

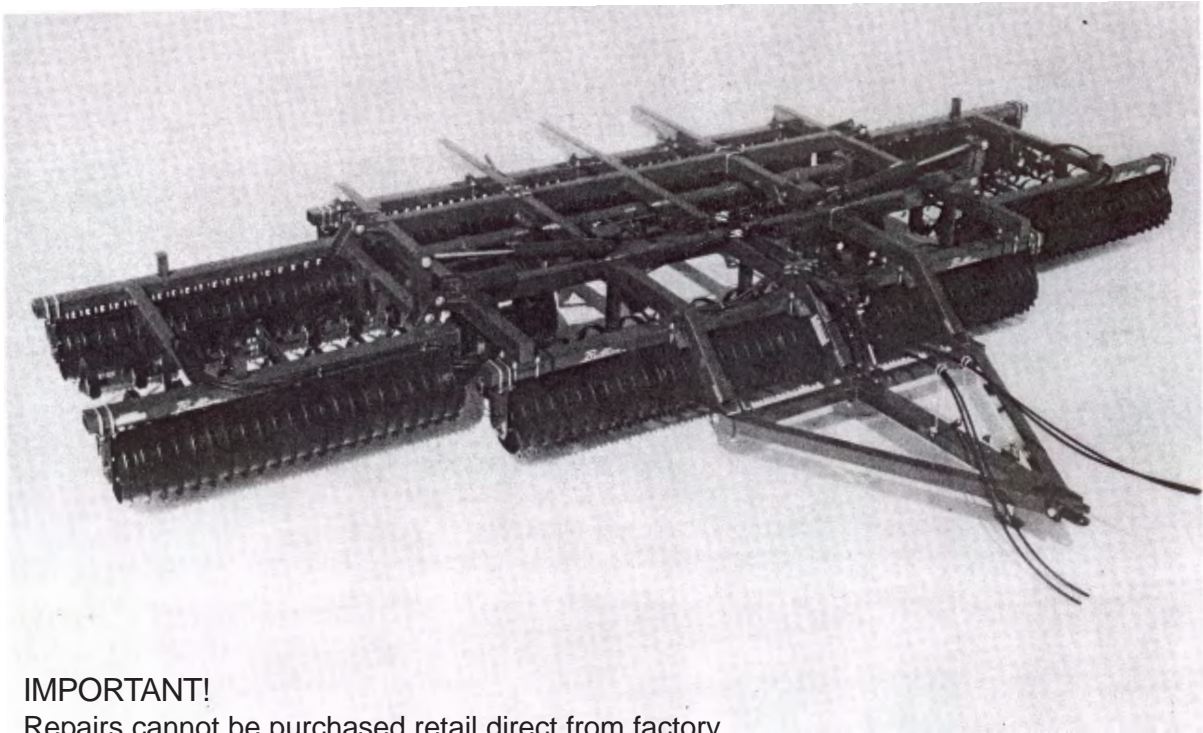
REPAIR PARTS CATALOG

Brillion

WL360 FOLDING PULVI-MULCHER

30' ROLLING WIDTH

MODELS: WL360 WLS360
WL360-I WLS360-I



IMPORTANT!

Repairs cannot be purchased retail direct from factory.
Order through your Brillion dealer.

BRILLION IRON WORKS, INC.

1289rev4-8-08

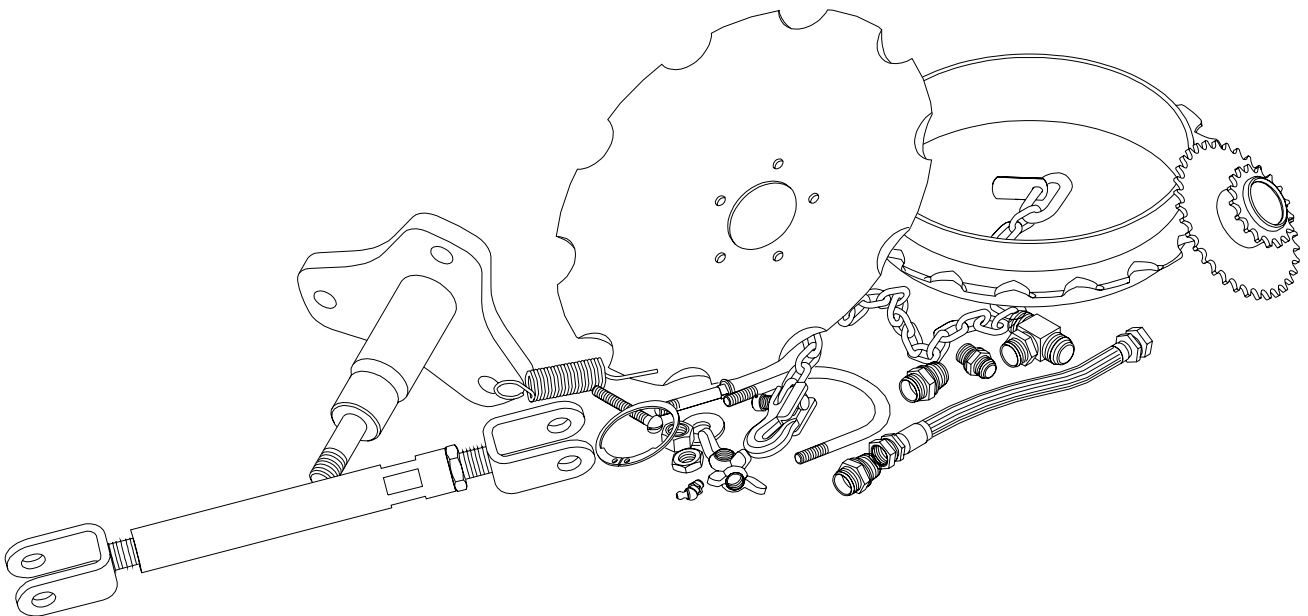
BRILLION, WISCONSIN 54110

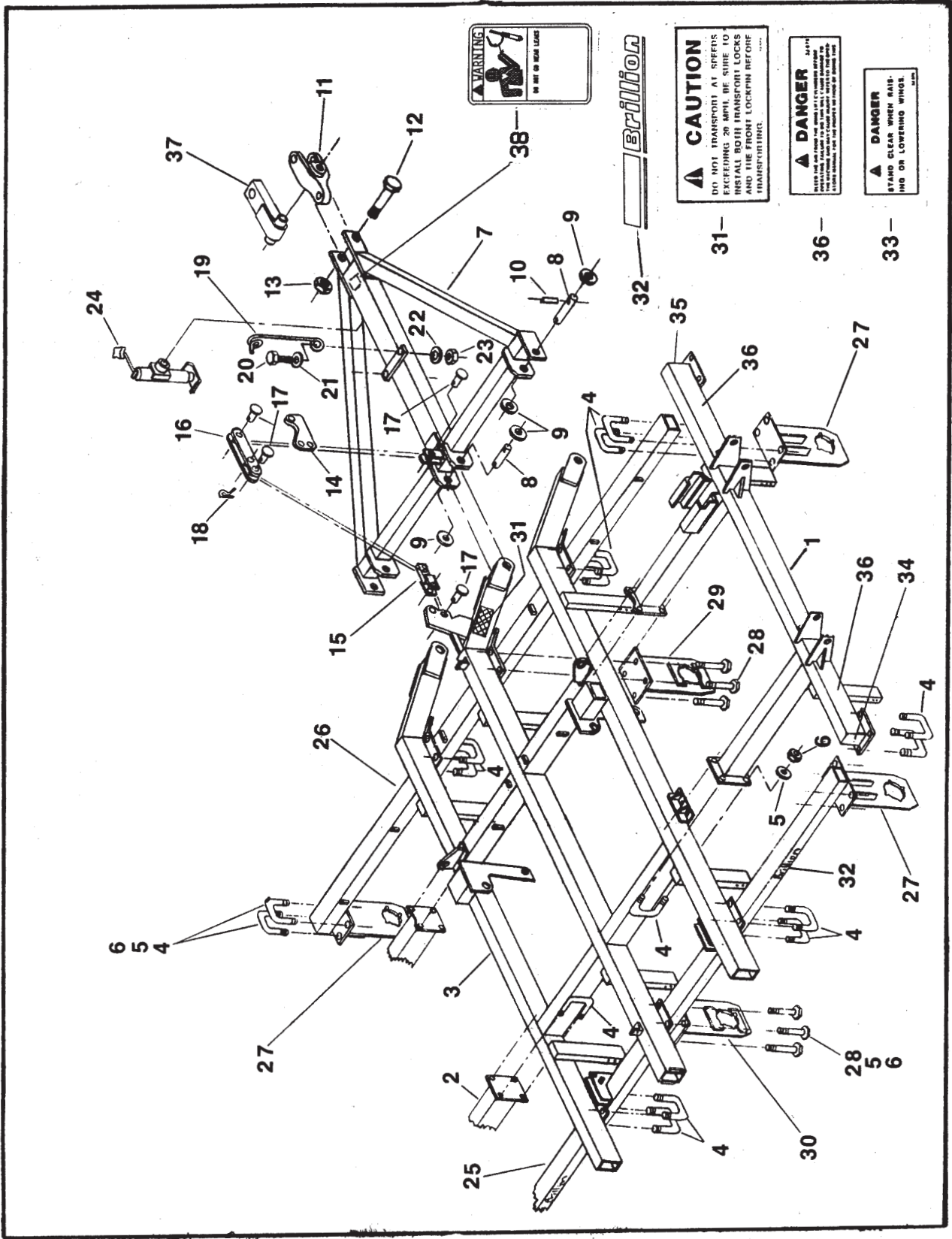
9J578

REPAIR PARTS

CONTENTS

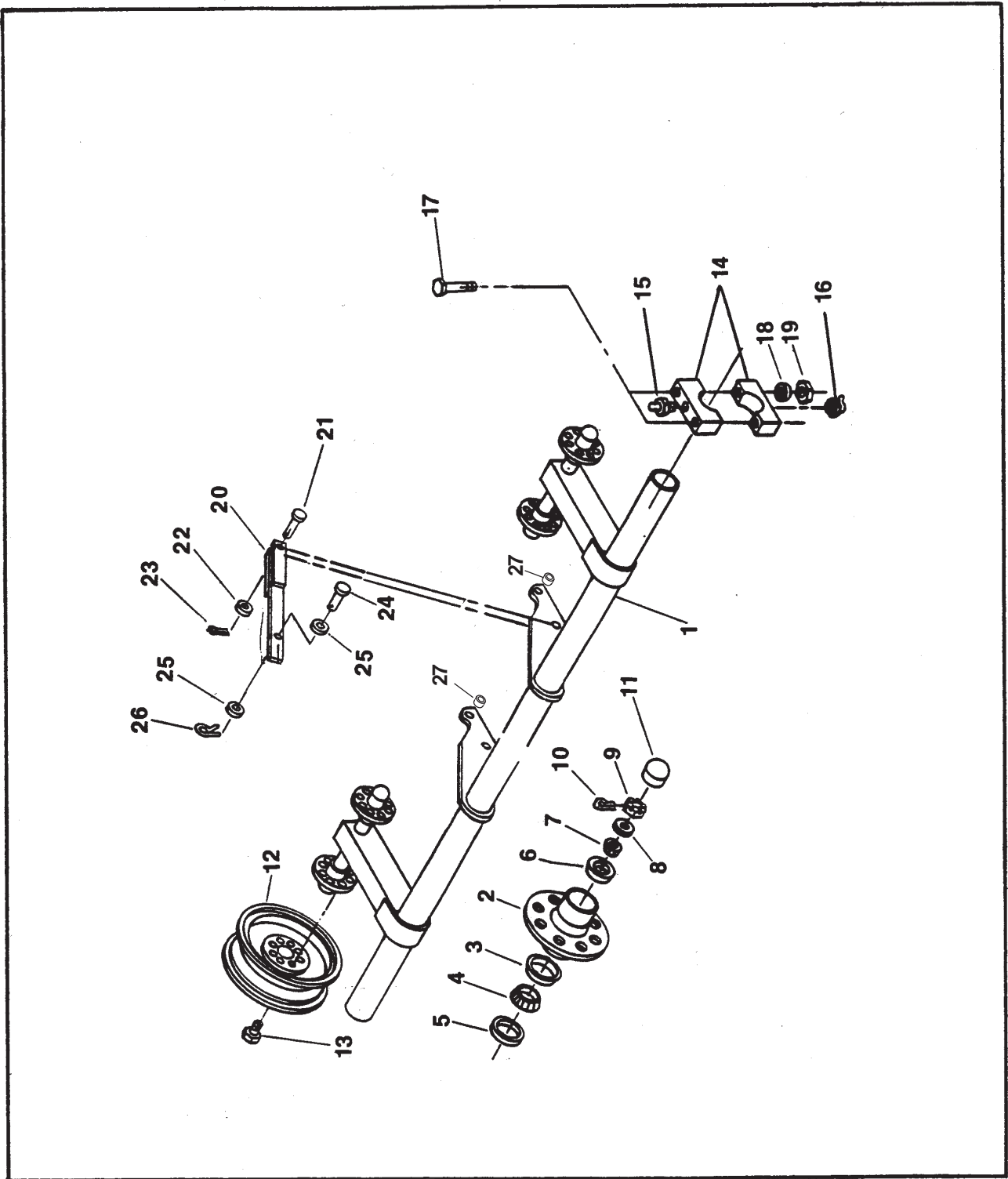
Drawbar & Frame Tubes	2, 3
Rockshaft	4, 5
Wheel & Wheel Assemblies	6, 7
Tooth Tube & Linkage Compnents	8, 9
Hydraulics	10, 11
Scrapers (Optional)	12
Rear Hitch Kit (Optional)	13
Land Leveler (Optional)	14
Ratchet Jack Kit (Optional)	15
Hydraulic Cylinder Componenets	16-19
Index	20





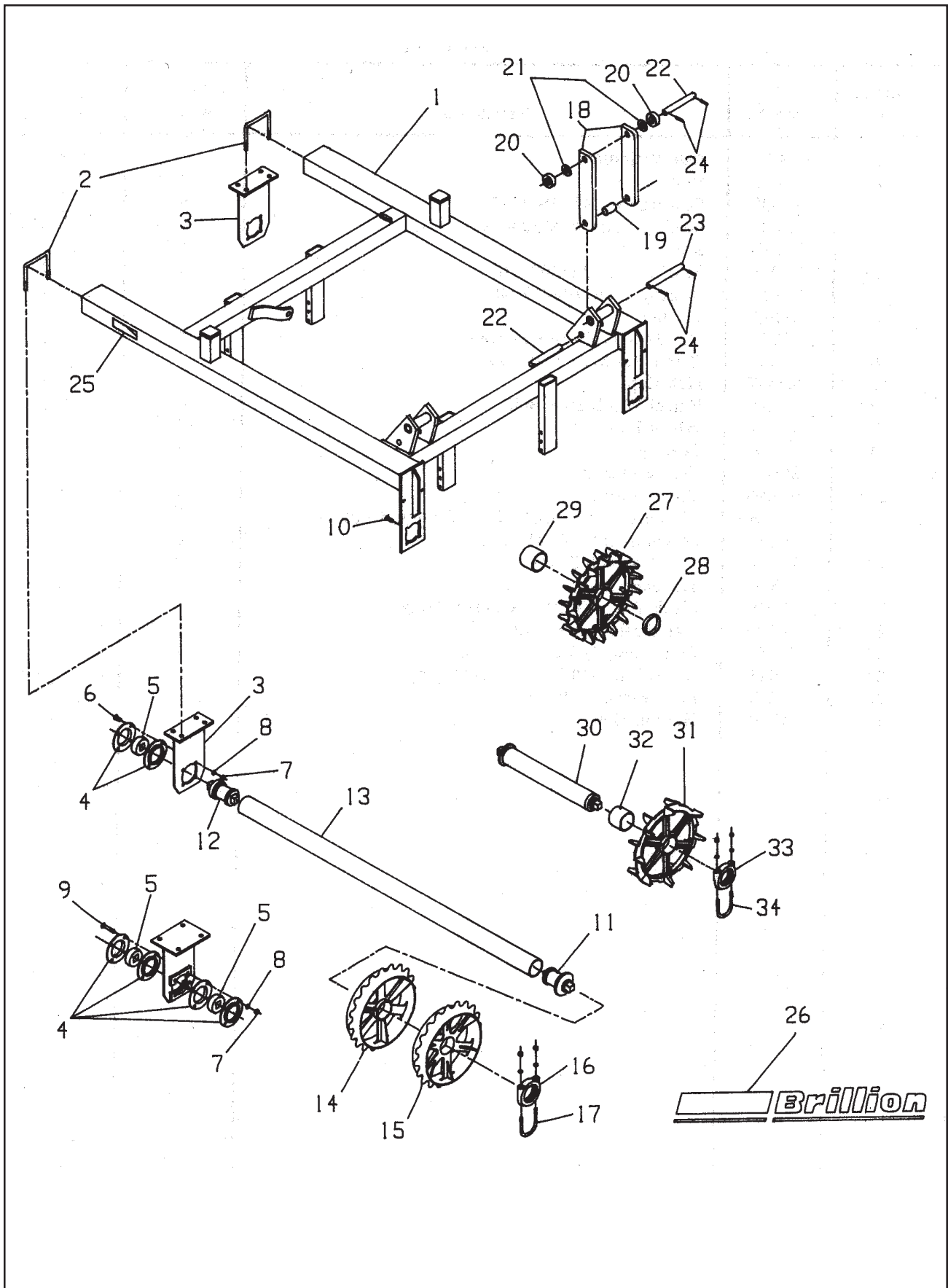
DRAWBAR AND FRAME TUBES

<u>Index No.</u>	<u>Part No.</u>	<u>Description</u>	<u>No. Used</u>	<u>Weight</u>
1	9J534	R.H. Frame Tube	1	443.4
2	9J533	L.H. Frame Tube	1	443.4
3	9J540	Center Frame Section	1	1162.6
4	3J450	U-Bolt, 3/4"	32	1.8
5	1C211	Lockwasher, 3/4" Med.	72	-
6	1C210	Nut, 3/4-10 NC Hex	72	.11
7	9J497	Drawbar	1	522.5
8	3J496	Pin, 1-1/4" Dia., x 8-3/4" Long	3	3.0
9	6C406	Washer 1-1/4" S.A.E.	6	.1
10	4C858	Roll Pin 5/16 x 2" Long	6	-
11	2J858	Hitch	1	29.0
12	3J607	Machine Bolt, 1-1/4 - 7 NC x 9-1/2" Long, Grade 5	1	3.78
13	2J783	Locknut 1-1/4 - 7 NC Hex w/ Nylon Insert	1	.47
14	3J513	Float Link	1	8.2
15	3J508	Tie Bar	1	6.3
16	3J509	Side Plate	2	3.6
17	8D099	Clevis Pin 1" x 2-1/2" Long	5	.6
	1C787	Flat Washer, 1" Std.	5	.19
	1C788	Cotter Pin 3/16 x 1-1/2" Long	4	-
18	1D594	Hairpin Cotter	1	.06
19	6D333	Hose Support	2	1.8
20	5C460	Capscrew, 5/8-11 NC x 2" Long, Grade 5	2	.23
21	1C122	Flat Washer, 5/8" Std.	2	-
22	1B166	Lockwasher, 5/8" Med.	2	-
23	1C392	Nut, 5/8-11 NC Hex	2	.10
24	3J881	Jack	1	19.0
	6K458	Replacement Pin, 9/16" with chain & screw	1	.36
25	9J557	Frame Tube, Rear	1	269.0
26	9J555	Frame Tube, Front	1	246.4
27	9J561	End Bracket	4	21.64
28	9D509	Capscrew, 3/4-10 NC x 6-1/2" Long, Grade 5	8	.88
29	9J567	Center Bracket, Front	1	29.47
30	9J569	Center Bracket, Rear	1	29.47
31	3J684	"Caution" Decal	2	-
32	4K036	BRILLION Decal	6	-
33	3J678	"Danger" Decal	1	-
34	2J430	Decal - Red	2	-
35	2J431	Decal - Amber	2	-
36	3J675	"Danger" Decal	4	-
37	3K959	Hitch (Optional)	1	28.0
38	3K706	Decal, Hydraulic Leaks Warning	1	-



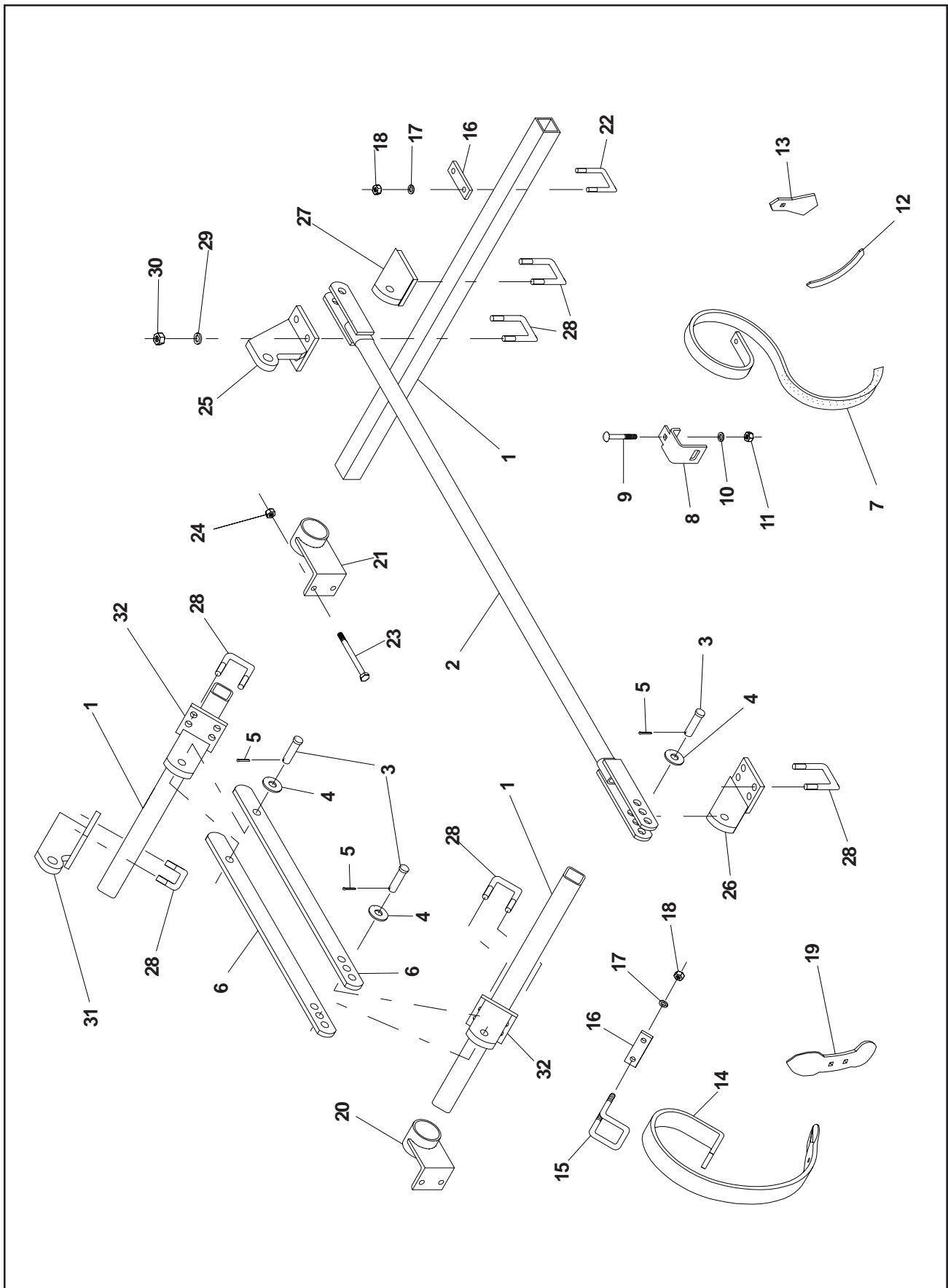
ROCKSHAFT

Index No.	Part No.	Description	No. Used	Weight
1	3J402	Axle Weldment	1	688.0
2	3J394	Hub w/ grease zerk, 8 bolt	4	21.5
3	3D532	Bearing Cup #LM603011	4	.5
4	3D531	Bearing Cone #LM603049	4	.25
5	3J396	Seal	4	.1
6	5C914	Bearing Cup #LM67010	4	.2
7	5C913	Bearing Cone #LM67048	4	.2
8	3J397	Washer	4	-
9	3C173	Nut 3/4-16 NF Hex Slotted	4	.1
10	3C350	Cotter Pin 5/32 x 1" Long	4	-
11	6D337	Hub Cap	4	.8
12	3J604	Wheel W10L-16 8 Bolt	4	41.5
13	3J609	Wheel Bolt	32	.16
14	3J598	Bearing	8	11.0
15	2C643	Grease Fitting	4	-
16	9D693	Grease Fitting	4	-
17	3J578	Machine Bolt, 3/4-10 NC x 9" Long, Grade 5	8	1.19
18	1C211	Lockwasher, 3/4" Med.	8	0
19	1C210	Nut 3/4-10 NC Hex	8	.11
20	3J566	Transport Lock	2	25.9
21	4D198	Clevis Pin, 3/4" Dia. x 2-3/4" Long	2	.38
22	1C133	Flat Washer, 3/4" Std.	2	-
23	2C298	Cotter Pin, 1/8 x 1-1/4" Long	2	-
24	9J043	Clevis Pin, 5/8 Dia. x 2-1/4" Long	2	.22
25	1C122	Flat Washer 5/8" Std.	4	-
26	4C856	Hairpin Cotter	2	-
27	1K892	Bushing	2	1.30

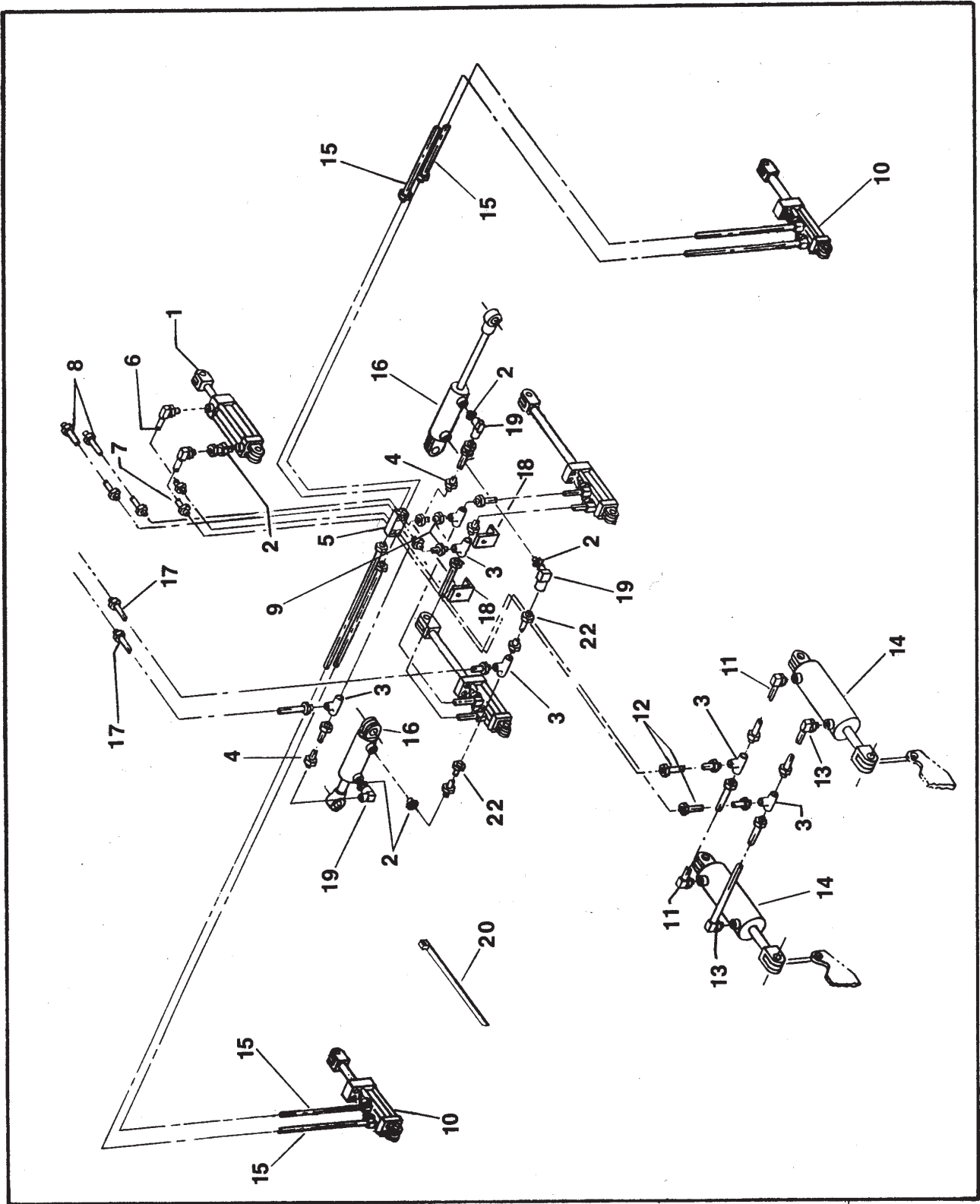


WING AND WHEEL ASSEMBLIES

Index No.	Part No.	Description	No. Used	Weight
1	9J525	L.H. Wing Assembly	1	556.4
	9J526	R.H. Wing Assembly	1	556.4
2	3J450	U-Bolt, 3/4"	8	1.8
	1C211	Lockwasher, 3/4" Med.	16	-
	1C210	Nut, 3/4-10 NC Hex	16	.11
3	9J561	End Bracket	4	21.64
4	3J132	Bearing Flange	32	.7
5	3J131	Bearing	16	2.8
6	9J559	Carriage Bolt, 1/2-13 NC x 1-1/2, Grade 5	32	.12
7	1C390	Nut, 1/2-13 NC Hex	72	-
8	1C109	Lockwasher, 1/2" Med.	72	-
9	9J570	Carriage Bolt, 1/2-13 NC x 3-1/4", Grade 5	8	.2
10	9J852	Carriage Bolt, 1/2-13 NC x 2-1/4", Grade 5	16	.13
11	9J502	Stub Shaft Mounting	8	11.0
12	9J503	Stub Shaft Mounting	8	10.0
13	9J511	Pipe Axle Assembly	1	88.93
	9J512	Pipe Axle Assembly	7	85.9
14	8J001	Wheel		28.0
15	9J500	End Wheel		29.5
16	9C031	Axle Clamp	8	4.52
	2D535	Set Screw, 1/2" x 1-1/4"	16	.1
17	9D673	U-Bolt, 1/2"	8	.61
18	3J449	Link	4	21.6
19	3J533	Spacer	2	.5
20	3J512	Roller Assembly	4	1.6
21	6C406	Washer 1-1/4" S.A.E.	16	.1
22	3J496	Pin, 1-1/4" Dia. x 8-3/4" Long	4	3.0
23	3J497	Pin, 1-1/4" Dia. x 10" Long	4	3.5
24	4C858	Roll Pin, 5/16" x 2" Long	16	-
25	3J675	"Danger" Decal	4	-
26	4K036	BRILLION Decal	4	-
27	9J811	20" Crowfoot Wheel - Ductile		38.6
28	9J818	Spacer, 3/4" long		.52
29	9J819	Spacer, 3-9/16" long (Ref. 9J512)		2.47
	9J821	Spacer, 3-13/16" long (Ref. 9J511)		2.64
30	4K051	Pipe Axle Assembly [WRCS Model Only]	2	111.0
31	3K712	20" Crowfoot Wheel (8 Lug) [WRCS Model Only]	30	27.0
32	4K054	Spacer, 3-9/16" [WRCS Model Only]	28	2.86
33	A-87	Axle Clamp [WRCS Model Only]	2	4.3
34	1C290	U-Bolt	2	.5
	1C314	Lockwasher, 7/16" Med.	4	-
	1C179	Nut	4	-



TOOTH, TUBE AND LINKAGE COMPONENTS				
Index No.	Part No.	Description	No. Used	Weight
1	9J593	Tube, Center L.F., 82-3/16" Long	3	29.6
	9J594	Tube, Center R.F. 91-13/16" Long	1	33.1
	9J595	Tube, Center L.R./Wings, 83-13/16" Long	1	30.2
	9J596	Tube, Center R.R., 86-3/16" Long	1	31.0
	9J597	Tube, Wings, 88" Long	2	31.7
2	3J495	Link, Center	2	22.6
3	4D198	Clevis Pin, 3/4" Dia. x 2-3/4" Long	8	.38
4	1C133	Flat Washer, 3/4" Std.	8	-
5	2C298	Cotter Pin, 1/8" x 1-1/4" Long	8	-
6	3J493	Strap, Wings	4	7.8
		<u>S-Tine Group Before January, 1993:</u>		
7	1J887	S-Tine, 13/32" Thick	59	6.0
8	1J834	Clamp	59	.8
9	2J241	Carriage Bolt, 7/16 x 3-1/2", Grade 5	59	.2
10	1C314	Lockwasher, 7/16"	59	-
11	1D014	Stover Lock Nut, 7/16"	59	-
		<u>S-Tine Group After January, 1993:</u>		
7	5J609	S-Tine, 15/32" Thick		7.25
8	5J080	Clamp		.9
9	5J082	Carriage Bolt, 1/2-13 NC x 3 1/2", Gr. 5		-
10	1C109	Lock Washer, 1/2" Reg.		.01
11	5C392	Stover Nut, 1/2-13NC Hex		-
12	2J155	1-3/8" Reversible Point		.7
13	7D014	2-1/2" Duckfoot Point		.5
	7D728	Cultivator Bolt, 3/8 x 1-3/4"		.1
	5J616	Flange Lock Nut		-
14	9D662	C-Tooth	59	10.1
15	8J172	Tooth Clamp	59	.7
16	5C078	Clamp Strap	71	.7
17	1C109	Lockwasher, 1/2"	142	-
18	1C390	Nut, 1/2"	142	-
19	4D386	Shovel (used on worn 9D662)		1.1
	2C628	#3 Plow Bolt, 3/8 x 1-1/2"		.1
20	9J090	Bracket, C-Teeth (3 x 4 Angle)	18	2.9
21	9J091	Bracket, S-Tines (3 x 5 Angle)	18	3.3
22	5D921	U-Bolt, 1/2"	12	.5
23	5D142	Machine Bolt, 1/2-13 NC x 5" Long, Grade 5	36	.3
24	5C392	Stover Nut, 1/2-13 NC	36	-
25	9J609	Cylinder Arm (S-Tines)	4	6.8
26	9J610	L.H. Control Arm (S-Tines)	4	5.67
27	9J611	R.H. Control Arm (S-Tines_	4	5.67
28	2J094	U-Bolt, 5/8"	24	.8
29	1B166	Lockwasher, 5/8"	48	-
30	1C392	Nut, 5/8-11 NC Hex	48	.1
31	9J601	Cylinder Arm (C-Teeth)	4	7.76
32	9J602	Control Arm (C-Teeth)	8	6.38



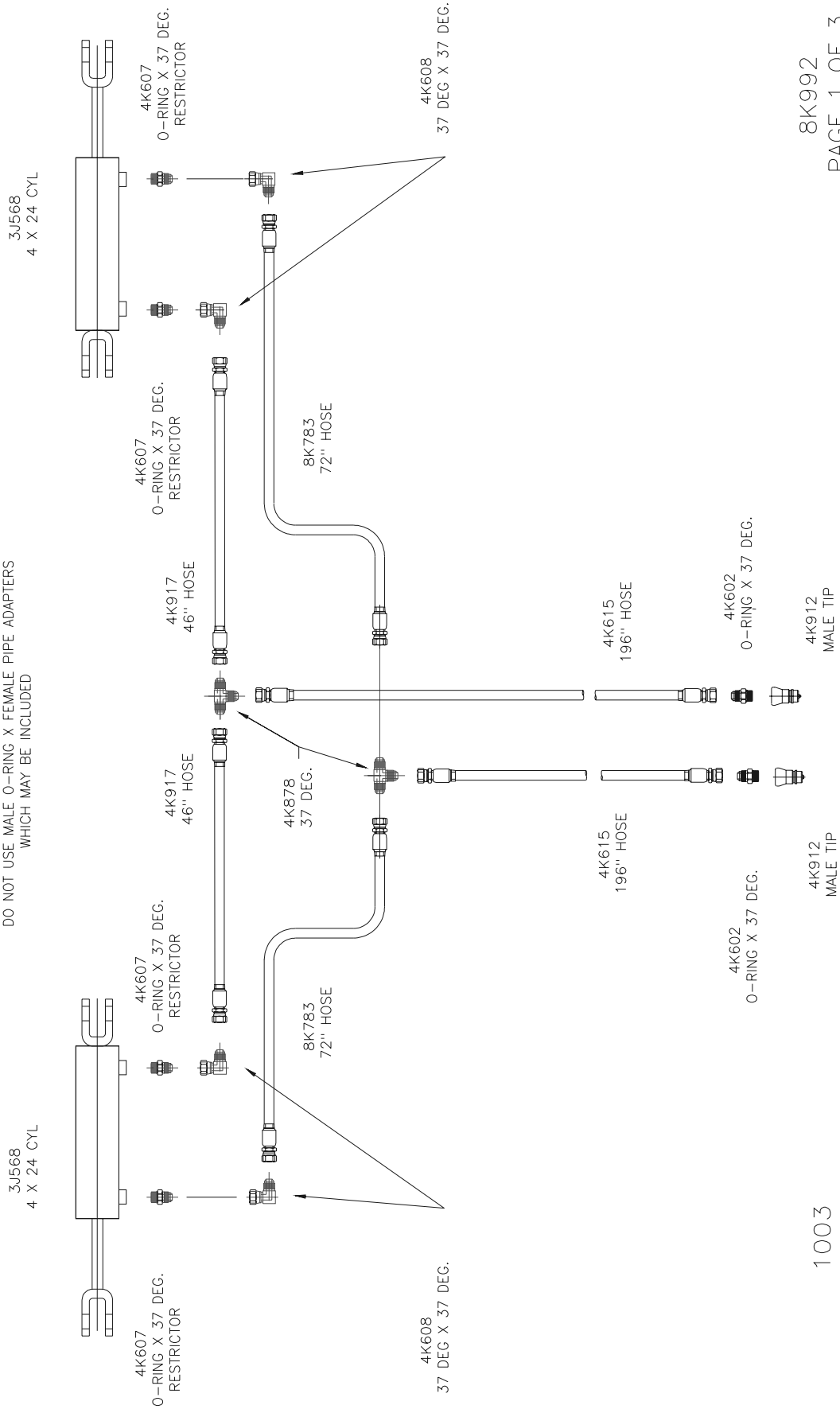
HYDRAULIC CYLINDERS, HOSES AND ACCESSORIES

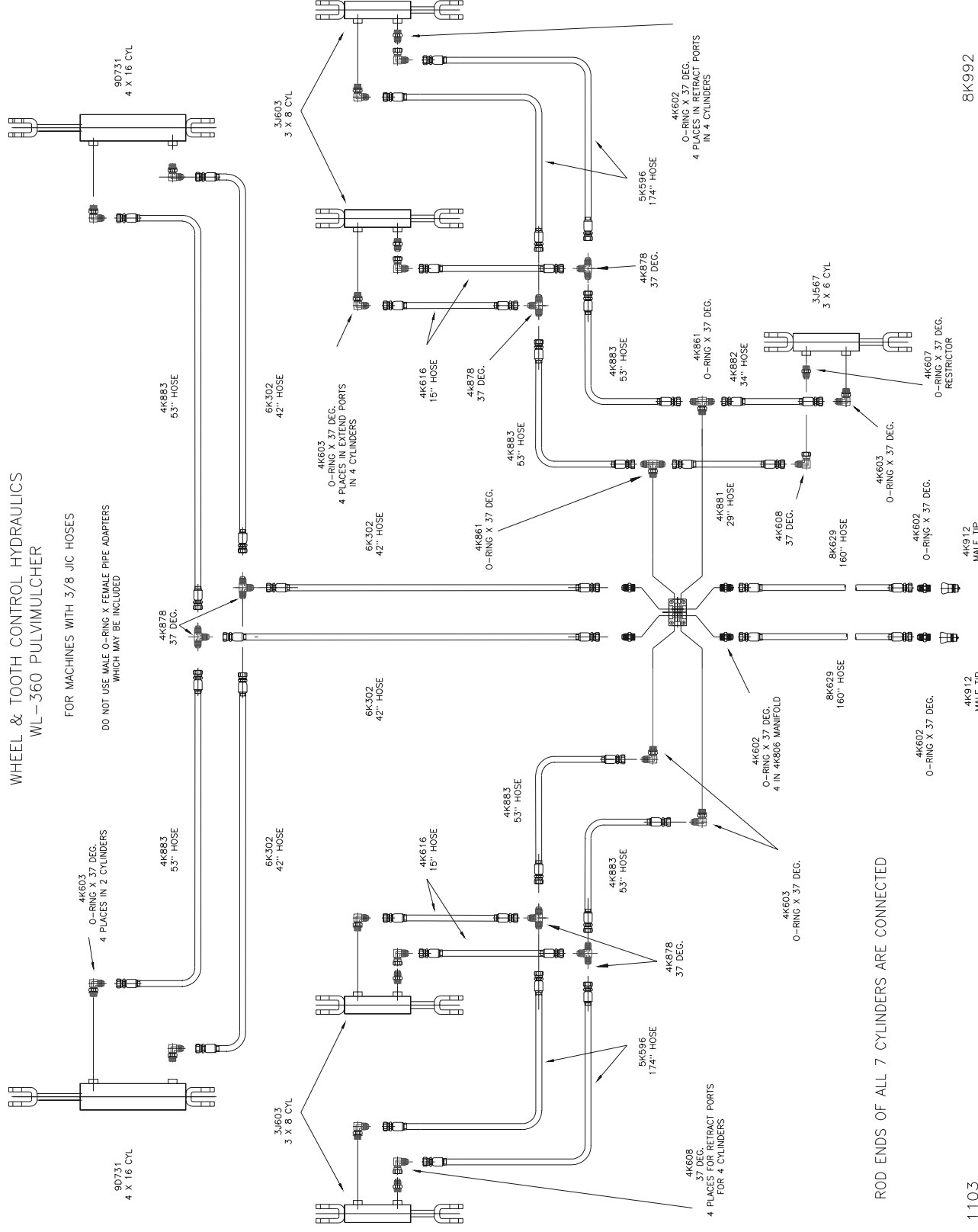
Index No.	Part No.	Description	No. Used	Weight
1	3J567	Hydraulic Cylinder, 3 x 6	1	28
2	6D716	Flow Restrictor	5	.3
3	4D982	T-Fitting	6	.3
4	3J538	Hydraulic Hose Assembly 73 1/2"	2	3.0
5	3J487	Manifold	1	9.0
*	7C876	Capscrew, 1/2-13 NC x 1" Long	2	.1
*	1C109	Lockwasher, 1/2" Med.	2	-
6	2J863	Hydraulic Hose Assembly 38"	1	1.9
7	3J545	Hydraulic Hose Assembly 30" One 90° Fitting	1	1.7
8	3J547	Hydraulic Hose Assembly 160" to Tractor	2	6.2
9	3J540	Hydraulic Hose Assembly 27" Two Straight Fittings	2	1.4
10	3J603	Hydraulic Cylinder, 3 x 8	4	35.0
11	3J543	Hydraulic Hose Assembly 42" One 90° Fitting	6	2.8
12	3J541	Hydraulic Hose Assembly 42" Two Straight Fittings	2	2.8
13	2J527	Hydraulic Hose Assembly 54"	2	3.0
14	9D731	Hydraulic Cylinder, 4 x 16	2	58.0
15	3J542	Hydraulic Hose Assembly 210"	4	8.1
16	3J568	Hydraulic Cylinder, 4 x 24	2	61.0
17	3J548	Hydraulic Hose Assembly 200" to Tractor	2	7.7
18	5J771	Clamp	2	.91
*	6D037	Capscrew, 5/16-18 NC x 1" Long	4	-
*	1C385	Nut, 5/16-18 NC Hex	2	-
19	1J131	90° Swivel Fitting	4	.3
20	3J615	Cable Tie	8	-
--	--	----	--	--
*	3J614	Hose Clamp	38	-
*	1C237	Capscrew, 5/16-18 NC x 3/4" Long	17	-
*	1C362	Lockwasher, 5/16 Med.	21	-
22	3J539	Hydraulic Hose Assembly 46 1/2"	2	3.0
		* = Not Shown		

WING FOLD HYDRAULICS
WL-360 PULVIMULCHER

FOR MACHINES WITH 3/8 JIC HOSES

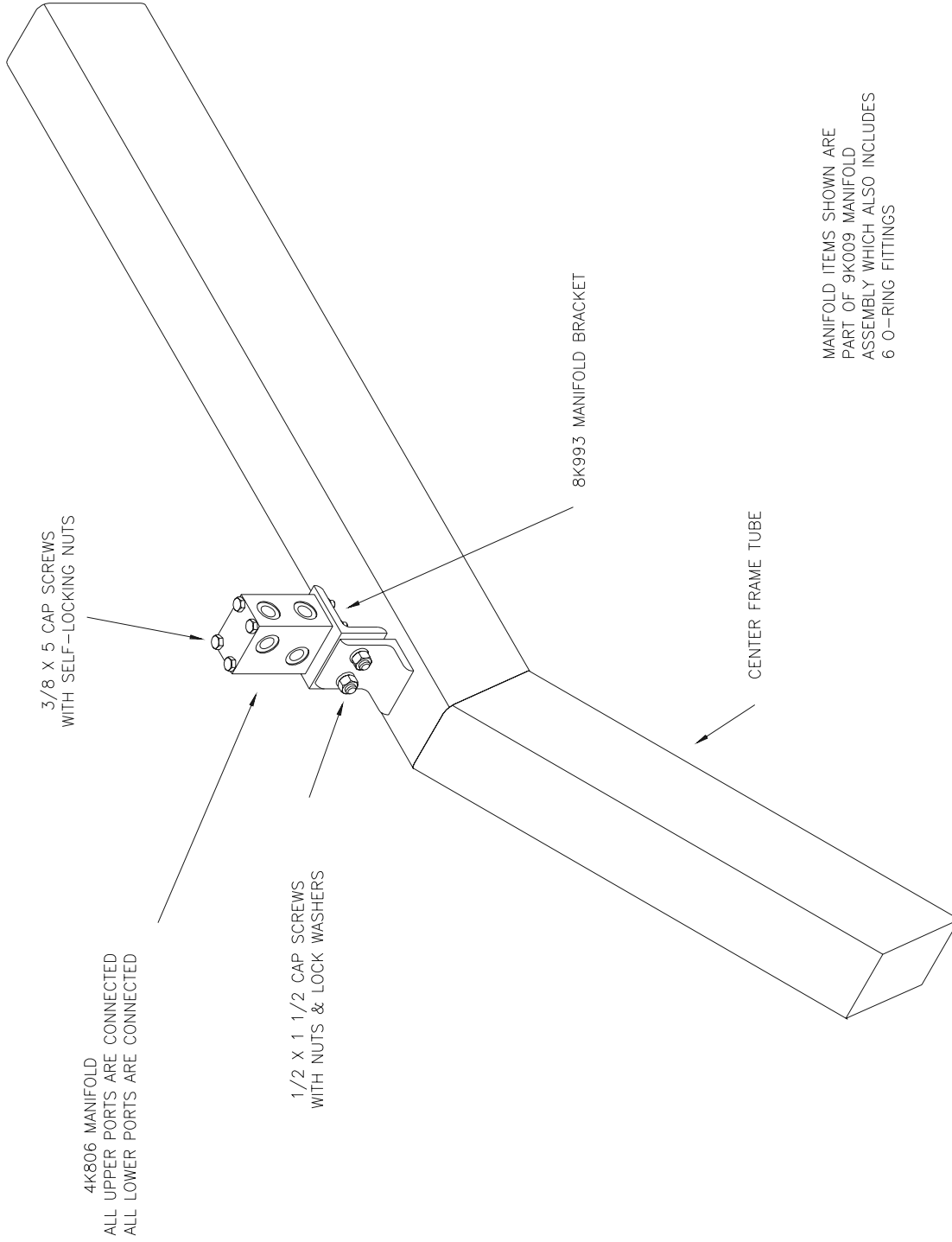
DO NOT USE MALE O-RING X FEMALE PIPE ADAPTERS
WHICH MAY BE INCLUDED





WHEEL & TOOTH CONTROL HYDRAULICS
WL-360 PULVIMULCHER

FOR MACHINES WITH 3/8" JIC HOSES



4K806 MANIFOLD

ALL UPPER PORTS ARE CONNECTED
ALL LOWER PORTS ARE CONNECTED

3/8 X 5 CAP SCREWS
WITH SELF-LOCKING NUTS

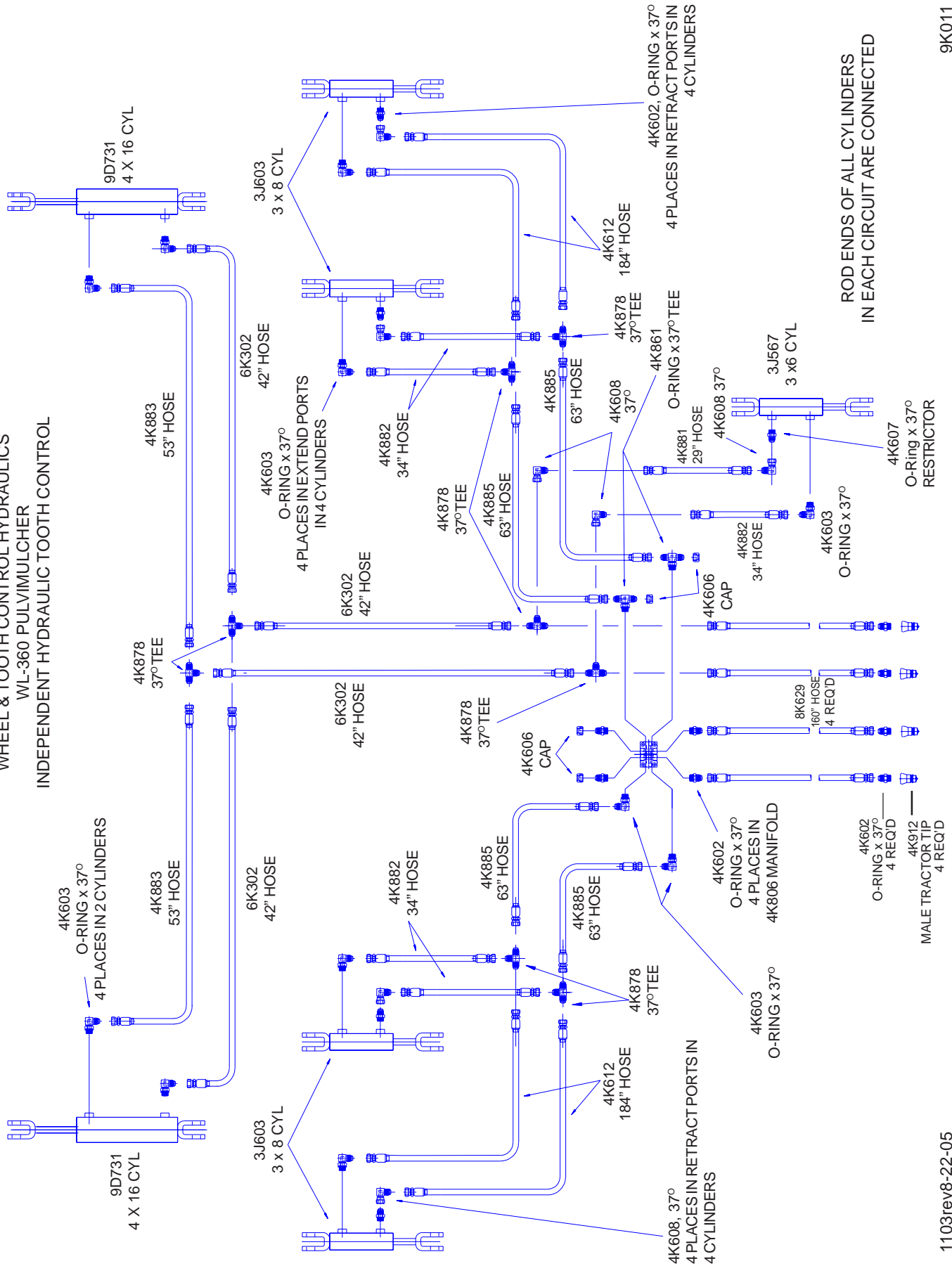
1/2 X 1 1/2 CAP SCREWS
WITH NUTS & LOCK WASHERS

8K993 MANIFOLD BRACKET

CENTER FRAME TUBE

MANIFOLD ITEMS SHOWN ARE
PART OF 9K009 MANIFOLD
ASSEMBLY WHICH ALSO INCLUDES
6 O-RING FITTINGS

WHEEL & TOOTH CONTROL HYDRAULICS
 WL-360 PULVIMULCHER
 INDEPENDENT HYDRAULIC TOOTH CONTROL



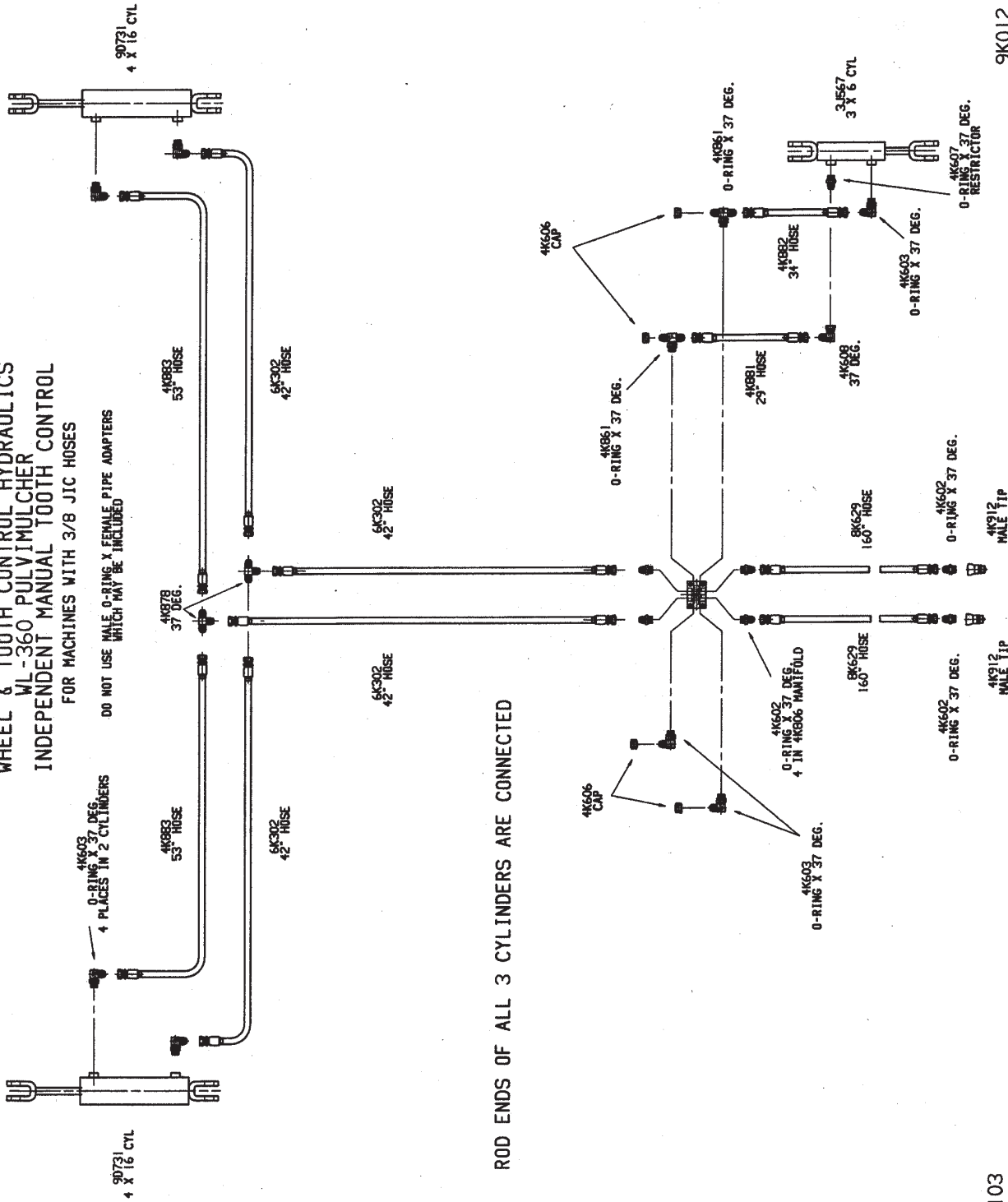
ROD ENDS OF ALL CYLINDERS
 IN EACH CIRCUIT ARE CONNECTED

4K607
 O-Ring x 37°
 RESTRICTOR

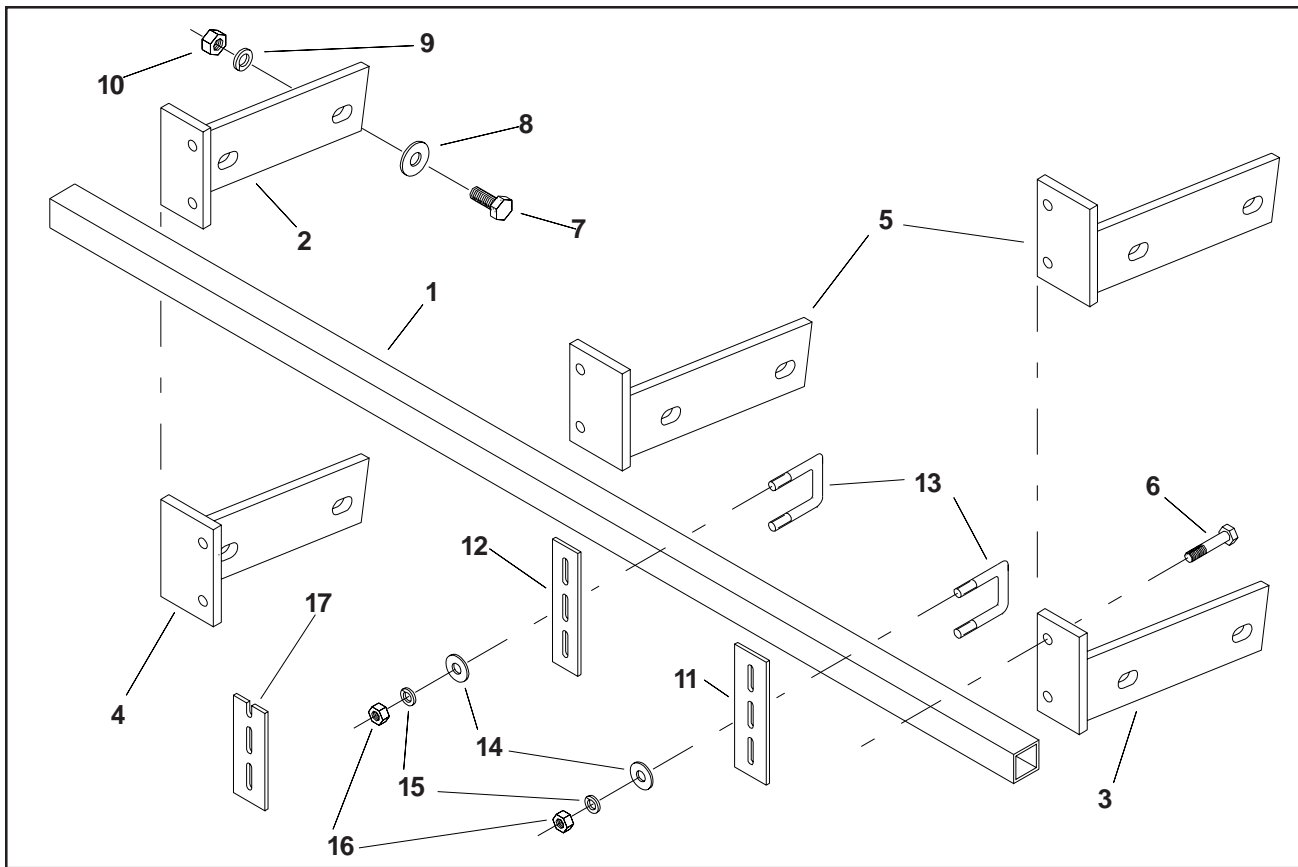
8K629
 160\"/>

MALE TRACTOR TIP
 4 REQD

WHEEL & TOOTH CONTROL HYDRAULICS
 WL-360 PULVIMULCHER
 INDEPENDENT MANUAL TOOTH CONTROL
 FOR MACHINES WITH 3/8 JIC HOSES

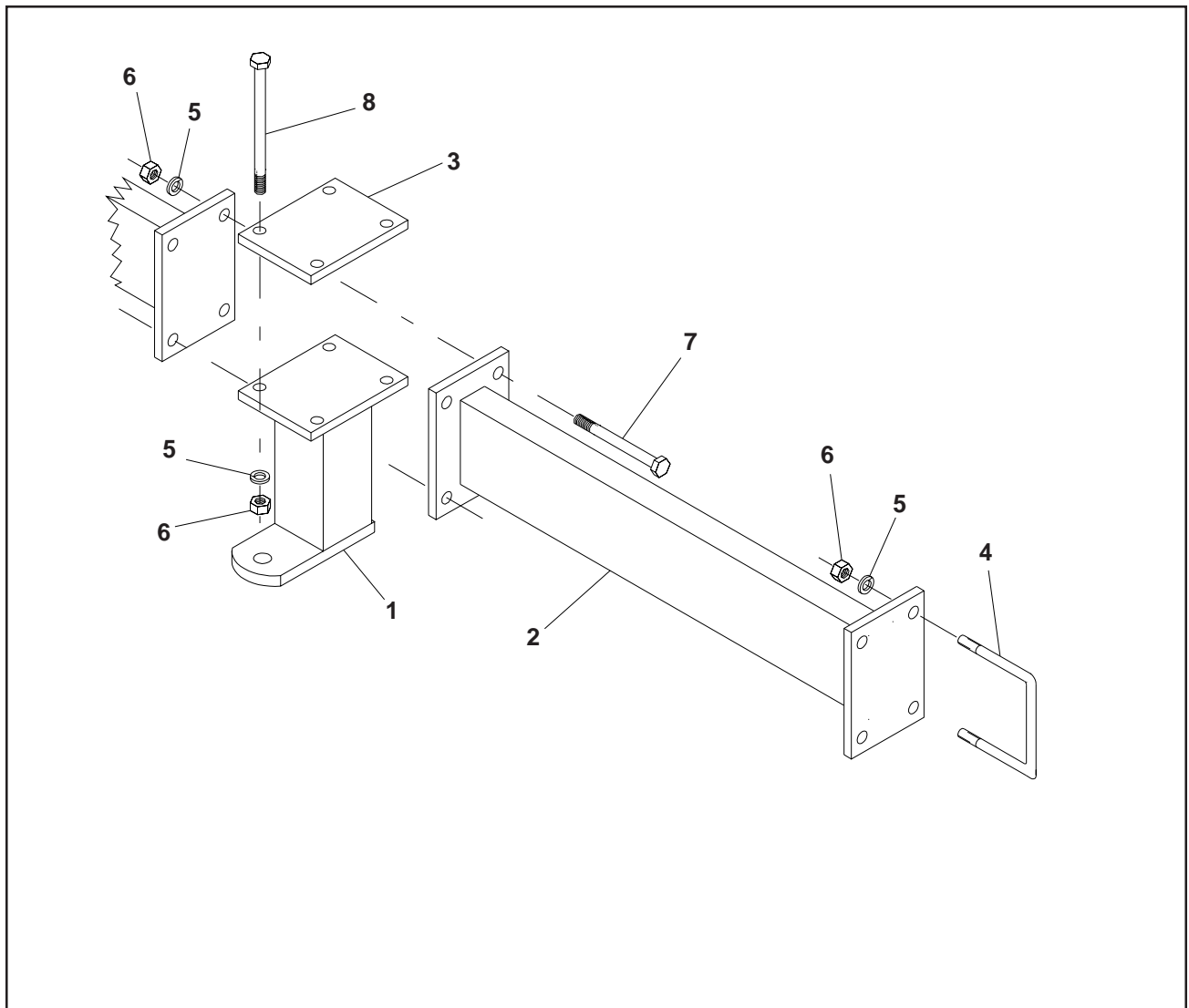


This Page Left Blank Intentionally



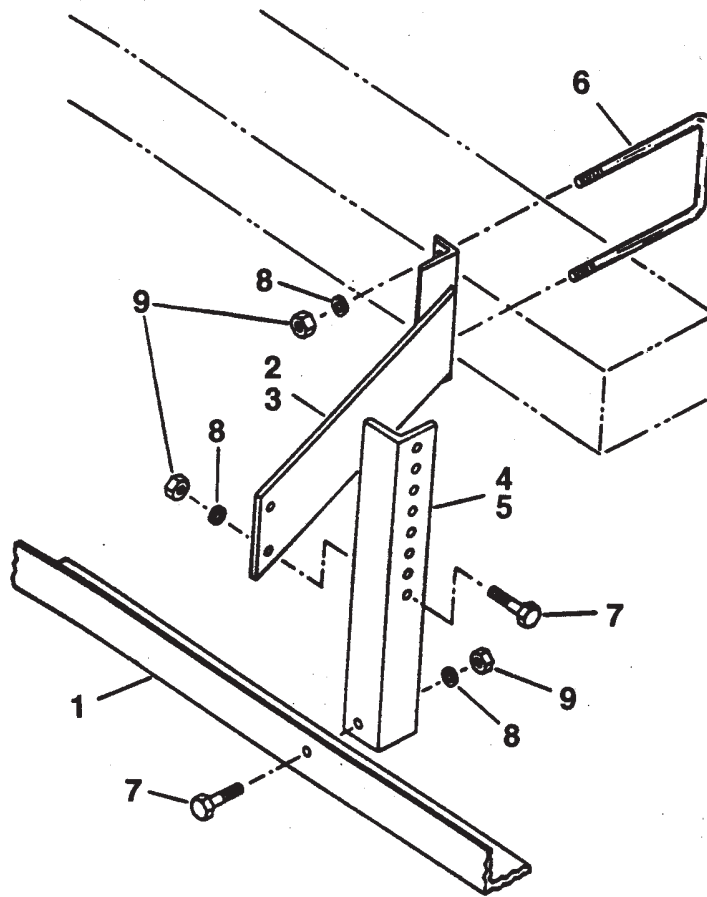
SCRAPERS

Index No.	Part No.	Description	No. Used	Weight
1	8J034	Scraper Tube, Center	1	47.3
	9J579	Scraper Tube, Wings	2	22.9
2	9J581	L.H. Scraper Bracket	3	3.14
3	9J582	R.H. Scraper Bracket	3	3.14
4	9J583	L.H. Scraper Bracket (Front, Center) (Optional)	1	3.37
5	9J584	Scraper Bracket (Rear Center)	1	3.37
6	6D065	Capscrew, 3/8-16 X 3-1/2 Long, Grade 5	14	.12
7	1C216	Capscrew, 1/2-13 x 1-3/4" Long	14	.13
8	1C120	Flat Washer, 1/2" Std.	14	-
9	1C109	Lockwasher, 1/2"	14	-
10	1C390	Nut, 1/2"	14	-
11	8J014	Scraper	45	1.3
12	9J588	Scraper	8	.92
13	8J015	U-Bolt, 3/8"	86	1.4
14	1C182	Flat Washer, 3/8" Std.	186	-
15	1C183	Lockwasher, 3/8"	186	-
16	1C277	Nut, 3/8"	186	-
17	9J930	Scraper (Front) (Optional)	4	-



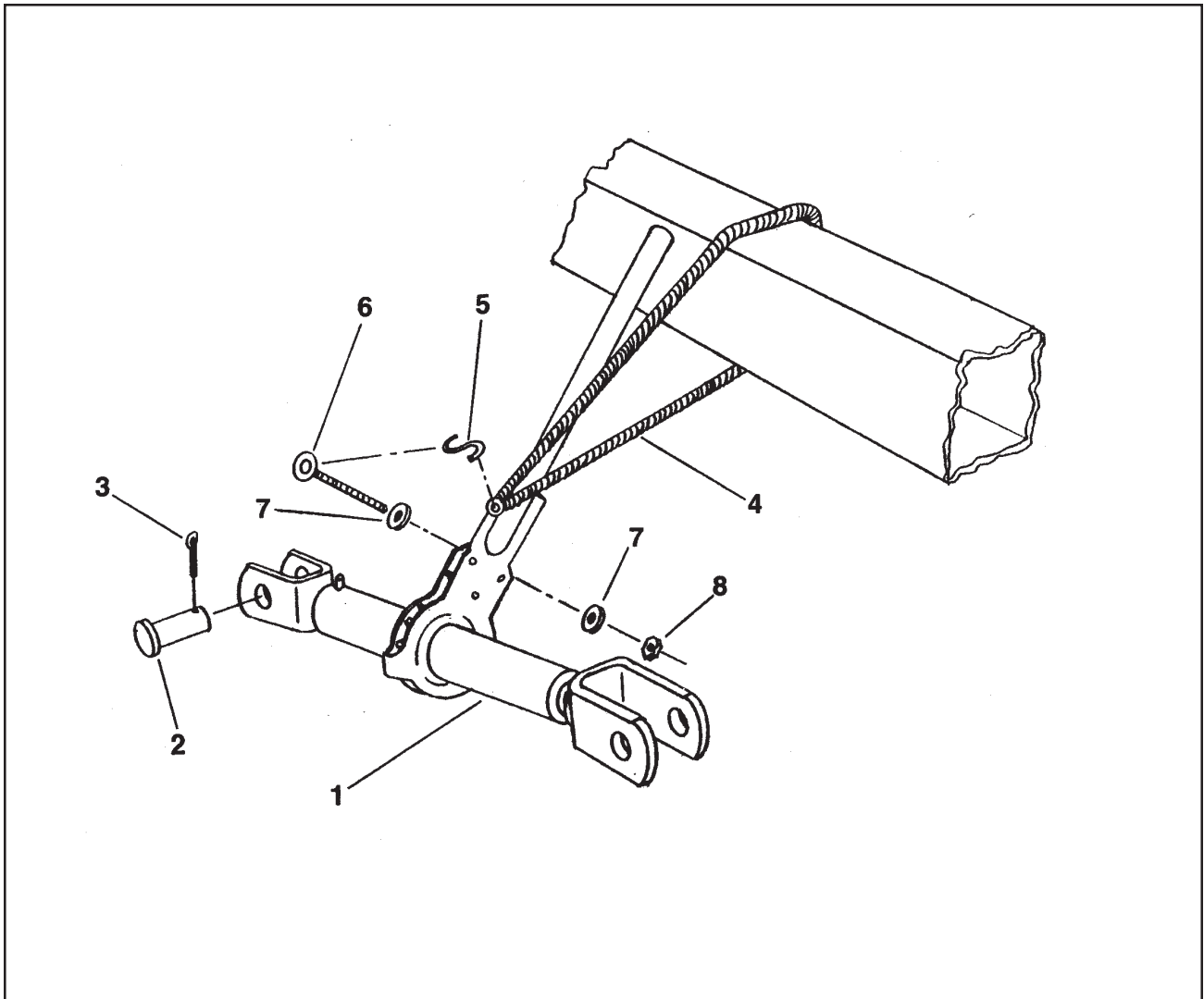
REAR HITCH KIT (OPTIONAL)

Index No.	Part No.	Description	No. Used	Weight
1	9J548	Hitch	1	25.0
2	3J481	Tube	2	53.5
3	2J847	Plate	1	8.5
4	3J450	U-Bolt, 3/4"	4	1.8
5	1C211	Lockwasher, 3/4"	16	-
6	1C210	Nut, 3/4"	16	.11
7	9D509	Capscrew, 3/4" x 6-1/2" Long, Grade 5	4	.88
8	3J578	Machine Bolt, 3/4" x 9" Long, Grade 5	4	.5



LAND LEVELER (OPTIONAL)

Index No.	Part No.	Description	No. Used	Weight
1	3J560	Leveler Angle, 91-1/4" (Center)	2	44.9
	3J559	Leveler Angle, 91-1/4" (Wings)	2	44.9
2	3J552	L.H. Bracket (shown)	6	9.6
*3	3J551	R.H. Bracket (opposite)	6	9.6
4	3J557	L.H. Adjusting Angle (shown)	6	5.8
*5	3J556	R.H. Adjusting Angle (opposite)	6	5.8
6	3J561	U-Bolt, 1/2"	12	.9
7	8C527	Capscrew, 1/2" x 1-1/2" Long, Grade 5	36	.1
8	1C109	Lockwasher, 1/2"	60	-
9	1C390	Nut, 1/2"	60	-
		* = Not Shown		



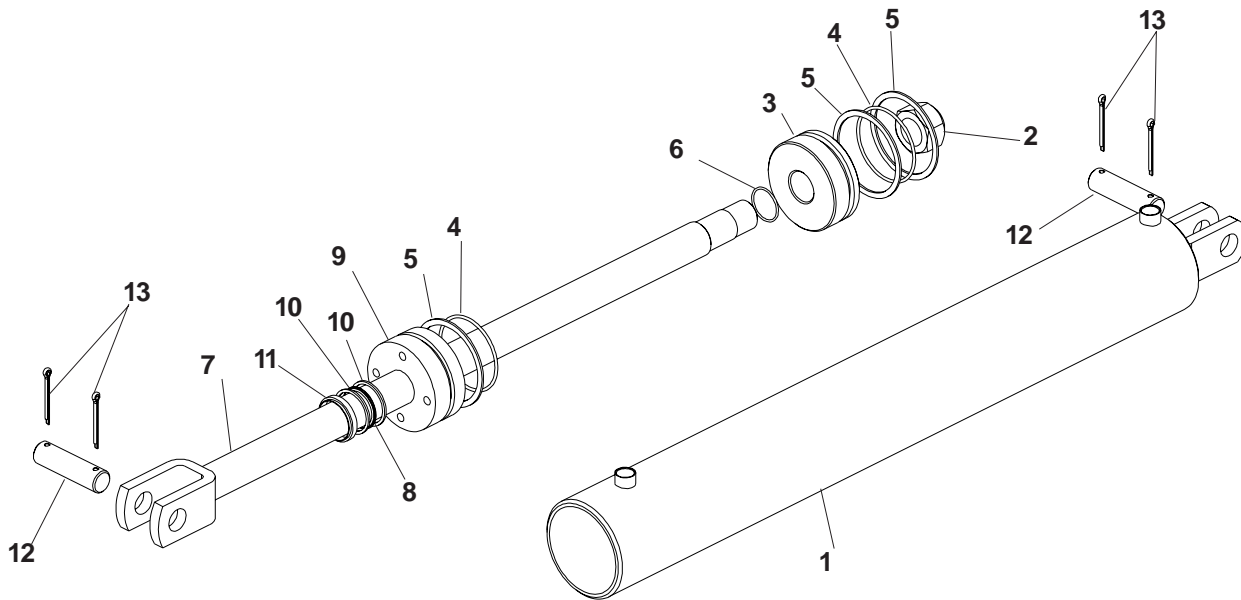
RATCHET JACK KIT (OPTIONAL)

Index No.	Part No.	Description	No. Used	Weight
1	7J237	Ratchet Jack	4	15.0
2	8D099	Clevis Pin	8	.6
3	6C468	Cotter Pin	8	-
4	8J675	Spring	2	.33
5	6J820	S-Hook	2	-
6	9J229	Eye Bolt, 1/4"	2	.2
7	1C370	Flat Washer	4	-
8	6J150	Flanged Nut, 1/4-20 NC	2	-
*9	5J234	Pipe Plug (for 3J487 Manifold)	6	.1
		* = Not Shown		

9D731 G Hydraulic Cylinder 4 x 16
 Hydraulic Gear #4016-01 Painted Black
 1-3/4" Dia. Rod, 26-1/4 Retracted, 42-1/4 Extended Length

<u>Item</u>	<u>Part No.</u>	<u>Description</u>	<u>Qty.</u>
1	1J952	Tube Assembly	1
2	1J951	Hex Nut 1-1/4-12 NF Lock	1
3	1J955	Piston	1
*4	NSS	O Ring	2
*5	NSS	Back-Up Ring	3
*6	NSS	Seal	1
7	1J954	Rod Assembly	1
*8	NSS	Rod Seal	1
9	1J953	Gland	1
*10	NSS	Back-Up Ring	2
*11	NSS	Wiper	1
12	5J650	Cylinder Pin	2
13	6C468	Cotter Pin, 3/16" x 2"	4
*	1J956	Seal Kit (Items marked "**")	

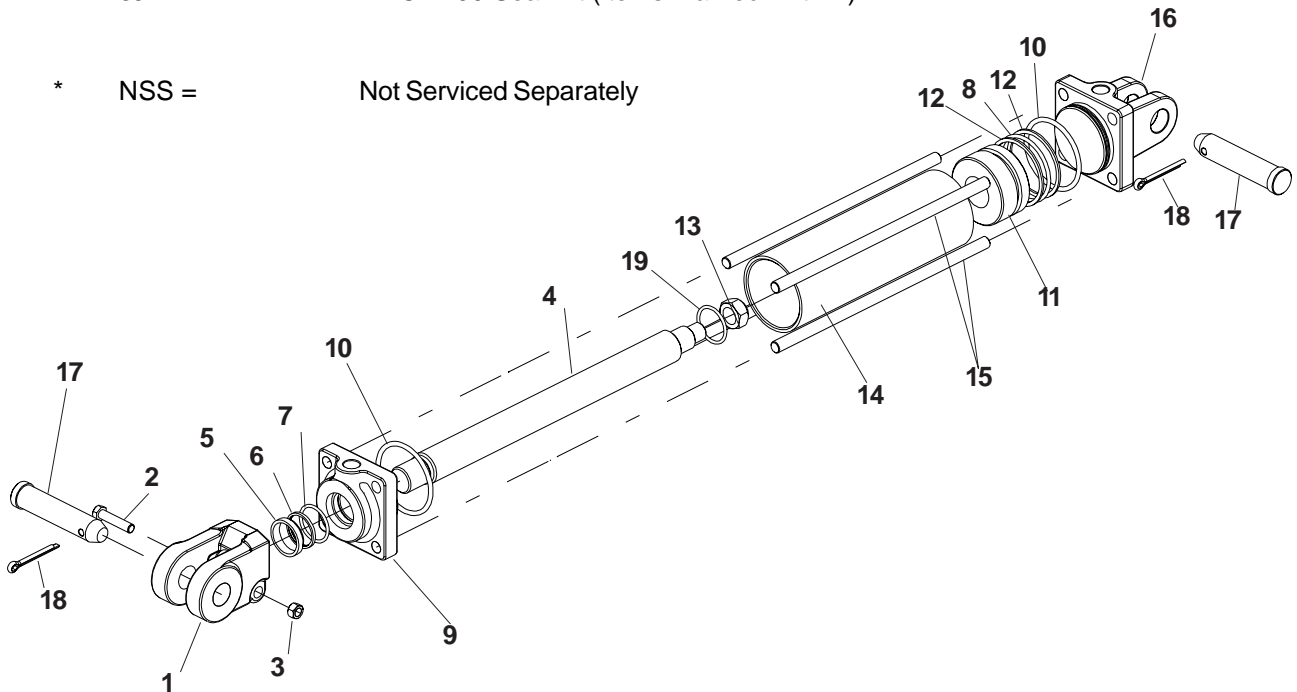
NSS = Not Serviced Separately



3J567P Hydraulic Cylinder, 3 x 6
 Prince #7106 Painted Black
 1 1/8" Rod Diameter; 16 1/4" Retracted, 22 1/4" Extended
 or
 1 3/8" Rod Diameter; 16 1/4" Retracted, 22 1/4" Extended

<u>Item</u>	<u>Part No.</u>	<u>Description</u>	<u>Qty.</u>
1	9D481	Rod End Clevis	1
2	8C036	Capscrew, 3/8-16 NC x 1 3/4" Long	1
3	5C954	Hex Nut, 3/8-16 NC, self-locking	1
4	3J706	Piston Rod (for cylinder w/ 1 1/8" dia. rod)	1
	7K933	Piston Rod (for cylinder w/ 1 3/8" dia. rod)	1
*5	NSS	Rod Wiper	1
*6	NSS	U-Cup	1
*7	NSS	O-Ring, Rod packing	1
*8	NSS	O-Ring, Piston	1
9	3J113	Head (for cylinder w/ 1 1/8" dia. rod)	1
	1J939	Head ((for cylinder w/ 1 3/8" dia. rod)	1
*10	NSS	O-Ring-End Cap	2
11	1J940	Piston	1
*12	NSS	Back Up Ring	2
13	6D918	Piston Nut, 3/4-16	1
14	3J707	Tube (for cylinder w/ 1 1/8" dia. rod)	1
	1J941	Tube (for cylinder w/ 1 3/8" dia. rod)	1
15	3J708	Tie Rod (for cylinder w/ 1 1/8" dia. rod)	4
	1J942	Tie Rod (for cylinder w/ 3 1/8" dia. rod)	1
16	1J943	Base	1
17	6D529	Clevis Pin	2
18	4C446	Cotter Pin	2
*19	NSS	O-Ring	1
*	3J117	PMC 7100 Seal Kit (items marked with *)	

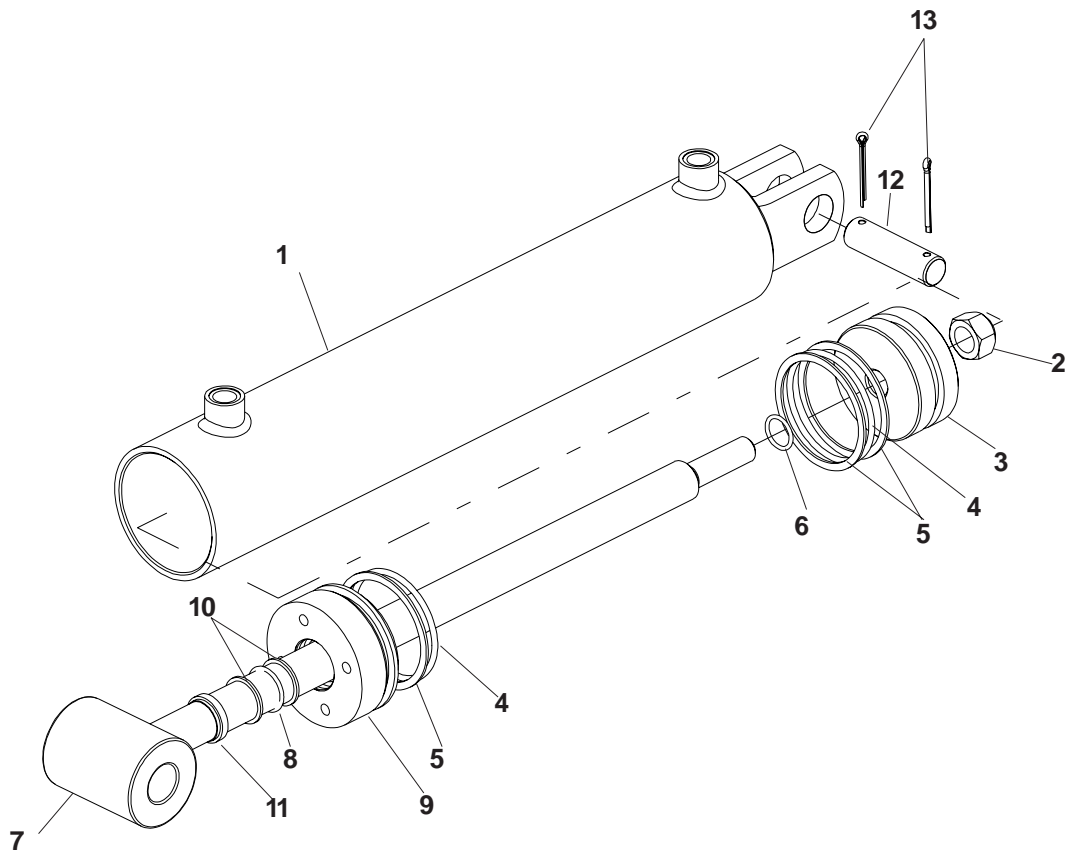
* NSS = Not Serviced Separately



3J568G Hydraulic Cylinder 4 x 24
 Hydraulic Gear #4024-01 Painted Black
 1-3/4" Dia. Rod, 34-1/4 Retracted, 58-1/4 Extended Length

<u>Item</u>	<u>Part No.</u>	<u>Description</u>	<u>Qty.</u>
1	3J769	Tube Assembly	1
2	1J951	Hex Nut 1-1/4-12 NF Lock	1
3	1J955	Piston	1
4	NSS	O Ring	2
5	NSS	Back-Up Ring	3
6	NSS	Seal	1
7	3J770	Rod Assembly	1
*8	NSS	Rod Seal	1
9	1J953	Packing Gland	1
*10	NSS	Back Up Ring	2
*11	NSS	Wiper	1
12	3J771	Cylinder Pin	1
13	1C869	Cotter Pin, 1/4 " x 2"	2
*	1J956	Seal Kit (Items marked "**")	

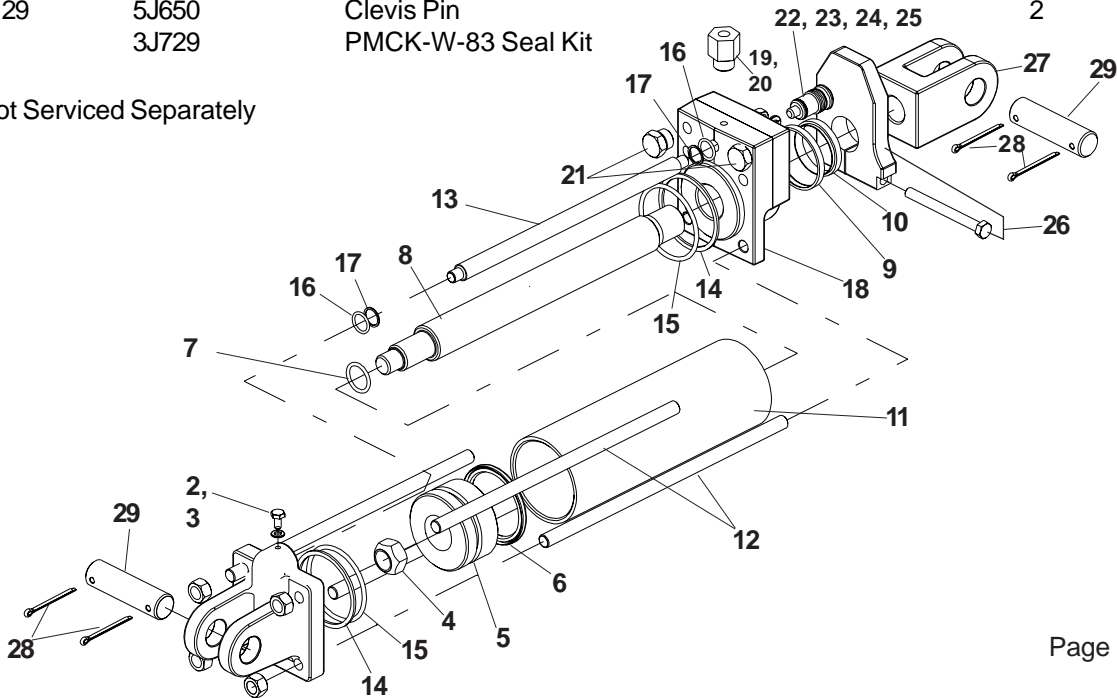
NSS = Not Serviced Separately



3J603P Hydraulic Cylinder, 3 x 8
 Prince # W83 Painted Black
 1 1/4" Rod Diameter; 20 1/4" Retracted, 28 1/4" Extended

Item	Part No.	Description	Qty.
1	3J727	Butt (base)	1
2	3J728	Nyltite Seal	1
3	3J730	Capscrew	1
4	6D918	Lock nut 3/4-16	1
5	3J725	Piston	1
6	NSS	Urethane Seal	1
7	NSS	O-Ring	1
8	3J718	Piston Rod	1
9	NSS	U-Cup	1
10	NSS	Wiper	1
11	3J719	Tube	1
12	3J721	Tie Rod	4
13	3J720	Manifold Tube	1
14	NSS	Back-up Washer	2
15	NSS	O-Ring	2
16	NSS	O-Ring	2
17	NSS	Back-up Washer	2
18	7J050	Gland (w/ Ports requiring O-Rings)	
	3J726	Gland (w/ Pipe Threads)	1
		When ordering this number, will also receive: (1) 7J050 (1) 7J024 (1) 7J026	
19	7J026	Adapter (minus O-Ring)	2
20	7J024	O-Ring (for 7J026 adapter)	3
21	7J025	Steel Plug, O-Ring type (w/out O-Ring)	1
22	9J638	Valve Assembly	1
23	NSS	O-Ring	1
24	NSS	O-Ring	1
25	NSS	Back-up Washer	1
26	9J804	Striker Plate (Includes 3/8" x 2 3/4" Sq. Hd. Bolt, Lock nut, and Washer	1
27	3J723	Clevis Assembly	1
28	6C468	Cotter Pin, 3/16 x 2	4
29	5J650	Clevis Pin	2
	3J729	PMCK-W-83 Seal Kit	

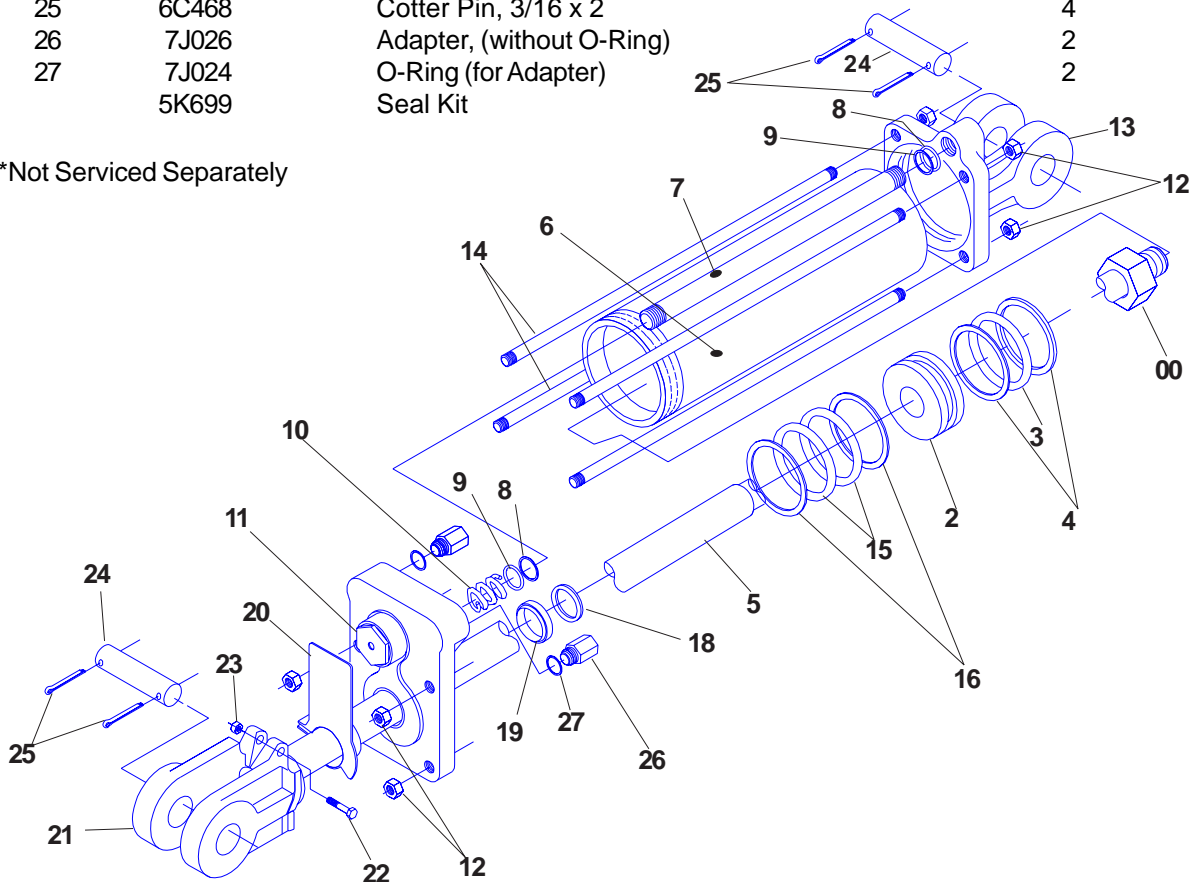
*Not Serviced Separately



3J603C Hydraulic Cylinder, 3 x 8
 Cross # DC0300-00800-0125-0305 65 Painted Black
 1 1/4" Rod Diameter; 20 1/4" Retracted, 28 1/4" Extended

<u>Item</u>	<u>Part No.</u>	<u>Description</u>	<u>Qty.</u>
1	5K684	Nut	1
2	5K685	Piston	1
*3	NSS	O-Ring	1
*4	NSS	Back-up Ring	2
5	5K686	Rod	1
6	5K687	Tube	1
7	5K688	Feed Tube	1
*8	NSS	Back-up Ring	2
*9	NSS	O-Ring	2
10	5K689	Spring	1
11	5K690	Cartridge Assembly	1
12	5K691	Nut	8
13	5K692	Base Clevis	1
14	5K693	Tie Rod	4
*15	NSS	O-Ring	2
*16	NSS	Back-up Ring	2
17	5K694	Head	1
*18	NSS	U-Cup	1
*19	NSS	Wiper	1
20	5K695	Actuator Assembly	1
21	5K696	Rod Clevis	1
22	5K697	Capscrew	1
23	5K698	Nut	1
24	7J067	Clevis Pin, 1 x 4	2
25	6C468	Cotter Pin, 3/16 x 2	4
26	7J026	Adapter, (without O-Ring)	2
27	7J024	O-Ring (for Adapter)	2
	5K699	Seal Kit	

*Not Serviced Separately



INDEX:

Breakdown of hydraulic cylinders are special inserts from book #2J124, pages 10, 14, 15 and 16. Pages marked "*" are from #2J124.

<u>Part No.</u>	<u>Page</u>	<u>Index No.</u>	<u>Part No.</u>	<u>Page</u>	<u>Index No.</u>	<u>Part No.</u>	<u>Page</u>	<u>Index No.</u>
A-87	7	33		*10	8	1J131	11	19
1B-166	3	22		*15	9	1J834	9	8
	9	29	4C858	3	10	1J887	9	7
1C109	7	8		7	24	1J940	*14	11
	9	17	5C078	9	16	1J943	*14	16
	11	5	5C392	9	24	1J951	*10	12
	12	9	5C460	3	20			*15
	14	8	5C913	5	7	13		
1C120	12	8	5C914	5	6	1J952	*10	1
1C122	3	21	6C406	3	9	1J953	*10	4
	5	25		7	21			*15
1C133	5	22	6C468	15	3	4		
	9	4	7C876	11	5	1J954	*10	9
1C179	7	34	8C036	*14	2	1J955	*10	11
1C182	12	14	8C527	14	7			*15
1C183	12	15	9C031	7	16	12		
1C210	3	6	1D014	9	11	1J956	*10	-
	5	19	1D594	3	18		*15	-
	7	2		*14	18	2J094	9	28
	13	6		*16	28	2J155	9	12
1C211	3	5	2D535	7	16	2J241	9	9
	5	18	3D531	5	4	2J430	3	34
	7	2	3D532	5	3	2J431	3	35
	13	5	4D198	5	21	2J527	11	13
1C216	12	7		9	3	2J783	3	13
1C237	11	-	4D386	9	19	2J847	13	3
1C277	12	16	4D980	11	4	2J858	3	11
	*14	3	4D982	11	3	2J863	11	6
1C290	7	34	5D142	9	23	3J113	*14	9
1C314	7	34	5D155	*14	17	3J117	*14	-
	9	10	5D921	9	22	3J131	7	5
1C362	11	-	6D037	11	18	3J132	7	4
1C370	15	7	6D065	12	6	3J394	5	2
1C385	11	18	6D333	3	19	3J396	5	5
1C390	7	7	6D337	5	11	3J397	5	8
	9	18	6D716	11	2	3J402	5	1
	12	10	6D918	*14	13	3J449	7	18
	14	9		*16	4	3J450	3	4
1C392	3	23	7D014	9	13		7	2
	9	30	7D728	9	13		13	4
1C787	3	17	8D099	3	17	3J481	13	2
1C788	3	17		15	2	3J487	11	5
2C298	5	23	9D481	*14	1	3J493	9	6
	9	5	9D509	3	28	3J495	9	2
2C628	9	19		13	7	3J496	3	8
2C643	5	15	9D662	9	14		7	22
3C173	5	9	9D673	7	17	3J497	7	23
3C350	5	10	9D693	5	16	3J508	3	15
4C856	5	26	9D731	11	14	3J509	3	16

<u>Part No.</u>	<u>Page</u>	<u>Index No.</u>	<u>Part No.</u>	<u>Page</u>	<u>Index No.</u>	<u>Part No.</u>	<u>Page</u>	<u>Index No.</u>
3J513	3	14	3J769	*15	1	9J579	12	1
3J533	7	19	3J770	*15	10	9J581	12	2
3J540	11	9	3J771	*15	8	9J582	12	3
3J541	11	12	3J881	3	24	9J583	12	4
3J542	11	15	5J234	15	9	9J584	12	5
3J543	11	11	5J616	9	13	9J588	12	12
3J545	11	7	5J650	*10	7	9J593	9	1
3J547	11	8		*16	29	9J594	9	1
3J548	11	17	5J771	11	18	9J595	9	1
3J551	14	3	6J150	15	8	9J596	9	1
3J552	14	2	6J820	15	5	9J597	9	1
3J556	14	5	7J024	*16	20	9J601	9	31
3J557	14	4	7J025	*16	21	9J602	9	32
3J559	14	1	7J026	*16	19	9J609	9	25
3J560	14	1	7J050	*16	18	9J610	9	26
3J561	14	6	7J237	15	1	9J611	9	27
3J566	5	20	8J001	7	14	9J654	3	37
3J567	11	1	8J014	12	11	9J811	7	27
3J568	11	16	8J015	12	13	9J818	7	28
3J578	5	17	8J034	12	1	9J819	7	29
	13	8	8J172	9	15	9J821	7	29
3J598	5	14	8J675	15	4	9J930	12	17
3J603	11	10	8J810	7	20			
3J604	5	12	9J043	5	24	3K712	7	31
3J607	3	12	9J090	9	20			
3J609	5	13	9J091	9	21	4K036	3	32
3J614	11	-	9J229	15	6		7	26
3J615	11	20	9J497	3	7	4K051	7	30
3J675	3	30	9J500	7	15	4K054	7	32
	7	25	9J502	7	11			
3J678	3	33	9J503	7	12			
3J684	3	31	9J511	7	13			
3J706	*14	4	9J512	7	13			
3J707	*14	14	9J525	7	1			
3J708	*14	15	9J526	7	1			
3J718	*16	8	9J533	3	2			
3J719	*16	11	9J534	3	1			
3J720	*16	13	9J540	3	3			
3J721	*16	12	9J548	13	1			
3J722	*16	26	9J555	3	26			
3J723	*16	27	9J557	3	25			
3J724	*16	22	9J559	7	6			
3J725	*16	5	9J561	3	27			
3J726	*16	18		7	3			
3J727	*16	1	9J567	3	30			
3J728	*16	2	9J568	3	29			
3J729	*16	-	9J570	7	9			
3J730	*16	3	9J571	7	10			

