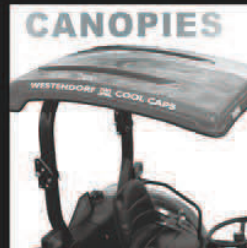


2020



WESTENDORF

SALES MANUAL AND PRICE GUIDE



GRAB FORKS



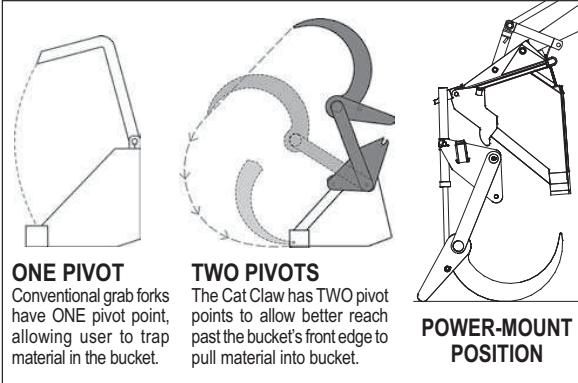
Prices Effective as of 1-21

CAT CLAW 3-D GRAB FORK

CAT CLAW 3-D GRAB FORK for Large Capacity Buckets

The Cat Claw has compound capabilities, multiple movements and triple actions. The V-shaped curved teeth have a distinctive tapered design and built-in bracing to handle increased side pressures and resist twisting. Quick dismount is tool-free and fast.

THREE-DIMENSIONAL ACTION



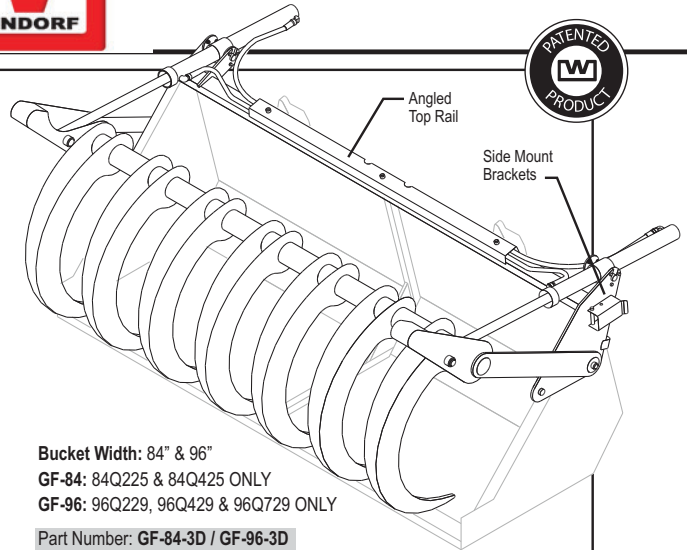
ONE PIVOT

Conventional grab forks have ONE pivot point, allowing user to trap material in the bucket.

TWO PIVOTS

The Cat Claw has TWO pivot points to allow better reach past the bucket's front edge to pull material into bucket.

POWER-MOUNT POSITION



Bucket Width: 84" & 96"

GF-84: 84Q225 & 84Q425 ONLY

GF-96: 96Q229, 96Q429 & 96Q729 ONLY

Part Number: GF-84-3D / GF-96-3D

Package Includes: Hydraulic Quick-Tach Cat Claw, bucket hooks, two cylinders, 16' and 18' hoses or option A: Steel line hose kit.

CAT CLAW 3-D GRAB FORK for No-Rib Buckets with Steroid Bar

This Cat Claw grab fork offers many of the same features with its TWO pivot point design and dual cylinder power. Teeth are bolt-on and replaceable. Designed for bigger loaders, bigger buckets commonly found the Freedom Mount Loaders and Heavy Duty High Capacity buckets.

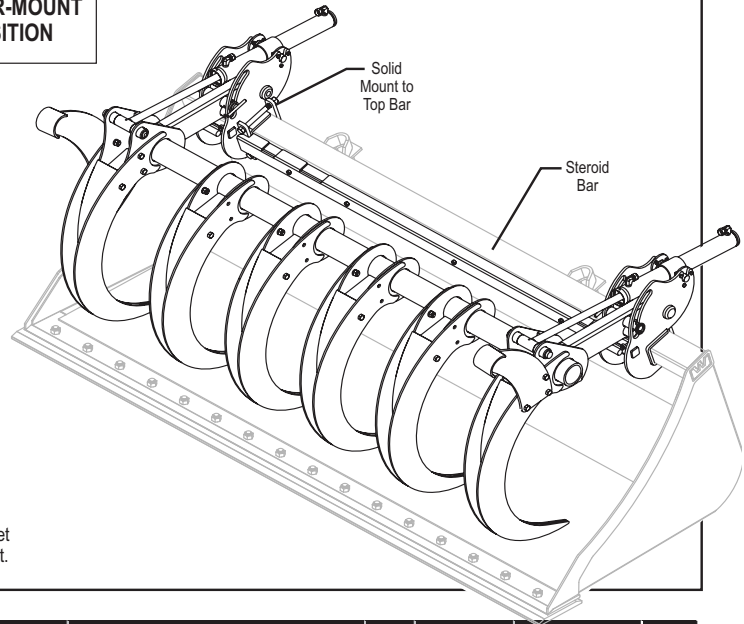
Bucket Width: 84" & 96" or larger

GF-184: 84" or larger buckets with Steroid Bar

GF-196: 96" or larger buckets with Steroid Bar

Part Number: GF-184-3D / GF-196-3D

Package Includes: Stationary Cat Claw with replaceable teeth, bucket hooks, two cylinders, 16' and 18' hoses or option A: Steel line hose kit.



GRAB FORKS

Westendorf's patented Power-Mount™ Grab Forks make switching to a grab fork nearly effortless. In just minutes you can mount or dismount them without the use of tools.

GRAB FORK ATTACHMENTS	PRICE	WL SERIES		TA SERIES										XTA SERIES	CUSTOM CONTOUR			FREEDOM MOUNT			MAX SERIES										
		WL-21	WL-27	WL-42 / 44	WL-61 / 64	TA-25	TA-26	TA-26 Plus	TA-26-12	TA-28	TA-28 Plus	TA-29	TA-45	TA-46	TA-48	TA-76	TA-77	XTA-400	XTA-700	CC-330	CC-340	CC-360	CC-370	FM-540	FM-550/560	FM-570	FM-580	FM-585	MAX420/420L	MAX440/440L	
GF-20 Jiffy Monster Grab Fork	1,250	•	•			•	•	•																							
GF-28 Monster Grab Fork	1,750		•						•	•	•																				(1)
GF-51 Monster Grab Fork	1,500			•	•							•	•	•	•	•	•	•													(1)
GF-52 Monster Grab Fork	1,800			•	•							•	•	•	•	•	•	•													(1)
GF-64 Quick Mount Claw Grab Fork	2,200			•	•				•	•	•	•	•	•	•	•	•	•													
GF-84-3D 84" Triple Action Cat Claw	2,750			•	•				•	•	•	•	•	•	•	•	•	•													
GF-96-3D 96" Triple Action Cat Claw	3,000			•	•				•	•	•	•	•	•	•	•	•	•													
GF-184-3D 84" Cat Claw 3D Grab Fork	2,750			(2)	(2)				(2)	(2)	(2)	(2)	(2)	(2)	(2)	(2)	(2)	(2)			•	•	•	•	•	•	•	•	•	•	•
GF-196-3D 96" Cat Claw 3D Grab Fork	3,000			(2)	(2)				(2)	(2)	(2)	(2)	(2)	(2)	(2)	(2)	(2)	(2)			•	•	•	•	•	•	•	•	•	•	•

(1) Requires 90° Bucket (2) When equipped with HDHC Bucket



GRAB FORKS



Prices Effective as of 1-21

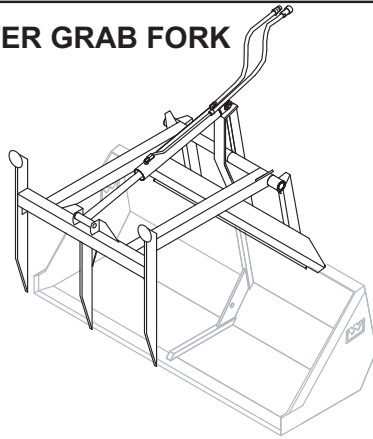
POWER-MOUNT™ GRAB FORKS

JIFFY MONSTER GRAB FORK

Part Number: GF-20

Fits: 21 & 26 Style Buckets

Package Includes:
Jiffy Monster Grab Fork
and 16' & 18' hoses or
Opt. A: Steel line hose kit.
It has three straight teeth
and quick-attach. Just
hook over the angle iron
and bolt to hooks on back.

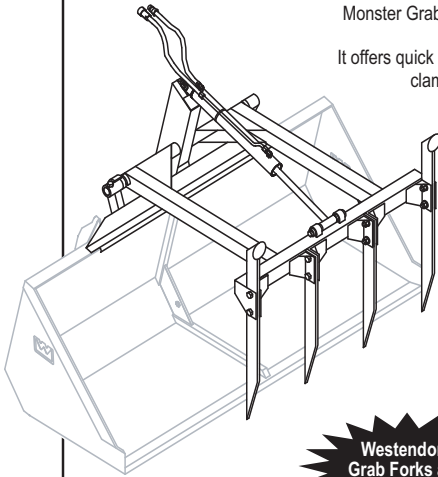


MONSTER GRAB FORK

Part Number: GF-51

Fits: 40 & 70 Series Buckets

Package Includes:
Monster Grab Fork and a 16' & 18' hose or
option A: steel line hose kit.
It offers quick attach, and has a single lever
clamping action. Comes with four
replaceable straight teeth.



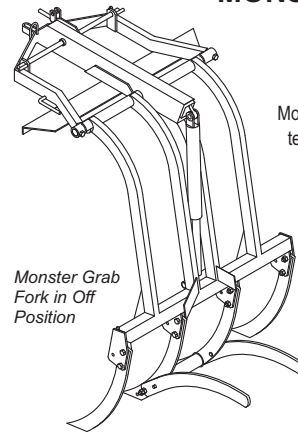
**Westendorf
Grab Forks are
Quick On & Off**

MONSTER GRAB FORKS

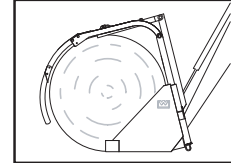
Part Number: GF-28

Fits: Large 20 Series Buckets

Package Includes:
Monster Grab Fork, 4 replaceable curved
teeth w/extensions and a 16' & 18' hose
or Option A: Steel line hose kit.

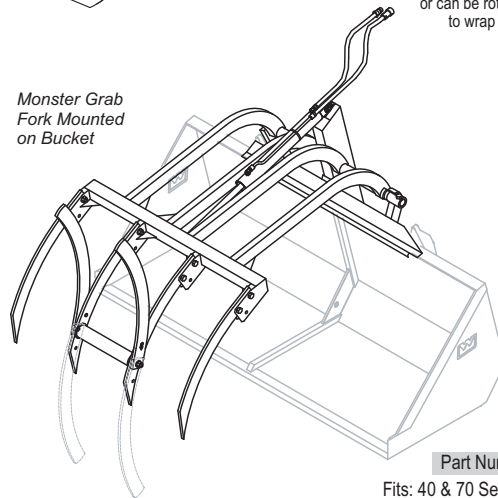


Monster Grab
Fork in Off
Position



ADJUSTABLE TEETH

Center teeth on the grab fork act as
the stand when rotated back
or can be rotated forward
to wrap around large
round bales.



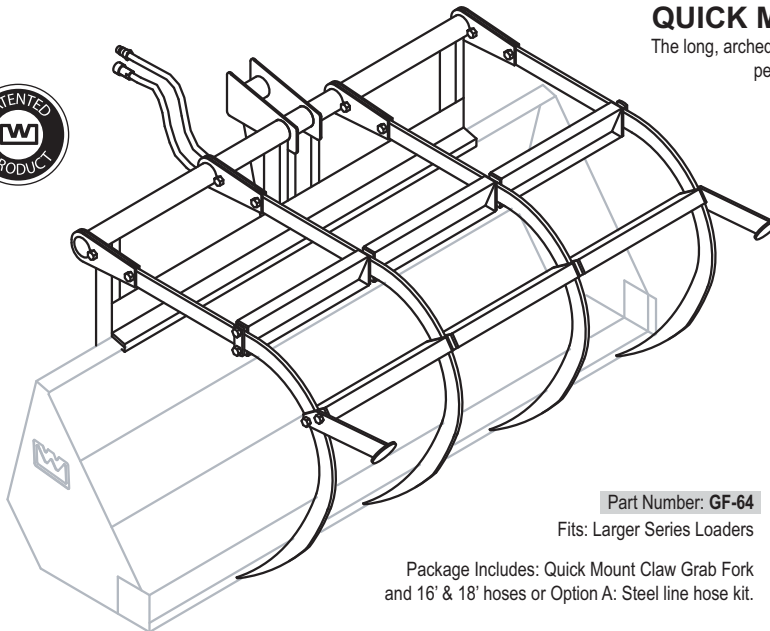
Monster Grab
Fork Mounted
on Bucket

Part Number: GF-52

Fits: 40 & 70 Series Buckets

QUICK MOUNT CLAW GRAB FORK

The long, arched teeth that open extremely wide are sharp enough to
penetrate a round bale easily. The Quick-Attach fork is
secured with four wing handles on the back.



Part Number: GF-64

Fits: Larger Series Loaders

Package Includes: Quick Mount Claw Grab Fork
and 16' & 18' hoses or Option A: Steel line hose kit.

