

McFARLANE
MFG. CO.
INC. Sauk City, Wisconsin

MANUFACTURERS OF QUALITY AGRICULTURAL EQUIPMENT SINCE 1936

OPERATOR'S MANUAL
AND
SET-UP INSTRUCTIONS
FOR THE

WDL-2070
REAR-FOLD TRANSPORT
CART & HARROW SECTIONS

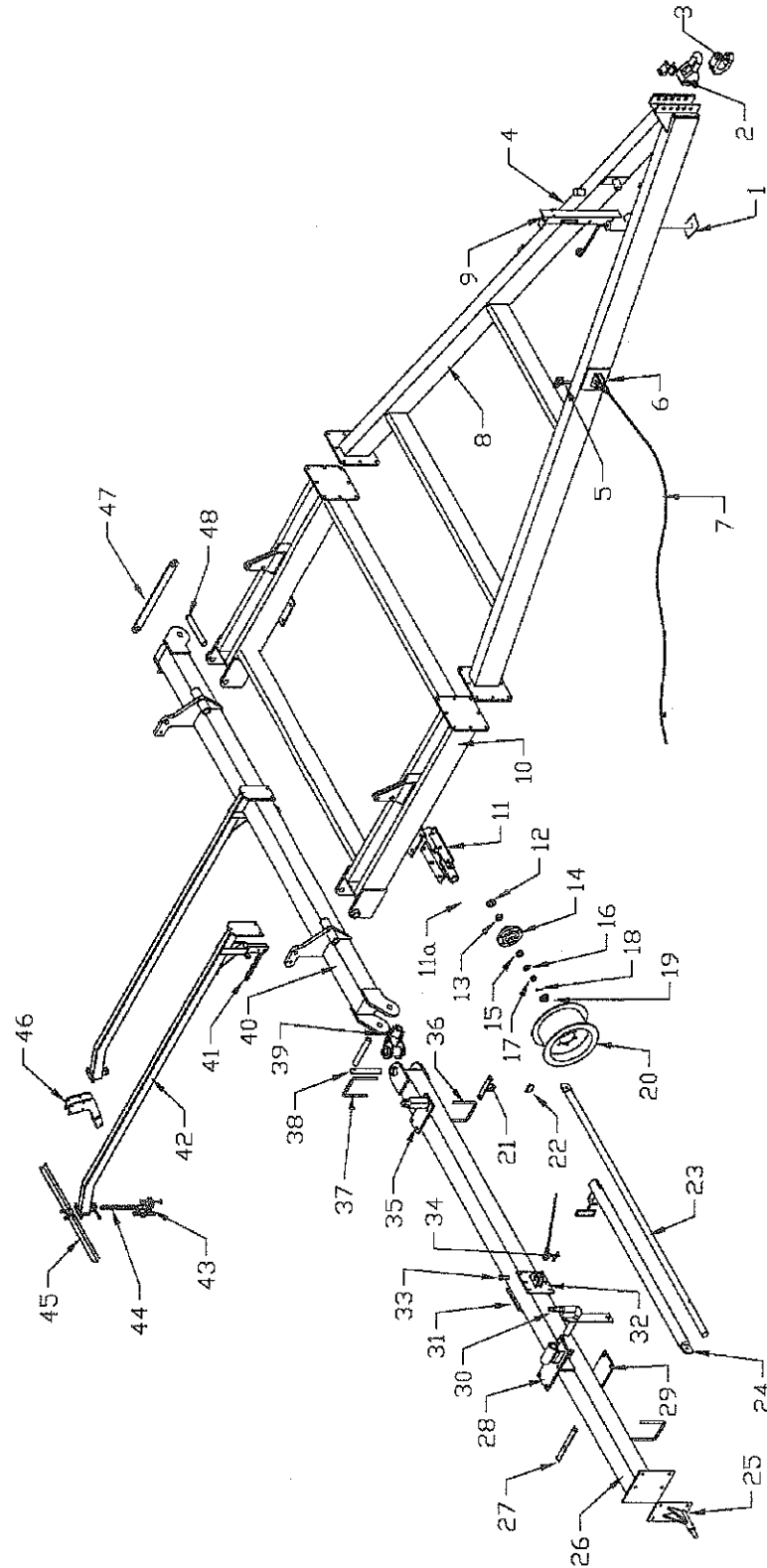
VERSION: 2-11
serial number 14453 through 16843

TO THE OWNER AND OPERATORS

Before assembling or operating this unit, READ THIS MANUAL THOROUGHLY. To obtain the best performance of the unit, familiarize yourself with each component and adjustment. Store this manual where it can be readily available for future reference. In the event that the harrow or any part of the unit should be sold, be sure that the new owner receives a copy of this manual for their reference.

1330 DALLAS STREET, P.O. BOX 100
SAUK CITY, WISCONSIN 53583
PHONE: (608) 643-3321
TOLL FREE: (800) 627-8569 FAX: (608) 643-3976

WDL-2070 HARROW CART PARTS DIAGRAM



**WDL-2070 HARROW CART
PARTS LIST**

Always order by Part Number - *Not* by Key Number

KEY	PART #	DESCRIPTION	QTY.
1	HD-1152	JACK STAND (15")	2
	HD-1151	JACK STAND (10")	1
2	PPI-400	BASE HITCH	1
3	PPI-208	CLEVIS	1
4	RT-3102	HYDRAULIC HOSE RACK	1
5	WDL-2781	WING CABLE PIN	2
6	WDL-2780	#6 BRIDGE (hair) PIN	2
7	WC-2332	WING PULL CABLE	2
8	WDL-2101	WDL A-FRAME	1
9	RT-3104	HYDRAULIC HOSE CLAMP	1
10	WDL-2201	WDL SQUARE FRAME	1
11	WDL-2500	MAIN FRAME AXLE	2
11a	WDL-2505	MAIN FRAME AXLE SPINDLE	4
12	HD-1360	GREASE SEAL (6-hole hub)	8
13	HD-1362	INNER BEARING (6-hole hub)	8
14	HD-1361	HUB WITH RACES (6-hole hub)	8
15	HD-1363	OUTER BEARING (6-hole hub)	8
16	HD-1364	SPINDLE FLAT WASHER (6-hole hub)	8
17	HD-1365	SPINDLE HEX NUT (6-hole hub)	8
18	CP-1517	COTTER PIN	8
19	HD-1367	DUST CAP (6-hole hub)	8
20	HD-1368	RIM (15" x 8" 6-hole) for 11L-15 tire	8
21	WDL-3072	TIE-BAR STOW BRACKET	1
22	WD-144	3/8" x 2 1/2" LYNCH PIN	2
23	WDL-3095	LEFT TIE-BAR HALF	1
24	WDL-3076	RIGHT TIE-BAR HALF	1
25	WDL-2514	WING WHEEL AXLE BRACKET	2
25a	WDL-2505	AXLE SPINDLE	2
26	WDL-2473	WING BAR, RIGHT, 2070	1
**	WDL-2472	WING BAR, RIGHT, OPTIONS, 2070	1
**	WDL-2470	WING BAR, LEFT, 2070	1
**	WDL-2471	WING BAR, LEFT, OPTIONS, 2070	1
27	WDL-3075	WING CABLE STOW BRACKET	2
28	WDL-2556	TRANSPORT AXLE, RIGHT	1
**	WDL-2555	TRANSPORT AXLE, LEFT	1
29	WDL-2517	TRANSPORT AXLE CLAMP PLATE	2
30	WDL-2522	TRANSPORT AXLE SPINDLE ASSEMBLY	2
**	WDL-2523	TRANSPORT AXLE THRUST BEARING 2"	2
**	WDL-2581	TRANSPORT AXLE WASHER	2

31	WDL-2731	WING CABLE BRACKET CLAMP PLATE	2
32	WDL-2730	WING CABLE BRACKET	2
33	HD-1149	1" x 2 1/2" CLEVIS PIN	2
34	CP-3620	3/16" x 2" COTTER PIN	2
35	WDL-2739	WING JACK PLATE	2
36	BU-5878	U-BOLT (5/8" x 7" x 8 1/2")	4
37	BU-1278	U-BOLT (1/2" x 7" x 8 3/4")	3
38	WDL-2736	KNUCKLE HINGE PIN (1 3/4" x 11 1/16")	4
39	WDL-2733	HINGE KNUCKLE	2
40	WDL-2312	CENTER BAR ASSEMBLY	1
41	CH-0808	8-LINK PULL CHAIN	*
42	WDL-2621	8-BAR LIFT ARM	*
43	HDL-5100	DUAL SECTION CONNECTOR LINK	*
44	CH-0808	8-LINK LIFT CHAIN	*
45	HD-3xxx	LIFT ARM STABILIZER ANGLES	*
46	HDL-3300	REAR PULL POINT ASSEMBLY	*
47	SC-600	CYLINDER LOCK BAR	2
48	WDL-2714	CENTER BAR HINGE PIN (1 1/2" x 11 1/16)	2
**	DC-111	DECAL: "STAND CLEAR..."	1
**	DC-116	DECAL: "DO NOT CLIMB ON..."	1
**	DC-117	DECAL: "...USE JACK STAND"	1
**	DC-119	DECAL: "ESCAPING FLUID..."	1
**	LIT-0420	LITERATURE PACKET	1

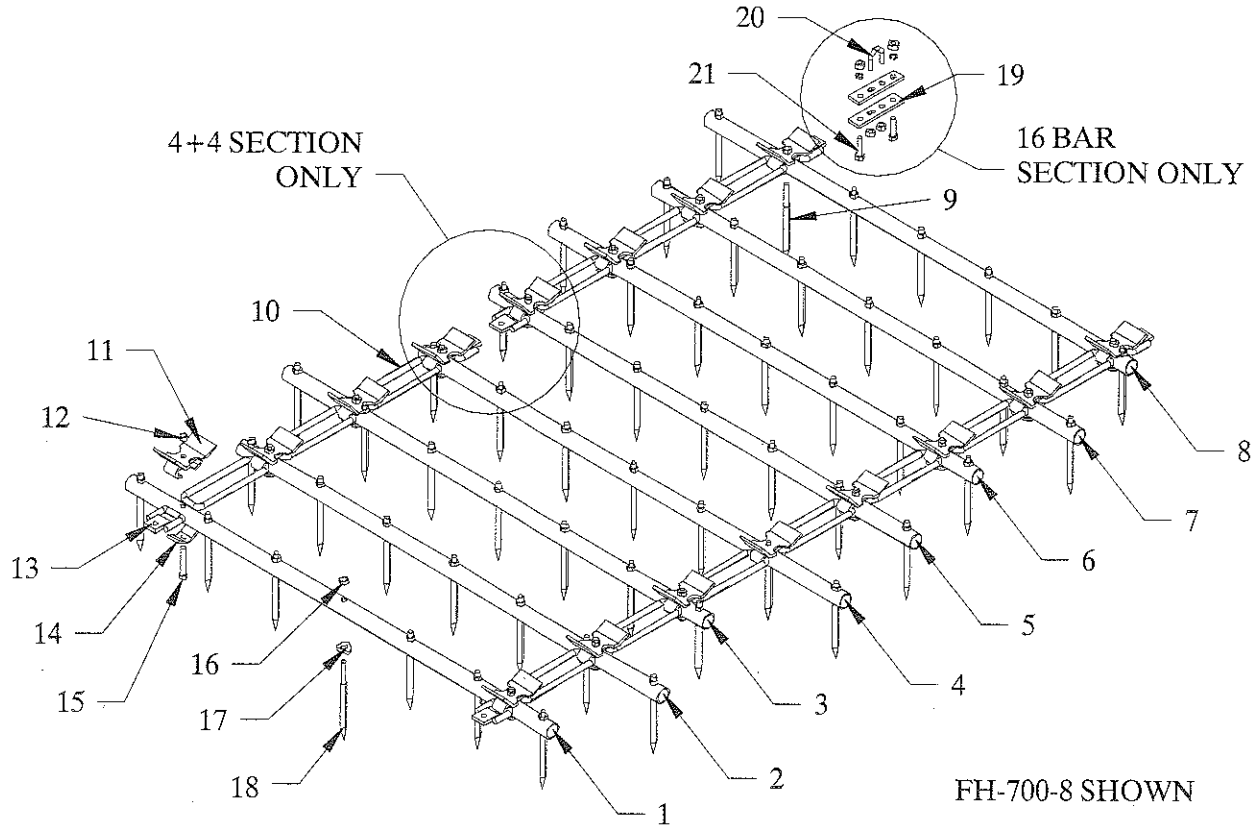
- * Quantity depends on harrow sections used.
- ** Unnumbered items are not pictured.
- *** Please specify model number when ordering these parts.
- xxx length in inches (84" is 084, 112" is 112)

Bolts, washers, nuts, and cotter pins are not shown. Refer to the step-by-step assembly instructions for details.

McFarlane Manufacturing reserves the right to change specifications of design at any time without obligation to modify previous products.

**FH-8-BAR HARROW SECTIONS
PARTS DIAGRAM & LISTING**

INCLUDES FH-500-8, FH-600-8, FH-700-8, FH-800-8, AND FH-900-8



ITEM #	PART #	DESCRIPTION
1	FH-801	#1 HARROW BAR (FH-500-8)
1	FH-805	#1 HARROW BAR (FH-600-8)
1	FH-809	#1 HARROW BAR (FH-700-8)
1	FH-813	#1 HARROW BAR (FH-800-8)
1	FH-817	#1 HARROW BAR (FH-900-8)
2	FH-802	#2 HARROW BAR (FH-500-8)
2	FH-806	#2 HARROW BAR (FH-600-8)
2	FH-810	#2 HARROW BAR (FH-700-8)
2	FH-814	#2 HARROW BAR (FH-800-8)
2	FH-818	#2 HARROW BAR (FH-900-8)
3	FH-802	#3 HARROW BAR (FH-500-8)
3	FH-806	#3 HARROW BAR (FH-600-8)
3	FH-810	#3 HARROW BAR (FH-700-8)
3	FH-814	#3 HARROW BAR (FH-800-8)
3	FH-818	#3 HARROW BAR (FH-900-8)
4	FH-804	#4 HARROW BAR (FH-500-8)
4	FH-808	#4 HARROW BAR (FH-600-8)
4	FH-812	#4 HARROW BAR (FH-700-8)
4	FH-816	#4 HARROW BAR (FH-800-8)

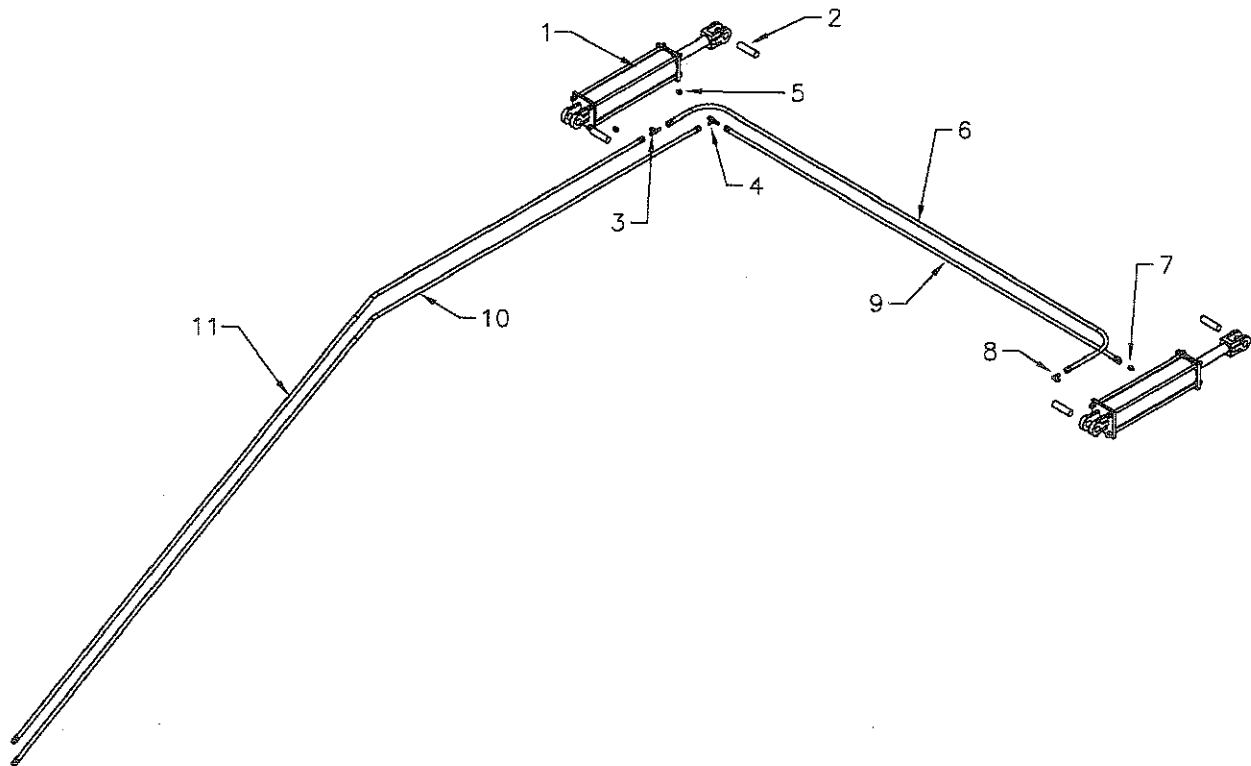
4	FH-820	#4 HARROW BAR (FH-900-8)
5	FH-803	#5 HARROW BAR (FH-500-8)
5	FH-807	#5 HARROW BAR (FH-600-8)
5	FH-811	#5 HARROW BAR (FH-700-8)
5	FH-815	#5 HARROW BAR (FH-800-8)
5	FH-819	#5 HARROW BAR (FH-900-8)
6	FH-803	#6 HARROW BAR (FH-500-8)
6	FH-807	#6 HARROW BAR (FH-600-8)
6	FH-811	#6 HARROW BAR (FH-700-8)
6	FH-815	#6 HARROW BAR (FH-800-8)
6	FH-819	#6 HARROW BAR (FH-900-8)
7	FH-801	#7 HARROW BAR (FH-500-8)
7	FH-805	#7 HARROW BAR (FH-600-8)
7	FH-809	#7 HARROW BAR (FH-700-8)
7	FH-813	#7 HARROW BAR (FH-800-8)
7	FH-817	#7 HARROW BAR (FH-900-8)
8	FH-804	#8 HARROW BAR (FH-500-8)
8	FH-808	#8 HARROW BAR (FH-600-8)
8	FH-812	#8 HARROW BAR (FH-700-8)
8	FH-816	#8 HARROW BAR (FH-800-8)
8	FH-820	#8 HARROW BAR (FH-900-8)
9	E-611	½" x 3" SHANK SPIKE TOOTH ONLY
10	FH-125	CONNECTOR LINK (REGULAR)
11	FH-127	NOTCHED LINK CAP
12	**	1/2" LOCK NUT
13	FH-122	PULL FLAT
14	FH-019	CAP CLIP
15	**	½" x 3" BOLT
16	**	½" FLANGED LOCK NUT
17	E-630	SPIKE TOOTH WASHER
18	E-620	½" x 2 1/2" SHANK SPIKE TOOTH ONLY
**	E-610	½" x 2 1/2" SHANK SPIKE TOOTH w/WASHER
19	HDL-5100	DUAL SECTION CONNECTOR FLAT (16 BAR ONLY)
20	BV-7611	7/16" V-BOLT (16 BAR ONLY)
21	**	½" x 2" BOLT, LOCK WASHER AND NUT (16 BAR ONLY)
**	HDL-5101	DUAL SECTION CONNECTOR ASSEMBLY (16 BAR ONLY)

The #1 bar is the bar with an equal amount of tube to the right and left of the pull flats. The #8 bar is the bar that is staggered off to one side.

When pulling the harrow section from the #1 bar, the teeth will be in the least aggressive setting. When pulling from the #8 bar the teeth will be in the most aggressive setting.

9/24/08

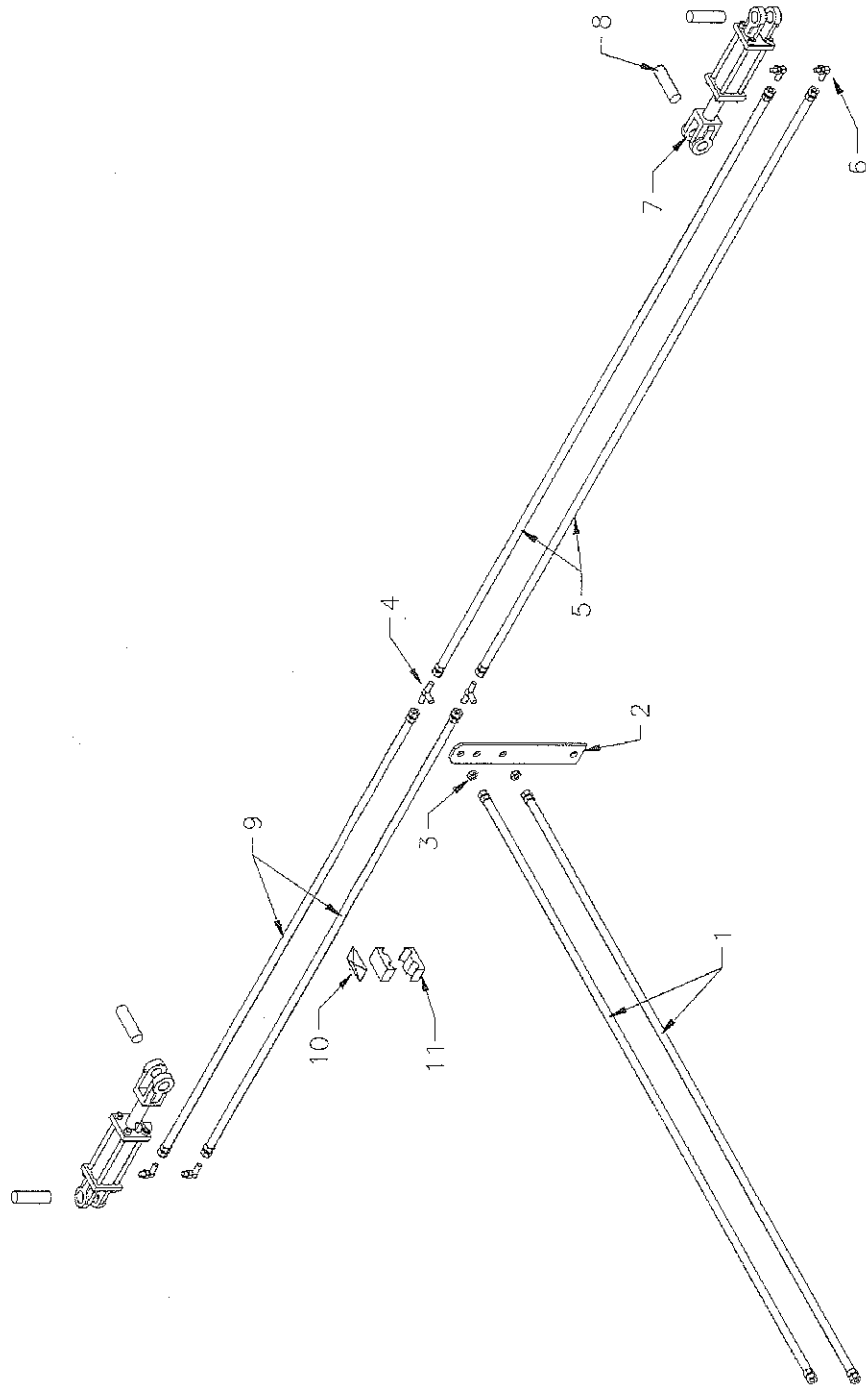
**WDL-2070 HARROW CART
HYDRAULICS PARTS LIST**



KEY	PART #	DESCRIPTION	QTY.
1	HYA-35016	ASAE 5" x 16" HYDRAULIC CYLINDER	2
2	SC-503	1 1/4" x 6 3/4" CLEVIS PIN	4
3	HYF-1808	TEE (3/8"m - 3/8"o-ring - 3/8"m)	1
4	HYF-1088	TEE (3/8"o-ring - 3/8"m - 3/8"m)	1
5	HYF-3301	ADAPTER (3/8"o-ring - 1/2"o-ring)	2
6	HYH-8126	3/8" x 126" HYDRAULIC HOSE	1
7	HYF-3820	ADAPTER (3/8"f - 1/2"o-ring)	1
8	HYF-2820	ELBOW (3/8"f - 1/2"o-ring)	1
9	HYH-8090	3/8" x 90" HYDRAULIC HOSE	1
10	HYH-7300	3/8" x 300" HYDRAULIC HOSE w/restrictor & 1/2" end	1
11	HYH-9265	3/8" x 265" HYDRAULIC HOSE w/one 1/2" end	1

Note: When ordering cylinder replacement parts, please specify cylinder make & part number.
McFarlane Manufacturing reserves the right to change specifications of design at any time without obligation to modify previous products.

HYDRAULIC TRANSPORT WHEEL OPTION
PARTS DIAGRAM



**HYDRAULIC TRANSPORT WHEEL OPTION
PARTS LIST**

Always order by Part Number - *Not* by Key Number

KEY	PART #	DESCRIPTION	QTY.
1	HYH-9326	3/8" x 326" HYDRAULIC HOSE (w/one 1/2" pipe end)	2
2	WDL-2307	HYDRAULIC TEE POST	1
**	BU-1278	1/2" X 7" X 8 3/4" U-BOLT	1
3	HYO-4000	3/8" HYDRAULIC TEE NUT	2
4	HYF-1888	TEE (3/8"m - 3/8"m - 3/8"m)	2
5	HYH-8400	3/8" x 400" HYDRAULIC HOSE (WDL-2070 only)	2
6	HYF-2820	ELBOW (3/8"f - 1/2"o-ring)	4
7	HYC-32004	2" x 4" HYDRAULIC CYLINDER	2
8	HYO-2103	1" x 3 - 1/2" CLEVIS PIN	4
9	HYH-8330	3/8" x 330" HYDRAULIC HOSE (WDL-2070 only)	2
10	HYH-1004	3/8" HYDRAULIC HOSE CLAMP COVER	4
11	HYH-1002	3/8" HYDRAULIC HOSE CLAMP BODY	7
**	BB-0492	BOLT BAG	1
**	HY-0492	HYDRAULIC BAG (WDL-2070 only)	1
**	MM-1200	BAG OF TIES	1
**	***	LITERATURE PACKET	1

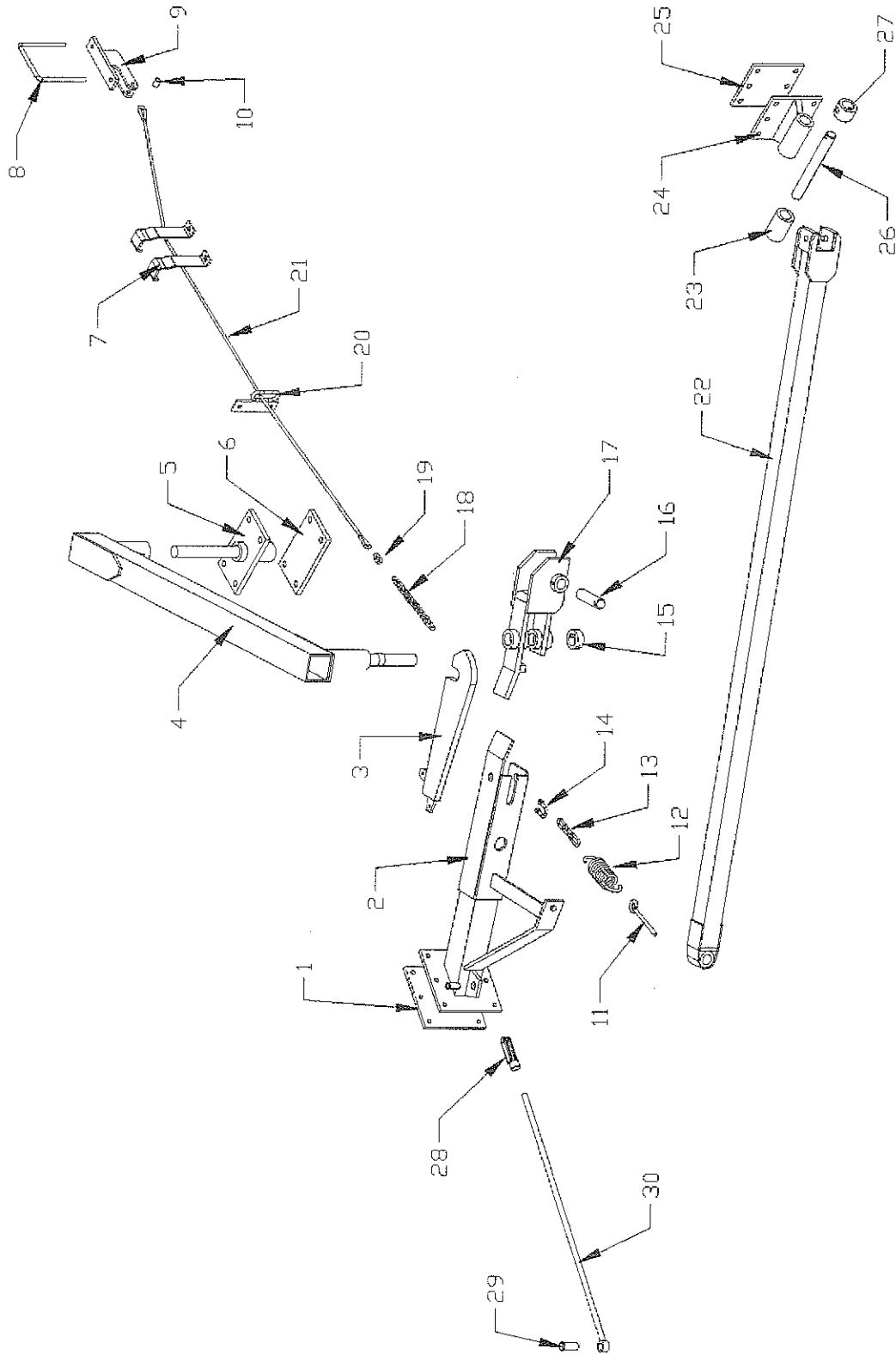
** Unnumbered items are not pictured.

*** Please specify model number when ordering these parts.

Bolts, washers, and nuts are not shown. Refer to the step-by-step assembly instructions for details.

McFarlane Manufacturing reserves the right to change specifications of design at any time without obligation to modify previous products.

AUTO-BACKUP WING PULL-TUBE OPTION PARTS DIAGRAM



**AUTO-BACKUP WING PULL-TUBE OPTION
PARTS LIST**

Always order by Part Number - *Not* by Key Number

KEY	PART #	DESCRIPTION	QTY.
1	WD-2912	LOCK BRACKET ASSEMBLY CLAMP PLATE	2
2	WD-2920	LEFT LOCK BRACKET ASSEMBLY	1
**	WD-2921	RIGHT LOCK BRACKET ASSEMBLY	1
3	WD-2922	LOCK ARM	2
4	WD-2901	PIVOT ARM ASSEMBLY	2
5	WD-2904	PIVOT ARM BASE	2
6	WD-2914	PIVOT ARM BASE CLAMP PLATE	2
7	WD-2924	AXLE CABLE GUIDE BRACKET	4
8	BU-1267	U-BOLT (1/2 X 6 X 7 3/4) (WDL-2045 through 2060 only)	2
**	BU-1278	U-BOLT (1/2 X 7 X 8 3/4) (WDL-2070 only)	2
9	WD-2909	CABLE BRACKET (WDL-2045 through 2060 only)	2
**	WD-2929	CABLE BRACKET (WDL-2070 only)	2
10	HD-1216	BUSHING	2
11	HDL-2534	EYE BOLT	2
12	RBH-0308	SPRING	2
13	CH-0703	3-LINK CHAIN	2
14	AL-030	SHACKLE	4
15	WD-2911	LOCK COLLAR	2
16	WD-2915	TUBE CONNECTOR PIN	2
17	WD-2905	WING PULL TUBE CONNECTOR	2
18	CH-0607	7-LINK CHAIN	2
19	WD-181	QUICK LINK	2
20	WD-2908	FRAME CABLE GUIDE RING	2
21	WC-8105	CABLE	2
22	***	MAIN PULL TUBE	2
23	WD-2926	WING ANCHOR LONG BUSHING	2
24	WD-2906	WING ANCHOR (WDL-2045 through 2060 only)	2
**	WD-2946	WING ANCHOR (WDL-2070 only)	2
25	WDL-2711	WING ANCHOR CLAMP PLATE (2045 through 2060 only)	2
**	WDL-2731	WING ANCHOR CLAMP PLATE (WDL-2070 only)	2
26	WD-2916	WING ANCHOR PIN	2
27	WD-2936	WING ANCHOR SHORT BUSHING	2
28	WD-2918	3/4 X 6 YOKE	2
29	HD-1149	1 X 2 1/2 CLEVIS PIN & 3/16 X 2 COTTER PIN	2
30	WD-2917	ADJUSTER ROD	2
**	BB-0470	BOLT BAG (WDL-2045 through 2060 only)	1
**	BB-0475	BOLT BAG (WDL-2070 only)	1
**	***	LITERATURE PACKET	1

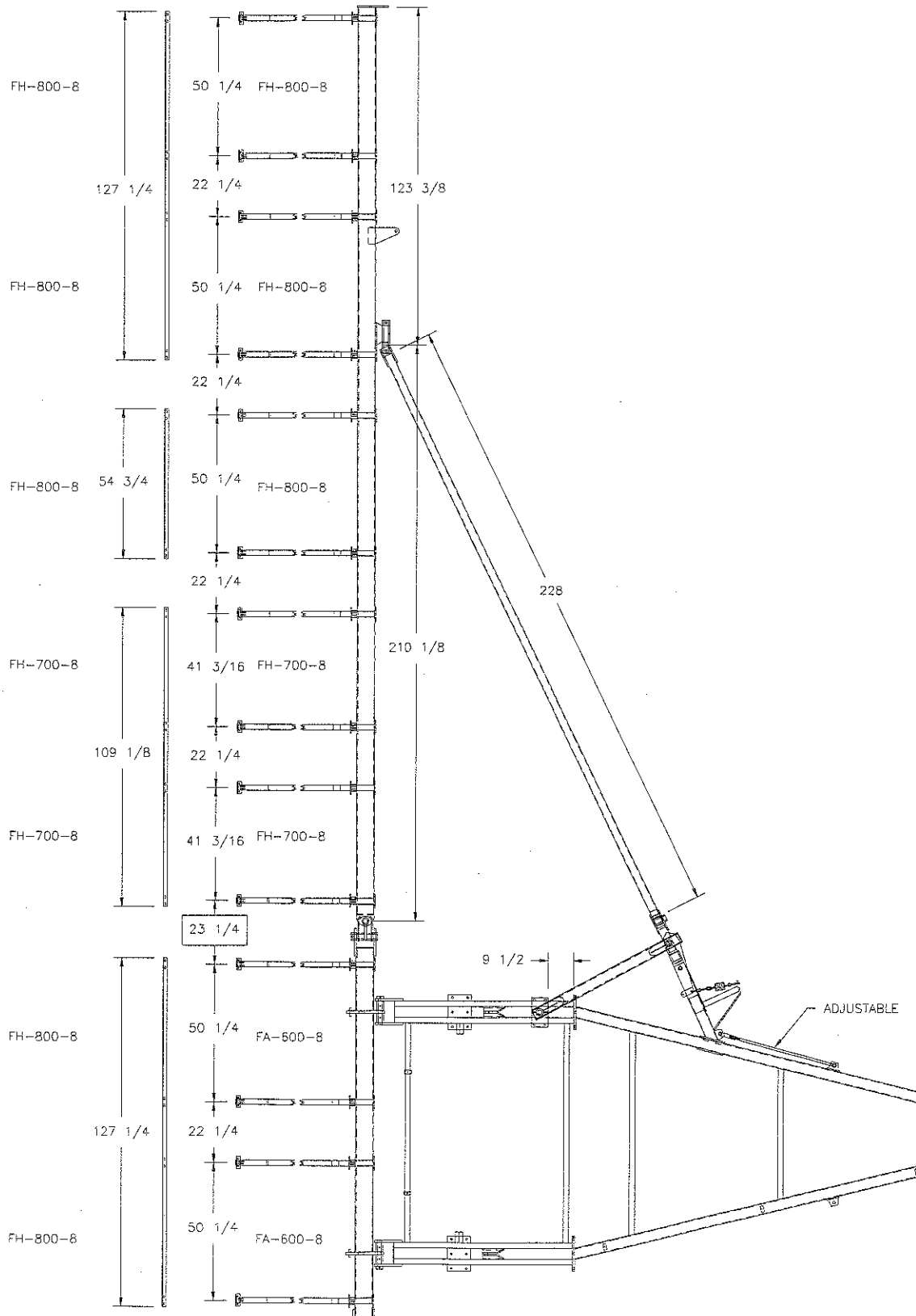
** Unnumbered items are not pictured.

*** Please specify model number when ordering these parts.

Bolts, washers, and nuts are not shown. Refer to the step-by-step assembly instructions for details.

McFarlane Manufacturing reserves the right to change specifications of design at any time without obligation to modify previous products.

WDL-2070 HARROW CART LAYOUT DIAGRAM



WARRANTY REGISTRATION FORM

This form must be filled out by the dealer and owner and sent to: McFarlane Mfg. Co., Inc., 1330 Dallas Street, P.O. Box 100, Sauk City, WI 53583.

WARRANTY REGISTRATION FORM & INSPECTION REPORT

WARRANTY REGISTRATION

This form must be filled out by the dealer and signed by both the dealer and customer at the time of delivery.

Customer Name _____ Dealer Name _____

Address _____ Address _____

City, state, code _____ City, state, code _____

Phone number (____) _____

Model _____ Serial Number _____ Delivery Date _____

DEALER INSPECTION REPORT

SAFETY

- _____ Wheel bolts tight
- _____ Fasteners tight
- _____ Hydraulic hoses free
- _____ Hydraulic fittings tight
- _____ Arms free
- _____ Check tire pressures
- _____ Lubricate machine

- _____ All decals installed
- _____ Review operating and safety instructions

I have thoroughly instructed the buyer on the above described equipment; review included the operator's manual content, equipment care, adjustments, safe operation and applicable warranty policy.

Date _____ Dealer's signature _____

The above equipment and operator's manual have been received by me and I have been thoroughly instructed as to care adjustments, safe operation, and applicable warranty policy.

Date _____ Owner's signature _____