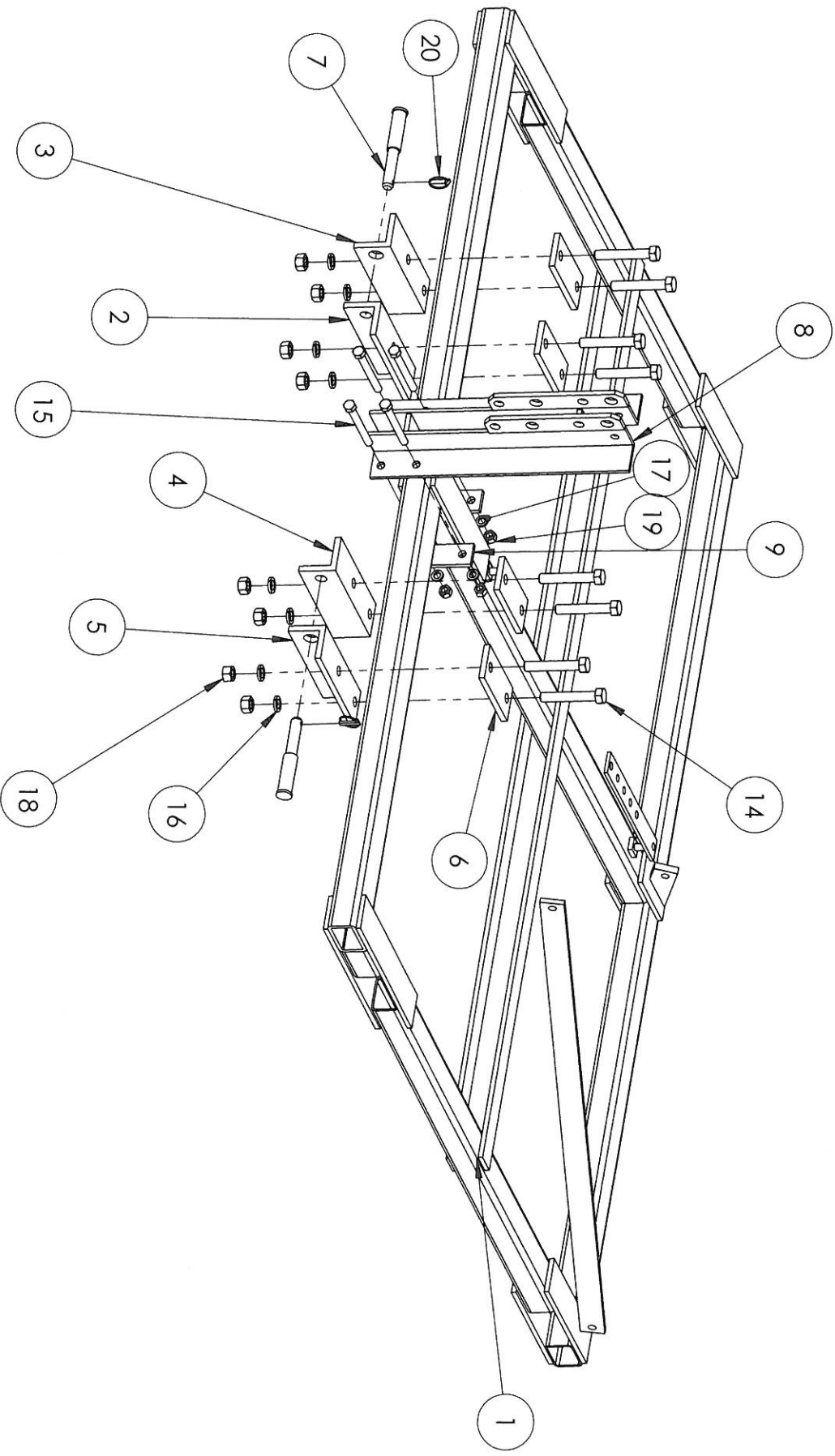


TXXH SERIES NEW LIFT FRAME HITCH ASSEMBLY
ALL MODELS PRODUCED AFTER 7/15/2011



TXXH SERIES NEW LIFT FRAME HITCH ASSEMBLY
ALL MODELS PRODUCED AFTER 7/15/2011

ITEM NO.	PART NUMBER	DESCRIPTION	QTY.
1	11298	FRAME 111"	1
2	15819	RH INSIDE HITCH ANGLE	1
3	15820	RH OUTSIDE HITCH ANGLE	1
4	15821	LH INSIDE HITCH ANGLE	1
5	15822	LH OUTSIDE HITCH ANGLE	1
6	15823	HITCH ANGLE CLAMP PLATE	4
7	15650	CAT 2-3 HITCH PIN	2
8	15824	MAST WELDMENT	1
9	11374	CLAMP PLATE	2
12	12026	SLIDE PLATE TOP 3" X 4" WELDMENT	2
13	11421	SLIDE PLATE (TOP & BOTTOM)	2
14	15349	HEX BOLT, 1" X 6" GR. 5	8
15	T-761	HEX BOLT, 3/4" X 6 1/2" GR. 5	4
16	T-34	LOCK WASHER, 1"	8
17	T-31	LOCK WASHER, 3/4"	4
18	T-18A	LOCK NUT, 1"	8
19	T-27	HEX NUT, 3/4"	4
20	VP252	LYNCH PIN	2