

# BALE WRAPPER

**TUBE•LINE**  
MANUFACTURING LTD

Individual Round Bale Wrapper

# **TL1000R**

## **INDIVIDUAL BALE WRAPPER**



**TUBE•LINE**  
MANUFACTURING LTD

**GI** GENERAL  
IMPLEMENT  
DISTRIBUTORS

# BALE WRAPPER

## TL1000R Individual Wrapper

The TL1000R is a valuable addition to any hay producers arsenal. Easy to maintain and even easier to use, the TL1000R uses tractor hydraulics to spin and rotate the bale ensuring it's completely wrapped every time.

To keep 4' and 5' bales centered, the TL1000R is equipped with adjustable bale guides as well as bale support rollers. It also features a wrap counter to ensure you get the right amount of wraps on each bale.

The integrated knife conveniently cuts the wrap automatically after you've dumped the bale, allowing you to stay in the tractor and start wrapping the next bale.

Minimizing damage to your field, the rollers gently roll over the ground as you tip the wrapper over to dump the bale. When you're finished wrapping, the integrated transport lock ensures that the wrapper can be safely transported to and from the field safely.

Add some value to your operation with a new Individual BaleWrapper from Tubeline.



Adjustable Bale Guides



Bale Support Rollers



Wrap Counter



Integrated Knife



Rollers



Transport Lock

### Specifications

### TL1000R

Bale Size	4' x 4' to 5' x 5' 6"
Film Width	30"
Length	104"
Width	80"
Height	84"
Weight	1,600 lbs.
HP Required	30 HP
Three Point Hitch	Category II
Drive Type	Hydraulic
Bale Guides	Adjustable (4' or 5')



# BALE WRAPPER

Prices Effective as of 11-19

## TL1000R

### TL1000R

Individual Round Bale Wrapper

**\$10,695.00**

#### FEATURES

- Wraps 4' x 4' & 5' x 5'6" round bales
- **Twin Wrap Kit (offset) uses two rolls of 30" film**
- Wrap Counter
- Requires 30 HP
- Hydraulically powered
- Mounts on Category II 3PH
- Skidshoes/rollers
- Transport Lock
- Wrap cutter

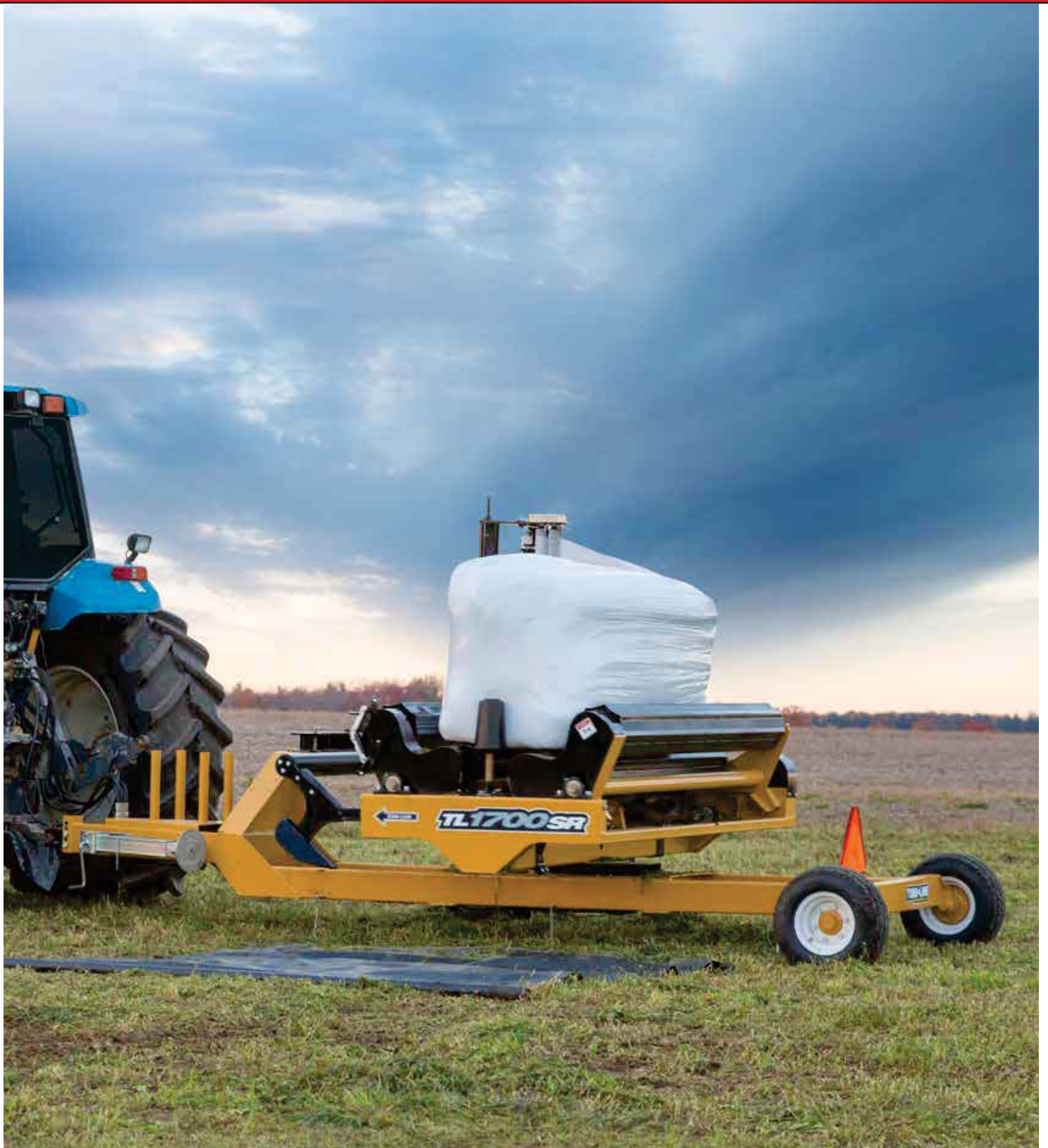
#### SPECIFICATIONS

- Shipping Weight: 1,600 lbs.
- Shipping Dimensions: 104" x 80"



Prices and Specifications may be subject to change without notice. Prices do not include shipping or setup.

# BALE WRAPPER



**TUBE·LINE™**  
MANUFACTURING LTD

## BALE WRAPPER

# TL1700SR

## Individual Wrapper

Hydraulically powered, the TL1700SR can easily switch between round and square bales by moving the secondary drive shaft on either of the appropriate stub shafts. Each stub shaft changes the drive ratio to provide the appropriate advancement of the bale. When the carrier arm is placed in the wrapping position, the carrier can be raised or lowered, centering the wrap on the bale to provide even plastic coverage throughout the wrapping process. The TL1700SR is also equipped with Tubeline's Twin Wrap Kit which laminates two layers together to form a stronger 2-ply layer of plastic. The Twin Wrap Kit is offset creating a 4" lead which ensures optimal overlap as the film is layered.

The wrapper's integrated bale mat protects the wrapped bale from being punctured as it is dumped, while the bale bumper ensures the bale lands far enough away from the wrapper so the table can rotate while the next bale is started. After dumping the bale, one of the two integrated knives easily slices through the plastic wrap. An easy to use wrap counter allows you to set the desired number of rotations of wrap per bale and displays the current rotation.

Specifications	TL1700SR
Bale Size (Square)	3' x 3' bales up to 7'
Bale Size (Round)	4' x 4' to 5' x 5'6"
Film Width	30" (x2)
Length	192"
Width	82"
Height	95"
Weight	2,865 lbs.
HP Required	30
Hitch	Trailer (Clevis)
Drive Type	Hydraulic
Guide Roller	2



Optional Power Pack



Film Crank



Adjustable Guide Rollers



Drive Selection



Bale Bumper & Bale Mat



Twin Wrap (Fixed 4" Offset)



# BALE WRAPPER

Prices Effective as of 11-19

## TL1700SR



### TL1700SR

Individual Square & Round Bale Wrapper

#### FEATURES

- railer Model
- Wraps 3' x 3' square bales from 4 feet to 7 feet lon
- Wraps 4' x 4' & 5' x 5'v round bale
- **Twin Wrap Kit (offset) uses two rolls of 30" film**
- Wrap Counte
- Requires 30 H
- Hydraulically powere
- Wrap cutte

#### SPECIFICATIONS

- Shipping eight: 2,865 lbs.
- Shipping Dimensions: 192" x 82

**TL1700SR**                    **\$25,115.00**  
Base Model

**TL1700SR-MFC**            **\$25,520.00**  
Base + Manual Flow Control

**TL1700SR-P**                **\$31,510.00**  
Base + Power Pack

**TL1700SR-A**                **\$36,245.00**  
Base + Auto Cycling

**TL1700SR-PA**              **\$42,930.00**  
Base + Power Pack (*incl. hydraulic cooler*) + Auto Cycling

### Automatic Wrapping Option with Remote Control

Convert your TL 1700SR Bale Wrapper to fully automatic cycling with our new Automatic Wrapping Option.

#### FEATURES

- Fully automatic cyclin
- Remote auto start and stop from the tractors sea
- Easy to use console for wrapper intializing and setu



### OPTIONS

41963	Manual Flow Control	\$405.00
40983	Optional 13HP Honda Power Pack	\$6,395.00
47494	Hydraulic Cooler for TL1700 ( <i>required for auto cycling option 45477</i> )	\$1,330.00
45477	Automatic Wrapping Option with remote control ( <i>for use with power pack</i> )	\$11,135.00
45478	Automatic Wrapping Option with remote control ( <i>for use with tractor</i> )	\$11,135.00

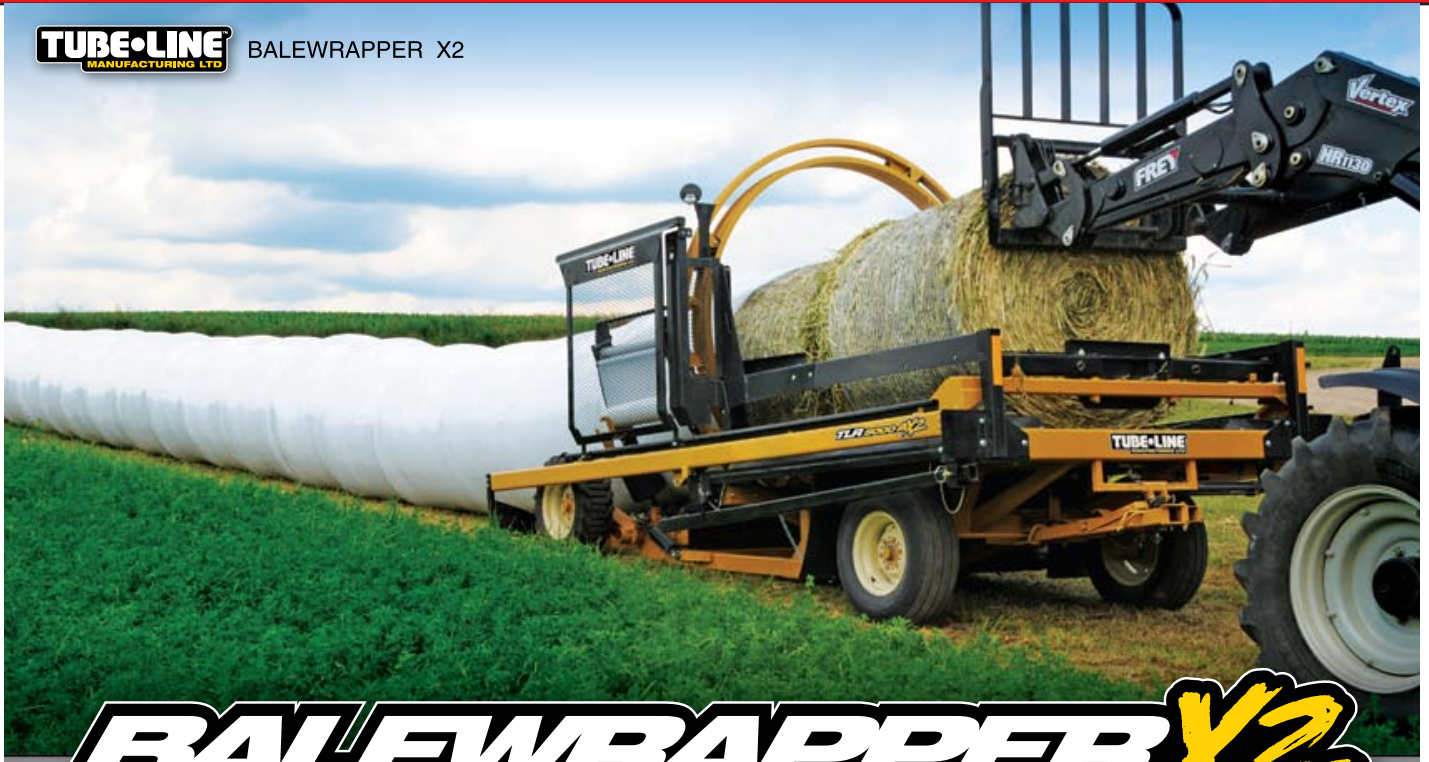


Prices and Specifications may be subject to change without notice. Prices do not include shipping or setup.

# BALE WRAPPER

**TUBE·LINE**  
MANUFACTURING LTD

BALEWRAPPER X2



## **BALEWRAPPER X2**

LAYING DOWN THE LINE.



The difference between good feed and great feed is time.

When the bales are ready, you need a wrapper that is efficient and reliable.

Tubeline Balewrappers are ready to lay down the line.

LAYING DOWN THE LINE

**TUBE·LINE**  
MANUFACTURING LTD

 **GENERAL  
IMPLEMENT**  
DISTRIBUTORS



# BALE WRAPPER

## TLR 5000 AX2



### FEATURES

Starting with the proven performance of the Tubeline wrapping system we focused on developing a wrapper that catered to the needs of the round only operators. We simplified, streamlined and improved until we came up with the TLR5000 AX2.



#### ENGINE PLACEMENT

The engine is placed below the main controls for easy access and control.



#### LIMIT SWITCH

Allows you to change the cycle times to fit your bales.



#### LARGE FUEL TANK

A high capacity fuel tank means less stops for fill ups.



#### ROLLER WHEELS ON RAM

Reduced friction allows push ram to move with less wear on the frame.

### OPTIONS



#### TWIN WRAP KIT

Double the protection and seal in less time.



#### REMOTE CONTROL

Control the wrapper from the tractor with this rugged controller.



#### 20 HP ENGINE

Upgrade to a 20 HP 613 cc engine with high flow pump for a faster cycle time.



#### GUIDE ROLLER

The bale guide roller is the support for wrapping on uneven ground.



#### FILM SENSOR

Shuts the wrapper down when the film roll is empty so no bales are missed.



#### HYDRUALIC DRIVE KIT

Easily drive and reposition without towing. Available in single or dual wheel drive configurations.



#### WORK LIGHT

Keep working until the job is done, even after the sun is gone.





# BALE WRAPPER

## FEATURES

**BALEWRAPPER X2**

### QUICK SET-UP



- Tow into Position
- Place & Wrap End-Capped Bale
- Fold Away Tongue
- Lower Deck and Wrap Away

### LOWER DECK HEIGHT



### DECK TIGHT PACK



Deck to ground contact provides the friction needed for a tight pack between bales.



No need to self propel from the end of the row due to our pull away design. The TLR5000AX2 tows from front, always keeping the tongue accessible.

### TOWING & SAFETY

Unlike other wrapping systems, Tubeline's adjustable tongue is located opposite the end the bales are wrapped, making moving and repositioning a simple task. Safety cages are interlocked with the automatic cycle. When the cage is open the Balewrapper will not run. Shut the Balewrapper down instantly with the E button on the main panel or with the optional remote control from 100 feet away.

### FINAL BALE PUSH OFF

Finishing a row is now a simple task. Push the final capped bale through with the fold out Ram. Then ease the bale down the beaver tail with our patented slide out push off arms and cross bar.



### PRODUCTION & VALUE WRAPPED UP

We lowered the table to make loading easier for you. We integrated the Quick Start deck for quicker row start up and reduce time between rows. Built from the ground up to provide you with the best round bale wrapping experience because when you wrap thousands of bales it's the small things that make a big difference.



### SPECIFICATIONS: TLR 5000 AX2

Overall Length	18'
Width	9'
Height	9'
Weight	5000 LBS.
Power	13 Hp Honda
Electric Start	Standard
Alternator	18 Amp.
Hydraulics	Self-contained
Controls	Electric over Hydraulic
Tires	(2) 11L x 15 8 Ply (2) 27 x 10.5 Traction
Quick Start Leveling	Quick Deck Adjust
Brakes (Compactor)	Deck Tight Pack
Steering	Electric over Hydraulic
Emergency Stop	E Stop Button
Hydraulic Tail Gate	N/A - Fixed
Transport Lights	Standard

### Bale

Round	Up to 5' 6"
Square	N/A
Film Stretcher	(2) 30" x 55%
Bale Alignment	Fixed Bale Guides
Bale Guide Rollers	Standard
Wrapping Capacity	120 Bales/Hr.
Hoop Speed	Adj. Flow Control Valve

### Shipping Dimensions

Length	18'
Width (Without Guards)	8'
Height	9'

# BALE WRAPPER

## TL5500 AX2



### FEATURES

The tried and proven workhorse of Tubeline's family of wrappers. Built for efficiency and adaptability. Wrap round bales up to 5 and a half feet and with a few quick adjustments wrap 3x3 squares. The versatility and dependability you need.



#### ENGINE PLACEMENT

The engine is placed below the main controls for easy access and control.



#### ROLLER BED LOCKING LEVER

Switch from round to square by raising and lowering the roller bed with over-center lever that locks into position.



#### LIMIT SWITCH

Allows you to change the cycle times to fit your bales.



#### LARGE FUEL TANK

A high capacity fuel tank means less stops for fill ups.



#### ROLLER WHEELS ON RAM

Reduced friction allows push ram to move with less wear on the frame.

### OPTIONS



#### QUICK START JACK

A level roller bed secures the first bale for a tight packed start to your row.



#### TWIN WRAP KIT

Double the protection and seal in less time.



#### REMOTE CONTROL

Control the wrapper from the tractor with this rugged controller.



#### 20 HP ENGINE

Upgrade to a 20 HP 613 cc engine with high flow pump for a faster cycle time.



#### GUIDE ROLLER

The bale guide roller is the support for wrapping on uneven ground.

**TUBE-LINE**  
MANUFACTURING LTD

**GENERAL  
IMPLEMENT**  
DISTRIBUTORS



# BALE WRAPPER

## FEATURES

**BALEWRAPPER X2**



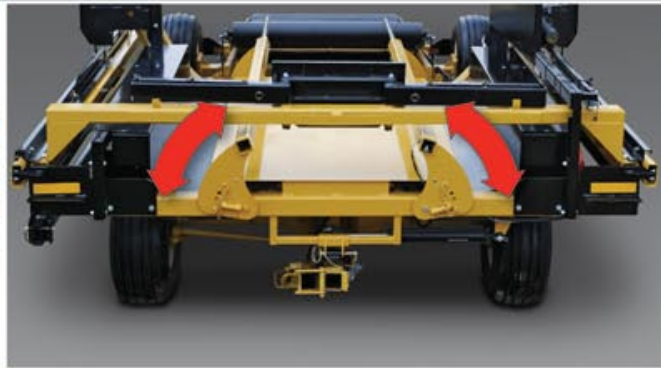
No need to self propel from the end of the row due to our pull away design. The TL5500AX2 tows from front, always keeping the tongue accessible.

### TOWING & SAFETY

Unlike other wrapping systems, Tubeline's adjustable tongue is located opposite the end the bales are wrapped, making moving and repositioning a simple task. Safety cages are interlocked with the automatic cycle. When the cage is open the Balewrapper will not run. Shut the Balewrapper down instantly with the E button on the main panel or with the optional remote control from 100 feet away.

### ROUND AND SQUARE BALES

The X2 has added features that re-define efficient wrapping. Starting a new row now takes only one bale. Switching from round to square bales is a quick lift of the roller bed with an over-center lever. The engine and control panel are placed neatly together. Both safety guards slide away for easy access. And, the final bale push-off is now only a two-step process.



### FINAL BALE PUSH OFF

Finishing a row is now a simple task. Push the final capped bale through with the fold out Ram. Then ease the bale down the beaver tail with our patented slide out push off arms and cross bar.

### SPECIFICATIONS: TL 5500 AX2

Overall Length	25' 6"
Width	9'
Height	9'
Weight	5250 LBS.
Power	13 Hp Honda
Electric Start	Standard
Alternator	18 Amp.
Hydraulics	Self-contained
Controls	Electric over Hydraulic
Standard Tires	(4) 11L x 15 8 Ply
Tires	(2) 11L x 15 8 Ply
With Power Drive	(2) 29 x 10.5 Traction
Quick Start Leveling	Hyd. Lift Jack (Opt.)
Brakes (Compactor)	Adjustable Cam Action
Steering	Electric over Hydraulic
Emergency Stop	E Stop Button
Hydraulic Tail Gate	Standard
Transport Lights	Standard

### Bale

Round	Up to 5' 6"
Square	Up to 3' x 3' x 5' 6"
Film Stretcher	(2) 30" x 55%
Bale Alignment	Adjustable
Bale Guide Rollers	Optional
Wrapping Capacity	120 Bales/Hr.
Hoop Speed	Adj. Flow Control Valve

### Shipping Dimensions

Length	16' 5"
Width (Without Guards)	8'
Height	9'



### FILM SENSOR

Shuts the wrapper down when the film roll is empty so no bales are missed.



### HYDRUALIC DRIVE KIT

Easily drive and reposition without towing. Available in single or dual wheel drive configurations.



### NIGHT WORK LIGHT

Keep working until the job is done, even after the sun is gone.

# BALE WRAPPER

## FEATURES

**BALEWRAPPER X2**



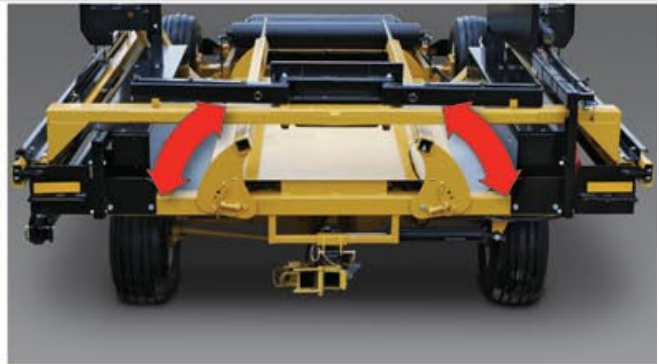
No need to self propel from the end of the row due to our pull away design. The TL6500AX2 tows from front, always keeping the tongue accessible.

### TOWING & SAFETY

Unlike other wrapping systems, Tubeline's adjustable tongue is located opposite the end the bales are wrapped, making moving and repositioning a simple task. Safety cages are interlocked with the automatic cycle. When the cage is open the Balewrapper will not run. Shut the Balewrapper down instantly with the E button on the main panel or with the optional remote control from 100 feet away.

### ROUND AND SQUARE BALES

The X2 has added features that re-define efficient wrapping. Starting a new row now takes only one bale. Switching from round to square bales is a quick lift of the roller bed with an over-center lever. The engine and control panel are placed neatly together. Both safety guards slide away for easy access. And, the final bale push-off is now only a two-step process.



### FINAL BALE PUSH OFF

Finishing a row is now a simple task. Push the final capped bale through with the fold out Ram. Then ease the bale down the beaver tail with our patented slide out push off arms and cross bar.

## OPTIONS



#### GUIDE ROLLER

The bale guide roller is the support for wrapping on uneven ground.



#### FILM SENSOR

Shuts the wrapper down when the film roll is empty so no bales are missed.



#### HYDRUALIC DRIVE KIT

Easily drive and reposition without towing. Available in single or dual wheel drive configurations.



#### NIGHT WORK LIGHT

Keep working until the job is done, even after the sun is gone.

### SPECIFICATION: TL 6500 AX2

Overall Length	25' 6"
Width	10' 8"
Height	10' 7"
Weight	7015 LBS.
Power	20Hp Honda with High Flow Pump
Electric Start	Standard
Alternator	18 Amp.
Hydraulics	Self-contained
Controls	Electric over Hydraulic
Tires	(4) 12.5 x 15 Highway Service
Brakes (Compactor)	Adjustable Cam Action
Steering	Electric over Hydraulic
Emergency Stop	E Stop Button
Hydraulic Tail Gate	Standard
Transport Lights	Standard

### Bale

Round	Up to 6'
Square	Up to 3' x 3' x 7'
Film Stretcher	(2) 30" x 55%
Bale Alignment	Adjustable Bale Guides
Bale Guide Rollers	Optional
Wrapping Capacity	120 Bales/Hr.
Hoop Speed	Adj. Flow Control Valve

### Shipping Dimensions

Length	18'
Width (Without Guards)	10' 8"
Height	10' 4"



# BALE WRAPPER

Prices Effective as of 11-19

## BALEWRAPPER X2

## ELECTRONIC CONTROL VALVE BALEWRAPPER ECV



### TLR5000AX2

#### Automatic Continuous Round Bale Wrapper

- Round Bale - up to 6
- Shipping weight: 5,100 lbs.
- Shipping Dimensions: 19' x 8'6"

*Note: weight and dimensions are approximate.*

#### Standard Equipment on TLR5000AX2

- See the complete list of standard features at [www.tubeline.ca](http://www.tubeline.ca)
- Electric start 13 HP Honda gas engine (18 amp charging system)
- Hydraulic over centre cam axl
- Lug tires on rear axl
- Quick Start Power Jac
- Proprietary FILM SNAP

**\$40,965.00**

### TLR5000ECV

#### Automatic Continuous Round Bale Wrapper

- Round Bale - up to 6
- Shipping weight: 5,100 lbs.
- Shipping Dimensions: 19' x 8'6"

*Note: weight and dimensions are approximate.*

#### Standard Equipment on TLR5000ECV

- See the complete list of standard features at [www.tubeline.ca](http://www.tubeline.ca)
- large hoop now accomodates bales up to 6 feet
- Electric start 13 HP Honda gas engine (18 amp charging system)
- Hydraulic over centre cam axle to pack bales tightl
- Lug tires on rear axl
- Quick Start Power Jac
- Proprietary FILM SNAP

**\$45,130.00**

## OPTIONS

TLRSSKX2HD	Remote Steering & Shutdown Kit (Start - Cycle Start) (Stop – Engine Stop)	<b>\$1,560.00</b>
TLRSSKX2HDE	Same as above (TLRSSKX2HD), includes remote engine start	<b>\$1,745.00</b>
TLRSSKX2HDECV	Remote Steering & Shutdown Kit <i>(ECV models)</i>	<b>\$1,745.00</b>
	(Start - Cycle Start) (Stop – Engine Stop) includes remote engine start	
TLGS	Laser Guidance System	<b>\$2,070.00</b>
TLGSECV	Laser Guidance System <i>(ECV models)</i>	<b>\$1,105.00</b>
TLNWLK	Night Working light Kit 3 Halogen lamps <i>(factory install)</i>	<b>\$270.00</b>
TLNWLKLED	Night Working Light Kit 3 LED lights <i>(factory install)</i>	<b>\$590.00</b>
TLGR	Guide Rollers on discharge ramp (Std on 5000)	<b>\$620.00</b>
TLHPD5000	Single Hydraulic Power Drive (for model 5000, TL50 & TL60)	<b>\$1,070.00</b>
TLHPDD5000	Dual Hydraulic Power Drive (for model 5000, TL50 & TL60)	<b>\$2,120.00</b>
TLPSSK	Plastic Sensor Shutdown Kit	<b>\$315.00</b>
TLPSSKW	Wireless Plastic Sensor Shutdown Kit	<b>\$1,145.00</b>
TLPSSKWEVCV	Wireless Plastic Sensor Shutdown Kit <i>(ECV models)</i>	<b>\$1,145.00</b>
TLTWK	Twin Wrap Kit (for two double plastic rolls per tensioner)	<b>\$760.00</b>
TL20HP	20 HP Honda Engine Kit c/w High Flow Pump (for model 5000, TL50 & TL60)	<b>\$2,890.00</b>
TLMPO-5000	Bale Dispatch Spring Assist Final Push Off Arm	<b>\$1,175.00</b>



Prices and Specifications may be subject to change without notice. Prices do not include shipping or setup.

## BALEWRAPPER LSV LIMIT SWITCH VALVE



### TL50 LSV

#### Automatic Continuous Round Bale Wrapper

- Round Bale - up to 6'
- Shipping Weight: 6,300 lbs.
- Shipping Dimensions: 19' x 8'6"

*Note: weight and dimensions are approximate.*

#### Exclusive Features on TL50 LSV

- Extended wrapping chamber to accommodate offset twin wrap kit
- Over 100% more safety shielding
- New forward pivoting access door
- Bale counter

#### Additional Features

- See the complete list of standard features at [www.tubeline.ca](http://www.tubeline.ca)
- Electric start 13HP Honda gas engine (18 amp charging system)
- Hydraulic over centre cam axle
- Lug tires on rear axle
- Quick Start Power Jack
- Proprietary FILM SNAP

**TL50 LSV**                    **\$41,860.00**

Base Model

**TL50 LSV-SIL**            **\$45,865.00**

Base + Silver Package

**TL50 LSV-GOL**         **\$48,625.00**

Base + Gold Package

**TL50 LSV-PLA**         **\$53,065.00**

Base + Platinum Package

## BALEWRAPPER ECV ELECTRONIC CONTROL VALVE



### TL50 ECV

#### Automatic Continuous Round Bale Wrapper

- Round Bale - up to 6'
- Shipping Weight: 6,300 lbs.
- Shipping Dimensions: 19' x 8'6"

*Note: weight and dimensions are approximate.*

#### Exclusive Features on TL50 ECV

- Extended wrapping chamber to accommodate offset twin wrap kit
- Over 100% more safety shielding
- New forward pivoting access door
- Bale counter

#### Additional Features

- See the complete list of standard features at [www.tubeline.ca](http://www.tubeline.ca)
- Electric start 13HP Honda gas engine (18 amp charging system)
- Hydraulic over centre cam axle
- Lug tires on rear axle
- Quick Start Power Jack
- Proprietary FILM SNAP

**TL50 ECV**                    **\$46,025.00**

Base Model

**TL50 ECV-SIL**            **\$50,025.00**

Base + Silver Package

**TL50 ECV-GOL**         **\$52,785.00**

Base + Gold Package

**TL50 ECV-PLA**         **\$57,230.00**

Base + Platinum Package





# BALE WRAPPER

## PREFERRED OPTION PACKAGES

### SILVER PACKAGE

Wireless Plastic Sensor Shutdown Kit  
 Remote Steer / Shut Down (includes Remote Start)  
 LED Work Lights  
 Bale Dispatch (side mounted arm)  
 Includes Silver Package Badging

### GOLD PACKAGE

Wireless Plastic Sensor Shutdown Kit  
 Remote Steer / Shut Down (includes Remote Start)  
 20HP Engine  
 LED Work Lights  
 Bale Dispatch (side mounted arm)  
 Includes Gold Package Badging

### PLATINUM PACKAGE

Wireless Plastic Sensor Shutdown Kit  
 Remote Steer / Shut Down (includes Remote Start)  
 LED Work Lights  
 Bale Dispatch (side mounted arm)  
 20HP Engine  
 Offset Twin Wrap Kit  
 Dual Power Drive  
 Laser Guidance System  
 Includes Platinum Package Badging

## OPTIONS

<b>TLRSSKX2HD</b>	Remote Steering & Shutdown Kit (Start - Cycle Start) (Stop – Engine Stop)	<b>\$1,560.00</b>
<b>TLRSSKX2HDE</b>	Same as above (TLRSSKX2HD), includes remote engine start	<b>\$1,745.00</b>
<b>TLRSSKX2HDECV</b>	Remote Steering & Shutdown Kit ( <i>ECV models</i> ) (Start - Cycle Start) (Stop – Engine Stop) includes remote engine start	<b>\$1,745.00</b>
<b>TLGS</b>	Laser Guidance System	<b>\$2,070.00</b>
<b>TLGSECV</b>	Laser Guidance System ( <i>ECV models</i> )	<b>\$1,105.00</b>
<b>TLNWLK</b>	Night Working light Kit 3 Halogen lamps ( <i>factory install</i> )	<b>\$270.00</b>
<b>TLNWLKLED</b>	Night Working Light Kit 3 LED lights ( <i>factory install</i> )	<b>\$590.00</b>
<b>TLNWLKECV</b>	Night Working Light Kit 3 LED lights ( <i>factory install</i> )	<b>\$590.00</b>
<b>TLGR50</b>	Guide Rollers on discharge ramp ( <i>TL50</i> )	<b>\$620.00</b>
<b>TLHPD5000</b>	Single Hydraulic Power Drive	<b>\$1,070.00</b>
<b>TLHPDD5000</b>	Dual Hydraulic Power Drive	<b>\$2,120.00</b>
<b>TLTWKOFF</b>	Offset Twin Wrap Kit (for two double plastic rolls per tensioner)	<b>\$760.00</b>
<b>TLPSSK</b>	Plastic Sensor Shutdown Kit	<b>\$315.00</b>
<b>TLPSSKW</b>	Wireless Plastic Sensor Shutdown Kit	<b>\$1,145.00</b>
<b>TLPSSKWEVCV</b>	Wireless Plastic Sensor Shutdown Kit ( <i>ECV models</i> )	<b>\$1,145.00</b>
<b>TL20HP</b>	20 HP Honda Engine Kit c/w High Flow Pump	<b>\$2,890.00</b>
<b>TLMPO-5000</b>	Bale Dispatch Spring Assist Final Push Off Arm	<b>\$1,175.00</b>
<b>TLRF</b>	Suspension Axle (Front axle only)	<b>\$1,735.00</b>



## BALEWRAPPER LSV LIMIT SWITCH VALVE



## BALEWRAPPER ECV ELECTRONIC CONTROL VALVE



### TL60 LSV

#### Automatic Continuous Round & Square Bale Wrapper

- Round Bale - up to 6'
- Square Bales - up to 3' x 3' x 6'
- Shipping Weight: 7,600 lbs.
- Shipping Dimensions: 19' 8" x 8' 6"

*Note: weight and dimensions are approximate.*

#### Exclusive Features on TL60 LSV

- Extended wrapping chamber to accommodate offset twin wrap kit
- Over 100% more safety shielding
- New forward pivoting access door
- Bale counter

#### Additional Features

- See the complete list of standard features at [www.tubeline.ca](http://www.tubeline.ca)
- Electric start 13HP Honda gas engine (18 amp charging system)
- Hydraulic Steering
- Hydraulic over centre cam axle
- Lug tires on rear axle
- Quick Start Power Jack
- Square bale riser kit to accept 6 ft. long square bales
- Side hill roller kit
- Proprietary FILM SNAP

**TL60 LSV**      **\$49,150.00**

Base Model

**TL60 LSV-SIL**      **\$53,155.00**

Base + Silver Package

**TL60 LSV-GOL**      **\$55,910.00**

Base + Gold Package

**TL60 LSV-PLA**      **\$60,355.00**

Base + Platinum Package

### TL60 ECV

#### Automatic Continuous Round & Square Bale Wrapper

- Round Bale - up to 6'
- Square Bales - up to 3' x 3' x 6'
- Shipping Weight: 7,600 lbs.
- Shipping Dimensions: 19'8" x 8'6"

*Note: weight and dimensions are approximate.*

#### Exclusive Features on TL60 ECV

- Extended wrapping chamber to accommodate offset twin wrap kit
- Over 100% more safety shielding
- New forward pivoting access door
- Bale counter

#### Additional Features

- See the complete list of standard features at [www.tubeline.ca](http://www.tubeline.ca)
- Electric start 13HP Honda gas engine (18 amp charging system)
- Hydraulic Steering
- Hydraulic over centre cam axle
- Lug tires on rear axle
- Quick Start Power Jack
- Square bale riser kit to accept 6 ft. long square bales
- Side hill roller kit
- Proprietary FILM SNAP

**TL60 ECV**      **\$53,315.00**

Base Model

**TL60 ECV-SIL**      **\$57,320.00**

Base + Silver Package

**TL60 ECV-GOL**      **\$60,100.00**

Base + Gold Package

**TL60 ECV-PLA**      **\$64,515.00**

Base + Platinum Package





## PREFERRED OPTION PACKAGES

### SILVER PACKAGE

Wireless Plastic Sensor Shutdown Kit  
 Remote Steer / Shut Down (includes Remote Start)  
 LED Work Lights  
 Bale Dispatch (side mounted arm)  
 Includes Silver Package Badging

### GOLD PACKAGE

Wireless Plastic Sensor Shutdown Kit  
 Remote Steer / Shut Down (includes Remote Start)  
 20HP Engine  
 LED Work Lights  
 Bale Dispatch (side mounted arm)  
 Includes Gold Package Badging

### PLATINUM PACKAGE

Wireless Plastic Sensor Shutdown Kit  
 Remote Steer / Shut Down (includes Remote Start)  
 LED Work Lights  
 Bale Dispatch (side mounted arm)  
 20HP Engine  
 Offset Twin Wrap Kit  
 Dual Power Drive  
 Laser Guidance System  
 Includes Platinum Package Badging

## OPTIONS

<b>TLRSSKX2HD</b>	Remote Steering & Shutdown Kit (Start - Cycle Start) (Stop – Engine Stop)	<b>\$1,560.00</b>
<b>TLRSSKX2HDE</b>	Same as above (TLRSSKX2HD), includes remote engine start	<b>\$1,745.00</b>
<b>TLRSSKX2HDECV</b>	Remote Steering & Shutdown Kit ( <i>ECV models</i> ) (Start - Cycle Start) (Stop – Engine Stop) includes remote engine start	<b>\$1,745.00</b>
<b>TLGS</b>	Laser Guidance System	<b>\$2,070.00</b>
<b>TLGSECV</b>	Laser Guidance System ( <i>ECV models</i> )	<b>\$1,105.00</b>
<b>TLNWLK</b>	Night Working light Kit 3 Halogen lamps ( <i>factory install</i> )	<b>\$270.00</b>
<b>TLNWLKLED</b>	Night Working Light Kit 3 LED lights ( <i>factory install</i> )	<b>\$590.00</b>
<b>TLNWLKECV</b>	Night Working Light Kit 3 LED lights ( <i>factory install</i> )	<b>\$590.00</b>
<b>TLHPD5000</b>	Single Hydraulic Power Drive	<b>\$1,070.00</b>
<b>TLHPDD5000</b>	Dual Hydraulic Power Drive	<b>\$2,120.00</b>
<b>TLTWKOFF</b>	Offset Twin Wrap Kit (for two double plastic rolls per tensioner)	<b>\$760.00</b>
<b>TLPSSK</b>	Plastic Sensor Shutdown Kit	<b>\$315.00</b>
<b>TLPSSKW</b>	Wireless Plastic Sensor Shutdown Kit	<b>\$1,145.00</b>
<b>TLPSSKWEVCV</b>	Wireless Plastic Sensor Shutdown Kit ( <i>ECV models</i> )	<b>\$1,145.00</b>
<b>TL20HP</b>	20 HP Honda Engine Kit c/w High Flow Pump	<b>\$2,890.00</b>
<b>TLMPO-6000</b>	Bale Dispatch Spring Assist Final Push Off Arm	<b>\$1,175.00</b>
<b>TLRF</b>	Suspension Axle (Front axle only)	<b>\$1,735.00</b>



## BALEWRAPPER LSV LIMIT SWITCH VALVE



### TL70LSV

#### Automatic Continuous Round & Square Bale Wrapper

- Round Bale - up to 6'
- Square Bales - 3' x 3' x 7' - 4' x 4' x 6'
- Square Bales (double stacked) - 3' x 3' x 5' 6" - 3' x 4' x 5' 6"
- Shipping Weight: 9,600 lbs.
- Shipping Dimensions: 17' x 10'6" (wide load permits required)

*Note: weight and dimensions are approximate.*

#### Exclusive Features on TL70 LSV

- Extended wrapping chamber to accommodate offset twin wrap kit
- Over 100% more safety shielding
- New forward pivoting access door
- Bale counter

#### Additional Features

- See the complete list of standard features at [www.tubeline.ca](http://www.tubeline.ca)
- 20 HP Honda Engine Kit c/w High Flow Pump & Fuel Pump
- Hydraulic Steering
- Hydraulic lift ramp
- Square bale riser kit to accept 7 ft. long bales
- Offset Twin wrap kit (for two double plastic rolls per pre-tensioner)
- Remote steering & shutdown kit (includes remote start)
- Proprietary FILM SNAP

**TL70 LSV-GOL**     **\$65,900.00**  
Gold Package

**TL70 LSV-PLA**     **\$70,850.00**  
Platinum Package

## BALEWRAPPER ECV ELECTRONIC CONTROL VALVE



### TL70ECV

#### Automatic Continuous Round & Square Bale Wrapper

- Round Bale - up to 6'
- Square Bales - 3' x 3' x 7' - 4' x 4' x 6'
- Square Bales (double stacked) - 3' x 3' x 5' 6" - 3' x 4' x 5' 6"
- Shipping Weight: 9,600 lbs.
- Shipping Dimensions: 17' x 10'6" (wide load permits required)

*Note: weight and dimensions are approximate.*

#### Exclusive Features on TL70 ECV

- Extended wrapping chamber to accommodate offset twin wrap kit
- Over 100% more safety shielding
- New forward pivoting access door
- Bale counter

#### Additional Features

- See the complete list of standard features at [www.tubeline.ca](http://www.tubeline.ca)
- 20 HP Honda Engine Kit c/w High Flow Pump & Fuel Pump
- Hydraulic Steering
- Hydraulic lift ramp
- Square bale riser kit to accept 7 ft. long bales
- Offset Twin wrap kit (for two double plastic rolls per pre-tensioner)
- Remote steering & shutdown kit (includes remote start)
- Proprietary FILM SNAP

**TL70 ECV-GOL**     **\$69,900.00**  
Gold Package

**TL70 ECV-PLA**     **\$74,850.00**  
Platinum Package



# BALE WRAPPER

Prices Effective as of 11-19

## PREFERRED OPTION PACKAGES

### GOLD PACKAGE

---

Wireless Plastic Sensor Shutdown Kit  
Remote Steer / Shut Down (includes Remote Start)  
20HP Engine  
LED Work Lights  
Offset Twin Wrap Kit  
Bale Dispatch (side mounted arm)  
Includes Gold Package Badging

### PLATINUM PACKAGE

---

Wireless Plastic Sensor Shutdown Kit  
Remote Steer / Shut Down (includes Remote Start)  
LED Work Lights  
Bale Dispatch (side mounted arm)  
20HP Engine  
Offset Twin Wrap Kit  
Dual Power Drive  
Laser Guidance System  
Includes Platinum Package Badging

### Special Note on TL70 Model Configurations:

Please note that the TL70 is only available in either the Gold or Platinum configurations.  
There is no lesser configuration available with a la cart options.

## OPTIONS

TLGS	Laser Guidance System	\$2,070.00
TLGSECV	Laser Guidance System ( <i>ECV models</i> )	\$1,105.00
TLHPDD6500	Dual Hydraulic Power Drive	\$3,425.00
TLRF	Suspension Axle (Front axle only)	\$1,735.00



Prices and Specifications may be subject to change without notice. Prices do not include shipping or setup.