

TUBE•LINE
MANUFACTURING LTD

PIT BULL™

DOZER BLADES

A FARMER'S BEST FRIEND



 **GENERAL
IMPLEMENT**
DISTRIBUTORS

FOUR WHEEL DRIVE TRACTOR MODELS





Take control of your material handling and increase the productivity of your four wheel drive tractor with the Pitbull dozer blade. Designed to move the most material in every pass, the Pitbull blade offers the operator the ultimate maneuverability with available 8-way blade control. The blades' easy, quick attach and most compact mounting system available make Pitbull the top dog for silage, dirt and snow applications.

To increase functionality, Pitbull features easy hydraulics connection, ratchet-style adjustable skid shoes and a convenient support leg that folds up while the blade is in use. Built using T1 grade steel with AR400 wear points, Pitbull blades are made in Canada and come with a 2-Year Warranty. Pitbull blades for four wheel drive tractors are available in models designed for 300-600HP category and 400-600HP category tractors.

TUBE•LINE
MANUFACTURING LTD



HUB

- No bulky lift assembly
- Hydraulic quick attach
- High ground clearance

HITCHLESS UNDERMOUNT BRACKET

Pitbull gives operators the most advanced blade in the market, featuring our exclusive HUB design, the industry's only parallel lift blade and hitchless undermount bracket.

The HUB is Pitbull's answer to completely eliminating a bulky and awkward lifting assembly permanently mounted to the nose of the tractor. The HUB's slim design also provides impressive ground clearance at nearly factory specification.



8-WAY BLADE CONTROL

Take command and control on each pass, putting silage, dirt and snow exactly where you want it with Pitbull's available 8-way blade control, including parallel lift and forward pitch.

PARALLEL LIFT

Lift high and straight using Pitbull's parallel lift design. Parallel lift keeps the blade facing the load, maintaining edge control and rolling material forward.



FORWARD PITCH

Gain greater edge precision with forward pitch control, tipping the blade forward for greater edge pressure and improved back dragging.



30° SIDE ANGLE

Move material side-to-side with the pushing strength of Pitbull's heavy-duty hydraulic cylinders for angling.



10° TILT ANGLE

Easily shape the pile or reach low with hydraulic tilting control.





FEATURES



ADJUSTABLE SKID SHOES

Raise and lower the heavy plate skid shoes to the perfect height using the ratchet style adjustment.



FOLDING LEG

Easily fold up the support leg with a single pin while the blade is in use.



MITERED ENDS

For precision dozing flush against walls when the blade is angled.



EASY HYDRAULICS CONNECTION

Connect all hydraulic hoses at one time with the simple lever that makes hook up hassle-free.



ALL-WHEEL STEERING TRACTOR UNDERMOUNT

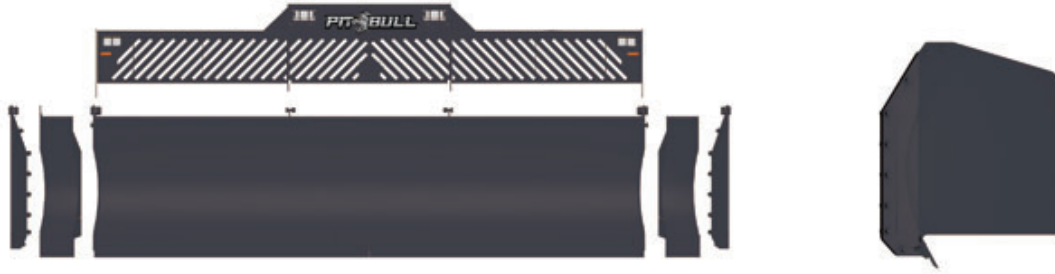
Unleash your tractor's versatility with Pitbull's All-Wheel Steering Tractor Undermount system.



Pitbull's unique Undermount system for All-Wheel Steering tractors offers a new breed of dozer blade performance. When removing the blade, the lift assembly tucks tightly against the nose of your tractor for clear sightlines and easy road travel. The full undermount disconnect is also a simple process, with only a few coupling brackets remaining as your tractor is restored to near original ground clearance.

3-POINT HITCH MOUNTS ALSO AVAILABLE





LED Lights (Optional):
Don't let darkness get in the way of working during good weather with the optional LED lighting system available on the grill extension.

Grill Extension (Optional):
Push more material without sacrificing your visual sight-lines with the bolt-on height extension.

Bolt-on Extensions (Optional):
Maximize each pass with 12-inch bolt-on extensions, giving you 24 inches of extra blade width.

Bolt-on End Plates (Optional):
Attach end plates to your Pitbull Blade to achieve a higher load capacity.

MODEL SPECIFICATIONS

FWD 3060 HP Range 300-600

Mould Board Height	48"
Lift Height*	48"

4-Way FWD3060 Series

Model	Width	Weight**
FWD30604W12	12' Blade	8007 lbs
FWD30604W14	14' Blade	8200 lbs
FWD30604W16	16' Blade	8395 lbs
FWD30604W18	18' Blade	8592 lbs
FWD30604W20	20' Blade	8786 lbs

8-Way FWD3060 Series

Model	Width	Weight**
FWD30608W12	12' Blade	8454 lbs
FWD30608W14	14' Blade	8647 lbs
FWD30608W16	16' Blade	8842 lbs
FWD30608W18	18' Blade	9039 lbs
FWD30608W20	20' Blade	9233 lbs

FWD 4060 HD HP Range 400-600

Mould Board Height	48"
Lift Height*	48"

4-Way FWD4060HD Series

Model	Width	Weight**
FWD4060HD4W14	14' Blade	9348 lbs
FWD4060HD4W16	16' Blade	9623 lbs
FWD4060HD4W18	18' Blade	9899 lbs
FWD4060HD4W20	20' Blade	10176 lbs

8-Way FWD4060HD Series

Model	Width	Weight**
FWD4060HD8W14	14' Blade	9814 lbs
FWD4060HD8W16	16' Blade	10089 lbs
FWD4060HD8W18	18' Blade	10365 lbs
FWD4060HD8W20	20' Blade	10642 lbs

*Lift height may vary depending on tractor model
**Weight includes silage extension and undermount



Pitbull warrants to the original purchaser all products to be free from defects in material and workmanship for a period of two (2) years from the date of purchase.

Produced by Tube-Line Manufacturing Ltd.



FRONT WHEEL ASSIST TRACTOR MODELS ALSO AVAILABLE



www.pitbullblades.com



MODEL**3060 AG**

12' Blade

**Standard Features**

- 300 hp - 600 hp rating
- 12 Foot Wide Mouldboard
- 48" High Mouldboard
- 30° Angle Left and Right
- Parallel Lift Height 48" (approx.)

Model	Description	Wt. (lbs)	List Price
FWD3060AG4W12-23	4 Way 12' Dozer Blade c/w Tractor Mount <ul style="list-style-type: none"> • Hydraulic Forward Pitch 	8,007*	\$60,200.00
FWD3060AG8W12-23	8 Way 12' Dozer Blade c/w Tractor Mount <ul style="list-style-type: none"> • Hydraulic Forward Pitch • 10° Tilt 	8,454*	\$62,800.00
FWD3060AG4W123PH-23	4 Way 12' Dozer Blade c/w 3 Point Hitch Mounting Brackets <ul style="list-style-type: none"> • 10° Tilt 	3,900**	\$26,300.00
FWD3060AG6W123PH-23	6 Way 12' Dozer Blade c/w 3 Point Hitch Mounting Brackets <ul style="list-style-type: none"> • 10° Tilt 	4,150**	\$29,250.00

* Approximate shipping weight, includes silage extension and mounting kit

** Approximate shipping weight, includes silage extension

Options	Description	QTY	List Price
SE306012MF	Manual Fold Silage Extension (28" High)	1	\$2,800.00
SE306012HF	Hydraulic Folding Silage Extension (28" High)	1	\$4,950.00
SE306012HF3PH	Hydraulic Folding Silage Extension (28" High) for 3PH	1	\$4,335.00
SHVEP306036-23	Silage High Vol. Endplates-Notched (36" deep from centre of blade)	2	\$4,225.00
HVEP306036-23	High Vol. Endplates-Full Length (36" deep from centre of blade)	2	\$4,225.00
DB3060AGBOE12-23	12" Wide bolt on Mouldboard Extension	2	\$4,560.00
DB3060AGBOE24-23	24" Wide bolt on Mouldboard Extension	2	\$6,030.00
DB3060LK23	LED Light Kit	2	\$3,150.00
DB3060LK3PH-23	3PH LED Light Kit	2	\$3,150.00



MODEL

3060 AG

**14'
Blade**



Standard Features

- 300 hp - 600 hp rating
- 14 Foot Wide Mouldboard
- 48" High Mouldboard
- 30° Angle Left and Right
- Parallel Lift Height 48" (approx.)

Model	Description	Wt. (lbs)	List Price
FWD3060AG4W14-23	4 Way 14' Dozer Blade c/w Tractor Mount <ul style="list-style-type: none"> • Hydraulic Forward Pitch 	8,200*	\$61,900.00
FWD3060AG8W14-23	8 Way 14' Dozer Blade c/w Tractor Mount <ul style="list-style-type: none"> • Hydraulic Forward Pitch • 10° Tilt 	8,647*	\$64,500.00
FWD3060AG4W143PH-23	4 Way 14' Dozer Blade c/w 3 Point Hitch Mounting Brackets <ul style="list-style-type: none"> • 10° Tilt 	4,100**	\$30,610.00
FWD3060AG6W143PH-23	6 Way 14' Dozer Blade c/w 3 Point Hitch Mounting Brackets <ul style="list-style-type: none"> • 10° Tilt 	4,350**	\$33,150.00

* Approximate shipping weight, includes silage extension and mounting kit

** Approximate shipping weight, includes silage extension

Options	Description	QTY	List Price
SE306014MF	Manual Fold Silage Extension (28" High)	1	\$2,950.00
SE306014HF	Hydraulic Folding Silage Extension (28" High)	1	\$5,100.00
SE306014HF3PH	Hydraulic Folding Silage Extension (28" High) for 3PH	1	\$4,485.00
SHVEP306036-23	Silage High Vol. Endplates-Notched (36" deep from centre of blade)	2	\$4,225.00
HVEP306036-23	High Vol. Endplates-Full Length (36" deep from centre of blade)	2	\$4,225.00
DB3060AGBOE12-23	12" Wide bolt on Mouldboard Extension	2	\$4,560.00
DB3060AGBOE24-23	24" Wide bolt on Mouldboard Extension	2	\$6,030.00
DB3060LK23	LED Light Kit	2	\$3,150.00
DB3060LK3PH-23	3PH LED Light Kit	2	\$3,150.00





MODEL

3060 AG

16' Blade



Standard Features

- 300 hp - 600 hp rating
- 16 Foot Wide Mouldboard
- 48" High Mouldboard
- 30° Angle Left and Right
- Parallel Lift Height 48" (approx.)

Model	Description	Wt. (lbs)	List Price
FWD3060AG4W16-23	4 Way 16' Dozer Blade c/w Tractor Mount <ul style="list-style-type: none"> • Hydraulic Forward Pitch 	8,395*	\$63,650.00
FWD3060AG8W16-23	8 Way 16' Dozer Blade c/w Tractor Mount <ul style="list-style-type: none"> • Hydraulic Forward Pitch • 10° Tilt 	8,842*	\$66,210.00
FWD3060AG4W163PH-23	4 Way 16' Dozer Blade c/w 3 Point Hitch Mounting Brackets <ul style="list-style-type: none"> • 10° Tilt 	4,300**	\$31,850.00
FWD3060AG6W163PH-23	6 Way 16' Dozer Blade c/w 3 Point Hitch Mounting Brackets <ul style="list-style-type: none"> • 10° Tilt 	4,550**	\$34,050.00

* Approximate shipping weight, includes silage extension and mounting kit

** Approximate shipping weight, includes silage extension

Options	Description	QTY	List Price
SE306016MF	Manual Fold Silage Extension (28" High)	1	\$3,050.00
SE306016HF	Hydraulic Folding Silage Extension (28" High)	1	\$5,200.00
SE306016HF3PH	Hydraulic Folding Silage Extension (28" High) for 3PH	1	\$4,585.00
SHVEP306036-23	Silage High Vol. Endplates-Notched (36" deep from centre of blade)	2	\$4,225.00
HVEP306036-23	High Vol. Endplates-Full Length (36" deep from centre of blade)	2	\$4,225.00
DB3060AGBOE12-23	12" Wide bolt on Mouldboard Extension	2	\$4,560.00
DB3060LK23	LED Light Kit	2	\$3,150.00
DB3060LK3PH-23	3PH LED Light Kit	2	\$3,150.00





MODEL

3060 AG

**18'
Blade**



Standard Features

- 300 hp - 600 hp rating
- 18 Foot Wide Mouldboard
- 48" High Mouldboard
- 30° Angle Left and Right
- Parallel Lift Height 48" (approx.)

Model	Description	Wt. (lbs)	List Price
FWD3060AG4W18-23	4 Way 18' Dozer Blade c/w Tractor Mount <ul style="list-style-type: none"> • Hydraulic Forward Pitch 	8,592*	\$65,350.00
FWD3060AG8W18-23	8 Way 18' Dozer Blade c/w Tractor Mount <ul style="list-style-type: none"> • Hydraulic Forward Pitch • 10° Tilt 	9,039*	\$67,950.00
FWD3060AG4W183PH-23	4 Way 18' Dozer Blade c/w 3 Point Hitch Mounting Brackets <ul style="list-style-type: none"> • 10° Tilt 	4,500**	\$32,670.00
FWD3060AG6W183PH-23	6 Way 18' Dozer Blade c/w 3 Point Hitch Mounting Brackets <ul style="list-style-type: none"> • 10° Tilt 	4,750**	\$34,850.00

* Approximate shipping weight, includes silage extension and mounting kit

** Approximate shipping weight, includes silage extension

Options	Description	QTY	List Price
SE306018MF	Manual Fold Silage Extension (28" High)	1	\$3,350.00
SE306018HF	Hydraulic Folding Silage Extension (28" High)	1	\$5,500.00
SE306018HF3PH	Hydraulic Folding Silage Extension (28" High) for 3PH	1	\$4,885.00
SHVEP306036-23	Silage High Vol. Endplates-Notched (36" deep from centre of blade)	2	\$4,225.00
HVEP306036-23	High Vol. Endplates-Full Length (36" deep from centre of blade)	2	\$4,225.00
DB3060AGBOE12-23	12" Wide bolt on Mouldboard Extension	2	\$4,560.00
DB3060AGBOE24-23	24" Wide bolt on Mouldboard Extension	2	\$6,030.00
DB3060LK23	LED Light Kit	2	\$3,150.00
DB3060LK3PH-23	3PH LED Light Kit	2	\$3,150.00





MODEL

3060 AG

**20'
Blade**



Standard Features

- 300 hp - 600 hp rating
- 20 Foot Wide Mouldboard
- 48" High Mouldboard
- 30° Angle Left and Right
- Parallel Lift Height 48" (approx.)

Model	Description	Wt. (lbs)	List Price
FWD3060AG4W20-23	4 Way 20' Dozer Blade c/w Tractor Mount <ul style="list-style-type: none"> • Hydraulic Forward Pitch 	8,786*	\$67,060.00
FWD3060AG8W20-23	8 Way 20' Dozer Blade c/w Tractor Mount <ul style="list-style-type: none"> • Hydraulic Forward Pitch • 10° Tilt 	9,233*	\$69,650.00
FWD3060AG4W203PH-23	4 Way 20' Dozer Blade c/w 3 Point Hitch Mounting Brackets <ul style="list-style-type: none"> • 10° Tilt 	4,700**	\$34,050.00
FWD3060AG6W203PH-23	6 Way 20' Dozer Blade c/w 3 Point Hitch Mounting Brackets <ul style="list-style-type: none"> • 10° Tilt 	4,950**	\$36,300.00

* Approximate shipping weight, includes silage extension and mounting kit

** Approximate shipping weight, includes silage extension

Options	Description	QTY	List Price
SE306020MF	Manual Fold Silage Extension (28" High)	1	\$3,715.00
SE306020HF	Hydraulic Folding Silage Extension (28" High)	1	\$5,865.00
SE306020HF3PH	Hydraulic Folding Silage Extension (28" High) for 3PH	1	\$5,250.00
SHVEP306036-23	Silage High Vol. Endplates-Notched (36" deep from centre of blade)	2	\$4,225.00
HVEP306036-23	High Vol. Endplates-Full Length (36" deep from centre of blade)	2	\$4,225.00
DB3060AGBOE12-23	12" Wide bolt on Mouldboard Extension	2	\$4,560.00
DB3060AGBOE24-23	24" Wide bolt on Mouldboard Extension	2	\$6,030.00
DB3060LK23	LED Light Kit	2	\$3,150.00
DB3060LK3PH-23	3PH LED Light Kit	2	\$3,150.00





MODEL
4060 HD

12' Blade



Standard Features

- 400 hp - 700 hp rating
- 12 Foot Wide Mouldboard
- 48" High Mouldboard
- 30° Angle Left and Right
- Parallel Lift Height 48" (approx.)

Model	Description	Wt. (lbs)	List Price
FWD4060HD4W12-23	4 Way 12' Dozer Blade c/w Tractor Mount <ul style="list-style-type: none"> • Hydraulic Forward Pitch 	9,073*	\$61,900.00
FWD4060HD8W12-23	8 Way 12' Dozer Blade c/w Tractor Mount <ul style="list-style-type: none"> • Hydraulic Forward Pitch • 10° Tilt 	9,539*	\$66,200.00

* Approximate shipping weight, includes silage extension and mounting kit

Options	Description	QTY	List Price
SE306012MF	Manual Fold Silage Extension (28" High)	1	\$2,800.00
SE306012HF	Hydraulic Folding Silage Extension (28" High)	1	\$4,950.00
SHVEP406036-23	Silage High Vol. Endplates-Notched (36" deep from centre of blade)	2	\$4,225.00
HVEP406036-23	High Vol. Endplates-Full Length (36" deep from centre of blade)	2	\$4,225.00
DB4060HDBOE12-23	12" Wide bolt on Mouldboard Extension	2	\$4,560.00
DB3060LK23	LED Light Kit	4	\$3,150.00





MODEL
4060 HD

14'
Blade



Standard Features

- 400 hp - 700 hp rating
- 14 Foot Wide Mouldboard
- 48" High Mouldboard
- 30° Angle Left and Right
- Parallel Lift Height 48" (approx.)

Model	Description	Wt. (lbs)	List Price
FWD4060HD4W14-23	4 Way 14' Dozer Blade c/w Tractor Mount <ul style="list-style-type: none"> • Hydraulic Forward Pitch 	9,348*	\$64,100.00
FWD4060HD8W14-23	8 Way 14' Dozer Blade c/w Tractor Mount <ul style="list-style-type: none"> • Hydraulic Forward Pitch • 10° Tilt 	9,814*	\$68,400.00

* App oximate shipping weight, includes silage extension and mounting kit

Options	Description	QTY	List Price
SE306014MF	Manual Fold Silage Extension (28" High)	1	\$2,950.00
SE306014HF	Hydraulic Folding Silage Extension (28" High)	1	\$5,100.00
SHVEP406036-23	Silage High Vol. Endplates-Notched (36" deep from centre of blade)	2	\$4,225.00
HVEP406036-23	High Vol. Endplates-Full Length (36" deep from centre of blade)	2	\$4,225.00
DB4060HDBOE12-23	12" Wide bolt on Mouldboard Extension	2	\$4,560.00
DB3060LK23	LED Light Kit	4	\$3,150.00





MODEL

4060 HD

16' Blade



Standard Features

- 400 hp - 700 hp rating
- 16 Foot Wide Mouldboard
- 48" High Mouldboard
- 30° Angle Left and Right
- Parallel Lift Height 48" (approx.)

Model

FWD4060HD4W18-23

9,623*

FWD4060HD8W18-23

* Approximate shipping weight, includes silage extension and mounting kit

Options	Description	QTY	List Price
SE306016MF	Manual Fold Silage Extension (28" High)	1	\$3,050.00
SE306016HF	Hydraulic Folding Silage Extension (28" High)	1	\$5,200.00
SHVEP406036-23	Silage High Vol. Endplates-Notched (36" deep from centre of blade)	2	\$4,225.00
HVEP406036-23	High Vol. Endplates-Full Length (36" deep from centre of blade)	2	\$4,225.00
DB4060HDBOE12-23	12" Wide bolt on Mouldboard Extension	2	\$4,560.00
DB3060LK23	LED Light Kit	4	\$3,150.00





MODEL
4060 HD

18' Blade



Standard Features

- 400 hp - 700 hp rating
- 18 Foot Wide Mouldboard
- 48" High Mouldboard
- 30° Angle Left and Right
- Parallel Lift Height 48" (approx.)

Model	Description	Wt. (lbs)	List Price
FWD4060HD4W18-23	4 Way 18' Dozer Blade c/w Tractor Mount <ul style="list-style-type: none"> • Hydraulic Forward Pitch 	9,899*	\$68,360.00
FWD4060HD8W18-23	8 Way 18' Dozer Blade c/w Tractor Mount <ul style="list-style-type: none"> • Hydraulic Forward Pitch • 10° Tilt 	10,365*	\$72,700.00

* Approximate shipping weight, includes silage extension and mounting kit

Options	Description	QTY	List Price
SE306018MF	Manual Fold Silage Extension (28" High)	1	\$3,350.00
SE306018HF	Hydraulic Folding Silage Extension (28" High)	1	\$5,500.00
SHVEP406036-23	Silage High Vol. Endplates-Notched (36" deep from centre of blade)	2	\$4,225.00
HVEP406036-23	High Vol. Endplates-Full Length (36" deep from centre of blade)	2	\$4,225.00
DB4060HDBOE12-23	12" Wide bolt on Mouldboard Extension	2	\$4,560.00
DB3060LK23	LED Light Kit	4	\$3,150.00





MODEL

4060 HD

20' Blade



Standard Features

- 400 hp - 700 hp rating
- 20 Foot Wide Mouldboard
- 48" High Mouldboard
- 30° Angle Left and Right
- Parallel Lift Height 48" (approx.)

Model	Description	Wt. (lbs)	List Price
FWD4060HD4W20-23	4 Way 20' Dozer Blade c/w Tractor Mount <ul style="list-style-type: none"> • Hydraulic Forward Pitch 	10,176*	\$70,500.00
FWD4060HD8W20-23	8 Way 20' Dozer Blade c/w Tractor Mount <ul style="list-style-type: none"> • Hydraulic Forward Pitch • 10° Tilt 	10,642*	\$74,810.00

* Approximate shipping weight, includes silage extension and mounting kit

Options	Description	QTY	List Price
SE306020MF	Manual Fold Silage Extension (28" High)	1	\$3,715.00
SE306020HF	Hydraulic Folding Silage Extension (28" High)	1	\$5,865.00
SHVEP406036-23	Silage High Vol. Endplates-Notched (36" deep from centre of blade)	2	\$4,225.00
HVEP406036-23	High Vol. Endplates-Full Length (36" deep from centre of blade)	2	\$4,225.00
DB4060HDBOE12-23	12" Wide bolt on Mouldboard Extension	2	\$4,560.00
DB3060LK23	LED Light Kit	4	\$3,150.00



Options



Silage Extension (Fixed)

The bolt on height extension increases your pushing surface.



Hydraulic Silage Extension

The hydraulic silage extension allows operators to raise or lower the silage extension for better visibility on the road or in the yard.



LED Lights

Don't let darkness get in the way with a mouldboard mounted LED light system.



Bolt-on

High Volume End Plates

Improves load control and carrying ability.



Bolt-on

Mouldboard Extensions

Increases the overall mouldboard width to move more material in each pass.

See blade models for available width(s).



Bolt-on

High Volume Silage End Plates

Notched bottom prevents the plates from bottoming out and improves material flow.

Tractor Mount **Guide**

Please contact the Tubeline office for current product availability.

Tractor Models	Tractor Type	UnderMount Item #	Tractor Model	Dozer Series
Challenger				
		UM3050F1038IVTFS	1038	3050AG
			1042	3050AG
			1046	3050AG
			1050	3050AG
		UM3060CMT845C	MT800	3060AG
			MT835	3060AG
			MT845	3060AG
			MT855	3060AG
			MT865	3060AG
			MT835B	3060AG
			MT845B	3060AG
			MT855B	3060AG/4060HD
			MT865B	3060AG/4060HD
			MT875B	3060AG/4060HD
			MT835C	3060AG
			MT845C	3060AG
			MT855C	3060AG/4060HD
			MT865C	3060AG/4060HD
			MT875C	3060AG/4060HD
		UM3060CMT945C	MT945B	3060AG
			MT955B	3060AG/4060HD
			MT965B	3060AG/4060HD
			MT975B	3060AG/4060HD
			MT945C	3060AG/4060HD
			MT955C	3060AG/4060HD
			MT965C	3060AG/4060HD
			MT975C	3060AG/4060HD
			MT955E	3060AG/4060HD
			MT965E	3060AG/4060HD
			MT975E	3060AG/4060HD
		UM3060CMT856	MT851	3060AG
			MT856	3060AG
			MT862	3060AG
			MT867	3060AG

Case				
MAGNUM and MX Series	FWA	UM1030CMA305NSPB	215	1030FWA
			245	1030FWA

Case				
			275	1030FWA
			305	1030FWA
			335	1030FWA
			MX215	1030FWA
			MX245	1030FWA
			MX275	1030FWA
			MX305	1030FWA
			MX335	1030FWA
MAGNUM and TIER 4	FWA	UM1030CMAG310	235	1030FWA
		UM1030MA310FSPB	250	1030FWA
			260	1030FWA
			280	1030FWA
			290	1030FWA
			310 - TIER 4	1030FWA
			315 - TIER 4	1030FWA
			340 - TIER 4	1030FWA
			380 - TIER 4	1030FWA
STEIGER / STX ACCUSTEER	4WD	UM3060CSTX275AS	STEIGER 335 accu	3060AG
			STX 275 accu	3060AG
			STX 280 accu	3060AG
			STX 325 accu	3060AG
			STX 330 accu	3060AG
			STX 335 accu	3060AG
STEIGER / STX Regular Duty	4WD	UM3060C385	STEIGER 385	3060AG
			STEIGER 435	3060AG
			STX 375	3060AG
			STX 380	3060AG
			STX 385	3060AG
			STX 425	3060AG
			STX 430	3060AG
			STX 435	3060AG
			STX 450	3060AG/4060HD
STEIGER / STX Heavy Duty	4WD	UM3060C385HD	STEIGER 385 HD	3060AG
			STEIGER 435 HD	3060AG
			STX 375 HD	3060AG
			STX 380 HD	3060AG
			STX 385 HD	3060AG
			STX 425	3060AG
			STX 425 HD	3060AG
			STX 430 HD	3060AG

Case				
			STX 435 HD	3060AG
			STX 440	3060AG
STEIGER / STX Heavy Duty	4WD	UM3060C385HD	STX 450	3060AG/4060HD
			STX 450 HD	3060AG/4060HD
			STX 500	3060AG/4060HD
			STX 500 HD	3060AG/4060HD
STEIGER / STX Heavy Duty	4WD	UM3060CSTX530HD	STEIGER 485 HD	3060AG/4060HD
			STEIGER 535 HD	3060AG/4060HD
			STX 480 HD	3060AG/4060HD
			STX 485 HD	3060AG/4060HD
			STX 530HD	3060AG/4060HD
			STX 535 HD	3060AG/4060HD
STIEGER Tier 4 (A) (B)	4WD	UM3060CIH400	350	3060AG
			370	3060AG
			400	3060AG
			420	3060AG
			450	3060AG/4060HD
			470	3060AG/4060HD
STIEGER Tier 4 (A) (B)	4WD	UM3060C600T4	500 HD	3060AG/4060HD
			540 STD	3060AG/4060HD
			540 HD	3060AG/4060HD
			550 STD	3060AG/4060HD
			550 HD	3060AG/4060HD
			580 HD	3060AG/4060HD
			600 HD	3060AG/4060HD
			620 HD	3060AG/4060HD
STX QUADTRAC	Quad Trac	UM3060C450QT	STX 375 HD	3060AG
			STX 425	3060AG
			STX 440	3060AG
			STX 450	3060AG/4060HD
			STX 500	3060AG/4060HD
STEIGER / STX QUADTRAC	Quad Trac	UM3060C385QT	STEIGER 435	3060AG
			STX 375	3060AG
			STX 380	3060AG
			STX 385	3060AG
			STX 425	3060AG
			STX 430	3060AG
			STX 435	3060AG
			STX 450	3060AG/4060HD
			STX 500	3060AG/4060HD

Case				
STEIGER / STX QUADTRAC	Quad Trac	UM3060C485HDQT	STEIGER 485 HD	3060AG/4060HD
			STEIGER 535 HD	3060AG/4060HD
			STX 480 HD	3060AG/4060HD
			STX 485 HD	3060AG/4060HD
			STX 530 HD	3060AG/4060HD
			STX 535 HD	3060AG/4060HD
STEIGER Tier 4 (A) (B) QUAD TRAC	Quad Trac	UM3060C450T4QT	450	3060AG/4060HD
			470	3060AG/4060HD
			500	3060AG/4060HD
			540	3060AG/4060HD
			550	3060AG/4060HD
			580	3060AG/4060HD
			600	3060AG/4060HD
			620	3060AG/4060HD

Fendt				
	FWA	UM3050F1038IVTFS	1038	3050AG
			1042	3050AG
			1046	3050AG
			1050	3050AG
	FWD	UM3060CMT856	MT851	3060AG
			MT856	3060AG
			MT862	3060AG
			MT867	3060AG
			1156	3060AG
			1162	3060AG
			1167	3060AG

Ford - NH				
T8. Series Tier 4		UM1030NHT8320PB	T8.275	1030FWA
			T8.300	1030FWA
			T8.320	1030FWA
			T8.330	1030FWA
			T8.350	1030FWA
			T8.360	1030FWA
			T8.380	1030FWA
			T8.390	1030FWA
			T8.410	1030FWA
			T8.435	1030FWA
T9. Series Tier 4A/4B		UM3060CIH400	T9.390	3060AG
			T9.435	3060AG
			T9.450	3060AG/4060HD
			T9.480	3060AG/4060HD

Ford - NH

			T9.505	3060AG/4060HD
			T9.530	3060AG/4060HD
			T9.560	3060AG/4060HD
			T9.565	3060AG/4060HD
T9.Series Tier 4A/4B		UM3060C600T4	T9.600	3060AG/4060HD
			T9.615	3060AG/4060HD
			T9.645	3060AG/4060HD
			T9.670	3060AG/4060HD
			T9.670 HD	3060AG/4060HD
			T9.700	3060AG/4060HD

John Deere

R Series	FWA	UM1030J7R230PB	7R 210	1030FWA
Includes IVT/AutoQuad PLUS/ PowerQuad PLUS/Command Quad			7R 230	1030FWA
Includes TLS Mount			7R 250	1030FWA
Do not fit Front PTO			7R 270	1030FWA
Fits e23 Transmission			7R 290	1030FWA
			7R 310	1030FWA
			7R 330	1030FWA
			7R 350	1030FWA
	FWA	UM1030J8200PB	8100	1030FWA
			8200	1030FWA
			8300	1030FWA
			8400	1030FWA
			8110	1030FWA
			8210	1030FWA
			8310	1030FWA
			8410	1030FWA
R Series	FWA	UM1030J8225RPSTPB	8225R	1030FWA
**30 Series			8245R	1030FWA
Power Shift Transmission ONLY			8270R	1030FWA
			8295R	1030FWA
			8320R	1030FWA
			8345R	1030FWA
			8130	1030FWA
			8230	1030FWA
			8330	1030FWA
			8430	1030FWA
			8530	1030FWA
R Series	FWA	UM1030J8295RT4PSTPB	8235R	1030FWA
			8260R	1030FWA
Power Shift Transmission ONLY			8285R	1030FWA
Fits Final T4			8310R	1030FWA

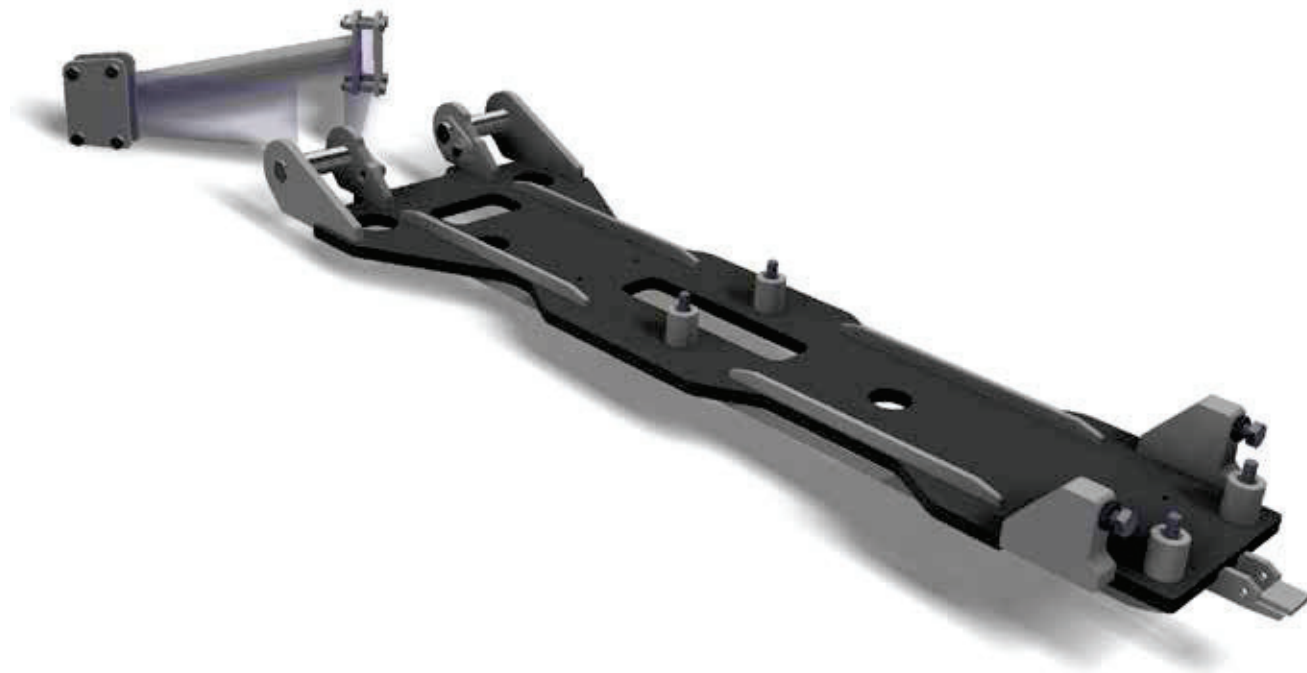
			8335R	1030FWA
			8360R	1030FWA
			8245R T4	1030FWA
			8270R T4	1030FWA
			8295R T4	1030FWA
			8320R T4	1030FWA
			8345R T4	1030FWA
			8370R T4	1030FWA
R Series	FWA	UM1030J8130IVTPB	8225R	1030FWA
**30 Series			8245R	1030FWA
IVT Transmission ONLY			8270R	1030FWA
			8295R	1030FWA
			8320R	1030FWA
			8345R	1030FWA
			8130	1030FWA
			8230	1030FWA
			8330	1030FWA
			8430	1030FWA
			8530	1030FWA
R Series	FWA	UM1030J8295RT4IVTFSPB	8235R	1030FWA
IVT Transmission ONLY			8260R	1030FWA
Fits Final T4			8285R	1030FWA
			8310R	1030FWA
			8335R	1030FWA
			8360R	1030FWA
			8245R T4	1030FWA
			8270R T4	1030FWA
			8295R T4	1030FWA
			8320R T4	1030FWA
			8345R T4	1030FWA
			8370R T4	1030FWA
8R Series 2020	FWA	UM1030J8R310FSPB	8R 230	1030FWA
			8R 250	1030FWA
			8R 280	1030FWA
			8R 310	1030FWA
			8R 340	1030FWA
			8R 370	1030FWA
			8R 410	1030FWA
	4WD	UM3060J9520	9100	3060AG
			9200	3060AG
			9300	3060AG
			9400	3060AG

			9120	3060AG
			9220	3060AG
			9320	3060AG
			9420	3060AG/4060HD
			9520	3060AG/4060HD
			9620	3060AG/4060HD
	4WD	UM3060J9430	9230	3060AG
			9330	3060AG
			9430	3060AG
			9530	3060AG/4060HD
			9630	3060AG/4060HD
R Series	4WD	UM3060J9460R	9360R	3060AG
			9410R	3060AG
			9460R	3060AG/4060HD
			9510R	3060AG/4060HD
			9560R	3060AG/4060HD
R Series	4WD	UM3060J9470R	9370R	3060AG
2014 final tier 4 models			9420R	3060AG
Single Reduction Axle			9470R	3060AG/4060HD
R Series	4WD	UM3060J9520R	9520R	3060AG
2014 final tier 4 models			9570R	4060HD
Double Reduction Axle			-	-
Without hydra cushion			-	-
R Series	4WD	UM3060J9570R	9520R	3060AG/4060HD
2014 final tier 4 models			9570R	3060AG/4060HD
Double Reduction Axle			9620R	3060AG/4060HD
With hydra cushion			-	-
RX Series		UM3060J9620RX	9420RX	3060AG/4060HD
			9470RX	3060AG/4060HD
			9520RX	3060AG/4060HD
			9570RX	3060AG/4060HD
			9620RX	3060AG/4060HD
R Series		UM3060J9R640	9R 390	3060AG
2022 model and onward			9R 440	3060AG
			9R 490	3060AG
			9R 540	3060AG
			9R 590	4060HD
			9R 640	4060HD
R Series model and onward		UM3060J9RX640	9RX 490	3060AG
			9RX 540	3060AG
			9RX 590	3060AG
			9RX 640	3060AG

New Holland				
TJ Series		UM3060C385HD	TJ 375 HD	3060AG
			TJ 425	3060AG
			TJ 440	3060AG
			TJ 450	3060AG/4060HD
			TJ 500	3060AG/4060HD
TJ and T90** Series		UM3060C385	T9030	3060AG
			T9040	3060AG
			TJ 375	3060AG
			TJ 380	3060AG
			TJ 425	3060AG
			TJ 430	3060AG
			TJ 450	3060AG/4060HD
TJ and T90** HD Series		UM3060C385HD	T9030 HD	3060AG
			T9040 HD	3060AG
			TJ 375 HD	3060AG
			TJ 380 HD	3060AG
			TJ 425 HD	3060AG
			TJ 430 HD	3060AG
			TJ 450 HD	3060AG/4060HD
			TJ 500 HD	3060AG/4060HD

Versatile				
	4WD	UM3060V375	350	3060AG
			375	3060AG
			380	3060AG
			400	3060AG
			405	3060AG
			430	3060AG
			460	3060AG
	4WD	UM3060V500	450	3060AG/4060HD
			500	3060AG/4060HD
			520	3060AG/4060HD
			550	3060AG/4060HD
			570	3060AG/4060HD
			610	3060AG/4060HD
	Delta Track	UM3060V450DT	450DT	3060AG/4060HD
			500DT	3060AG/4060HD
			520DT	3060AG/4060HD
			550DT	3060AG/4060HD
			570DT	3060AG/4060HD
			610DT	3060AG/4060HD

Undermount Reinforcement for 3 Point Hitch



Fendt				
	FWA	UM3050F1038IVTFS	1038	3050AG
			1042	3050AG
			1046	3050AG
			1050	3050AG