

5134
TOP shot

Figure 1

Auger/Liner/Sides Hitch

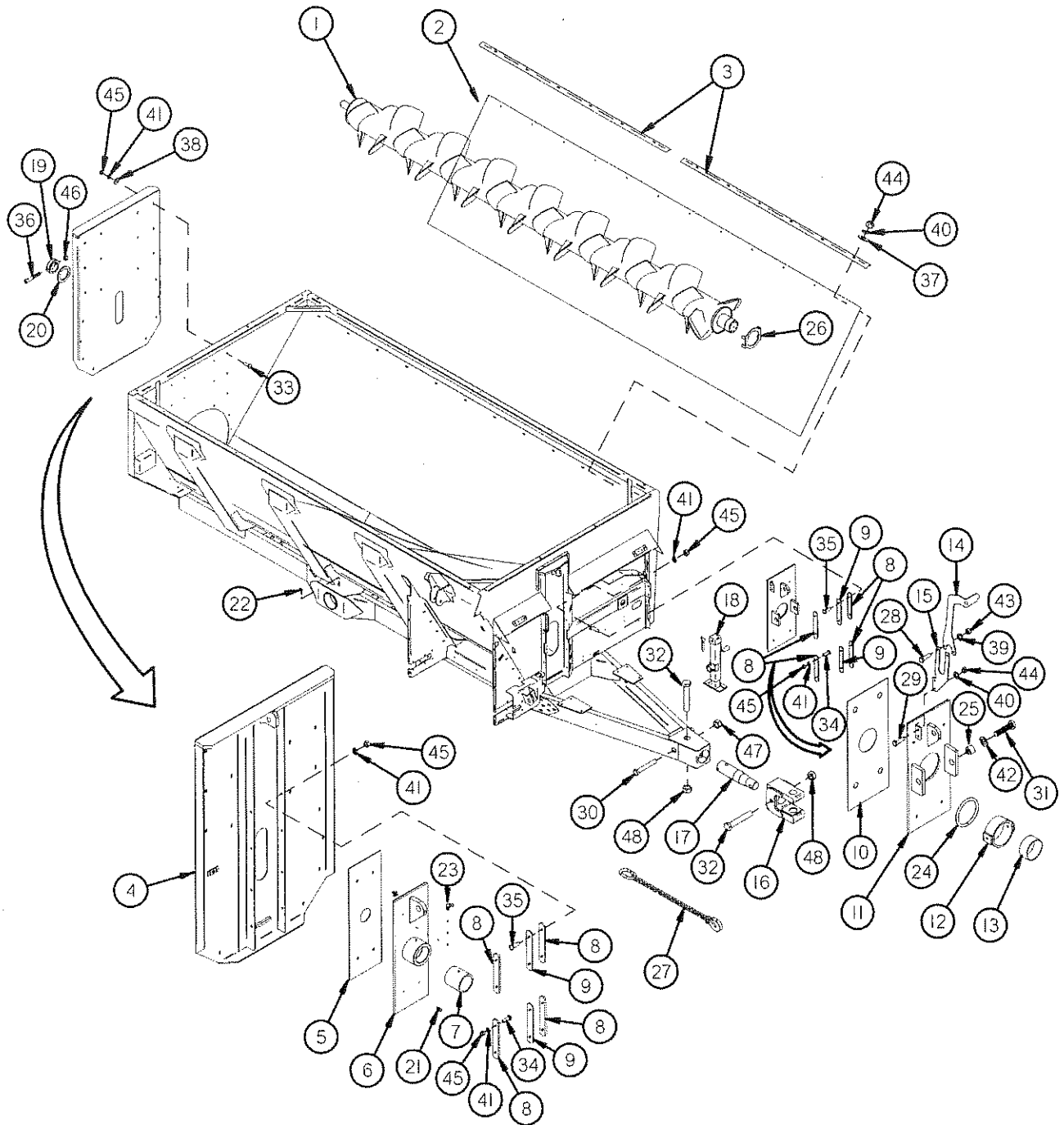


Figure 1 Auger/Liner/Sides Hitch

<u>ITEM #</u>	<u>QUANTITY</u>	<u>PART #</u>	<u>DESCRIPTION</u>
1	1	TS200	AUGER
2	1	TS201	TUB SIDE POLY
3	1	TS4	POLY TOP HOLD DOWN
4	1	TS202	BACK PANEL
5	1	TS7	BACK SLIDER POLY
6	1	TS8	BACK SLIDER
7	1	TS9	REAR AUGER BUSHING
8	8	TS10	SLIDER GUIDE
9	6	TS308	SLIDER GUIDE THIN
10	1	TS203	FRONT POLY SLIDE
11	1	TS204	FRONT SLIDE PLATE
12	1	TS205	TRUNNION HOUSING
13	1	TS206	FRONT AUGER BEARING
14	1	TS207	AUGER INDICATOR TOP
15	1	TS208	AUGER INDICATOR BOTTOM
16	1	TS209	SCALE HITCH CLEVIS
17	1	TS210	HITCH BAR STRAIGHT
18	1	TS306	JACK, SIDE WIND, 7000LBS
19	1	TS19	AUGER BACK COLLAR
20	A/R	TS227	SPACER 2-17/32" (THICK)
*	A/R	TS28	SPACER 2-17/32" (THIN)
21	4	G89	1/4" GREASE ZERK
22	1	DWM133	1/8" 45° ZERK (RIGHT SIDE AXLE)
*	1	BFR28	1/8" NPT GREASE ZERK (LEFT SIDE AXLE)
23	1	RG51	GREASE ZERK 90 DEGREE
24	1	TS229	6" RUBBER RING
25	2	TS230	BUSHING 3/4" X 7/8"
26	1	TS320	WEAR PLATE 6 INCH
27	1	WM367	SAFETY CHAIN (OPTIONAL)
28	2	YBHH08100	BOLT, 1/4" X 3/4" GR. 5
29	2	YBHH10105	BOLT, 5/16" X 3/4" GR. 5
30	1	YBHH20101	BOLT, HEX HEAD, 5/8" X 6" GR. 8
31	2	YBHH24018	BOLT, HEX HEAD, 3/4"-10 X 2" GR. 8, YELLOW ZINC FINISH
32	2	YBHH32026	BOLT, HEX HEAD, 1" X 6" GR. 8
33	20	YBCR12010	CARR. BOLT, 3/8" X 1" GR. 5
34	8	YBCR12020	CARR. BOLT, 3/8" X 1-1/4" GR. 5
35	8	YBCR12015	CARR. BOLT, 3/8" X 1-1/2" GR. 5
36	1	YSHS12018	SOCKET HEAD CAP SCREW, 3/8" X 4"
37	12	YWFL10005	WASHER, FLAT, 5/16" USS
38	20	YWFL12005	WASHER, FLAT, 3/8" USS
39	2	YWLO08005	WASHER, LOCK, 1/4"
40	14	YWLO10005	WASHER, LOCK, 5/16"
41	36	YWLO12005	WASHER, LOCK, 3/8"
42	2	YWLO24005	WASHER, LOCK, 3/4"
43	2	YNHX08005	HEX NUT, 1/4"-20
44	14	YNHX10005	HEX NUT, 5/16"
45	36	YNHX12005	HEX NUT, 3/8"-16
46	1	YNL12005	HEX NUT, TOP LOCK, 3/8"-16
47	1	YNRL20005	HEX NUT, REVERSIBLE-SIDE LOCK, 5/8"-11
48	2	YNRL32005	HEX NUT, REVERSIBLE-SIDE LOCK, 1"-8

NOTE: * MEANS NOT SHOWN
A/R: AS REQUIRED

5134

Figure 2 Auger & Expeller Drive

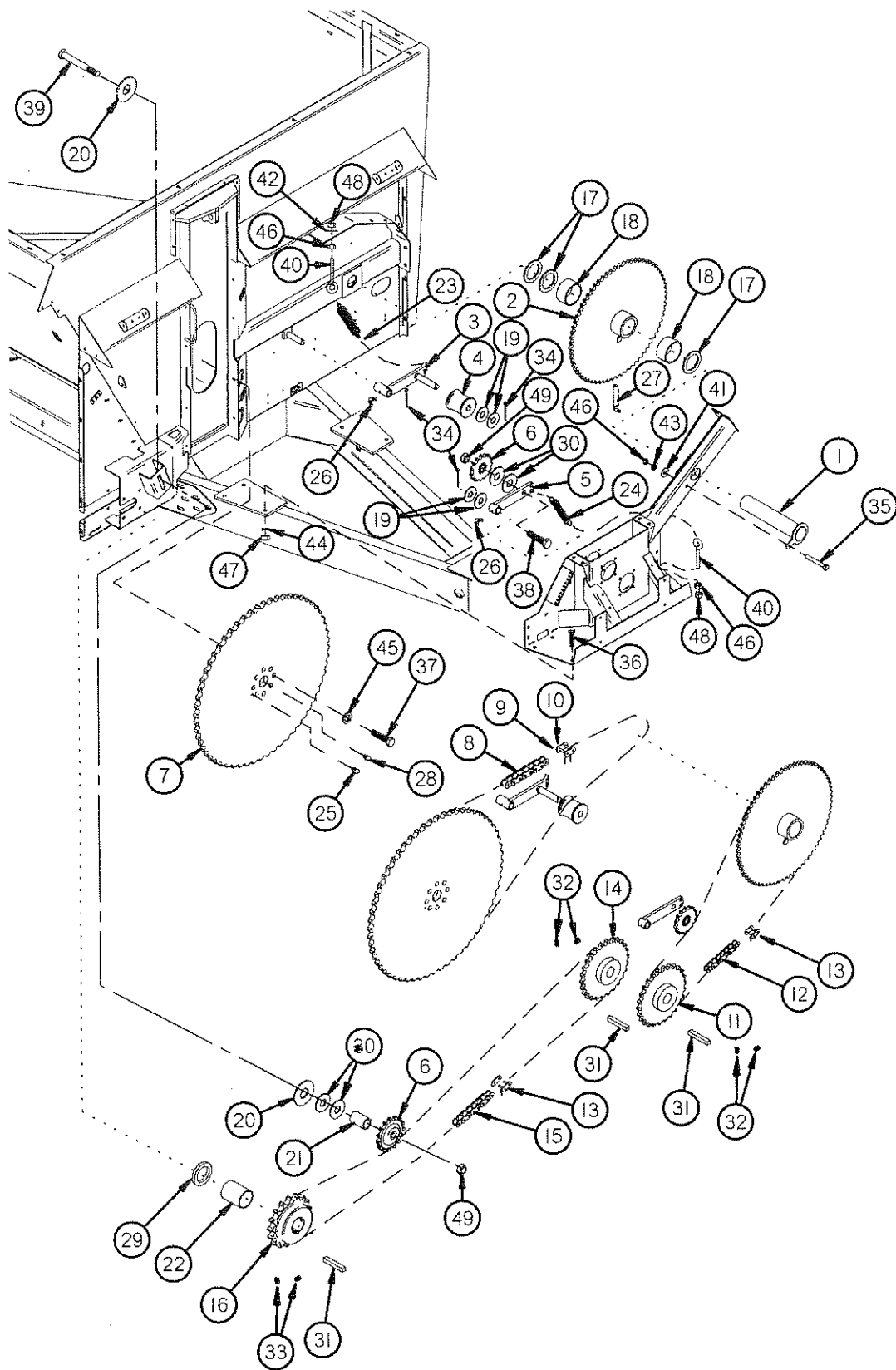


Figure 2 Auger & Expeller

<u>ITEM #</u>	<u>QUANTITY</u>	<u>PART #</u>	<u>DESCRIPTION</u>
1	1	TS211	COUNTER SHAFT
2	1	TS212	COUNTER SHAFT REDUCTION
3	1	TS213	AUGER CHAIN TENSIONER
4	1	TS25	ROLLER IDLER
5	1	TS214	CHAIN TENSIONER
6	2	16SV328	SPROCKET/IDLER ASSY
7	1	TS217	SPROCKET 140-B-54
8	1	TS218	CHAIN/ROLLER #140HE X 77
9	1	TS219	LINK/OFFSET (#140HE)
10	1	TS220	LINK/CONNECTOR (#140HE)
11	1	TS221	SPROCKET/DRIVE #80X14T (STANDARD)
*	1	TS372	SPROCKET/DRIVE #80X12T (OPTIONAL)
*	1	TS373	SPROCKET/DRIVE #80X15T (OPTIONAL)
*	1	TS374	SPROCKET/DRIVE #80X16T (OPTIONAL)
12	1	TS222	CHAIN/ROLLER #80HE X 98 (14T & 15T SPROCKETS)
*	1	TS375	CHAIN/ROLLER #80HE X 97 (12T SPROCKET)
*	1	TS376	CHAIN/ROLLER #80HE X 99 (16T SPROCKET)
13	2	TS223	LINK/CONNECTOR (#80HE)
14	1	TS224	SPROCKET #80X16T (STANDARD)
*	1	TS377	SPROCKET #80X12T (OPTIONAL)
*	1	TS378	SPROCKET #80X14T (OPTIONAL)
15	1	TS225	CHAIN/ROLLER #80HE X 84 (16T SPROCKET)
*	1	TS379	CHAIN/ROLLER #80HE X 82 (12T SPROCKET)
*	1	TS380	CHAIN/ROLLER #80HE X 83 (14T SPROCKET)
16	1	TS226	SPROCKET/80-B-17
17	A/R	TS227	SPACER 2-17/32" (THICK)
*	A/R	TS28	SPACER 2-17/32" (THIN)
18	2	TS228	BRONZE BUSHING
19	4	S345	1" SPACER
20	2	16SV376	SPACER .780 ID
21	1	TS230	BUSHING 3/4" X 7/8"
22	1	TS231	SPACER
23	1	BFR138	SPRING
24	1	10R14	SPRING/EXTENSION
25	1	G89	GREASE ZERK
26	2	RG51	GREASE ZERK 90 DEGREE
27	1	ZK90	ZERK, 90 DEGREE, 1-13/16" X 1/8" PIPE THREAD
28	1	BFR28	1/8" NPT GREASE ZERK #1610 (LEFT SIDE AXLE)
29	A/R	S36	SHIM, 3/16"
*	A/R	S409	SHIM, 1/8"
30	4	T73	WASHER
31	3	G139	3/8" X 1-1/2" SQ. KEY
32	4	YSKP12025	SET SCREW, SOCKET, KNURLED CUP PT, 3/8"-16 X 3/8"
33	2	YSKP12010	SET SCREW, SOCKET, KNURLED CUP PT, 3/8"-16 X 1/2"
34	3	YPCT05010	COTTER PIN, 5/32" X 1-1/2"
35	1	YBHH12110	BOLT, 3/8" X 2-3/4" GR. 5
36	6	YBHH20010	BOLT, 5/8" X 1-1/2" GR. 5
37	8	YBHH24041	BOLT, HEX HEAD, 3/4" X 2-3/4" GR. 8
38	1	YBHH24050	BOLT, 3/4" X 3" GR. 5
39	1	YBHH24055	BOLT, 3/4" X 3-1/2" GR. 5
40	2	YBTE12025	TURNTED EYE BOLT, 3/8" X 3" FULL THREAD
41	1	YWFL10005	WASHER, FLAT, 5/16" USS
42	1	YWFL12005	WASHER, FLAT, 3/8" USS
43	1	YWLO12005	WASHER, LOCK, 3/8"
44	6	YWLO20005	WASHER, LOCK, 5/8"
45	8	YWLO24005	WASHER, LOCK, 3/4"
46	3	YNHX12005	HEX NUT, 3/8"-16
47	6	YNHX20005	HEX NUT, 5/8"-11
48	2	YNNY12005	HEX NUT, NYLON LOCKNUT, 3/8"
49	2	YNRL24005	HEX NUT, REVERSIBLE-SIDE LOCK, 3/4"-10

NOTE: * MEANS NOT SHOWN
A/R: AS REQUIRED

Figure 3
Expeller/Discharge Gate - Bearings

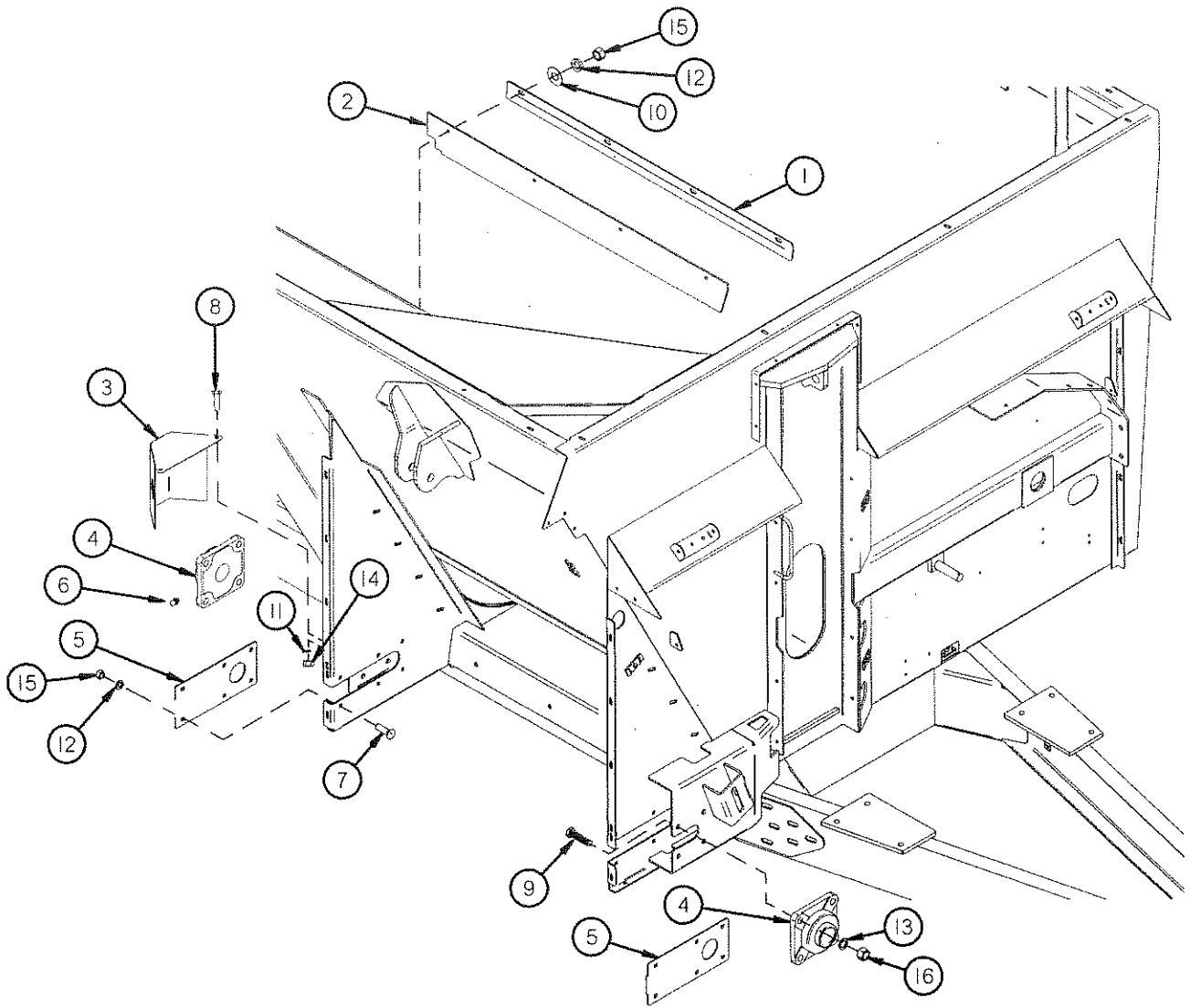


Figure 3 Expeller/Discharge Gate - Bearings

<u>ITEM #</u>	<u>QUANTITY</u>	<u>PART #</u>	<u>DESCRIPTION</u>
1	1	TS43	DOOR SEAL CLAMP
2	1	TS44	EXPELLER DOOR TOP SEAL
3	1	TS45	EXPELLER BEARING SHIELD
4	2	HGV41	EXPELLER BEARING
5	2	TS47	COVER PLATE
6	1	G89	1/4"-28 STRAIGHT GREASE ZERK
7	12	YBCR12010	CARR. BOLT, 3/8" X 1" GR. 5
8	2	YBHH08100	BOLT, 1/4" X 3/4" GR. 5
9	8	YBHH18010	BOLT, 9/16" X 1-3/4" GR. 5
10	4	YWFL12005	WASHER, FLAT, 3/8" USS
11	2	YWLO08005	WASHER, LOCK, 1/4"
12	16	YWLO12005	WASHER, LOCK, 3/8"
13	8	YWLO18005	WASHER, LOCK, 9/16"
14	2	YNHX08005	HEX NUT, 1/4"-20
15	16	YNHX12005	HEX NUT, 3/8"-16
16	8	YNHX18005	HEX NUT, 9/16"-12

Figure 4
Expeller/Discharge Gate - Door

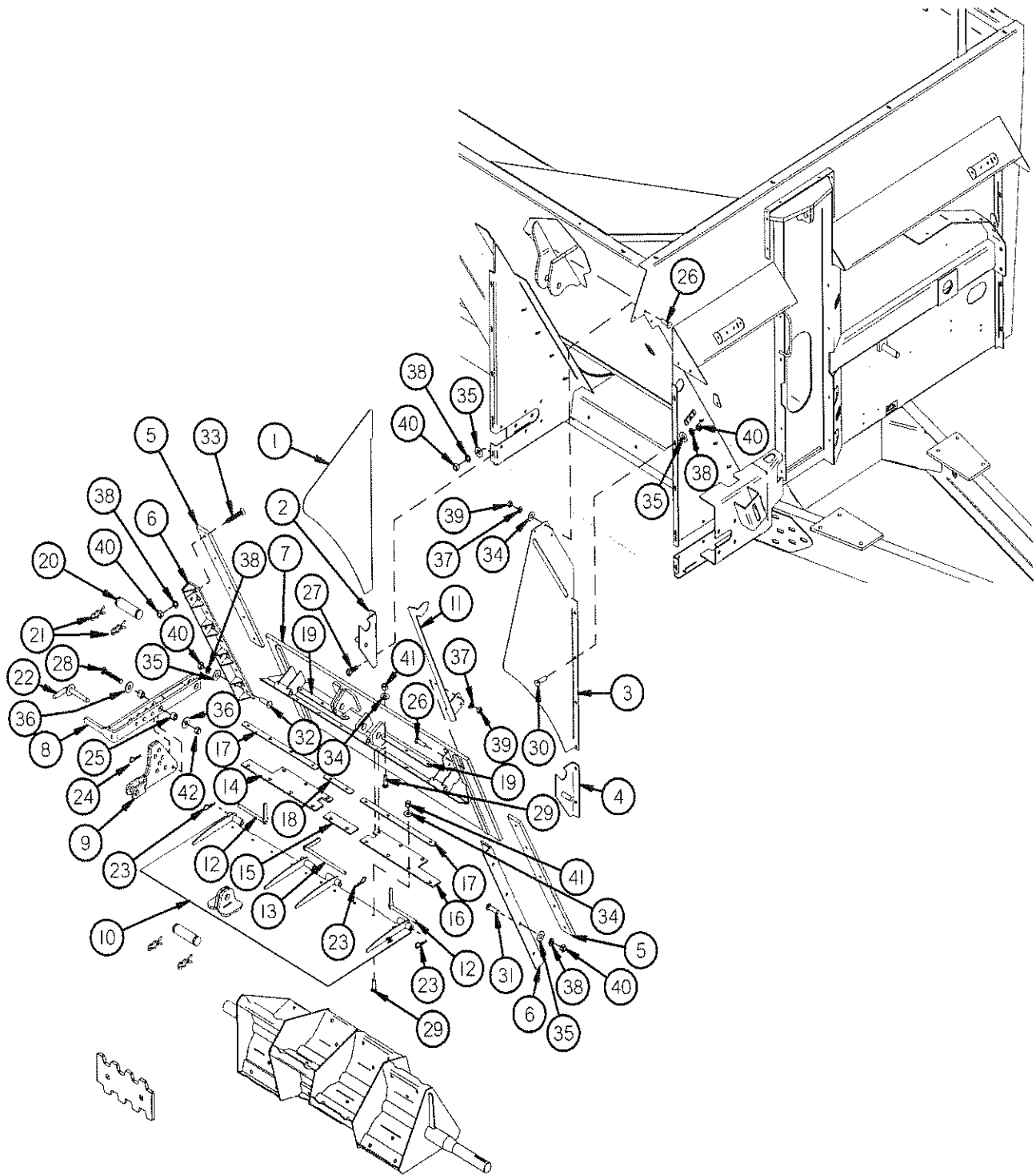


Figure 4 Expeller/Discharge Gate - Door

<u>ITEM #</u>	<u>QUANTITY</u>	<u>PART #</u>	<u>DESCRIPTION</u>
1	1	TS232	EXPELLER SPOUT LEFT HAND
2	1	TS49	PAN HINGE BRACKET LEFT
3	1	TS233	EXPELLER SPOUT RIGHT HAND
4	1	TS51	PAN HINGE BRACKET RIGHT
5	2	TS52	DOOR SLIDER POLY
6	2	TS53	EXPELLER DOOR GUIDE
7	1	TS54	EXPELLER DOOR
8	1	TS55	DEFLECTOR ADJUSTMENT HANDLE
9	1	TS56	DEFLECTOR ADJUSTMENT LINK
10	1	TS57	ADJUSTABLE FLAT DEFLECTOR
11	1	TS58	DOOR INDICATOR
12	2	TS59	DEFLECTOR SIDE PIN
13	1	TS60	DEFLECTOR MID PIN
14	1	TS61	DEFLECTOR SEAL LEFT
15	1	TS62	DEFLECTOR SEAL MID
16	1	TS63	DEFLECTOR SEAL RIGHT
17	2	TS64	SEAL STRAP LONG
18	1	TS65	SEAL STRAP MID
19	2	TS66	SEAL STRAP SHORT
20	2	T143	CYLINDER PIN
21	4	T144	CLIP PIN
22	1	TS69	CASTER LOCKING PIN
23	3	X97	HAIR PIN
24	1	WM378	HAIR PIN W/ LANYARD
25	2	TS307	HANDLE PIVOT
26	5	YBHH10105	BOLT, 5/16" X 3/4" GR. 5
27	4	YBHH12010	BOLT, 3/8" X 1" GR. 5
28	1	YBHH16105	BOLT, 1/2" X 3" GR. 5
29	16	YBCR10010	CARR. BOLT, 5/16" X 1" GR. 5
30	8	YBCR12010	CARR. BOLT, 3/8" X 1" GR. 5
31	7	YBCR12020	CARR. BOLT, 3/8" X 1-1/4" GR. 5
32	1	YBCR12015	CARR. BOLT, 3/8" X 1-1/2" GR. 5
33	10	YSFS12005	FLAT HEAD SOCKET CAP SCREW, 3/8" X 1-1/4"
34	19	YWFL10005	WASHER, FLAT, 5/16" USS
35	20	YWFL12005	WASHER, FLAT, 3/8" USS
36	2	YWFL16005	WASHER, FLAT, 1/2" USS
37	5	YWLO10005	WASHER, LOCK, 5/16"
38	30	YWLO12005	WASHER, LOCK, 3/8"
39	5	YNHX10005	HEX NUT, 5/16"
40	30	YNHX12005	HEX NUT, 3/8"-16
41	16	YNTL10005	HEX NUT, TOP LOCK, 5/16"-18
42	1	YNTL16005	HEX NUT, TOP LOCK, 1/2"-13

5143 TOP SHOOT
MANUAL SPEAKER

Figure 5
Expeller/Discharge Gate - Pan

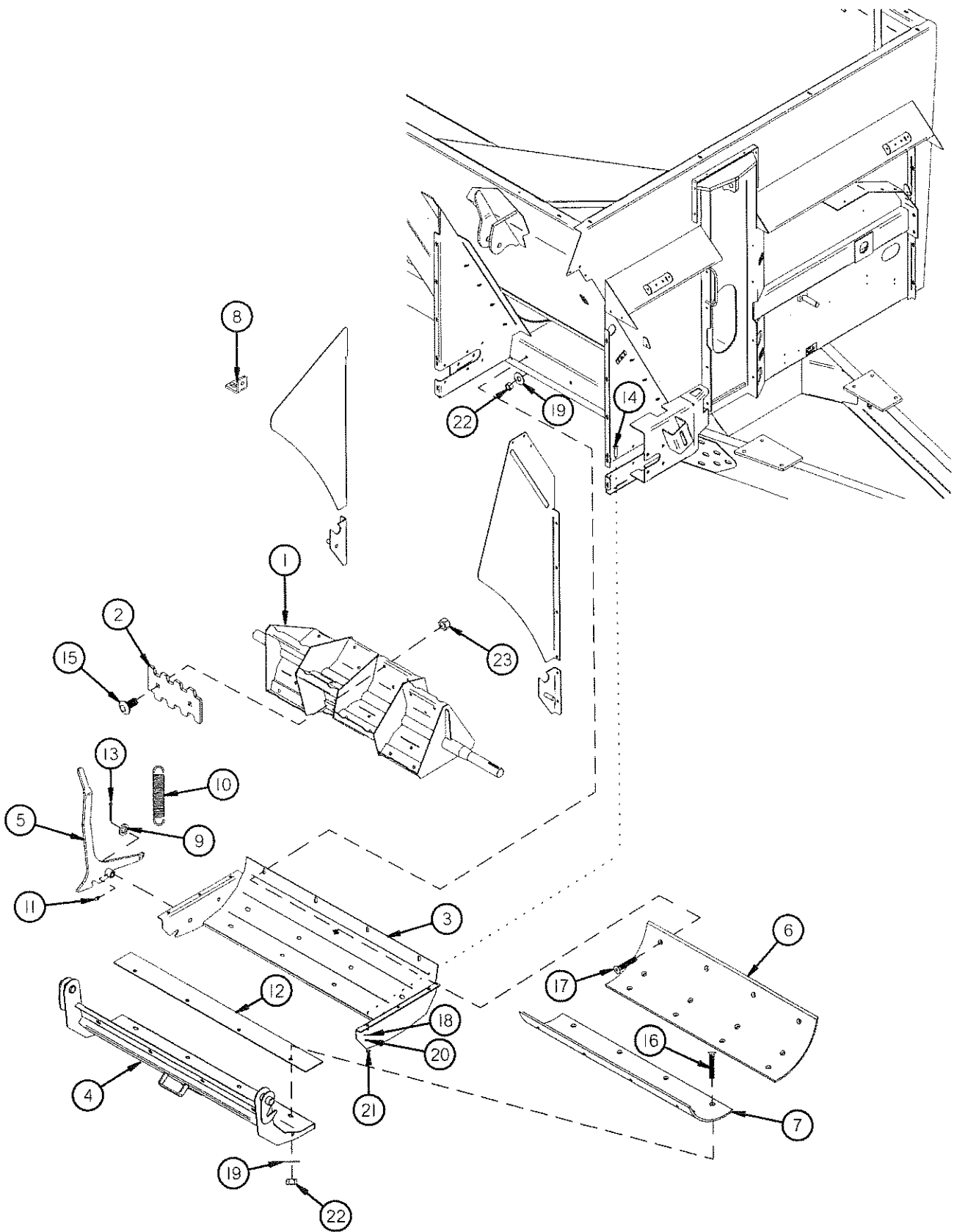


Figure 5 Expeller/Discharge Gate - Pan

<u>ITEM #</u>	<u>QUANTITY</u>	<u>PART #</u>	<u>DESCRIPTION</u>
1	1	TS67	EXPELLER
2	12	TS68	EXPELLER PADDLE
3	1	TS72	SWING AWAY PAN FRAME
4	1	TS73	SWING AWAY PAN
5	1	TS74	PAN LATCH HANDLE
6	1	TS75	EXPELLER BACK POLY
7	1	TS76	EXPELLER PAN POLY
8	1	56N146	SHIELD ANGLE
9	3	T73	SPACER
10	1	K103	SPRING
11	1	G89	1/4"-28 STRAIGHT GREASE ZERK
12	1	TS18	PAN RUBBER SEAL
13	1	YPCT06010	COTTER PIN, 3/16" X 1-1/4"
14	6	YBCR10010	CARR. BOLT, 5/16" X 1" GR. 5
15	24	YBCR16019	SHAKER SCREEN BOLT, 1/2" X 1-3/4" GR. 8
16	20	YSFS16010	FLAT HEAD SOCKET CAP SCREW, 1/2" X 1-1/2"
17	4	YSFS16020	FLAT HEAD SOCKET CAP SCREW, 1/2" X 1-3/4"
18	6	YWFL10005	WASHER, FLAT, 5/16" USS
19	24	YWFL16005	WASHER, FLAT, 1/2" USS
20	6	YWLO10005	WASHER, LOCK, 5/16"
21	6	YNHX10005	HEX NUT, 5/16"
22	24	YNRL16005	HEX NUT, REVERSIBLE-SIDE LOCK, 1/2"-13
23	24	YNRL16006	HEX NUT, TOP LOCK, 1/2"-13 GR. 9

Figure 6
Guards/Shields

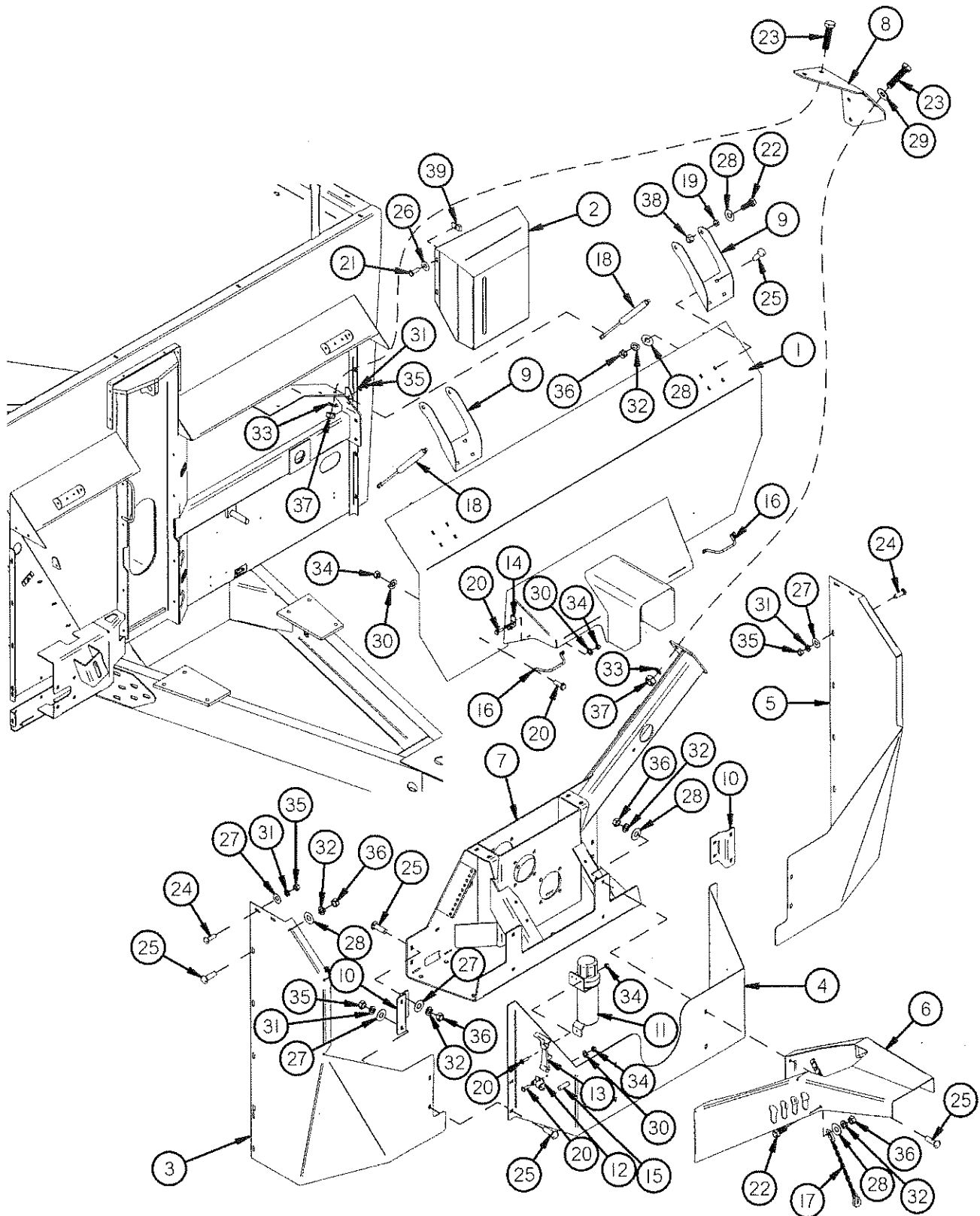


Figure 6 Guards/Shields

<u>ITEM #</u>	<u>QUANTITY</u>	<u>PART #</u>	<u>DESCRIPTION</u>
1	1	TS234	FRONT SHIELD
2	1	TS235	FRONT CYLINDER COVER
3	1	TS236	FRONT SHIELD RIGHT SIDE
4	1	TS237	GEARBOX SHIELD
5	1	TS238	FRONT SHIELD LEFT SIDE
6	1	TS239	HOSE HOLDER
7	1	TS240	GEARBOX
8	1	TS241	JACKSHAFT BRACE
9	2	TS242	SHIELD HINGE
10	2	TS243	FRONT SHIELD MOUNT
11	1	S522	MAUNAL HOLDER
12	2	X194	LATCH MOUNT
13	2	X192	RUBBER LATCH
14	2	X193	LATCH KEEPER
15	2	X195	LATCH PIN
16	2	TS96	SHIELD HANDLE
17	1	TS130	CHAIN PTO HOLDER
18	2	TS244	GAS STRUT
19	4	GM180	SPACER
20	11	YBHH08015	BOLT, 1/4" X 1/2" GR. 5
21	4	YBHH08100	BOLT, 1/4" X 3/4" GR. 5
22	5	YBHH12010	BOLT, 3/8" X 1" GR. 5
23	8	YBHH20010	BOLT, 5/8" X 1-1/2" GR. 5
24	8	YBCR10030	CARR. BOLT, 5/16" X 3/4" GR. 5
25	24	YBCR12010	CARR. BOLT, 3/8" X 1" GR. 5
26	4	YWFL08005	WASHER, FLAT, 1/4" USS
27	8	YWFL10005	WASHER, FLAT, 5/16" USS
28	29	YWFL12005	WASHER, FLAT, 3/8" USS
29	3	YWFL20005	WASHER, FLAT, 5/8" USS
30	8	YWLO08005	WASHER, LOCK, 1/4"
31	10	YWLO10005	WASHER, LOCK, 5/16"
32	25	YWLO12005	WASHER, LOCK, 3/8"
33	8	YWLO20005	WASHER, LOCK, 5/8"
34	11	YNHX08005	HEX NUT, 1/4"-20
35	10	YNHX10005	HEX NUT, 5/16"
36	25	YNHX12005	HEX NUT, 3/8"-16
37	8	YNHX20005	HEX NUT, 5/8"-11
38	4	YNTL12005	HEX NUT, TOP LOCK, 3/8"-16
39	4	YNUN08005	EXTRUDED U NUT, 1/4"-20

Figure 7
Splash Guards/Rails

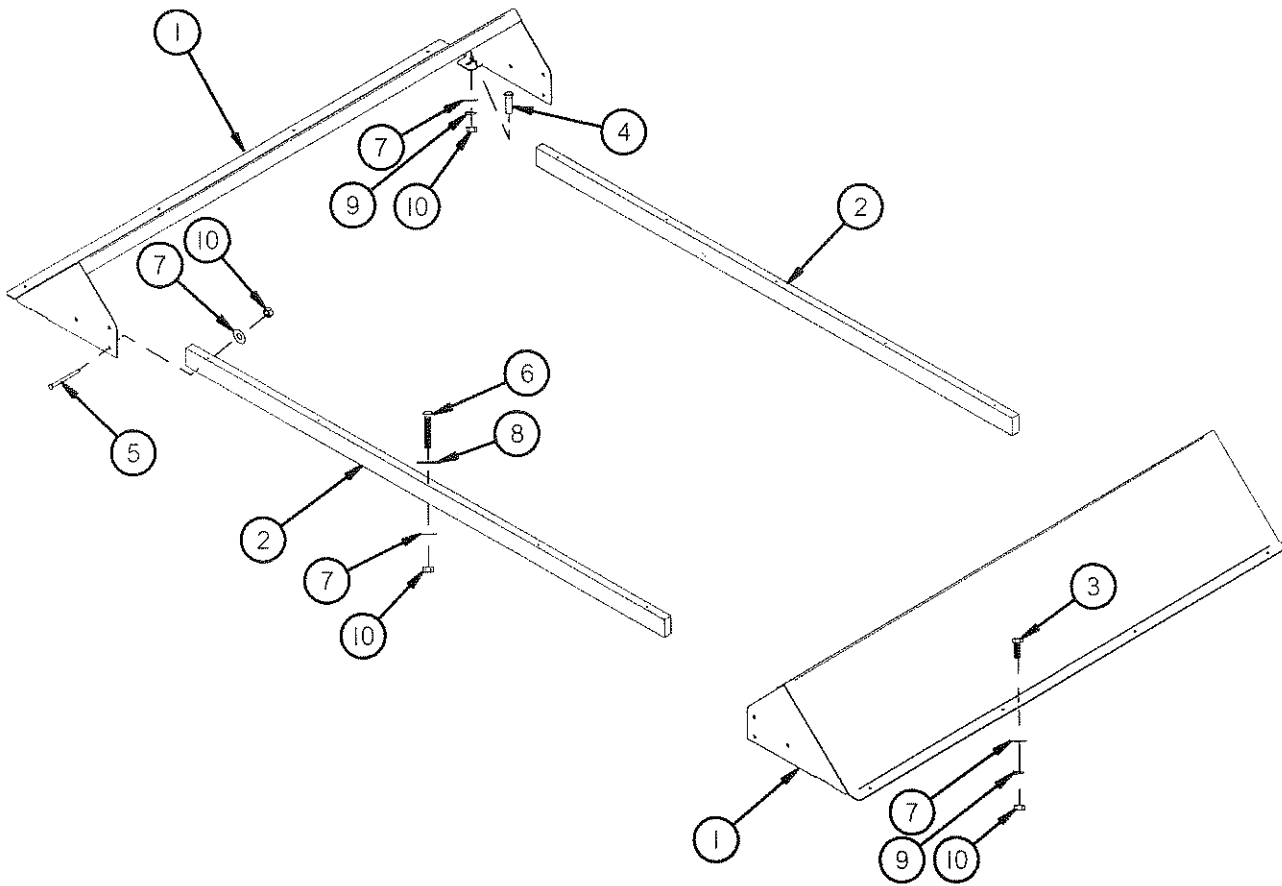


Figure 7 Splash Guards/Rails

<u>ITEM #</u>	<u>QUANTITY</u>	<u>PART #</u>	<u>DESCRIPTION</u>
1	2	TS245	SPLASH GUARD
2	2	TS100	WOOD RAIL
3	8	YBHH12010	BOLT, 3/8" X 1" GR. 5
4	4	YBCR12010	CARR. BOLT, 3/8" X 1" GR. 5
5	12	YBCR12080	CARR. BOLT, 3/8" X 3-1/4" GR. 5
6	10	YBCR12125	CARR. BOLT, 3/8" X 6-1/2" GR. 2
7	34	YWFL12005	WASHER, FLAT, 3/8" USS
8	10	YWFL16005	WASHER, FLAT, 1/2" USS
9	12	YWLO12005	WASHER, LOCK, 3/8"
10	34	YNHX12005	HEX NUT, 3/8"-16

Figure 8
Hydraulics

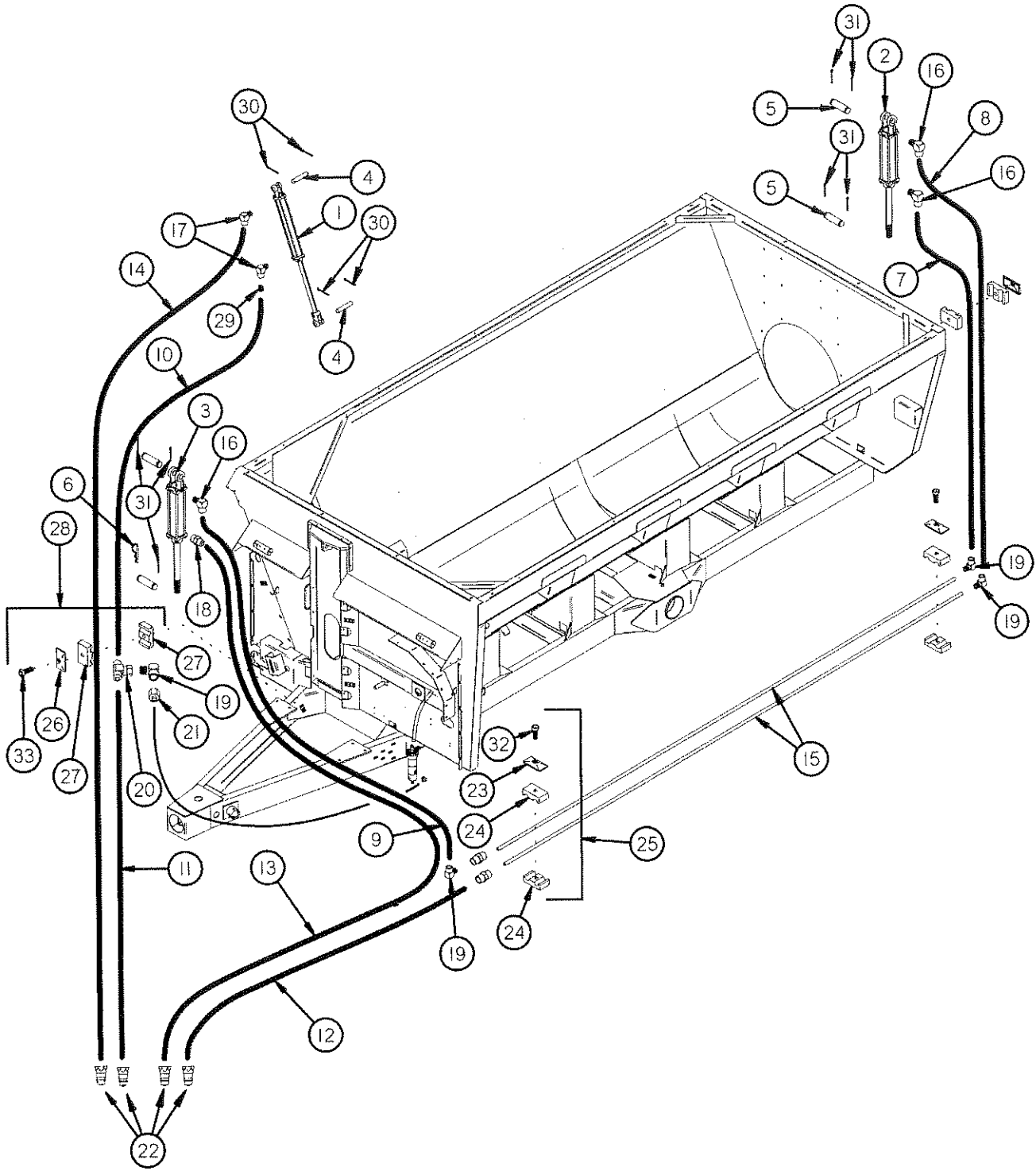


Figure 8 Hydraulics

<u>ITEM #</u>	<u>QUANTITY</u>	<u>PART #</u>	<u>DESCRIPTION</u>
1	1	23N111A	2 X 16 CYLINDER
2	1	TS105	3-1/4 x 8 CYLINDER
3	1	TS104	3 X 8 CYLINDER
4	2	LW55	CYLINDER PIN
5	4	T143	CYLINDER PIN
6	1	ES7	HAIR PIN
7	1	TS115	HYD. HOSE 1/2" X 49" -8 JIC FEMALE SWIVEL & -8 JIC MALE
8	1	TS247	HYD. HOSE 1/2" X 60" -8 JIC FEMALE SWIVEL & -8 JIC MALE
9	1	TS248	HYD. HOSE 1/2" X 62" -8 JIC FEMALE SWIVEL & -8 JIC MALE
10	1	TS249	HYD. HOSE 1/2" X 81" -8 JIC FEMALE SWIVEL & -8 JIC FEMALE SWIVEL
11	1	TS250	HYD. HOSE 1/2 X 110" -8 JIC FEMALE SWIVEL & 1/2 MP
12	1	TS251	HYD. HOSE 1/2 X 124" -8 JIC MALE & 1/2 MP
13	1	TS252	HYD. HOSE 1/2 X 176" -8 JIC FEMALE SWIVEL & 1/2 MP
14	1	TS253	HYD. HOSE 1/2 X 200" -8 JIC FEMALE SWIVEL & 1/2 MP
15	2	TS116	HYDRAULIC LINE
16	3	TS135	-8 MALE O-RING TO -8 MALE JIC 90°
17	2	TS136	3/8" MALE PIPE TO -8 MALE JIC 90°
18	1	TS137	-8 MALE O-RING TO -8 MALE JIC
19	4	TS138	-8 FEMALE JIC SWIVEL TO -8 MALE JIC 90°
20	1	TS139	-8 JIC SWIVEL BRANCH TEE
21	1	TS299	-8 MALE JIC TO 3/8" FEMALE PIPE
22	4	DWM205	QUICK COUPLER MALE
23	3	TS117	LINE CLAMP CAP
24	6	TS118	LINE CLAMP BLOCK
25	3	T2008S	DOUBLE STEEL LINE CLAMP
26	11	GM69	LINE CLAMP CAP
27	22	GM70	LINE CLAMP BLOCK
28	11	GM9	HOSE CLAMP 1/2" TWIN (COMPLETE)
29	1	TS197	ORIFACE .031
30	4	YPCT05010	COTTER PIN, 5/32" X 1-1/2"
31	7	YPCT06005	COTTER PIN, 3/16" X 1-1/2"
32	3	YBHH10030	BOLT, 5/16" X 1-1/2" GR. 5
33	11	YBHH10055	BOLT, 5/16" X 1-3/4" GR. 5

5134
TOP SHIRT

Figure 9
Tandem Axles

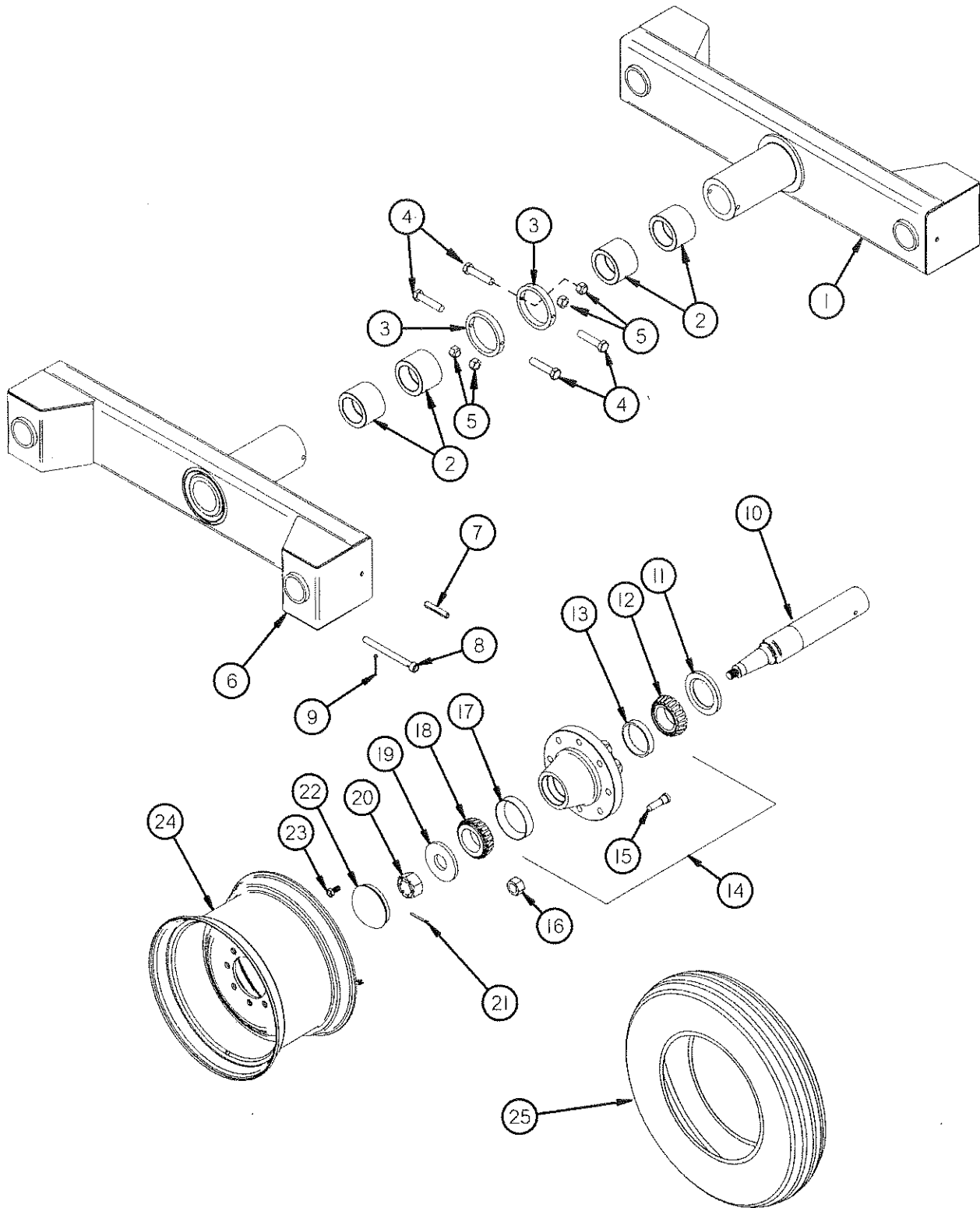


Figure 9 Tandem Axles

<u>ITEM #</u>	<u>QUANTITY</u>	<u>PART #</u>	<u>DESCRIPTION</u>
1	1	TS254	TANDEM AXLE LEFT 12000 LB
*	1	TS255	TANDEM AXLE LEFT 15000 LB (OPTIONAL)
2	4	TS256	PHENOLIC BUSHING
3	4	TS257	COLLAR FOR AXLE
4	4	YBHH16095	BOLT, 1/2" X 2-1/4" GR. 5
5	4	YNTL16005	HEX NUT, TOP LOCK, 1/2"-13
6	1	TS258	TANDEM AXLE RIGHT 12000 LB
*	1	TS259	TANDEM AXLE RIGHT 15000 LB (OPTIONAL)
7	4	31N4	ROLL PIN
8	4	TS260	SPINDLE PIN (USED WITH OPTIONAL TANDEM ONLY)
9	4	YPCT06020	COTTER PIN, 3/16" X 2" (USED WITH OPTIONAL TANDEM)
10	4	TS46	TANDEM SPINDLE
*	4	TS394	TANDEM SPINDLE (15000 LB HUB)
11	4	60N5	SEAL
*	4	TS387	SEAL
12	4	60N7	INNER BEARING
*	4	TS388	INNER BEARING
13	4	60N6	INNER RACE
*	4	TS389	INNER RACE
14	4	60N8	HUB 10 BOLT 12000# (INC. INNER/OUTER RACES & STUD BOLTS)
*	4	TS395	HUB 10 BOLT 15000# (INC. INNER/OUTER RACES & STUD BOLTS)
*	4	TS261	HUB 10 BOLT 15000 LBS W/ SPINDLE
15	40	YBSD24010	STUD BOLT, 3/4"-16 UNF X 2-3/4" (3/4" SHOULDER)
16	40	YNWL24005	WHEEL NUT, 3/4"-16 UNF GR. 8
17	4	60N10	OUTER RACE
*	4	TS390	OUTER RACE
18	4	60N9	OUTER BEARING
*	4	TS391	OUTER BEARING
19	4	60N2	WASHER
*	4	TS392	WASHER
20	4	YNCA36005	HEX NUT, CASTLE, 1-1/4"-12
*	4	YNL44005	HEX NUT, SLOTTED, 2"-12
21	4	YPCT07005	COTTER PIN, 7/32" X 2"
*	4	YPCT10020	COTTER PIN, 5/16" X 4"
22	4	60N11	HUB CAP
*	4	TS393	HUB CAP
23	16	YBHH10020	BOLT, 5/16" X 1/2" GR. 5
24	4	60N15	WHEEL 13.5 X 22.5 (10 BOLT)
*	4	60N16	WHEEL 18 X 16.1
*	4	TS262	WHEEL 24 X 22.5
25	4	66N16	TIRE 445 X 22.5
*	4	50N7	TIRE 21.5L X 16.1
*	4	TS264	TIRE 700/50 X 22.5 FLOATATION
*	4	TS263	TIRE 49 X 19 X 20 AIRCRAFT W/RIM (ASSEMBLY)
*	4	TS340	AIRCRAFT TIRE, 49X19X20, 32 PLY
*	4	TS341	WHEEL 13.5 X 20, 10 HOLE
*	4	TS342	TUBE, 1600/1800-20
*	4	TS343	FLAP, 20X14

NOTE: * MEANS NOT SHOWN

Figure 10 Oiler Kit

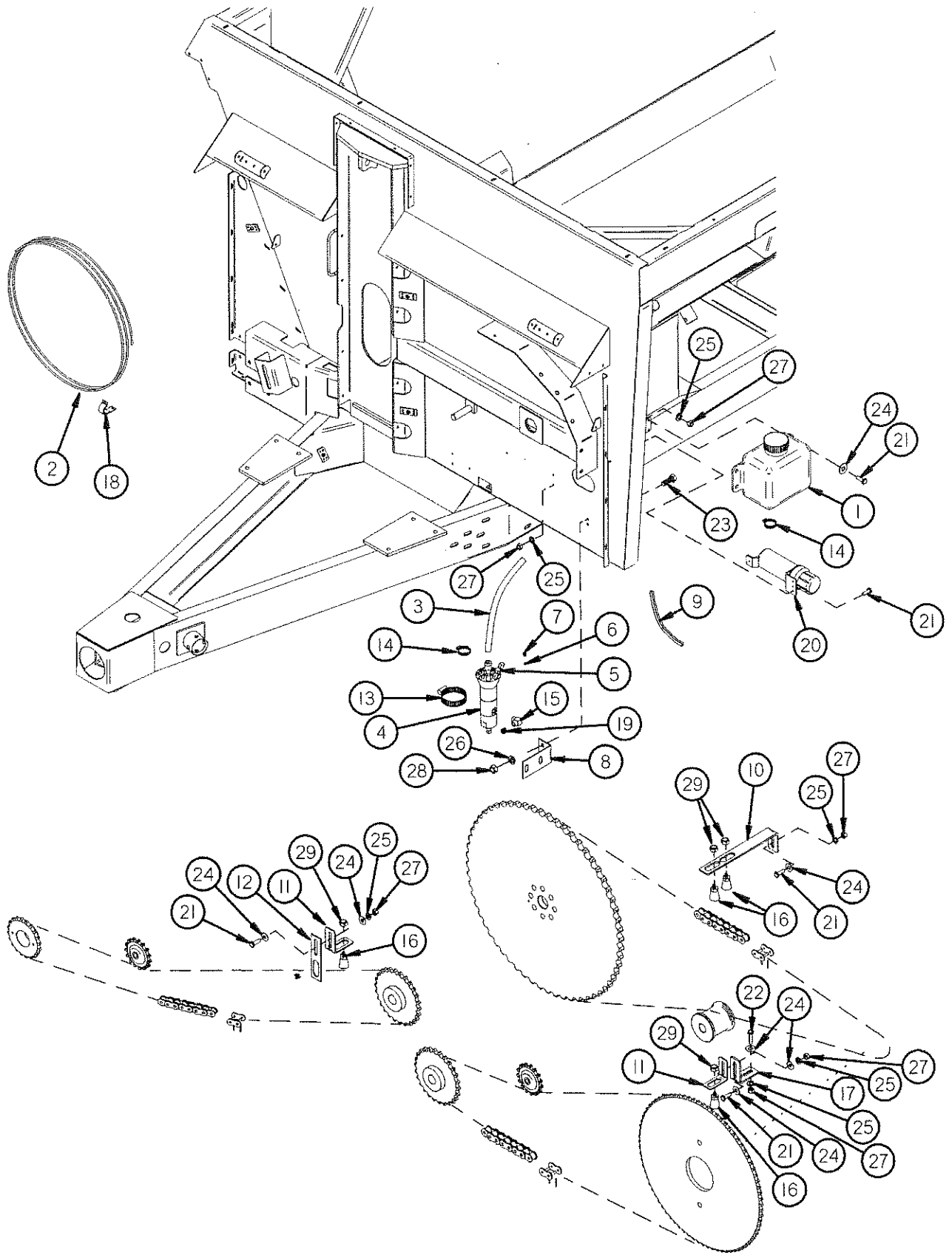


Figure 10 Oiler Kit

<u>ITEM #</u>	<u>QUANTITY</u>	<u>PART #</u>	<u>DESCRIPTION</u>
1	1	HGV63	RESERVOIR
2	1	HGV71	OIL TUBE
3	1	HGV66	FILLER HOSE
4	1	HGV82	PUMP (COMPLETE)
5	4	HGV86	STANDOFF
6	4	HGV87	FERRULE
7	4	HGV85	SLEEVE NUT
8	1	HGV68	PUMP MOUNT BRACKET
9	1	HGV77	EDGING
10	1	TS322	EXTRA LONG BRUSH BRACKET
11	2	TS98	OILER BRUSH BRACKET SINGLE
12	1	HGV70	BRACKET MOUNT
13	1	HGV74	2" HOSE CLAMP
14	2	HGV75	1" HOSE CLAMP
15	1	HGV65	O-RING/JIC ELBOW
16	4	HGV67	BRUSH
17	1	TS321	OILER HANGER 1
18	2	HGV162	1/2" RUBBER WIRE HOLDER
*	2	TS269	1/4" RUBBER WIRE HOLDER
*	2	YSHW08005	ROLLING SCREW, 1/4"-20 X 3/8", HEX WASHER HEAD Z THREAD, UNSLOTTED
19	1	TS198	ORIFACE .015 (4XHX7-S)
20	1	S522	MANUAL HOLDER
21	10	YBHH08100	BOLT, 1/4" X 3/4" GR. 5
22	1	YBHH08010	BOLT, 1/4" X 1" GR. 5
23	2	YBHH12135	BOLT, 3/8" X 3/4" GR. 5
24	10	YWFL08005	WASHER, FLAT, 1/4" USS
25	11	YWLO08005	WASHER, LOCK, 1/4"
26	2	YWLO12005	WASHER, LOCK, 3/8"
27	11	YNHX08005	HEX NUT, 1/4"-20
28	2	YNHX12005	HEX NUT, 3/8"-16
28	4	YNHX16005	HEX NUT, 1/2"

NOTE: * MEANS NOT SHOWN

Figure 11
Front Grease Lines

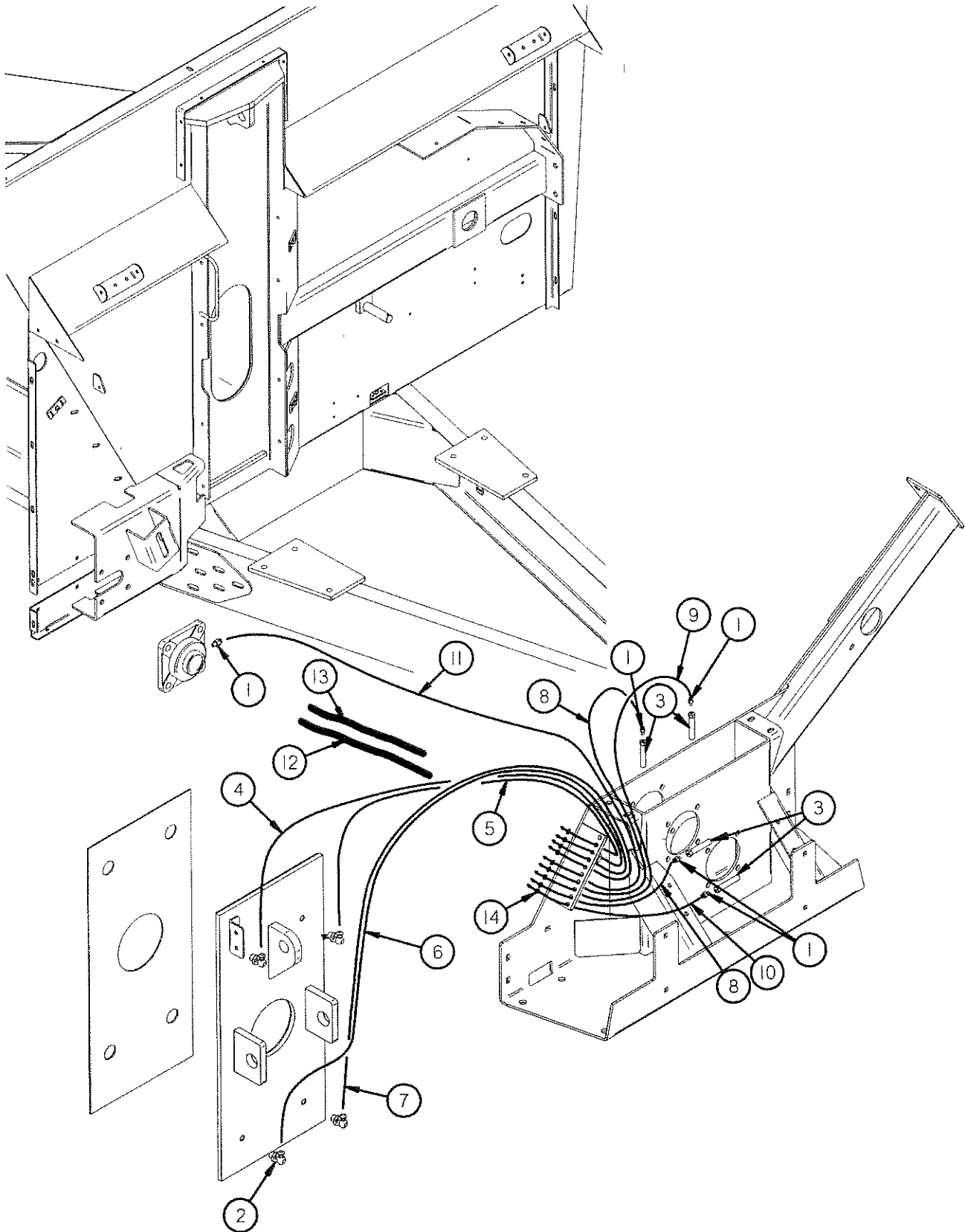
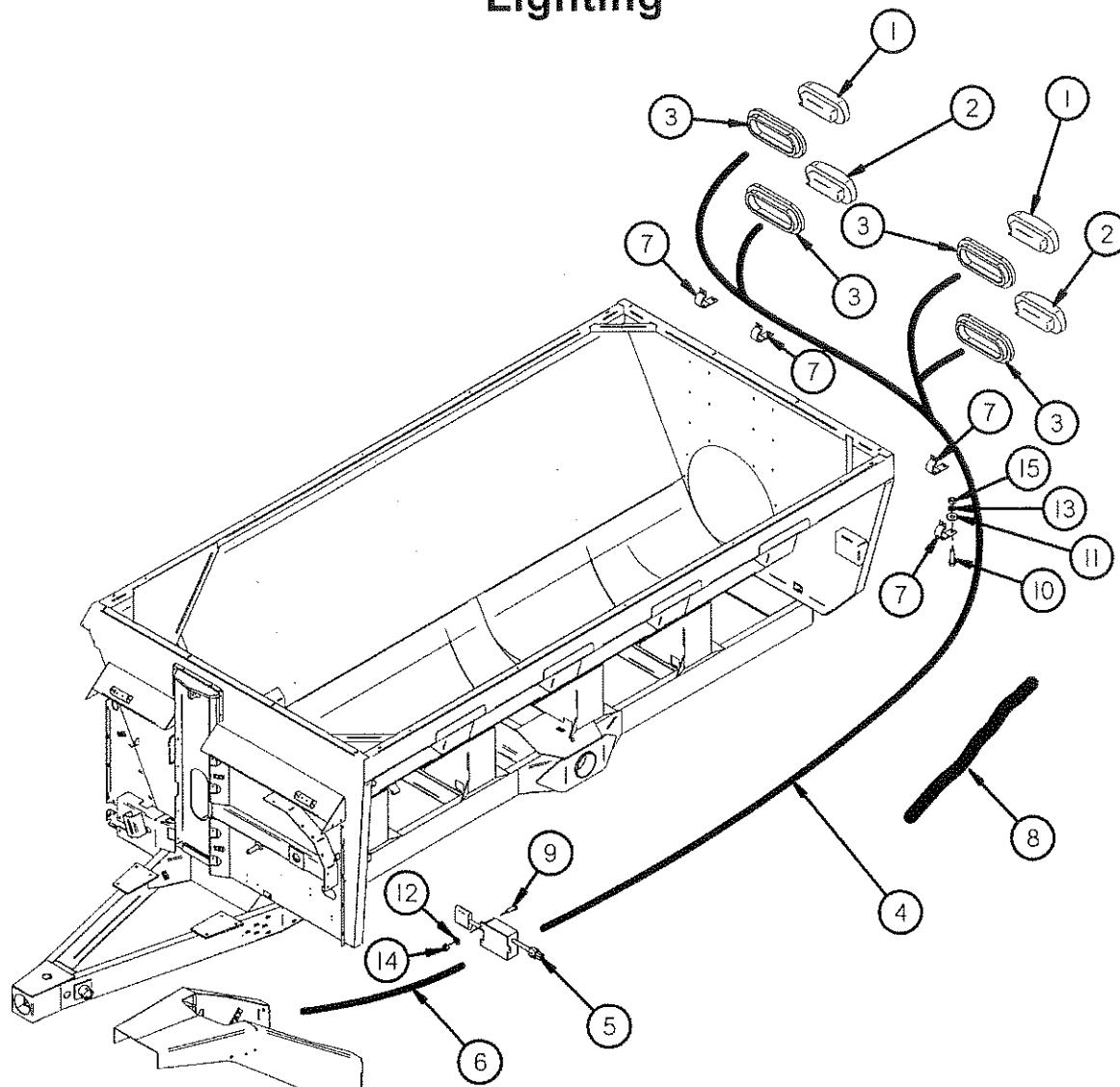


Figure 11 Front Grease Lines

<u>ITEM #</u>	<u>QUANTITY</u>	<u>PART #</u>	<u>DESCRIPTION</u>
1	5	TS323	1/4"-28 TO 1/8" PIPE ADAPTER
2	4	GM30	1/8" 90° GREASE LINE ADAPTER
3	4	45N57	1/8" NPT X 2-5/8" LONG GREASE ZERK
4	1	TS265	GREASE LINE - 81
5	1	TS266	GREASE LINE - 82
6	1	TS267	GREASE LINE - 97
7	1	TS268	GREASE LINE - 101
8	2	TS270	GREASE LINE - 8.5
9	1	TS271	GREASE LINE - 13.5
10	1	TS272	GREASE LINE - 14.5
11	1	TS273	GREASE LINE - 46
12	1	TS246	SPLIT LOOM 3/4" X 18"
13	1	TS332	SPLIT LOOM 3/4" X 14"
*	2	HGV72	3/4" RUBBER WIRE HOLDER
14	9	YNML99005	M10-1.0 JAM NUT A2 SS

NOTE: * MEANS NOT SHOWN

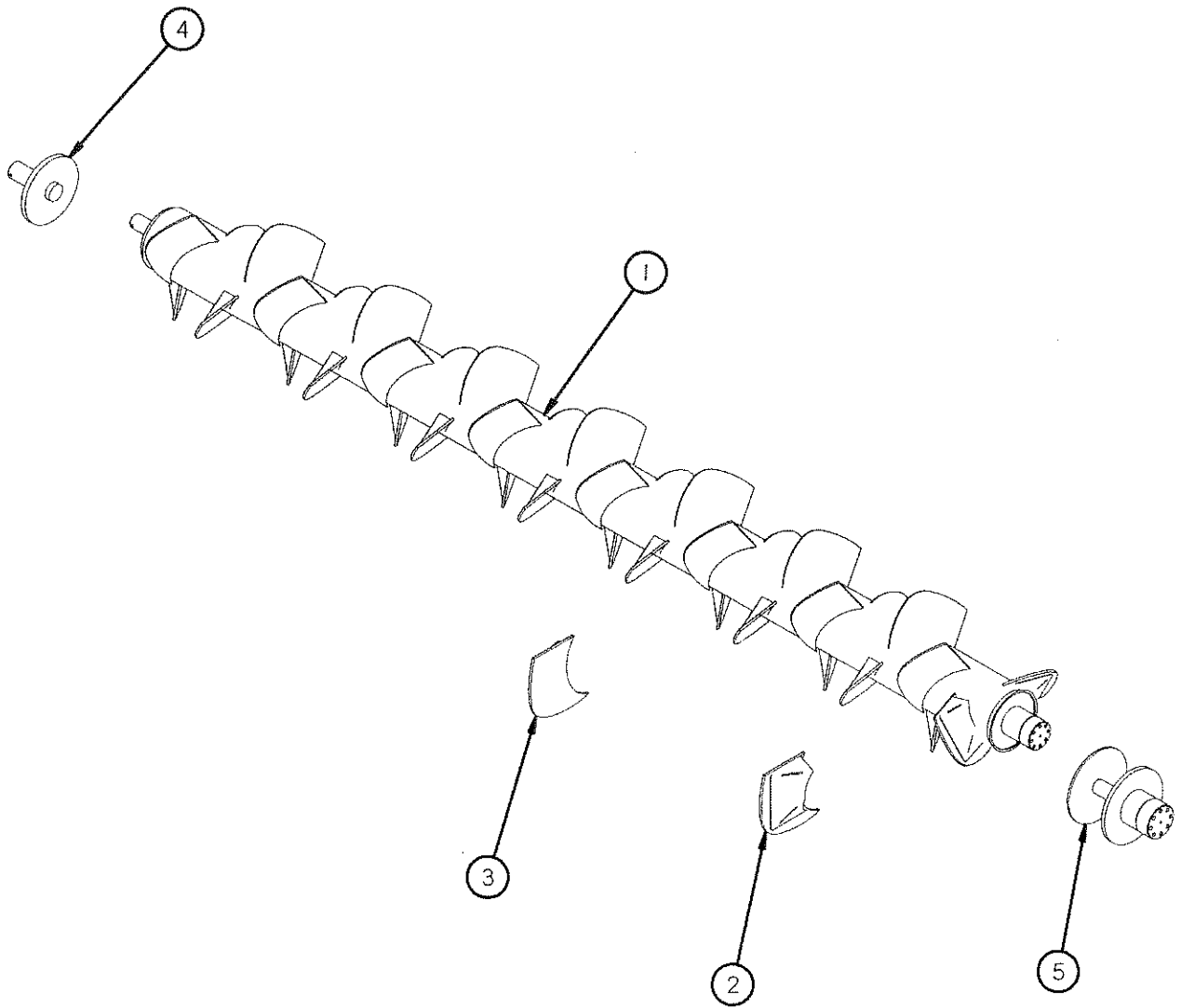
Figure 12 Lighting



<u>ITEM #</u>	<u>QUANTITY</u>	<u>PART #</u>	<u>DESCRIPTION</u>
1	2	S309	YELLOW HAZARD LIGHT
2	2	S310	RED TAIL LIGHT
3	4	S308	RUBBER LIGHT MOUNT
4	1	56N155	TAIL LIGHT LOOM
5	1	S441	FLASHER MODULE
6	1	TS317	HARNESS MODULE TO TRACTOR
7	4	HGV162	1/2" RUBBER WIRE HOLDER
8	1	TS129	SPIRAL WRAP, 30"
9	3	YBHH08100	BOLT, 1/4" X 3/4" GR. 5
10	4	YBHH10105	BOLT, 5/16" X 3/4" GR. 5
11	4	YWFL10005	WASHER, FLAT, 5/16" USS
12	3	YWLO08005	WASHER, LOCK, 1/4"
13	4	YWLO10005	WASHER, LOCK, 5/16"
14	3	YNHX08005	HEX NUT, 1/4"-20
15	4	YNHX10005	HEX NUT, 5/16"
*	1	S317	TRACTOR CORD

NOTE: * MEANS NOT SHOWN

Figure 13 Auger



<u>ITEM #</u>	<u>QUANTITY</u>	<u>PART #</u>	<u>DESCRIPTION</u>
1	1	TS200	AUGER
2	2	TS275	AUGER PADDLE FRONT
3	37	TS276	AUGER PADDLE REAR
4	1	TS277	AUGER REAR ASSEMBLY
5	1	TS278	AUGER INPUT SHAFT

Figure 14
Gearbox

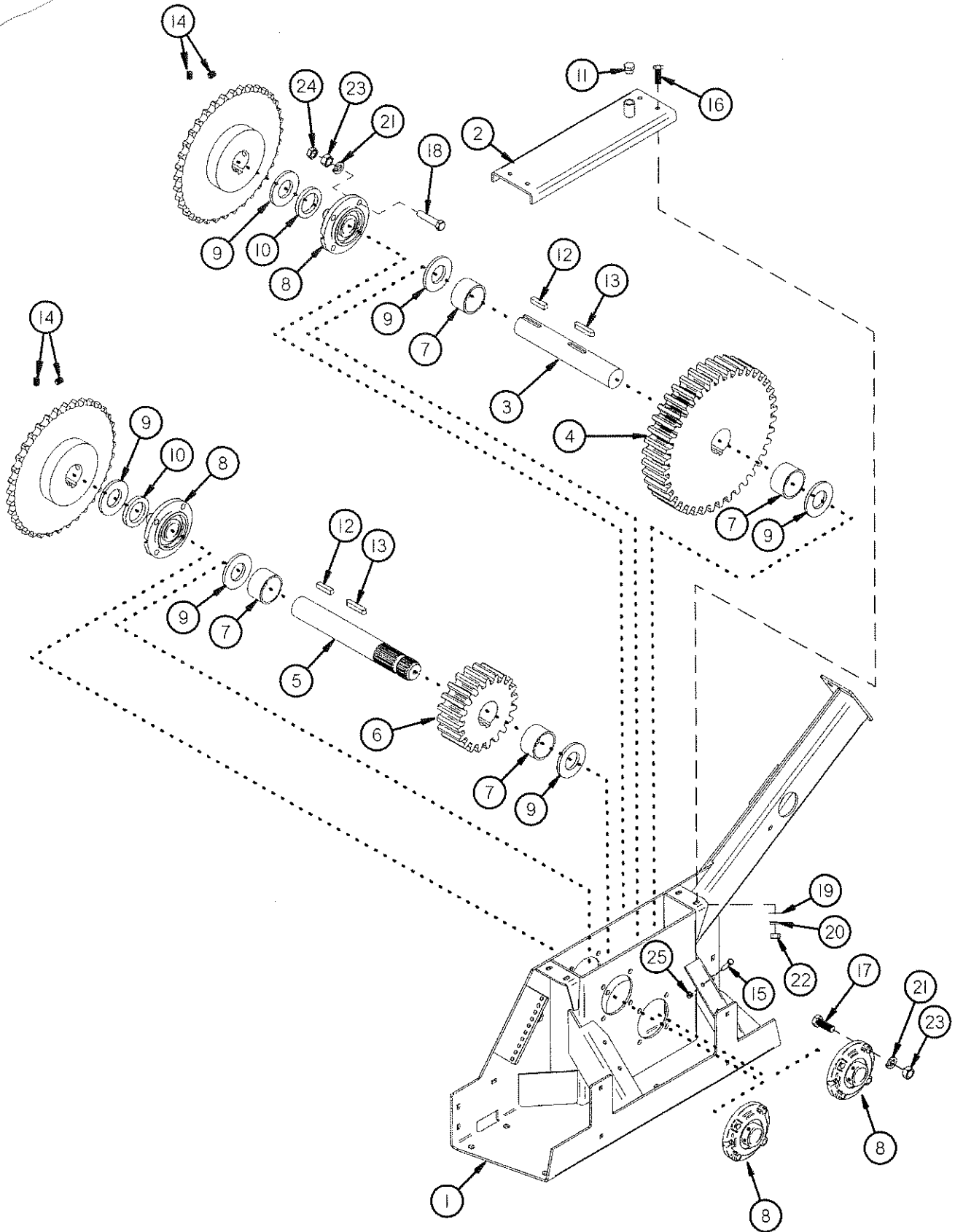


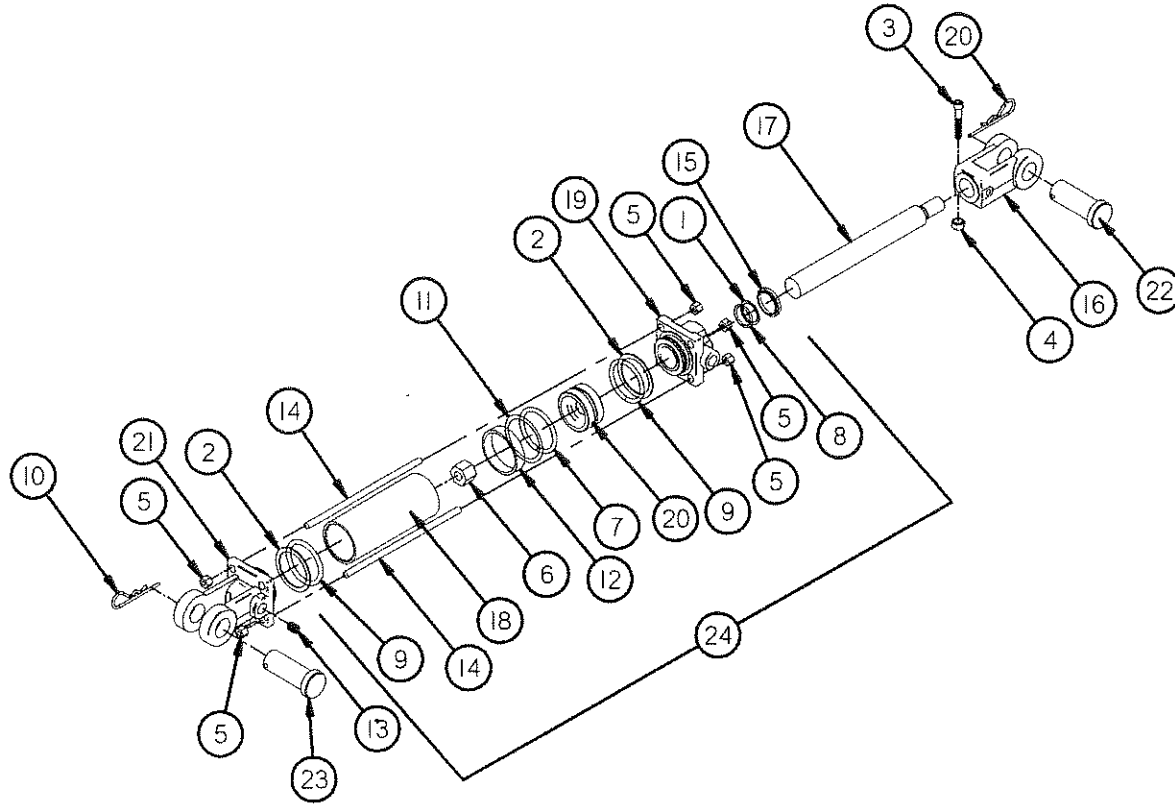
Figure 14 Gearbox

<u>ITEM #</u>	<u>QUANTITY</u>	<u>PART #</u>	<u>DESCRIPTION</u>
1	1	TS240	GEARBOX
2	1	TS279	GEARBOX COVER
3	1	TS280	SECONDARY SHAFT
4	1	TS281	SPUR GEAR 40 TOOTH
5	1	TS282	SPLINED INPUT SHAFT
6	1	TS283	SPUR GEAR 20 TOOTH
7	4	TS284	BUSHING
8	4	TS285	BEARING
9	A/R	TS286	SHIM, 1/32" THICK
10	A/R	S36	SHIM, 3/16" THICK
*	A/R	S409	SHIM, 1/8" THICK
11	1	SD134	VENT PLUG
12	2	23N303	3/8" X 1-3/4" SQUARE KEY
13	2	56N174	3/8" X 2" SQUARE KEY, ROUND ENDS (HARDENED)
14	4	YSKP12010	SET SCREW, SOCKET, KNURLED CUP PT, 3/8"-16 X 1/2"
15	4	YBHH10075	BOLT, 5/16" X 2" GR. 8
16	4	YBHH12010	BOLT, 3/8" X 1" GR. 5
17	15	YBHH16065	BOLT, 1/2" X 2" GR. 5
18	1	YBHH16095	BOLT, 1/2" X 2-1/4" GR. 5
19	4	YWFL12005	WASHER, FLAT, 3/8" USS
20	4	YWLO12005	WASHER, LOCK, 3/8"
21	16	YWLO16005	WASHER, LOCK, 1/2"
22	4	YNHX12005	HEX NUT, 3/8"-16
23	16	YNHX16005	HEX NUT, 1/2"
24	1	YNJM16005	HEX NUT, JAM, 1/2"-13
25	4	YNTL10005	HEX NUT, TOP LOCK, 5/16"-18
*	1	TS216	GEARBOX COMPLETE

NOTE: * MEANS NOT SHOWN
A/R: MEANS AS REQUIRED

Figure 15

Auger Front & Rear Hydraulic Cylinder

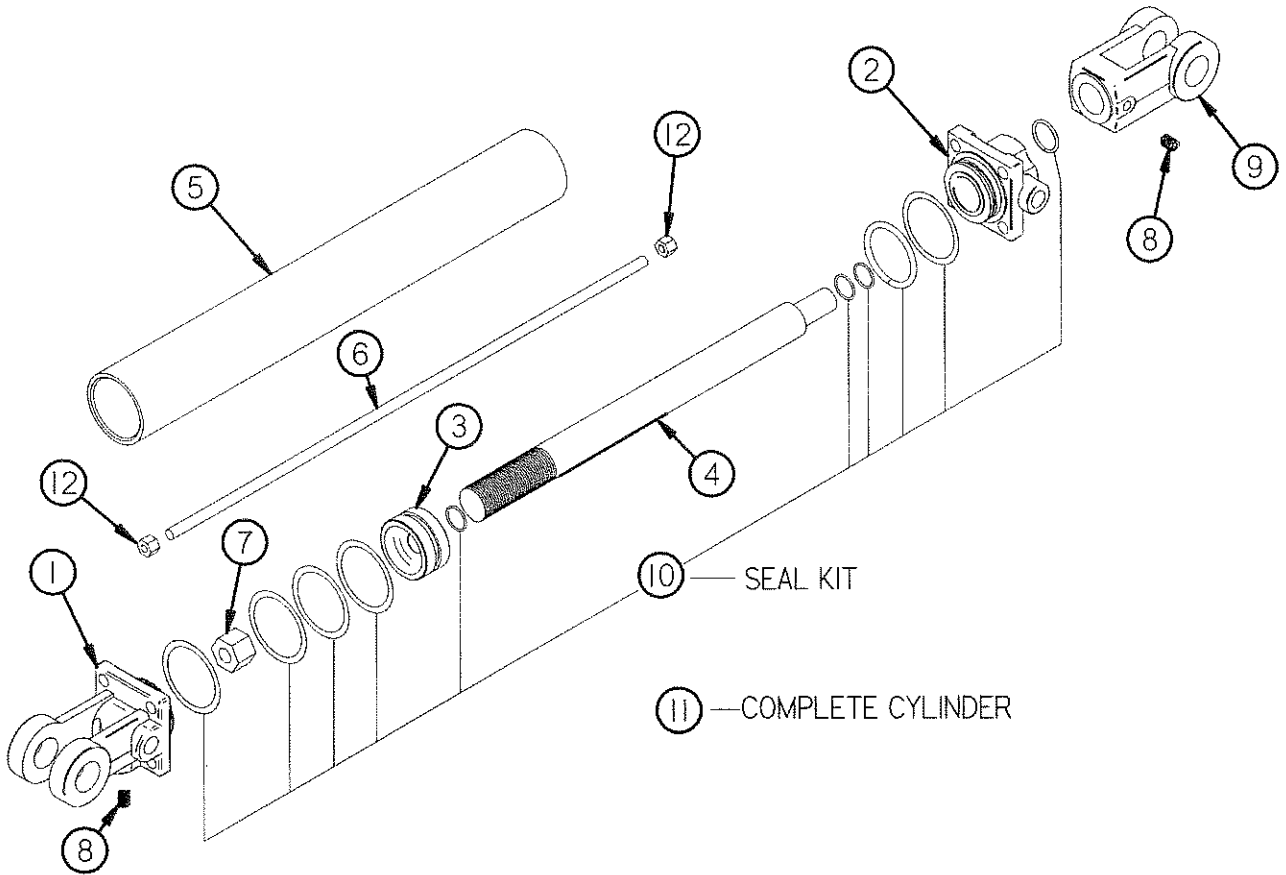


PART #

<u>ITEM #</u>	<u>QUANTITY</u>	<u>3" BORE</u>	<u>3-1/4" BORE</u>	<u>DESCRIPTION</u>
1	1	TS140	"	BACK-UP (ROD)
2	2	TS141	TS164	BACK-UP (HEAD & BASE)
3	1	TS142	"	CAPSCREW
4	1	TS143	"	CLEVIS NUT
5	8	TS144	TS165	TIE ROD NUT
6	1	TS145	TS166	PISTON NUT
7	1	TS146	TS167	O-RING (PRELOAD)
8	1	TS147	"	O-RING (ROD)
9	2	TS148	TS168	O-RING (HEAD & BASE)
10	2	TS149	"	PIN CLIP
11	1	TS150	TS169	TEFLON RING
12	1	TS151	TS170	WEAR RING
13	1	TS152	"	PLUG ASSY (3/4-16 SAE)
14	4	TS153	TS171	TIE ROD
15	1	TS154	"	WIPER
16	1	TS155	"	CLEVIS ASSEMBLY
17	1	TS156	TS172	ROD
18	1	TS157	TS173	TUBE
19	1	TS158	TS174	HEAD (3/4-16 SAE PORT)
20	1	TS159	TS175	PISTON NUT
21	1	TS160	TS176	BASE (3/4-16 SAE PORT)
22	1	TS161	"	CLEVIS PIN (ROD) 1" DIA.
23	1	TS162	"	CLEVIS PIN (BASE) 1" DIA.
24	1	TS163	TS177	SEAL KIT

NOTE: " MEANS SAME AS PREVIOUS MODEL

Figure 16 Expeller Door Hydraulic Cylinder

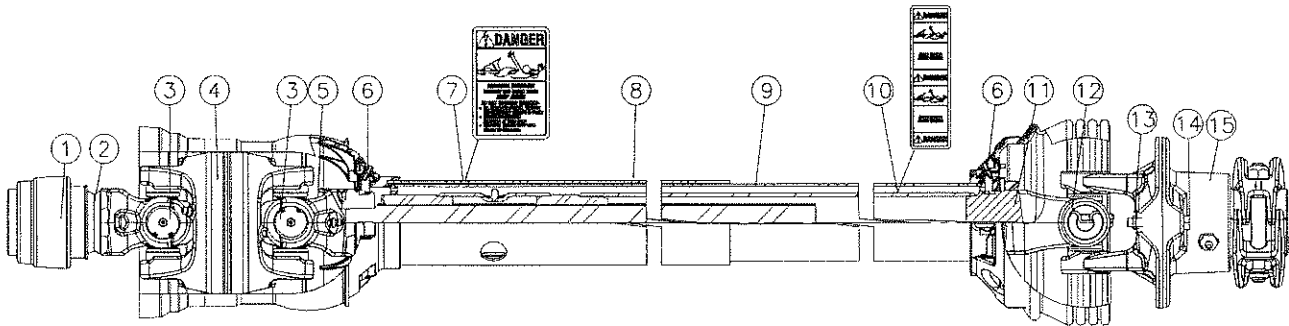


<u>ITEM #</u>	<u>QUANTITY</u>	<u>PART #</u>	<u>DESCRIPTION</u>
1	1	23N142	CLEVIS CAP
2	1	23N143	ROD CAP
3	1	23N144	PISTON
4	1	23N145A	ROD
5	1	23N146	CYLINDER TUBE
6	4	23N147	TIE ROD
7	1	23N148	PISTON NUT
8	2	23N149	PLUG
9	1	23N150	ROD CLEVIS
10	1	23N151	SEAL KIT
11	1	23N111A	COMPLETE HYDRAULIC CYLINDER
12	8	YNHX12005	HEX NUT, 3/8"-16

Figure 17
PTO

16 17

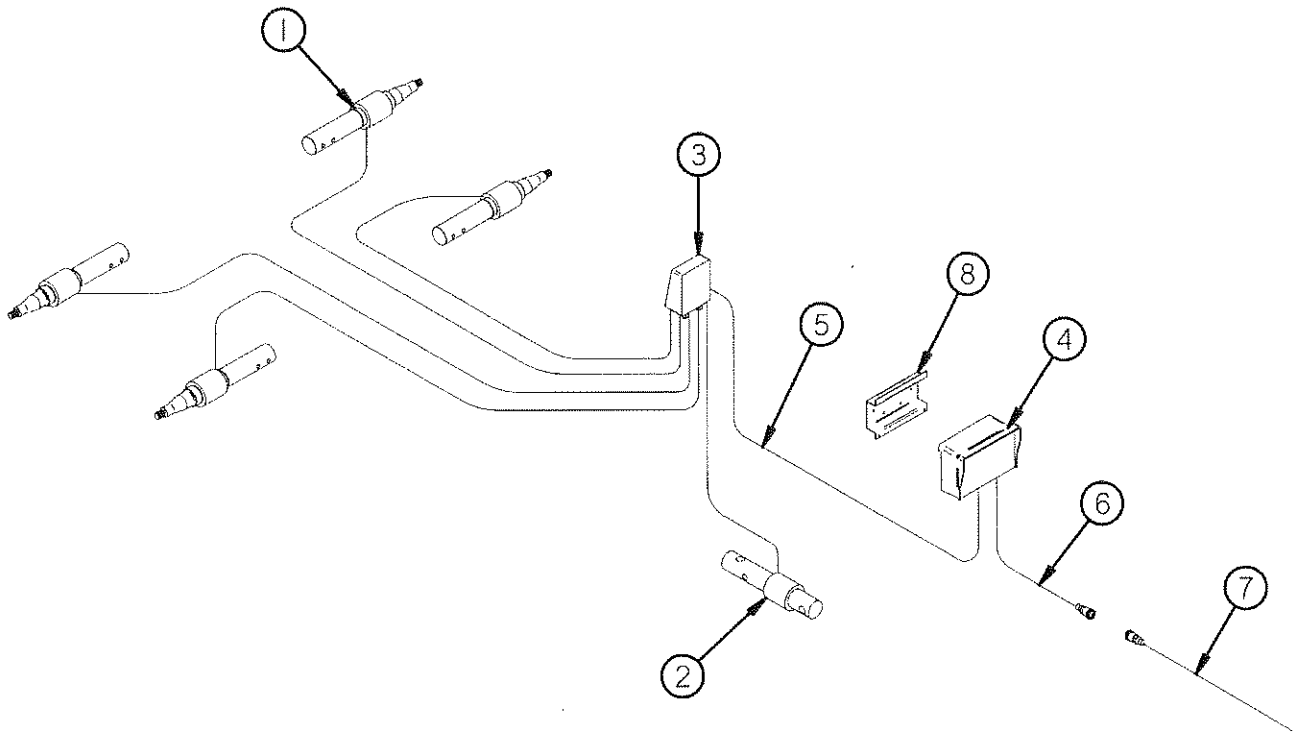
18 19



PART #

ITEM#	1000RPM (1-3/8)	1000 RPM (1-3/4)	DESCRIPTION
1	16SV274	16SV275	SAFETY SLIDE LOCK REPAIR KIT
2	TS190	TS193	SAFETY SLIDE LOCK YOKE ASSEMBLY
3	TS179	"	CROSS KIT
4	TS180	"	CENTER HOUSING
5	TS287	"	YOKE & SHAFT
6	16SV383	"	GUARD REPAIR KIT
7	16SV283	"	SAFETY SIGN 13-10021
8	TS288	"	OUTER GUARD
9	TS289	"	INNER GUARD
10	16SV388	"	SAFETY SIGN 13-10022
11	TS290	"	YOKE, TUBE & SLIP SLEEVE
12	16SV179	"	35R CROSS & BEARING KIT
13	YNL10005	"	HEX NUT, TOP LOCK, 5/16"-18
14	YBHH10075	"	BOLT, 5/16" X 2" GR. 8
15	TS291	"	OR BALL SHEAR ASSEMBLY
16	TS292	TS296	JOINT & SHAFT HALF ASSM. W/GUARD
17	TS293	TS297	JOINT & SHAFT HALF ASSM.
18	TS294	"	JOINT & TUBE HALF ASSM. W/GUARD
19	TS295	"	JOINT & TUBE HALF ASSM.
20	TS303	—	COMPLETE PTO (#245-25123)
21	—	TS304	COMPLETE PTO (#245-25124)

Figure 18 Scale



<u>ITEM #</u>	<u>QUANTITY</u>	<u>PART #</u>	<u>DESCRIPTION</u>
1	4	TS334	SPINDLE LOAD CELL
*	4	TS335	SPINDLE LOAD CELL (FOR OPTIONAL TANDEM)
2	1	TS336	HITCH LOAD CELL
3	1	TS83	JUNCTION BOX
4	1	TS339	SCALE DISPLAY
*	1	TS337	SCALE DISPLAY W/GPS (OPTIONAL)
5	1	TS338	JUNCTION BOX CORD
6	1	TS385	POWER CORD
7	1	16SV269	TRACTOR POWER CORD
8	1	GM408	SCALE HANGER BRACKET

NOTE: * MEANS NOT SHOWN