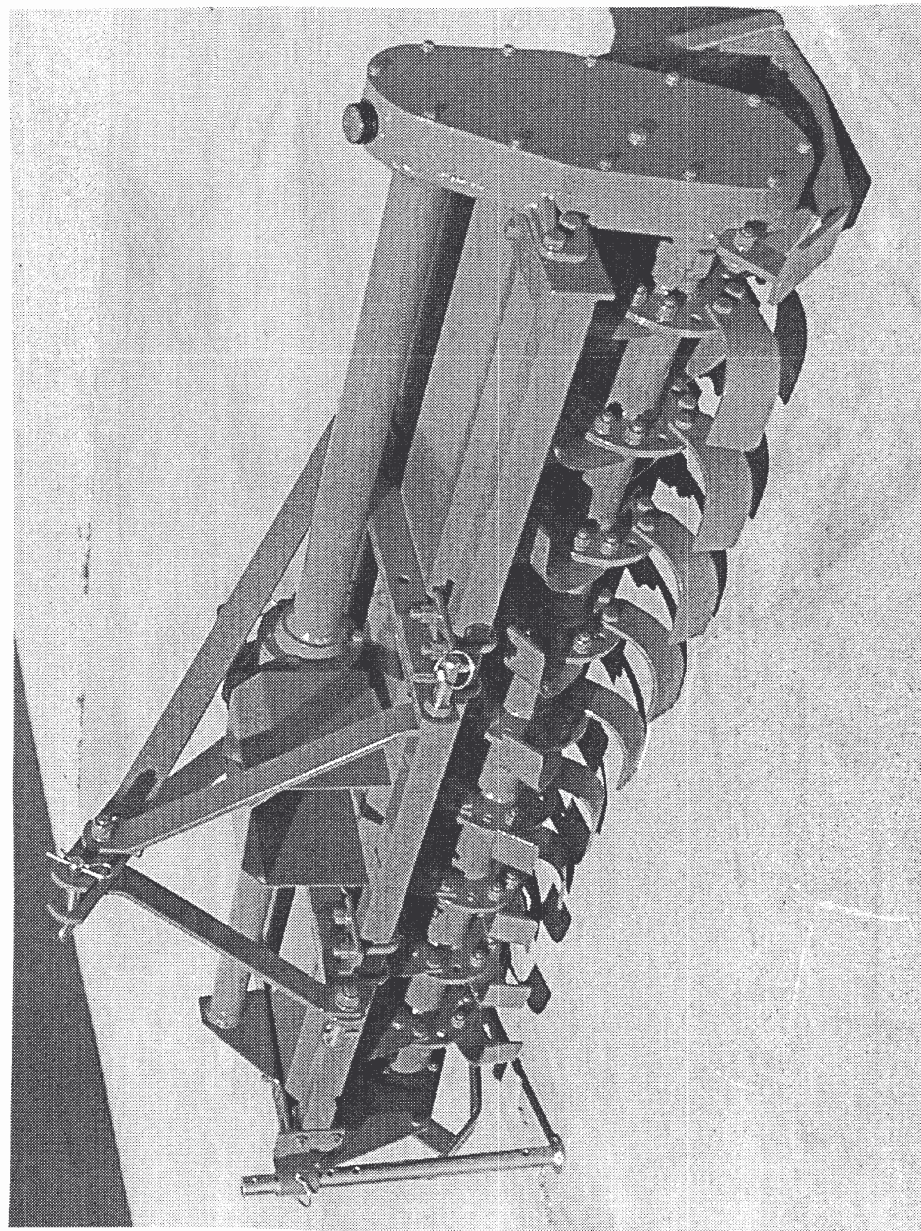


**ROTARY TILLER FOR TRACTORS UP TO 60 HP
FRAISE ROTATIVE POUR TRACTEURS JUSQU'A 60 HP
BODENFRAESE FUER SCHLEPPER BIS 60 HP
FRESADORA AGRICOLA PARA TRACTORES HASTA 60 HP
ZAPPATRICE PER TRATTORI FINO A 60 HP**



Mod. RTB

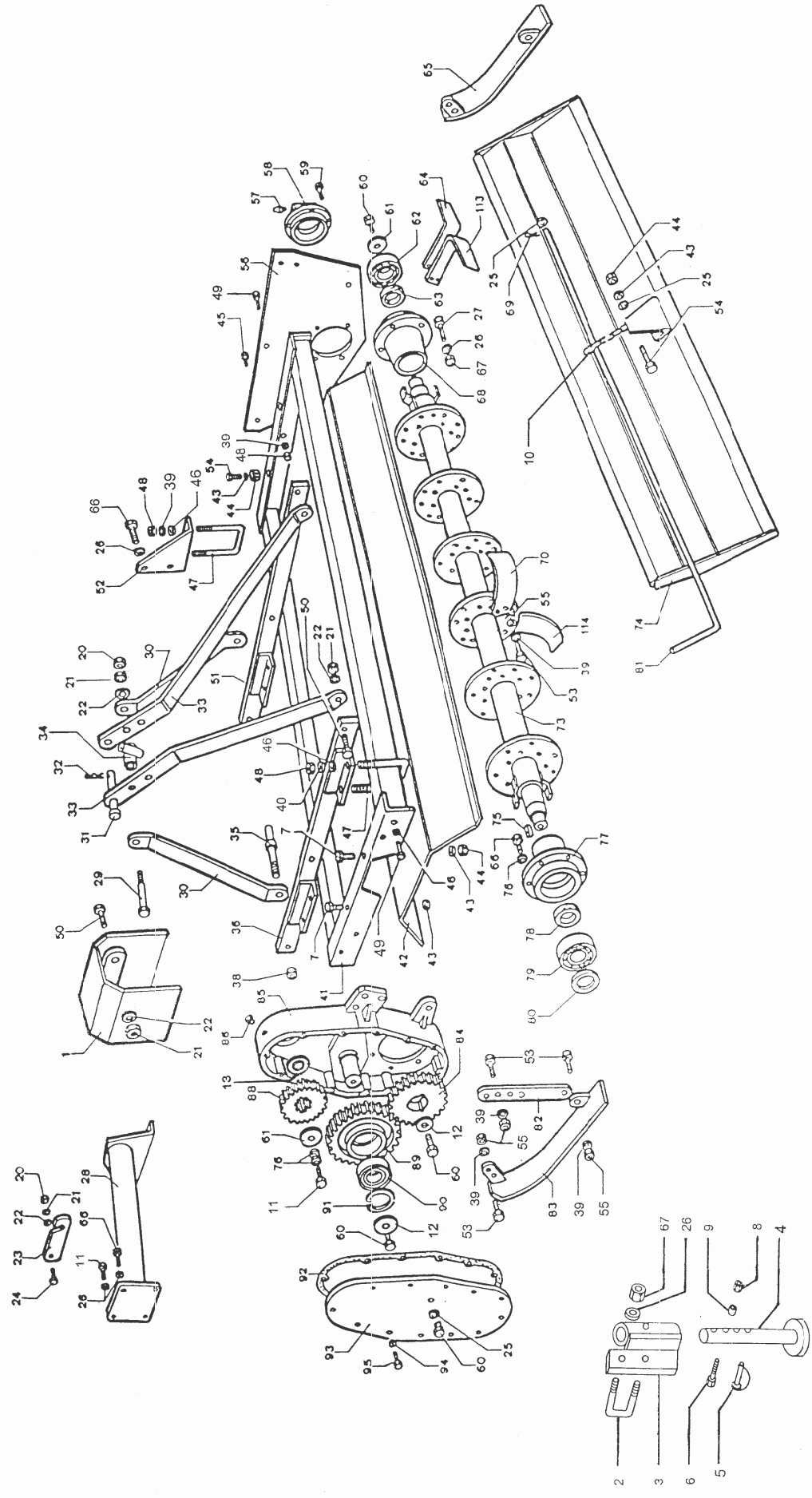
cm. 130 / 150 / 180 / 200
inch. 52 / 60 / 72 / 80

R T B - 1

R T B - 2

RTB 130 / 150 / 180 / 200
RTB 52 / 60 / 72 / 80

RTB-1



RIF.	CODICE	Q.tà	DENOMINAZIONE	DESCRIPTION	DESIGNATION	BENENNUNG	NOTE
1	EU1300048B	1	PROTEZIONE P.T.O	P.T.O GUARD	PROTECTION P.T.O	SCHUTZ P.T.O	
2	EU0000929A	1	CAVALLOTTO M10	U-BOLT	ETRIER	DOPPELSTUETZE	ZINCATO
3	EU1001752A	1	ATTACCO PIEDE	SUPPORT	SUPPORT	HALTER	ZINCATO GIALLO
4	EU9200050A	1	PIEDE DI SOSTEGNO	SUPPORTING FOOT	SUPPORT	STUTZFUB	ZINCATO GIALLO
5	90911001	1	SPINOTTO	PIN	BAGUE	BOLZEN	Ø110 L=70 ZINC.
6	2760059	1	VITE	SCREW	VIS	SCHRAUBE	M6X70 F.P. ZINC.
7	2760193	2	VITE	SCREW	VIS	SCHRAUBE	M12X1.5X30
8	2125119	1	DADO BLOCK	NUT	ECROU	MUTTER	M6 A
9	EU6201062AB	1	DISTANZIALE	SPACER	ENTRETOISE	DISTANZROHR	ZINCATO
10	EU2000033B	1	CATENA ZINCATA	CHAIN	CHAINE	KETTE	19 ANELLI
11	2760129	3	VITE	SCREW	VIS	SCHRAUBE	M10X20
12	EU0300087B	2	SPESSORE	SHIM	CALE	BEILAGSCHEIBE	67X13X2.5
13	EU1300090B	1	DISTANZIALE	SPACER	ENTRETOISE	DISTANZRHOR	54X40.5X14.5
20	2211453	2	DADO	NUT	ECROU	MUTTER	M16 B ZINCATO
21	2211454	4	DADO	NUT	ECROU	MUTTER	M16 A ZINCATO
22	2600127	4	RONDELLA GROWER	SPRING WASHER	RONDELLE ELASTIQUE	FEDERRING	M16 ZINCATO
23	EU1400044B	1	GANCIO	HOOK	CROCHET	KETTENHAKEN	
24	2760136	1	VITE	SCREW	VIS	SCHRAUBE	M16X60 ZINC.
25	2600181	4	RONDELLA PIANA	WASHER	RONDELLE	SCHEIBE	Ø12 ZINCATO
26	2600123	14	RONDELLA GROWER	SPRING WASHER	RONDELLE ELASTIQUE	FEDERRING	Ø10 ZINCATO
27	2760131	4	VITE	SCREW	VIS	SCHRAUBE	M10X30
28	EU1313007B	1	SUPPORTO DX RTB 130	R.H. SUPPORT RTB 130	SUPPORT DROITE RTB 130	OBERTREGER RECHTS RTB 130	
28	EU1315007B	1	SUPPORTO DX RTB 150	R.H. SUPPORT RTB 150	SUPPORT DROITE RTB 150	OBERTREGER RECHTS RTB 150	
28	EU1318007B	1	SUPPORTO DX RTB 180	R.H. SUPPORT RTB 180	SUPPORT DROITE RTB 180	OBERTREGER RECHTS RTB 180	
28	EU1320007B	1	SUPPORTO DX RTB 200	R.H. SUPPORT RTB 200	SUPPORT DROITE RTB 200	OBERTREGER RECHTS RTB 200	
29	2760305	1	VITE	SCREW	VIS	SCHRAUBE	M16X130 F.P. ZINC.
30	EU1300053B	2	ASTA CORTA 3° PUNTO	3° POINT SUPPORT	SUPPORT 3° POINT	3 PUNKT STAENDER	
31	EU0100084B	1	SPINA 3° PUNTO	3° POINT PIN	AXE 3° POINT	3 PUNKT STIFT	1° cat. ZINCATO
32	2901213	1	COPIGLIA "R"	SAFETY PIN	GOUILLE DE SURETE	FEDERSPLINT	Ø5
33	EU1300052B	2	ASTA LUNGA 3° PUNTO	3° POINT SUPPORT	SUPPORT 3° POINT	3 PUNKT STAENDER	
34	EU0101085B	1	DISTANZIALE	SPACER	ENTRETOISE	DISTANZSTUECK	ZINCATO
35	EU0100081B	2	PERNO DI SOLLEVAMENTO	LIFT PIN	PIVOT SOULEVEMENT	BOLZEN	1° cat. ZINCATO
36	EU1300057B	1	ATTACCO SOLLEVAMENTO SX	L.H.LIFT ARM	BRAS SOULEVEMENT GAUCHE	HEBEKREUZSTANGE	
38	2125491	2	DADO BLOCK	NUT	ECROU	MUTTER	M22X1.5 A ZINC.
39	1701760	15*	RONDELLA GROWER	SPRING WASHER	RONDELLE ELASTIQUE	FEDERRING	Ø14
40	1701761	12	RONDELLA GROWER	SPRING WASHER	RONDELLE ELASTIQUE	FEDERRING	Ø14 ZINCATO
41	EU1313001B	1	TELAIO RTB 130	FRAME RTB 130	CHASSIS RTB 130	RAHMEN RTB 130	
41	EU1315001B	1	TELAIO RTB 150	FRAME RTB 150	CHASSIS RTB 150	RAHMEN RTB 150	
41	EU1318001B	1	TELAIO RTB 180	FRAME RTB 180	CHASSIS RTB 180	RAHMEN RTB 180	
41	EU1320001B	1	TELAIO RTB 200	FRAME RTB 200	CHASSIS RTB 200	RAHMEN RTB 200	
42	EU1313009B	1	LAMIERA TELAI0 RTB 130	FRAME PLATE RTB 130	CAPOTE RTB 130	RAHMENBLECH RTB 130	
42	EU1315009B	1	LAMIERA TELAI0 RTB 150	FRAME PLATE RTB 150	CAPOTE RTB 150	RAHMENBLECH RTB 150	
42	EU1318009B	1	LAMIERA TELAI0 RTB 180	FRAME PLATE RTB 180	CAPOTE RTB 180	RAHMENBLECH RTB 180	
42	EU1320009B	1	LAMIERA TELAI0 RTB 200	FRAME PLATE RTB 200	CAPOTE RTB 200	RAHMENBLECH RTB 200	

* + N°8 pz. per flangia rotore

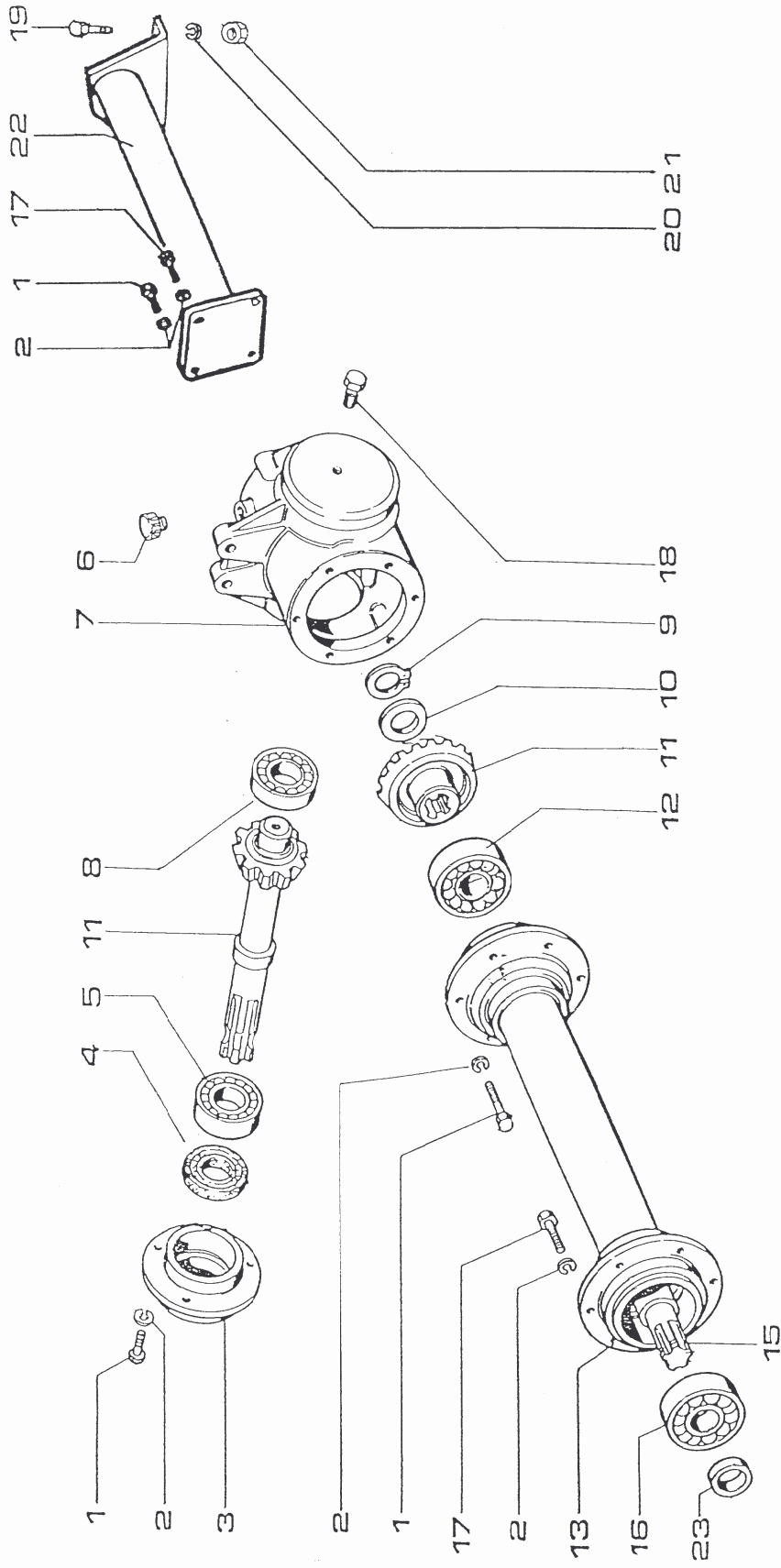
RIF.	CODICE	Q.tà	DENOMINAZIONE	DESCRIPTION	DESIGNATION	BENENNING	NOTE
43	2600183	4	RONDELLA GROWER	SPRING WASHER	RONDELLE ELASTIQUE	FEDERRING	Ø12 ZINC.
44	2125189	4	DADO	NUT	ECROU	MUTTER	M12X1.5 A ZINC.
45	2760158	6	VITE	SCREW	VIS	SCHRAUBE	M14X25
46	851225	14	RONDELLA PIANA	WASHER	RONDELLE	SCHEIBE	Ø14 ZINCATO
47	EU0000929B	7	CAVALLOTTO	U-BOLT	ETRIER	DOPPELSTUETZE	M14 ZINCATO
48	2211451	15	DADO	NUT	ECROU	MUTTER	M14 A ZINCATO
49	2760154	2	VITE	SCREW	VIS	SCHRAUBE	M14X30
50	2760351	3	VITE	SCREW	VIS	SCHRAUBE	M16X50 F.P. ZINC.
51	EU1300056B	1	ATTACCO SOLLEVAMENTO DX	R.H LIFT ARM	BRAS SOULEVEMENT DROIT	HEBEKREUZSTANGE RECHTS	
52	EU1300047B	1	RINFORZO GRUPPO	BRACKET	RENFORT	VERSTAERKUNG	
53	2760159	6*	VITE	SCREW	VIS	SCHRAUBE	M14X1.5X40 F.P.
54	2760194	2	VITE	SCREW	VIS	SCHRAUBE	M12X1.5X35 ZINC.
55	2125064	6*	DADO	NUT	ECROU	MUTTER	M14X1.5 A
56	EU1300045B	1	FIANCATA ROTORE DX	R.H SIDE FRAME	FLANC DU CHASSIS GAUCHE	ROTOR SEITENWAND	
57	90811001	1	INGRASSATORE	GREASE NIPPLE	GRAISSEUR	FETTERSPRITZE	M10
58	EU0100037B	1	COPERCHIO ROTORE DX	R.H. ROTOR COVER	COUVERCLE ROTOR DROITE	ROTOR DECKEL RECHTS	
59	2760057	4	VITE	SCREW	VIS	SCHRAUBE	M6X35
60	2760190	3	VITE	SCREW	VIS	SCHRAUBE	M12X16
61	EU0100087B	2	RONDELLA	WASHER	RONDELLE	SCHEIBE	55X13X2.5
62	EU0000415B	1	CUSCINETTO	BEARING	ROULEMENT	LAGER	2208
63	87100769	1	PARAOLIO	OIL SEAL	ANNEAU D'ETANCHITE	OELABDICHTUNG	45X65X10
64	EU1302179B	***	ZAPPETTA ANGOLARE DX	R.H. ANGULAR BLADE	LAME EQUERRE DROITE	WINKELMESSER RECHTS	N°2 pz. Per flangia
65	EU1300040B	1	SLITTA DX	R.H. SKID	PATIN DROITE	RECHTSKUFE	
66	2760130	15	VITE	SCREW	VIS	SCHRAUBE	M10X25
67	2125126	4	DADO	NUT	ECROU	MUTTER	M10 A ZINC.
68	EU0100030B	1	SCATOLA ROTORE DESTRA	R.H ROTOR HOUSING	SUPPORT DU ROTOR DROITE	ROTORGEHAUSE RECHTS	
69	2901211	1	COPPIGLIA A "R"	SAFETY PIN	GOUPILLE DE SURETE	FEDERSPLINT	Ø4 ZINC.
70	252065DX	***	ZAPPETTA A VIRGOLA DX	R.H. SPEED BLADE	LAME HELICOIDALE DROITE	KOMMA MESSER RECHTS	N°2 pz. Per flangia
73	EU1313008B	1	ROTORE RTB 130	ROTOR RTB 130	ROTOR RTB 130	ROTOR RTB 130	
73	EU1315008B	1	ROTORE RTB 150	ROTOR RTB 150	ROTOR RTB 150	ROTOR RTB 150	
73	EU1318008B	1	ROTORE RTB 180	ROTOR RTB 180	ROTOR RTB 180	ROTOR RTB 180	
73	EU1320008B	1	ROTORE RTB 200	ROTOR RTB 200	ROTOR RTB 200	ROTOR RTB 200	
74	EU1313003B	1	BANDA POSTERIORE RTB 130	REAR SHIELD RTB 130	TOLE ARRIERE RTB 130	PLANIERHAUBE RTB 130	
74	EU1315003B	1	BANDA POSTERIORE RTB 150	REAR SHIELD RTB 150	TOLE ARRIERE RTB 150	PLANIERHAUBE RTB 150	
74	EU1318003B	1	BANDA POSTERIORE RTB 180	REAR SHIELD RTB 180	TOLE ARRIERE RTB 180	PLANIERHAUBE RTB 180	
74	EU1320003B	1	BANDA POSTERIORE RTB 200	REAR SHIELD RTB 200	TOLE ARRIERE RTB 200	PLANIERHAUBE RTB 200	
76	2601223	8	RONDELLA PIANA	WASHER	RONDELLE	SCHEIBE	Ø10 ZINC.
77	EU1300029B	1	SCATOLA ROTORE SX	L.H. ROTOR HOUSING	SUPPORT DU ROTOR GAUCHE	ROTOR GEHAUSE LINKS	
78	2010281	2	PARAOLIO	OIL SEL	ANNEAU D'ETANCHITE	OELABDICHTUNG	55X75X10
79	EU0000413B	1	CUSCINETTO	BEARING	ROULEMENT	LAGER	1310
80	EU1300089B	1	DISTANZIALE	SPACER	ENTRETOISE	DISTANZSTUECK	64X51X8
81	EU0113004B	1	SPINA RTB 130	PIN RTB 130	AXE RTB 130	STIFT RTB 130	
81	EU0115004B	1	SPINA RTB 150	PIN RTB 150	AXE RTB 150	STIFT RTB 150	
81	EU0118004B	1	SPINA RTB 180	PIN RTB 180	AXE RTB 180	STIFT RTB 180	

* + N°8 pz. per flangia rotore

RIF.	CODICE	Q.tà	DENOMINAZIONE	DESCRIPTION	DESIGNATION	BENENNING	NOTE
81	EU0120004B	1	SPINA RTB 200	PIN RTB 200	AXE RTB 200	STIFT RTB 200	
82	EU1300050B	2	ASTA REGOLAZIONE SLITTA	SKID ADJUSTMENT ROD	TIGE REGLAGE PATIN	SCHLITTEN REGLUNGSTANGE	
83	EU1300041B	1	SLITTA SX	L.H. SKID	PATIN GAUCHE	LINKSKUFE	
84	EU1300028B	1	INGRANAGGIO INFERIORE	LOWER CASE	ENGRENAGE INFERIEUR	UNTERZAHNRAD	Z = 28
85	EU1300022B	1	CHITARRA	GEAR CASE	BOITE A ENGRENAGES	GEHAEUSE	
86	EU0000804B	1	TAPPO OLIO	OIL FILL PLUG	BOUCHON HUILE	OELABFUELLUNGSSCHRAUBE	
88	EU1300025B	1	INGRANAGGIO SUPERIORE	UPPER GEAR	ENGRENAGE SUPERIEUR	OBERZAHNRAD	Z = 16
89	EU0100026B	1	INGRANAGGIO CENTRALE	MIDDLE GEAR	ENGRENAGE CENTRAL	MITTELZAHNRAD	Z = 34
90	EU0000401B	1	CUSCINETTO	BEARING	ROULEMENT	LAGER	3210
91	2020690	1	SEEGER	RETAINING RING	ARRETOIR	SEEGERRING	ØI. 90
92	EU1300024B	1	GUARNIZIONE	GASKET	GARNITURE	DICHTUNG	
93	EU1300023B	1	COPERCHIO CHITARRA	GEAR CASE COVER	COUVERCLE DE LA BOITE	GEHAEUSES DECKEL	
94	2600152	12	RONDELLA PIANA	WASHER	RONDELLE	SCHEIBE	Ø8X17 ZINC.
95	2760064	12	VITE	SCREW	VIS	SCHRAUBE	M8X20 ZINC.
113	EU1302180B	***	ZAPPETTA ANGOLARE SX	L.H. ANGULAR BLADE	LAME EQUERRE DROITE	WINKELMESSER RECHTS	N°2 pz. Per flangia
114	252065SX	***	ZAPPETTA A VIRGOLA SX	L.H. SPEED BLADE	LAME HELICOIDALE GAUCHE	LINKES BOGENMESSER	N°2 pz. Per flangia

RTB 130 / 150 / 180 / 200
RTB 52 / 60 / 72 / 80

RTB-2



RIF.	CODICE	Q.tà	DENOMINAZIONE	DESCRIPTION	DESIGNATION	BENENNING	NOTE
1	2760129	11	VITE	SCREW	VIS	SCHRAUBE	M10X20
2	2600123	19	RONDELLA GROWER	WASHER	RONDELLE	FEDERRING	Ø10
3	EU1400032A	1	COPERCHIO	FRONT COVER	COUVERCLE ANTERIEUR	DECKEL	
4	2010280	1	PARAOLIO	OIL SEAL	ANNEAU D'ETANCHITE	OELABDICHTUNG	35X56X10
5	2120209	1	CUSCINETTO	BEARING	ROULEMENT	LAGER	6207
6	G1380135	1	TAPPO SFIATO	PLUG	BOUCHON	SCHRAUBENVERSCHLUSS	3/4
7	EU1400021A	1	SCATOLA	GEARBOX	BOITE	GEHAUSE	
8	2120215	1	CUSCINETTO	BEARING	ROULEMENT	LAGER	6307
9	220680	2	SEEGER	RETAINING RING	ARRETOIR	SEEGERRING	ØE.40
10	EU1400088A	1	DISTANZIALE	SPACER	ENTRETOISE	DISTANZRHOR	
11	EU1400059A	1	COPIA CONICA	BEVEL / PINION	COUPLE CONIQUE	KEGELRADGETRIEBE	
12	2120245A	1	CUSCINETTO	BEARING	ROULEMENT	LAGER	6308-2RS
13	EU1412005B	1	SUPPORTO ALBERO RTB 130	SHAFT SUPPORT RTB 130	SUPPORT ARBRE RTB 130	ANTRIEBSWELLE HALTERUNG	
13	EU1415005B	1	SUPPORTO ALBERO RTB 150	SHAFT SUPPORT RTB 150	SUPPORT ARBRE RTB 150	ANTRIEBSWELLE HALTERUNG	
13	EU1318005B	1	SUPPORTO ALBERO RTB 180	SHAFT SUPPORT RTB 180	SUPPORT ARBRE RTB 180	ANTRIEBSWELLE HALTERUNG	
13	EU1320005B	1	SUPPORTO ALBERO RTB 200	SHAFT SUPPORT RTB 200	SUPPORT ARBRE RTB 200	ANTRIEBSWELLE HALTERUNG	
15	EU1413006B	1	ALBERO RTB 130	SHAFT RTB 130	ARBRE RTB 130	ANTRIEBSWELLE RTB 130	
15	EU1415006B	1	ALBERO RTB 150	SHAFT RTB 150	ARBRE RTB 150	ANTRIEBSWELLE RTB 150	
15	EU1418006B	1	ALBERO RTB 180	SHAFT RTB 180	ARBRE RTB 180	ANTRIEBSWELLE RTB 180	
15	EU1420006B	1	ALBERO RTB 200	SHAFT RTB 200	ARBRE RTB 200	ANTRIEBSWELLE RTB 200	
16	2120244	1	CUSCINETTO	BEARING	ROULEMENT	LAGER	6308 1Z
17	2760130	8	VITE	SCREW	VIS	SCHRAUBE	M10X25
18	92111807	1	TAPPO LIVELLO OLIO	OIL LEVEL PLUG	BOUCHON NIVEAU HUILE	STANDPFROPFEN	
19	2760194	2	VITE	SCREW	VIS	SCHRAUBE	M12X1.5X35
20	2600183	2	RONDELLA GROWER	SPRING WASHER	RONDELLE ELASTIQUE	FEDERRING	Ø12
21	2125189	2	DADO	NUT	ECROU	MUTTER	M12X1.5 A
22	EU1313007B	1	SUPPORTO DX RTB 130	R.H. SUPPORT RTB 130	SUPPORT DROITE RTB 130	OBERTREGER RECHTS RTB 130	
22	EU1315007B	1	SUPPORTO DX RTB 150	R.H. SUPPORT RTB 150	SUPPORT DROITE RTB 150	OBERTREGER RECHTS RTB 150	
22	EU1318007B	1	SUPPORTO DX RTB 180	R.H. SUPPORT RTB 180	SUPPORT DROITE RTB 180	OBERTREGER RECHTS RTB 180	
22	EU1320007B	1	SUPPORTO DX RTB 200	R.H. SUPPORT RTB 200	SUPPORT DROITE RTB 200	OBERTREGER RECHTS RTB 200	
23	EU1300090B	1	DISTANZIALE	SPACER	ENTRETOISE	DISTANZRHOR	54X40.5X14.5