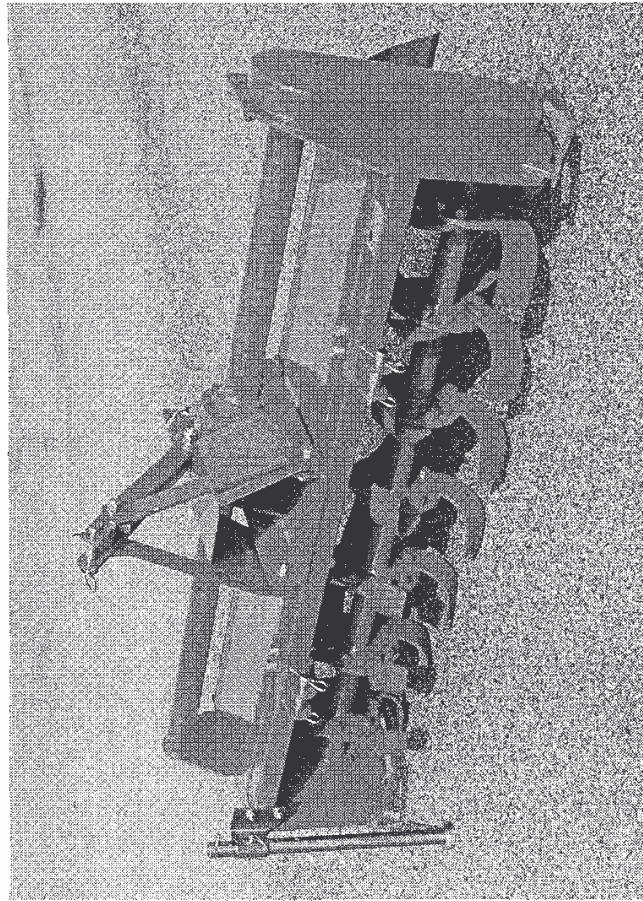


ROTARY TILLER FOR TRACTORS UP TO 40 HP
FRAISE ROTATIVE POUR TRACTEURS JUSQ'À 40 HP
BODENFRAESE FUER SCHLEPPER BIS 40 HP
FRESADORA AGRICOLA PARA TRACTORES HASTA 40 HP
ZAPPATRICE PER TRATTORI FINO A 40 HP



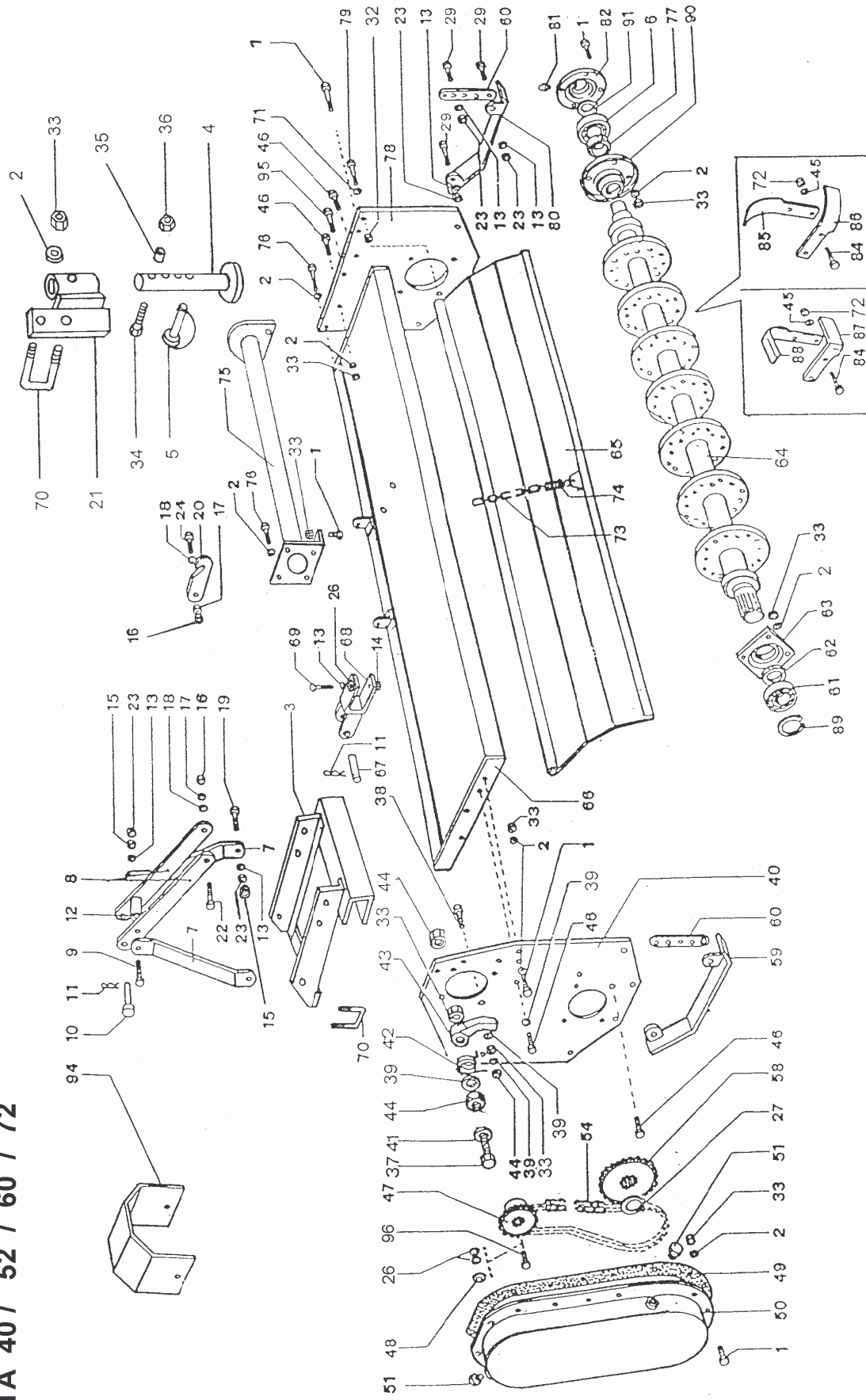
Mod. RTA
cm. 100 / 130 / 150 / 180
inch. 40 / 52 / 60 / 72

R T A - 1

R T A - 2

RTA 100 / 130 / 150 / 180
RTA 40 / 52 / 60 / 72

RTA - 1



RIF.	CODICE	Q.tà	DENOMINAZIONE	DESCRIPTION	DESIGNATION	BENENNING	NOTE
1	2760130	23	VITE	SCREW	VIS	SCHRAUBE	M 10X25
2	2600123	47	RONDELLA GROWER	WASHER	RONDELLE	SCHEIBE	M10 ZN.
3	EU2000057A	1	BASE ATTACCO 3° PUNTO	BASE	SUPPORT	GETRIEBESTUETZE	
4	EU9200050A	1	PIEDE DI SOSTEGNO	SUPPORTING FOOT	SUPPORT	HALTER	ZN.
5	90911001	1	SPINOTTO	PIN	BAGUE	BOLZEN	Ø10 ZN.
6	2120209	1	CUSCINETTO	BEARING	ROULEMENT	LAGER	6207 B
7	EU1400053A	2	ASTA 3° PUNTO	ROD	TIGE	KUFENREGLERPLATTE	
8	EU1400052A	2	ASTA TIRANTE 3° PUNTO	ROD	TIGE	KUFENREGLERPLATTE	
9	2760185	1	VITE	SCREW	VIS	SCHRAUBE	M12X1.5X110 ZN. FP.
10	EU0100083A	1	PERNO 3° PUNTO	PIN	AXE	STIFT	ZN.
11	2901211	5	COPIGLIA "R"	SAFETY PIN	GOUILLE DE SURETE	FEDERSPLINT	Ø4 ZN.
12	EU1403085A	1	DISTANZIALE	SPACER	ENTRETOISE	DISTANZROHR	ZN.
13	2600183	13	RONDELLA GROWER	WASHER	RONDELLE	SCHEIBE	M12 ZN.
14	2125186	4	DADO	NUT	ECROU	MUTTER	M 12
15	2125184	3	DADO	NUT	ECROU	MUTTER	M 12X1.5 B ZN.
16	2211453	2	DADO	NUT	ECROU	MUTTER	M 16 B ZN.
17	2211454	2	DADO	NUT	ECROU	MUTTER	M 16 A ZN.
18	2600127	2	RONDELLA GROWER	WASHER	RONDELLE	SCHEIBE	M16 ZN.
19	2760124	2	VITE	SCREW	VIS	SCHRAUBE	M 12X1.5X60 ZN.
20	EU1400044B	1	GANCIO	HOOK	CROCHET	KETTENHAKEN	
21	EU1001752A	1	ATTACCO PIEDE	SUPPORT	SUPPORT	HALTER	ZN.
22	2760354	1	VITE	SCREW	VIS	SCHRAUBE	M 16X70 ZN.
23	2125189	9	DADO	NUT	ECROU	MUTTER	M 12X1.5 A ZN.
24	2760136	1	VITE	SCREW	VIS	SCHRAUBE	M 16X60 F.P. ZN.
26	2600181	6	RONDELLA PIANA	WASHER	RONDELLE	SCHEIBE	M12 ZN.
27	220680	1	SEEGER	CIRCLIP	ARRETOIR	SEEGERRING	ØE.40
29	2760194	6	VITE	SCREW	VIS	SCHRAUBE	M12X1.5X35 ZN.
32	2125063	2	DADO	NUT	ECROU	MUTTER	M14X1.5
33	2125126	40	DADO	NUT	ECROU	MUTTER	M 10 A ZN.
34	2760059	1	VITE	SCREW	VIS	SCHRAUBE	M6X70 F.P. ZN.
35	EU6201062AB	1	MANICO PER PIEDE	PIN	BAGUE	BOLZEN	ZN.
36	2125119	1	DADO BLOCK	NUT	ECROU	MUTTER	M6 A ZN
37	2760122	1	VITE	SCREW	VIS	SCHRAUBE	M 10X80
38	2760139	1	VITE	SCREW	VIS	SCHRAUBE	M 10X40
39	2601223	3	RONDELLA PIANA	WASHER	RONDELLE	SCHEIBE	M10 ZN.
40	EU0800046A	1	FIANCATA SINISTRA	L.H. SIDE FRAME	FLANC DU CHASSIS DROITE	SEITENWAND LINKS	
41	2601224	1	RONDELLA PIANA	WASHER	RONDELLE	SCHEIBE	Ø10X30
42	EU2000035A	1	MOLLA	SPRING	RESSORT	SPRINGFEDER	
43	EU2300034A	1	TENDITORE	CHAIN TIGHTENER	TENDEUR DE CHAINE	KETTENSPELLER	
44	2125157	3	DADO TRISTOP	NUT	ECROU	MUTTER	M10
45	1701760	***	RONDELLA GROWER	WASHER	RONDELLE	SCHEIBE	M14

R T A - 1

RIF.	CODICE	Q.tà	DENOMINAZIONE	DESCRIPTION	DESIGNATION	BENENNING	NOTE
46	2760131	12	VITE	SCREW	VIS	SCHRAUBE	M 10X30
47	EU0801025A	1	PIGNONE	SPROCKET	PIGNON	KETTENRITZEL	Z9
48	EU0800087A	1	RONDELLA	WASHER	RONDELLE	SCHEIBE	61X13X2.5
49	EU2000024A	1	GUARNIZIONE	GASKET	GARNITURE	DICHTUNG	
50	EU2300022A	1	COFANO CATENA	CHAIN HOUSING	BOITE DE CHAINE	KETTENKASTEN	
51	92111807	2	TAPPO LIVELLO OLIO	OIL LEVEL PLUG	BOUCHON NIVEAU HUILE	STANDPFROPFEN	3/8" GAS
54	EU2200900A	1	CATENA	CHAIN	CHAINE	KETTE	ASA 100
58	EU2300027A	1	PIGNONE	SPROCHET	PIGNON	KETTENRITZEL	Z14
59	EU2000041A	1	LITTA SINISTRA	L.H. SKID	PATIN GAUCHE	LINKSKUFE	
60	EU1400050A	2	ASTA REGOLAZIONE	ROD	TIGE	KUFENREGLERPLATTE	
61	2120245A	1	CUSCINETTO	BEARING	ROULEMENT	LAGER	6308 A
62	2010288	1	PARAOILIO	OIL SEAL	ANNEAU D'ETANCHITE	OELABDICHTUNG	50x72x8
63	EU2300029A	1	SUPPORTO CUSCINETTO SX	L.H. BEARING HOLDER	SUPPORT GAUCHE	LINKES LAGERSTUETZE	
64	EU2310002A	1	ROTORE RTA 100	ROTOR RTA 100	ROTOR RTA 100	ROTOR RTA 100	
	EU2313002A	1	ROTORE RTA 130	ROTOR RTA 130	ROTOR RTA 130	ROTOR RTA 130	
	EU2315002A	1	ROTORE RTA 150	ROTOR RTA 150	ROTOR RTA 150	ROTOR RTA 150	
	EU2318002A	1	ROTORE RTA 180	ROTOR RTA 180	ROTOR RTA 180	ROTOR RTA 180	
65	EU0810003A	1	BANDA RTA 100	REAR SHIELD RTA 100	TOLE ARRIERE RTA 100	PLANIERHAUBE RTA 100	
	EU0813003A	1	BANDA RTA 130	REAR SHIELD RTA 130	TOLE ARRIERE RTA 130	PLANIERHAUBE RTA 130	
	EU0815003A	1	BANDA RTA 150	REAR SHIELD RTA 150	TOLE ARRIERE RTA 150	PLANIERHAUBE RTA 150	
	EU0818003A	1	BANDA RTA 180	REAR SHIELD RTA 180	TOLE ARRIERE RTA 180	PLANIERHAUBE RTA 180	
66	EU0810001A	1	TELAIO RTA 100	FRAME RTA 100	CHASSIS RTA 100	RAHMEN RTA 100	
	EU0813001A	1	TELAIO RTA 130	FRAME RTA 130	CHASSIS RTA 130	RAHMEN RTA 130	
	EU0815001A	1	TELAIO RTA 150	FRAME RTA 150	CHASSIS RTA 150	RAHMEN RTA 150	
	EU0818001A	1	TELAIO RTA 180	FRAME RTA 180	CHASSIS RTA 180	RAHMEN RTA 180	
67	EU1400081A	2	SPINA DI SOLLEVAMENTO	PIN	AXE	STIFT	ZN.
68	EU2200058A	2	ATTACCO SOLLEVAMENTO	LIFT HITCH	ATELAGE	HEBEZEUG VERBINDUNG	
69	2760210	4	VITE	SCREW	VIS	SCHRAUBE	M12X90 ZN.
70	EU0000929A	3	CAVALLOTTO	U-BOLT	ETRIER	DOPPELSTUETZE	M10 ZN.
71	851225	4	RONDELLA PIANA	WASHER	RONDELLE	SCHEIBE	M14 ZN
72	2125064	***	DADO	NUT	ECROU	MUTTER	M14X1.5 A
73	EU2000033A	1	CATENA BANDA	REAR SHIELD CHAIN	CHAINE TOLE ARRIERE	HAUBENKETTE	14 ANELLI ZN.
74	EU2000036A	1	MOLLA BANDA	REAR SHIELD SPRING	RESSORT TOLE ARRIERE	HAUBENFEDERSPRING	ZN.
75	EU1410007A	1	SUPPORTO RIDUTTORE RTA100	GEARBOX HOLDER RTA100	SUPPORT BOITE RTA100	GEHAEUSENSTUETZE RTA100	
	EU1413007A	1	SUPPORTO RIDUTTORE RTA130	GEARBOX HOLDER RTA130	SUPPORT BOITE RTA130	GEHAEUSENSTUETZE RTA130	
	EU1415007A	1	SUPPORTO RIDUTTORE RTA150	GEARBOX HOLDER RTA150	SUPPORT BOITE RTA150	GEHAEUSENSTUETZE RTA150	
	EU1418007A	1	SUPPORTO RIDUTTORE RTA180	GEARBOX HOLDER RTA180	SUPPORT BOITE RTA180	GEHAEUSENSTUETZE RTA180	
76	2760129	6	VITE	SCREW	VIS	SCHRAUBE	M10X20 ZN.

*** n° 8 per flangia

R T A - 1

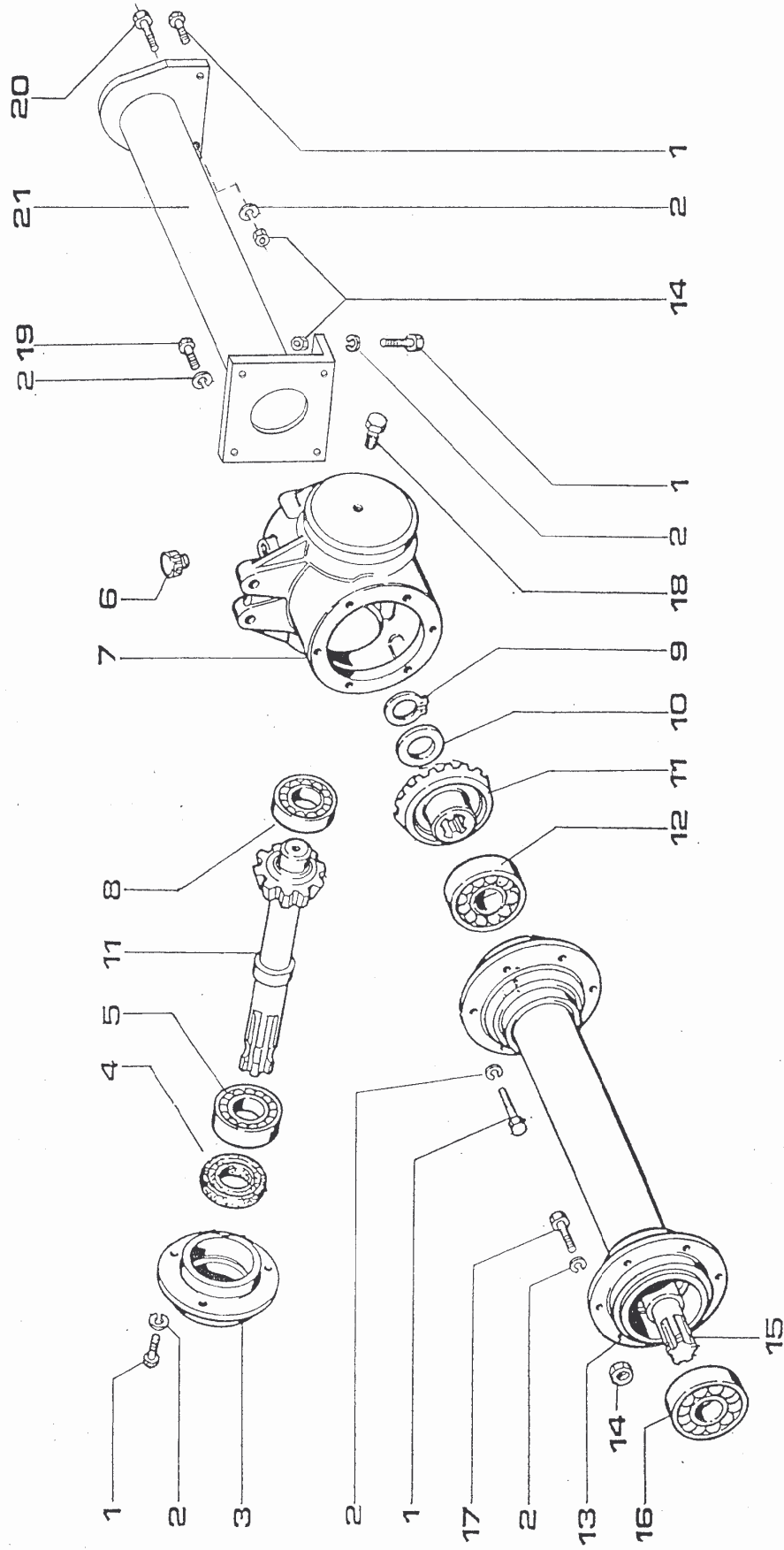
RIF.	CODICE	Q.tà	DENOMINAZIONE	DESCRIPTION	DESIGNATION	BENENNING	NOTE
------	--------	------	---------------	-------------	-------------	-----------	------

77	2010282	1	PARAOLIO	OIL SEAL	ANNEAU D'ETANCHITE	OELABDICHTUNG	40X52X10
78	EU2300045A	1	FIANCATA DESTRA	R.H. SIDE FRAME	FLANC DU CHASSIS GAUCHE	SEITENWANDS RECHTS	
79	2760157	2	VITE	SCREW	VIS	SCHRAUBE	M 14X1.5X60
80	EU2000040A	1	SLITTA DESTRA	R.H. SKID	PATIN DROITE	RECHTSKUFE	
81	90811003	1	INGRASSATORE	GREASE NIPPLE	GRAISSEUR	FETTERSPRITZE	M10X1
82	EU2000030A	1	COPERCHIO ROTORE	ROTOR COVER	COUVERCLE ROTOR	ROTOR DECKEL	
84	2760159	***	VITE	SCREW	VIS	SCHRAUBE	M14X1.5X40XF.P.
85	252065DX	*	ZAPPETTA A VIRGOLA DX	R.H. SPEED BLADE	LAME HELICOIDALE DROITE	RECHTES BOGENMESSER	N° 2 PER FLANGIA
86	252065SX	*	ZAPPETTA A VIRGOLA SX	L.H. SPEED BLADE	LAME HELICOIDALE GAUCHE	LINKES BOGENMESSER	N° 2 PER FLANGIA
87	EU1400080A	*	ZAPPETTA ANGOLARE SX	L.H. ANGULAR BLADE	LAME EQUERRE GAUCHE	LINKES WINKELMESSER	N° 2 PER FLANGIA
88	EU1400079A	*	ZAPPETTA ANGOLARE DX	R.H. ANGULAR BLADE	LAME EQUERRE DROITE	RECHTES WINKELMESSER	N° 2 PER FLANGIA
89	2020690	1	SEEGER	CIRCLIP	ARRETOIR	SEEGERRING	Ø1.90
90	EU2000029A	1	COPERCHIO PARAOLIO	OIL SEAL COVER	COUVERCLE ANNEAU	OELABDICHTUNGSGEHAUSE	
91	220679	1	SEEGER	CIRCLIP	ARRETOIR	SEEGERRING	Ø E.35
94	EU1400048A	1	PROTEZIONE P.T.O	P.T.O PROTECTION	PROTECTION P.T.O	TRIEBWELLE SCHUTZ	
95	2760133	1	VITE	SCREW	VIS	SCHRAUBE	M10X35 BRUN.
96	2760192	1	VITE	SCREW	VIS	SCHRAUBE	M12X30 BRUN.

*** N°8 per flangia

RTA 100 / 130 / 150 / 180
RTA 40 / 52 / 60 / 72

RTA - 2



RIF.	CODICE	Q.tà	DENOMINAZIONE	DESCRIPTION	DESIGNATION	BENENNING	NOTE
1	2760130	13	VITE	SCREW	VIS	SCHRAUBE	M10X25
2	2600123	23	RONDELLA GROWER	WASHER	RONDELLE	FEDERRING	Ø10
3	EU1400032A	1	COPERCHIO	FRONT COVER	COUVERCLE ANTERIEUR	DECKEL	
4	2010280	1	PARAOILIO	OIL SEAL	ANNEAU D'ETANCHITE	OELABDICHTUNG	35X56X10
5	2120209	1	CUSCINETTO	BEARING	ROULEMENT	LAGER	6207
6	G1380135	1	TAPPO SFIATO	PLUG	BOUCHON	SCHRAUBENVERSCHLUSS	1/2"
7	EU1400021A	1	SCATOLA	GEARBOX	BOITE	GEHAUSE	
8	2120215	1	CUSCINETTO	BEARING	ROULEMENT	LAGER	6307
9	220680	2	SEEGER	RETAINING RING	ARRETOIR	SEEGERRING	ØE.40
10	EU1400088A	1	DISTANZIALE	SPACER	ENTRETOISE	DISTANZRHOR	
11	EU1400059A	1	COPIA CONICA	BEVEL / PINION	COUPLE CONIQUE	KEGELRADGETRIEBE	
12	2120245A	1	CUSCINETTO	BEARING	ROULEMENT	LAGER	6308-2RS
13	EU1410005A	1	SUPPORTO ALBERO RTA 100	SHAFT SUPPORT RTA 100	SUPPORT ARBRE RTA 100	ANTRIEBSWELLE HALTERUNG	
13	EU1413005A	1	SUPPORTO ALBERO RTA 130	SHAFT SUPPORT RTA 130	SUPPORT ARBRE RTA 130	ANTRIEBSWELLE HALTERUNG	
13	EU1415005A	1	SUPPORTO ALBERO RTA 150	SHAFT SUPPORT RTA 150	SUPPORT ARBRE RTA 150	ANTRIEBSWELLE HALTERUNG	
13	EU1418005A	1	SUPPORTO ALBERO RTA 180	SHAFT SUPPORT RTA 180	SUPPORT ARBRE RTA 180	ANTRIEBSWELLE HALTERUNG	
14	2125126	8	DADO	NUT	ECROU	MUTTER	M10 A
15	EU1410006A	1	ALBERO RTA 100	SHAFT RTA 100	ARBRE RTA 100	ANTRIEBSWELLE RTA 100	
15	EU1413006A	1	ALBERO RTA 130	SHAFT RTA 130	ARBRE RTA 130	ANTRIEBSWELLE RTA 130	
15	EU1415006A	1	ALBERO RTA 150	SHAFT RTA 150	ARBRE RTA 150	ANTRIEBSWELLE RTA 150	
15	EU1418006A	1	ALBERO RTA 180	SHAFT RTA 180	ARBRE RTA 180	ANTRIEBSWELLE RTA 150	
16	2120244	1	CUSCINETTO	BEARING	ROULEMENT	LAGER	6308 1Z
17	2760131	6	VITE	SCREW	VIS	SCHRAUBE	M10X30
18	92111807	1	TAPPO LIVELLO OLIO	OIL LEVEL PLUG	BOUCHON NIVEAU HUILE	STANDPFROPFEN	
19	2760129	4	VITE	SCREW	VIS	SCHRAUBE	M10X20
20	2760133	1	VITE	SCREW	VIS	SCHRAUBE	M10X35
21	EU1410007A	1	SUPPORTO RIDUTTORE RTA 100	GEARBOX HOLDER	SUPPORT BOITE	GEHAUSENSTUETZE	
21	EU1413007A	1	SUPPORTO RIDUTTORE RTA 130	GEARBOX HOLDER	SUPPORT BOITE	GEHAUSENSTUETZE	
21	EU1415007A	1	SUPPORTO RIDUTTORE RTA 150	GEARBOX HOLDER	SUPPORT BOITE	GEHAUSENSTUETZE	
21	EU1418007A	1	SUPPORTO RIDUTTORE RTA 180	GEARBOX HOLDER	SUPPORT BOITE	GEHAUSENSTUETZE	