

## REPAIR PARTS CATALOG

# **Brillion**

**5 FOOT SURE STAND**  
GRASS SEEDER

MODELS: SSP604 (STRAIGHT ROLLER BEARINGS)  
SSPT604 (TAPERED ROLLER BEARINGS)

### IMPORTANT!

Repairs cannot be purchased  
retail direct from factory.  
Order through your Brillion dealer.

BRILLION IRON WORKS, INC.  
BRILLION, WISCONSIN 54110

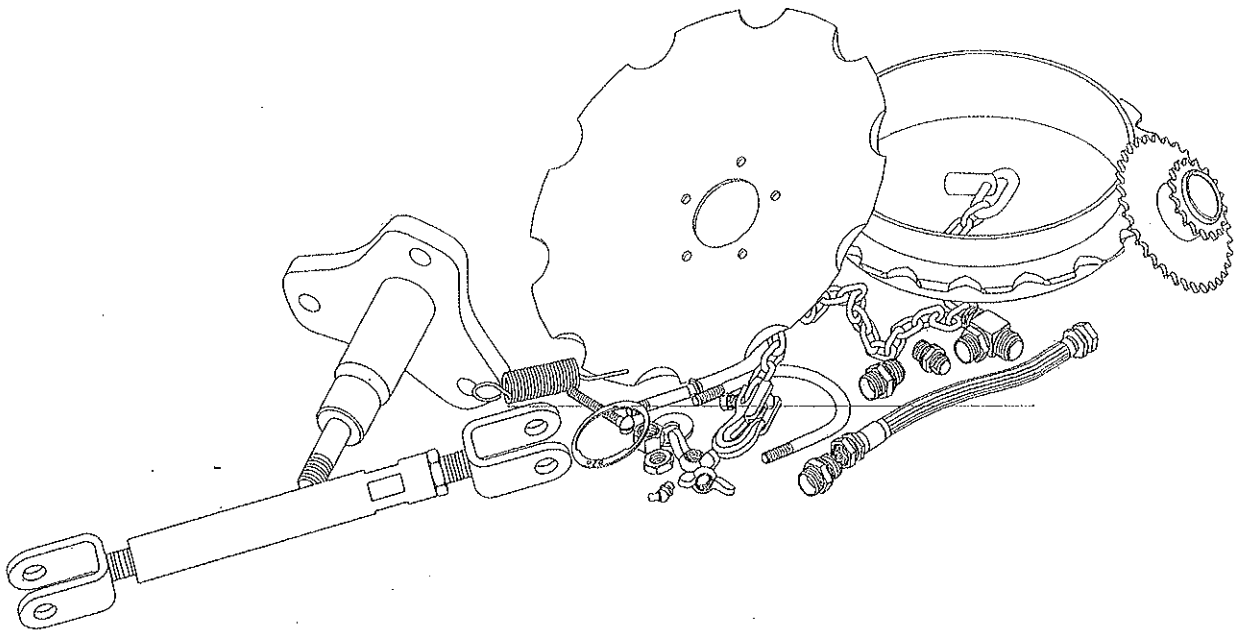
490rev10-11-05

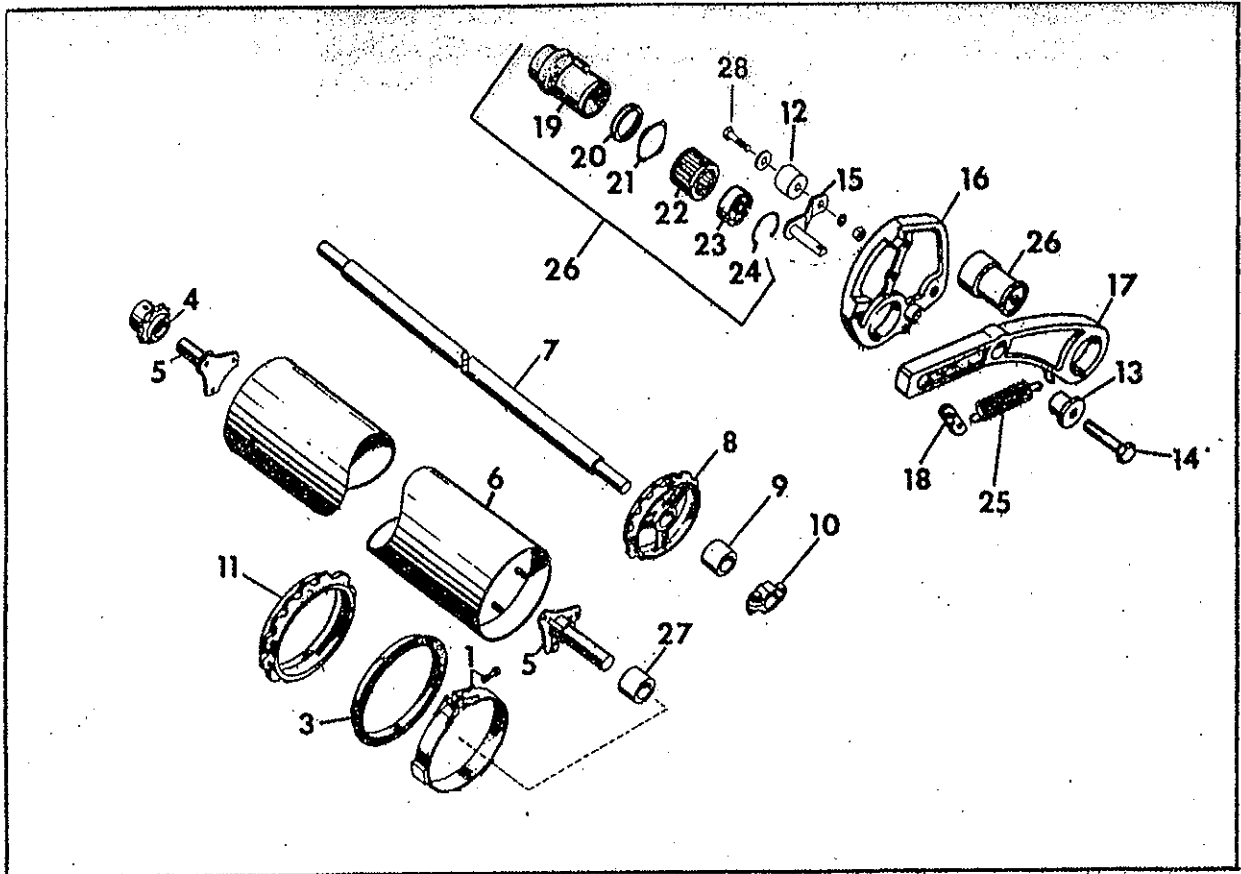
3J077

# REPAIR PARTS

## CONTENTS

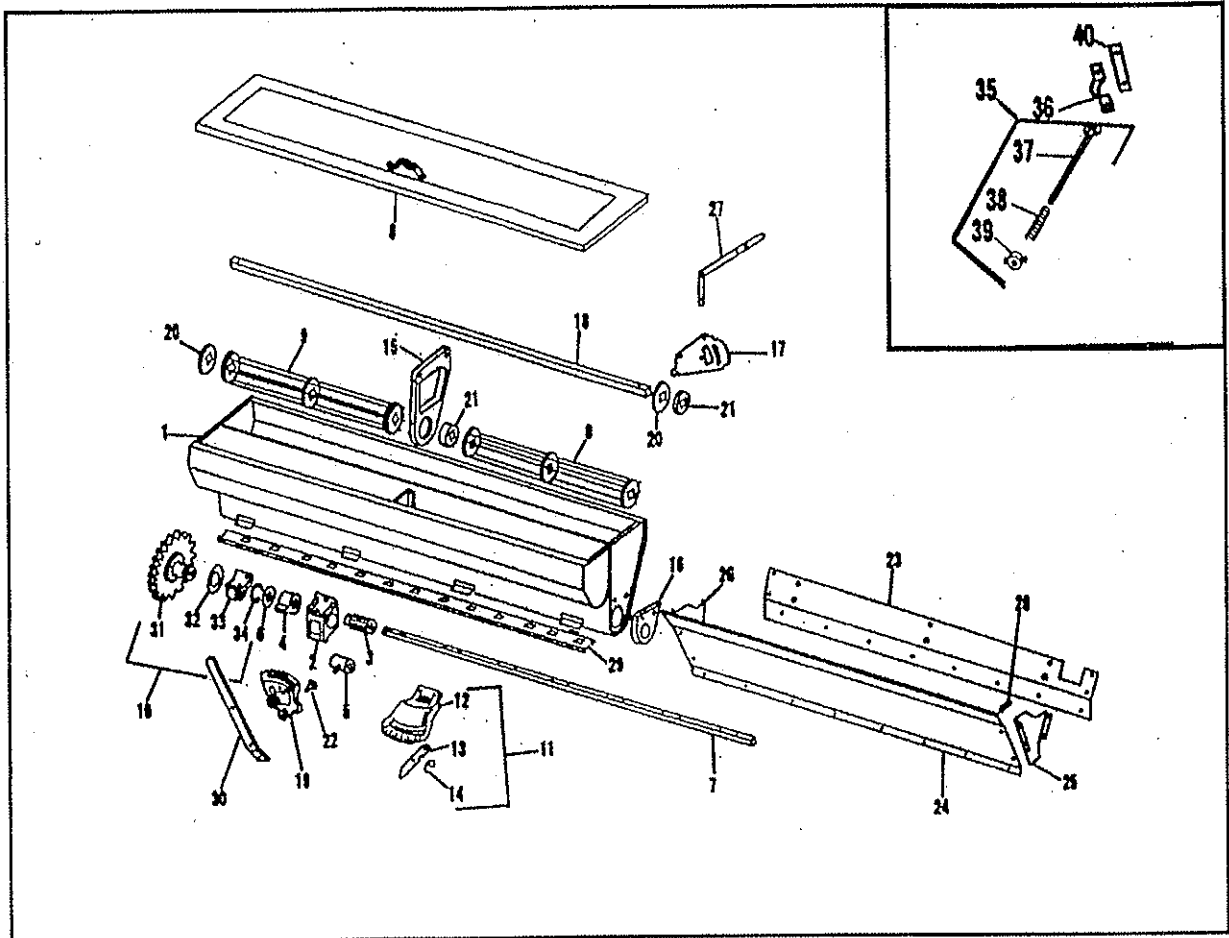
Axle Bracket Assemblies .....	2
Seed Box Assembly .....	3
Frame Assembly .....	4
Box Drive .....	5A, 5B
Tapered Roller Bearing Kit .....	6
Safety Decals .....	7





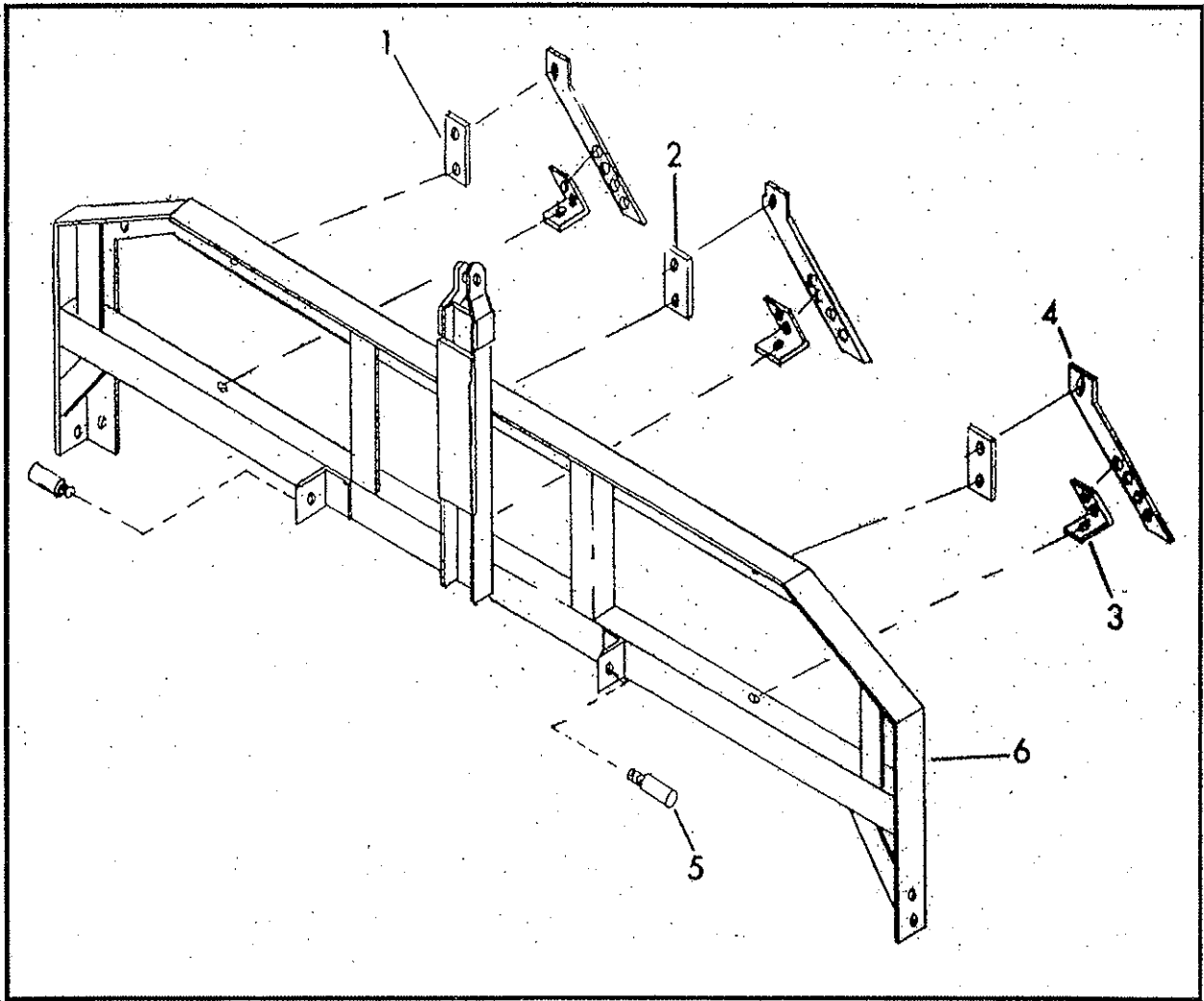
Axle and Bracket Assemblies

Index No.	Part No.	Description	Weight	Index No.	Part No.	Description	Weight
1	2C-801	Clamp Assembly (Front)	2.8	12	2K-957	Idler	.7
		-(includes bolt and nut)	2.5	13	1C-903	Bushing	1.0
	4C-144	Capscrew, 1/2-13 NC x 2-1/4" Lg.		14	1C-904	Arm Bolt, 3/4-10 NC x 4" Lg.	.6
		Socket Hd.			2C-458	Flat Washer, 3/4 SAE	
3	2C-112	Locknut, 1/2-13 NC Heavy Elastic	5.8		1C-379	Slotted Nut, 3/4-10 NC Hex	
4	2C-524	End Wheel (Front)	2.5		1C-205	Cotter Pin, 5/32 x 1-1/2" Lg.	
	1C-927	Drive Sprocket		15	3K-703	Idler Arm	1.5
5	3C-947	Setscrew, 1/2-13 NC x 3/4" Lg.	.13.0	16	3C-466	L.H. End Bracket	19.0
	1C-908	Stub Shaft	102.0	*	3C-468	R.H. End Bracket	19.0
				17	1C-902	Arm	14.7
	1C-392	Nut, 5/8-11 NC Hex		18	3C-446	Spring Arm	.3
	1B-166	Lockwasher, 5/8 Std.		19	2C-668	Bearing Box	4.9
6	5C-330	Pipe and End Plate Assembly	76.0	20	3C-037	Felt Washer	
		without Stub Shaft		21	2C-683	Flat Locking Washer	
7	5C-297	Rear Axle	39.0	22	1C-087	Roller Bearing Assembly	1.0
8	5C-284	Rear Wheel	9.0	23	3C-036	Bearing Cap Assembly	.5
9	3C-789	Spacer (Two Used on SSP-604)	1.6			Gasket	
10	4C145	Axle Clamp	1.5	24	2C-818	Snap Ring	
	1C-322	Capscrew, 7/16-14 NC x 3" Lg.		25	2C-194	Spring	.6
	1C-314	Lockwasher, 7/16 Std.		26	2C-575	Bearing Assembly	5.2
	1C-179	Nut, 7/16-14 NC Hex		27	5C-319	Spacer (One used on SSP-604)	1.5
11	4C-689	Sand Wheel	8.4		4C-017	L.H. Chain Guard Assembly	
				28	1C681	Capscrew, 1/2 x 2 3/4	



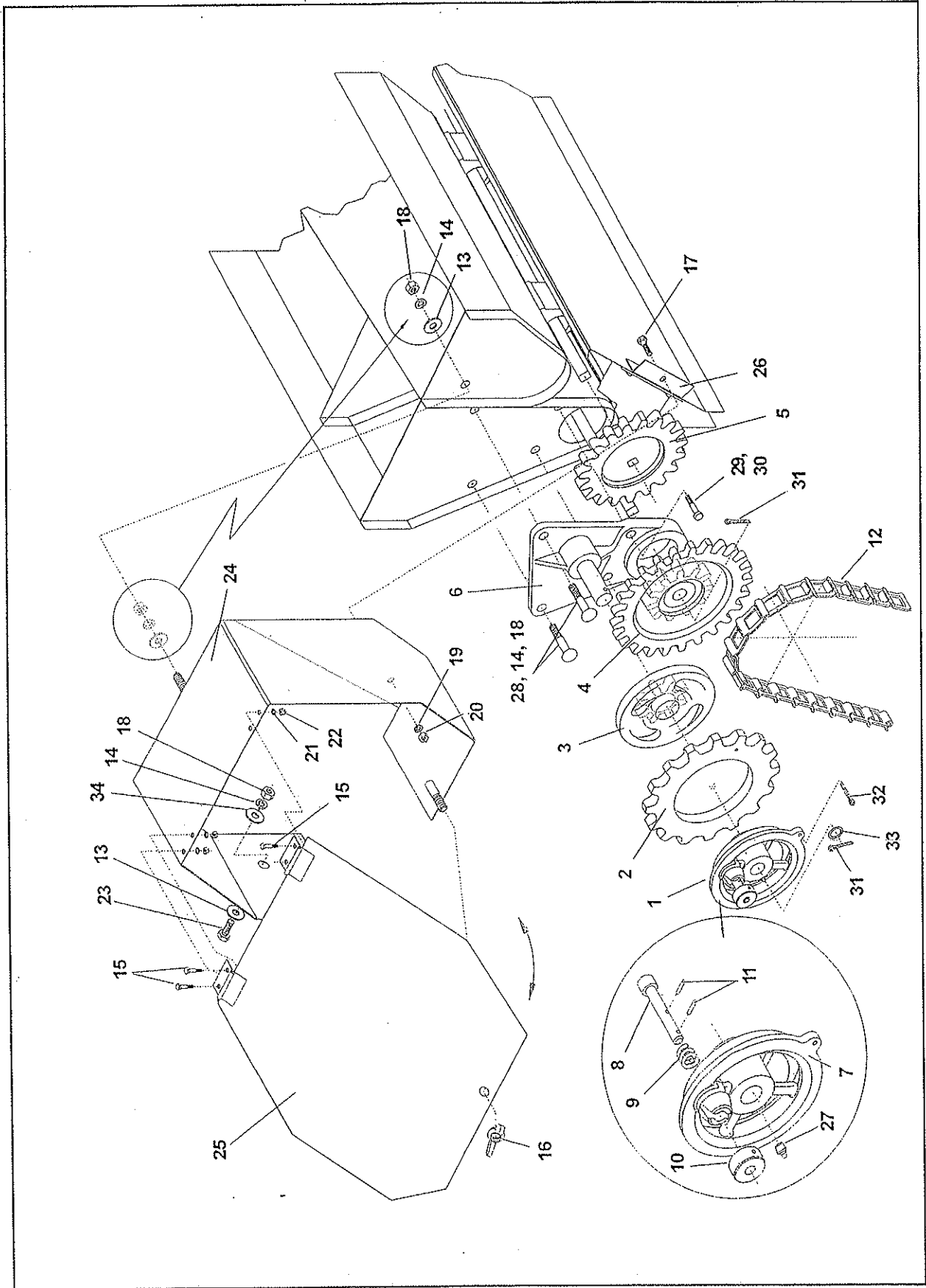
Seedbox Assembly

Index No.	Part No.	Description	Weight	Index No.	Part No.	Description	Weight
1	6D-749 8D-485	Seedbox Assembly, without cover Fabricated Seedbox (Includes box, cover, slide and Pivot lock assembly)	72.0 44.0	21	2C-808	Bushing	
2	4C-589	Seedmeter	.75	21	1C-820	Cotter Pin, 3/16 x 1" Lg.	
3	1C-242	Fluted Feedroll	.2	22	4C-665	Shift Plate Pivot Rivet	
4	1C-243	Feed Cutoff	.3	23	3C-350	Cotter Pin, 5/32 x 1" Lg.	
5	1C-252	Shift Spool	.5	23	5C-307	Front Deflector	3.2
6	1C-245	Cutoff Washer		24	5C-308	Rear Deflector	5.7
7	5C-302	Seedmeter Shaft	9.6	25	4C-662	R.H. End Shield	.2
	1C-272	Shaft Pin, 1/8 Dia. x 3/4 Lg.		26	4C-661	L.H. End Shield	.2
	4C-750	Machine Screw, 1/4-20 NC x 3/4 Lg. Rd. Hd.			1C-356	Capscrew, 1/4-20 NC x 1/2 Lg.	
	1C-354	Lockwasher 1/4 Std.		27	5C-320	Shift Handle Assembly	1.3
	1C-355	Nut, 1/4-20 NC Hex		28	1C-889	Spacer	
8	7D-945	Box Cover	12.5		1C-888	Spacer Bolt #10-24 NC x 1-1/4 Lg. Rd. Hd.	
9	5C-195	Agitator Cage	1.8		1C-372	Lockwasher, #10 Std.	
10	4C-713	Bearing & Gear Assembly	2.8		1C-386	Nut, #10-24 NC Hex	
11	4C-666	Indicator Assembly	1.5	29	5C-333	Slide Assembly	2.5
12	4C-673	Indicator Plate	1.1	30	4C-664	Rear Box Shift Handle	.5
13	4C-208	Indicator Arm			1C-606	Handle Lock Bolt 3/8-16 NC x 1" Lg. Sq. Hd.	
14	4C-157	Arm Spring			1C-182	Flat Washer, 3/8 Std.	
	1C-357	Lock Plate Bolt 1/4-20 NC x 3/4 Lg			1C-217	Wing Nut, 3/8-16 NC	
	1C-354	Lockwasher, 1/4 Std			1C-358	Machine Screw 3/8-16 NC x 1" Lg.	
	1C-355	Nut, 1/4-20 NC Hex			1C-183	Lockwasher, 3/8 Std.	
15	1C-339	Intermediate Bearing	3.7		1C-277	Nut, 3/8-16 NC Hex	
16	4C-579	Box End Bearing	1.3	31	4C-714	Seedmeter Gear	2.0
17	5C-323	Shift Plate	1.9	32	3C-403	Washer	
	1C-237	Capscrew, 5/16-18 NC x 3/4 Lg		33	4C-715	Gear Bearing	6
	1C-361	Capscrew, 5/16-18 NC x 1" Lg		34	3C-405	Snap Ring	
	1C-362	Lockwasher, 5/16 Std		35	1C-199	Pivot Lock Assembly	
18	5C-303	Agitator Shaft	6.7	36	7D-938	Cover Lock Clip	
19	4C-578	Rear Box Shift Plate	1.8	37	1C-192	Stem	
20	2C-809	Washer		38	1C-212	Spring	
				39	1C-193	Pivot	
				40	7D-937	Wear Strip	
					1C-213	Bolt, #10-24 NC x 1/2 Lg. Rd. Hd	



## FRAME ASSEMBLY

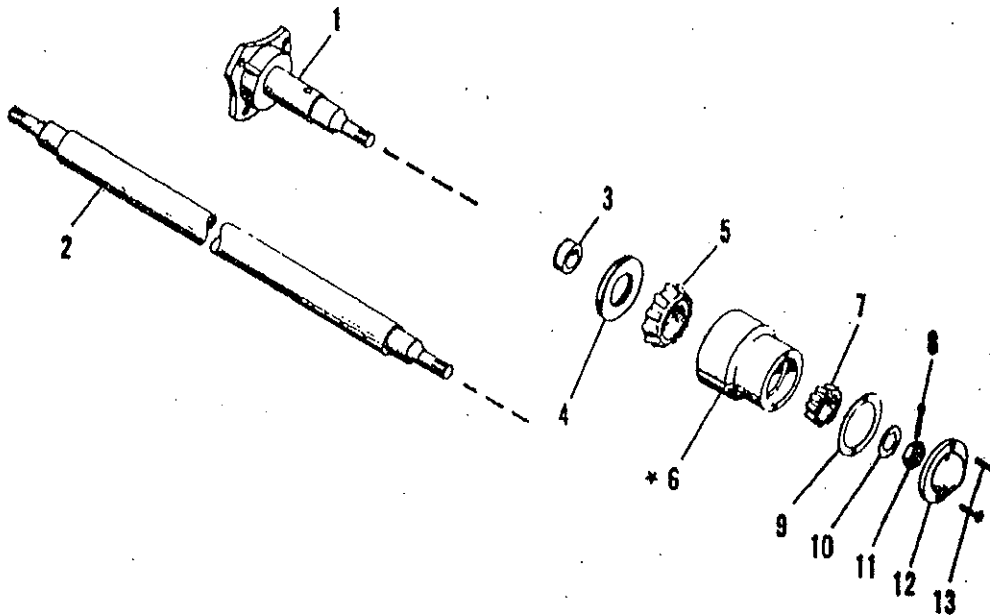
Index No.	Part No.	Description	Weight
1	5C-287	Support Bracket	.5
2	5C-300	Center Support Bracket	.5
3	5C-288	Bracket Brace	1.0
4	6D-977	Box & Deflector Mounting Bracket	1.3
		Center Mounting Bracket	1.3
5	2C-17	Hitch Pin	.5
	1B-166	Lockwasher, 5/8" Std.	
	1C-392	Nut, 5/8-11 NC	
6	3J-8	Frame Assembly	75.6



BOX DRIVE			
Index No.	Part No.	Description	Weight
1	5C282	Clutch Plate Assembly	3.5
2	5C279	Sprocket Ring	2.3
3	5C280	Ratchet Gear	1.5
4	5C277	Brome Box Gear	3.3
5	4C714	Seedmeter Gear	2/0
6	5C283	Drive Casting Assembly	4.4
7	5C278	Clutch Plate	2.3
8	1C823	Stop Pin	2.3
9	1C826	Spring	-
10	1C824	Knob	-
11	1C272	Pin	-
12	5C312	Detachable Chain	1.3
13	1C182	Washer, 3/8" Std.	.01
14	1C183	Lockwasher, 3/8" Std.	-
15	1C213	Machine Screw, 10-24 x 1/2" Long, Round Head	-
16	1C217	Wing Nut, 3/8-16 Std.	-
17	1C229	Capscrew, 1/4-20NC x 3/4" Long, Hex	.02
18	1C277	Nut, 3/8-16NC	.01
19	1C354	Lockwasher, 1/4" Std.	-
20	1C355	Nut, 1/4-20NC Hex	-
21	1C372	Lockwasher, #10	-
22	1C386	Nut, #10-24 NC Hex	-
23	4C803	Capscrew, 3/8-16NC x 1"	.05
24	5K985	Guard, 5' Seeder	3.0
25	5K986	Cover (for guard) 5' Seeder	1.9
26	5K987	Formed Angle	.1
27	3C142	Grease Zerk, Alemite #1743	.1
28	1C358	Bolt, 3/8-16NC x 1" Round Head	.02
29	1C237	Bolt, 5/16-18NC x 3/4" Hex	.01
30	1C362	5/16" Lockwasher	-
31	1C820	Cotter Pin	-
32	1C205	Cotter Pin	-
33	2C458	Flat Washer	-
34	6K377	Fender Washer, 3/8"	-

TAPERED ROLLER BEARING KIT FOR

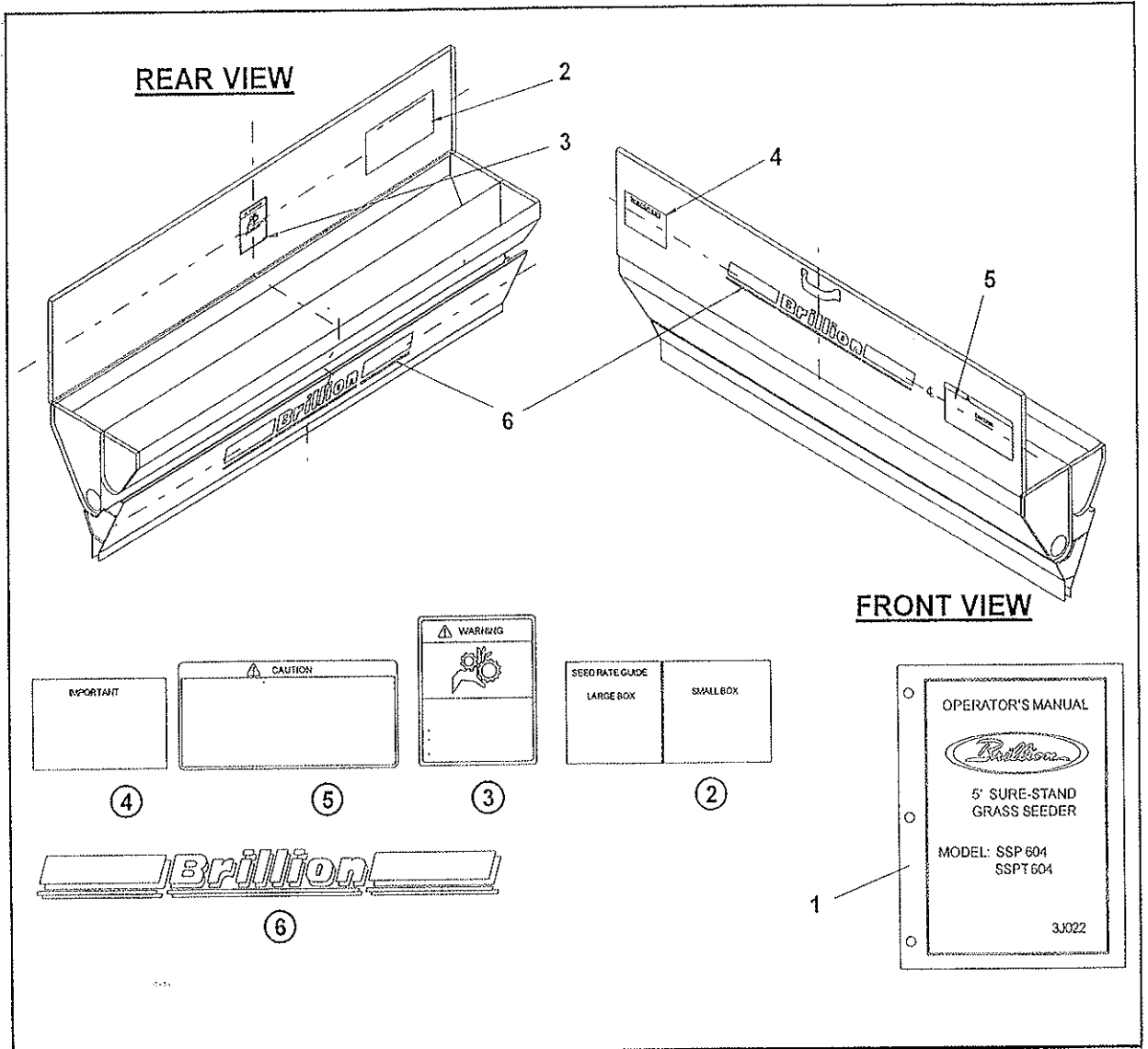
SSP-60 & SSD-60 SEEDERS



Index No.	Part No.	Description	Weight
1	8C-358	Stub Shaft	12.0
2	8C-344	Rear Axle	53.0
3	8C-361	Sleeve (Used with 8C-358 Stub Shaft)	.5
4	8C-351	Seal (Trostel #WW228-140-06)	.2
5	5C-913	Bearing Cone (Timken #LM67048)	.5
6	8C-341	Housing Assembly (Includes Brg. Cups)	3.6
*	8C-334	Housing (Less Bearing Cups)	3.0
*	5C-914	Bearing Cup (Large) Timken #LM67010	.3
*	5C-912	Bearing Cup (Small) Timken #LM11910	.3
7	5C-911	Bearing Cone (Timken #LM11949)	.4
8	3C-350	Cotter Pin 5/32 Dia. x 1" Lg.	
9	4C-132	Gasket	
10	5C-907	Washer, 5/8 SAE Flat	.1
11	5C-909	Slotted Nut, 5/8-18 NF Hex	.2
12	4C-131	Cap	.6
13	1C-356	Screw, 1/4-20 NC x 1/2" Lg.-	
	1C-354	Lockwasher, 1/4 Std.	

2D-902





DECALS & LOCATIONS

Index No.	Part No.	Description	No. Req'd.	Weight
1	3J022	Operator's Manual	1	-
2	4C920	Decal, Seed Rate Guide	1	---
3	2K123	Decal, Moving Parts Warning	1	---
4	5D505	Decal, Important	1	---
5	8J309	Decal, "Caution"	1	---
6	4K193	Decal, "Brillion"	2	---