

AGRICULTURAL MACHINERY

sitrex®

**OPERATOR'S MANUAL
SPARE PARTS LIST**

RP/4-RP/5-RP/6-RP/8-RP/10-RP/12

RP/4 RAKE
RP/8 V-RAKE

TABLE NO 920.255

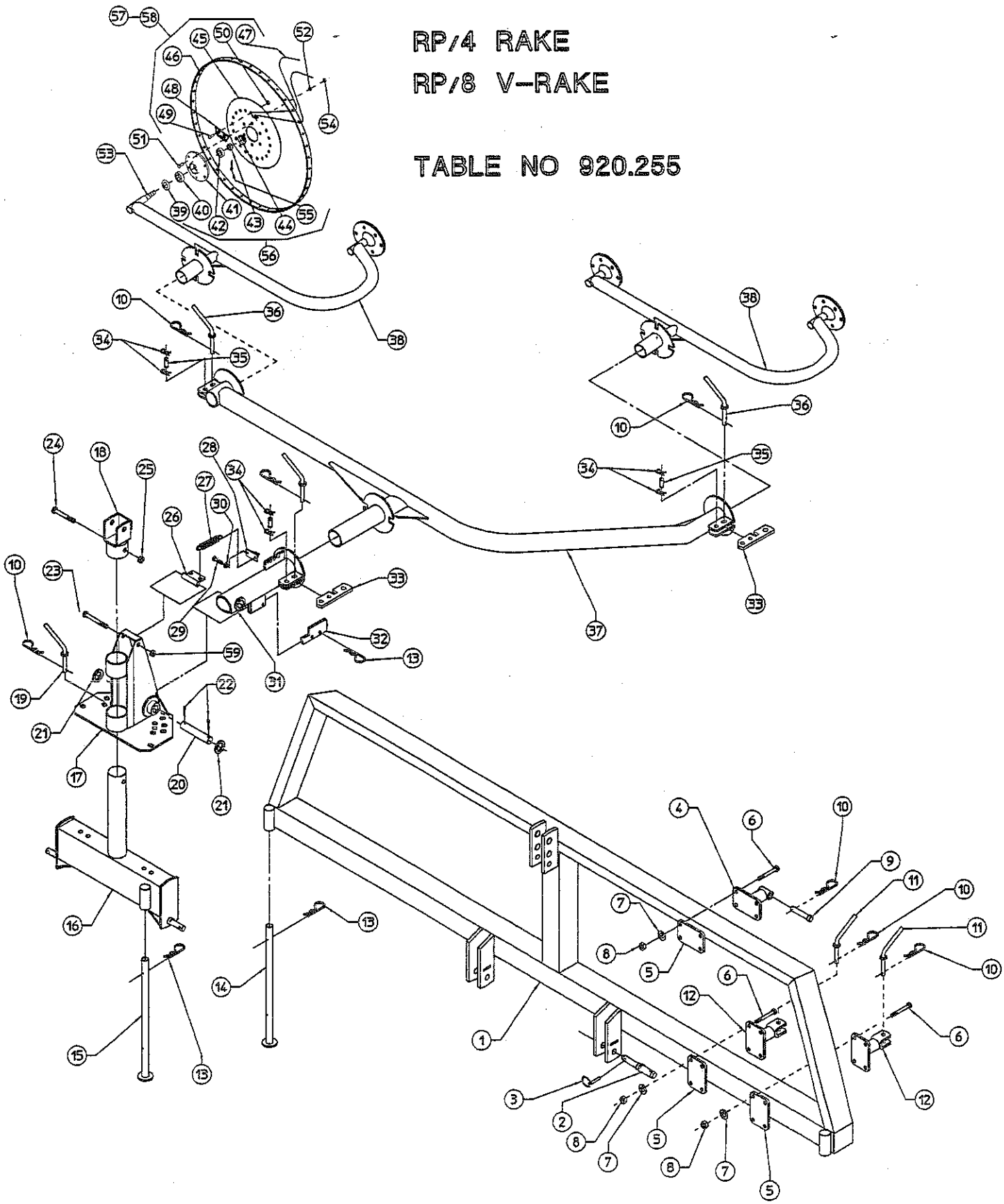


TABLE PART NO 920.255

ITEM	Q.ty	PART NO	DESCRIPTION	NOTE
1	1	200.055	RP/8 FRAME	
2	2	200.047	PIN	
3	2	600.017	SPLIT PIN	
4	2	200.056	UPPER LINKAGE	
5	6	200.057	COUNTERPLATE	
6	24	600.001	SCREW M12x140	
7	24	600.018	SPRING WASHER	
8	24	600.008	NUT	
9	2	200.058	3RD POINT HITCH	
10	10	600.019	SPLIT PIN	
11	4	200.059	PIN	
12	4	200.060	LOWER LINKAGE	
13	4	600.020	SPLIT PIN	
14	2	200.061	PARKING STAND, FRAME	
15	1(2)	200.062	PARKING STAND, BASE	
16	1(2)	210.369	BASE	
17	1(2)	200.064	SUPPORT	
18	1(2)	200.065	CAP	
19	1(2)	200.035	PIN	
20	1(2)	200.067	PIN	
21	2(4)	600.021	WASHER	
22	2(4)	600.022	SPLIT PIN	
23	1(2)	610.018	SCREW M14x120	
24	1(2)	600.003	SCREW M14x100	
25	1(2)	600.051	NUT	
26	1(2)	200.068	UPPER LINKAGE, SPRING	
27	2(4)	200.069	SPRING	
28	1(2)	200.070	UPPER LINKAGE, SPRING	
29	1(2)	600.004	SCREW M12x30	
30	1(2)	600.052	NUT	
31	1(2)	200.071	SWINGING PIPE	
32	1(2)	200.072	LOCK DEVICE	
33	3(6)	200.073	LEVER	
34	6(12)	600.023	SNAP RING	
35	3(6)	200.074	PIN	
36	3(6)	200.075	PIN	
37	1(2)	210.199	RP/5 MAIN PIPE	
38	2(4)	200.077	WHEEL ARM, RH	
38a	2(4)	200.078	WHEEL ARM, LH	
39	4(8)	600.011	DUST COVER	
40	4(8)	600.012	BEARING	
41	4(8)	600.013	WHEEL HUB	
42	4(8)	600.014	BEARING	
43	4(8)	600.015	SELF LOCKING NUT	
44	4(8)	600.016	SAFETY CAP	
45	4(8)	200.010	FLANGE	
46	4(8)	200.009	RIM	
47	160/320	210.620	TINE DIA. 0.256" (6.5mm)	RP/4 - RP/8 V
47	160/320	210.621	TINE DIA. 0.276" (7mm)	RP/4 - RP/8 V
48	40(80)	200.012	TINE CLAMP	
49	80(160)	600.005	SCREW	
50	80(160)	600.029	NUT	
51	24(48)	600.006	SCREW M10x25	
52	24(48)	600.024	SPRING WASHER	
53	4(8)	205.277	PIN	
54	24(48)	600.010	NUT	
55	4(8)	600.601	SPLIT PIN	
56	4(8)	205.041	HUB ASSY	
57	4	210.180	WHEEL ASSY, RH	TINE DIA. 0.276" (7mm)
57a	4	210.181	WHEEL ASSY, LH	TINE DIA. 0.276" (7mm)
58	4	210.182	WHEEL ASSY, RH	TINE DIA. 0.256" (6.5mm)
58a	4	210.183	WHEEL ASSY, LH	TINE DIA. 0.256" (6.5mm)
59	1(2)	600.075	NUT	

RP/5 RAKE
RP/10 V-RAKE

TABLE NO 920.254

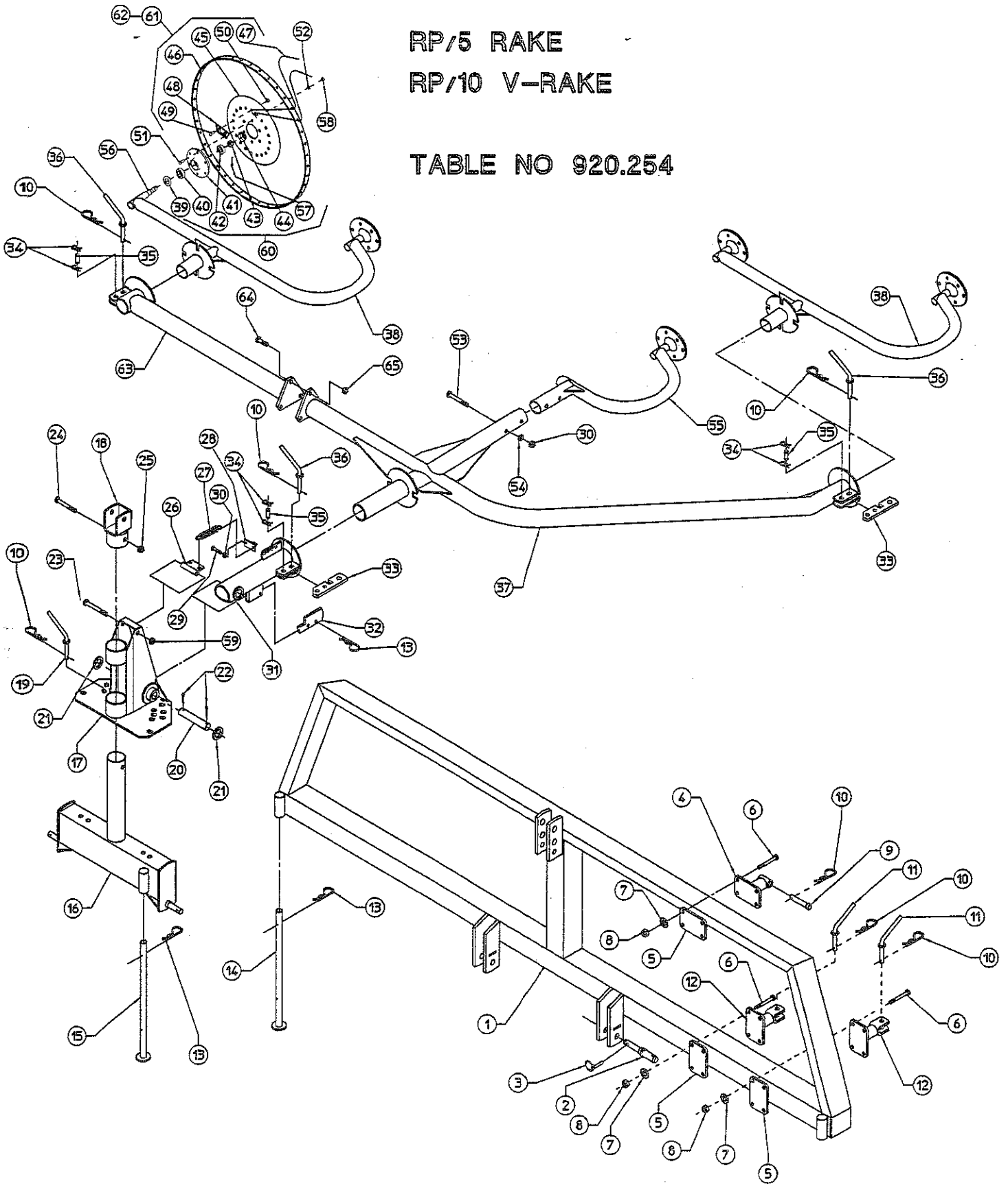


TABLE PART NO 920.254

ITEM	Q.ty	PART NO	DESCRIPTION	NOTE
1	1	200.081	RP/10 FRAME	
2	2	200.047	PIN	
3	2	600.017	SPLIT PIN	
4	2	200.056	UPPER LINKAGE	
5	6	200.057	COUNTERPLATE	
6	24	600.001	SCREW M12x140	
7	24	600.018	SPRING WASHER	
8	24	600.008	NUT	
9	2	200.058	3RD POINT HITCH	
10	10	600.019	SPLIT PIN	
11	4	200.059	PIN	
12	4	200.060	LOWER LINKAGE	
13	4	600.020	SPLIT PIN	
14	2	200.061	PARKING STAND, FRAME	
15	1(2)	200.062	PARKING STAND, BASE	
16	1(2)	210.369	BASE	
17	1(2)	200.064	SUPPORT	
18	1(2)	200.065	CAP	
19	1(2)	200.035	PIN	
20	1(2)	200.067	PIN	
21	2(4)	600.021	WASHER	
22	2(4)	600.022	SPLIT PIN	
23	1(2)	610.018	SCREW M14x120	
24	1(2)	600.003	SCREW M14x100	
25	1(2)	600.051	NUT	
26	1(2)	200.068	UPPER LINKAGE, SPRING	
27	2(4)	200.069	SPRING	
28	1(2)	200.070	UPPER LINKAGE, SPRING	
29	1(2)	600.004	SCREW M12x30	
30	3(6)	600.052	NUT	
31	1(2)	200.071	SWINGING PIPE	
32	1(2)	200.072	LOCK DEVICE	
33	3(6)	200.073	LEVER	
34	6(12)	600.023	SNAP RING	
35	3(6)	200.074	PIN	
36	3(6)	200.075	PIN	
37	1(2)	210.199	RP/5 MAIN PIPE	
38	2(4)	200.077	WHEEL ARM, RH	
38a	2(4)	200.078	WHEEL ARM, LH	
39	5(10)	600.011	DUST COVER	
40	5(10)	600.012	BEARING	
41	5(10)	600.013	WHEEL HUB	
42	5(10)	600.014	BEARING	
43	5(10)	600.015	SELF LOCKING NUT	
44	5(10)	600.016	SAFETY CAP	
45	5(10)	200.010	FLANGE	
46	5(10)	200.009	RIM	
47	200/400	210.620	TINE DIA. 0.256" (6.5mm)	RP/5 - RP/10 V
47	200/400	210.621	TINE DIA. 0.276" (7mm)	RP/5 - RP/10 V
48	50(100)	200.012	TINE CLAMP	
49	100(200)	600.005	SCREW	
50	100(200)	600.029	NUT	
51	30(60)	600.006	SCREW M10x25	
52	30(60)	600.024	SPRING WASHER	
53	2(4)	600.007	SCREW M12x85	
54	2(4)	600.018	SPRING WASHER	
55	1	200.079	ARM, RH	
55a	1	200.080	ARM, LH	
56	5(10)	205.277	PIN	
57	5(10)	600.301	SPLIT PIN	
58	30(60)	600.010	NUT	
59	4(8)	600.075	NUT	
60	5(10)	205.041	HUB ASSY	
61	5	210.180	WHEEL ASSY, RH	TINE DIA. 0.276" (7mm)
61	5	210.181	WHEEL ASSY, LH	TINE DIA. 0.276" (7mm)
62	5	210.182	WHEEL ASSY, RH	TINE DIA. 0.256" (6.5mm)
62	5	210.183	WHEEL ASSY, LH	TINE DIA. 0.256" (6.5mm)
63	1(2)	210.198	RP/5 PIPE	
64	3(6)	600.310	SCREW M14x40	

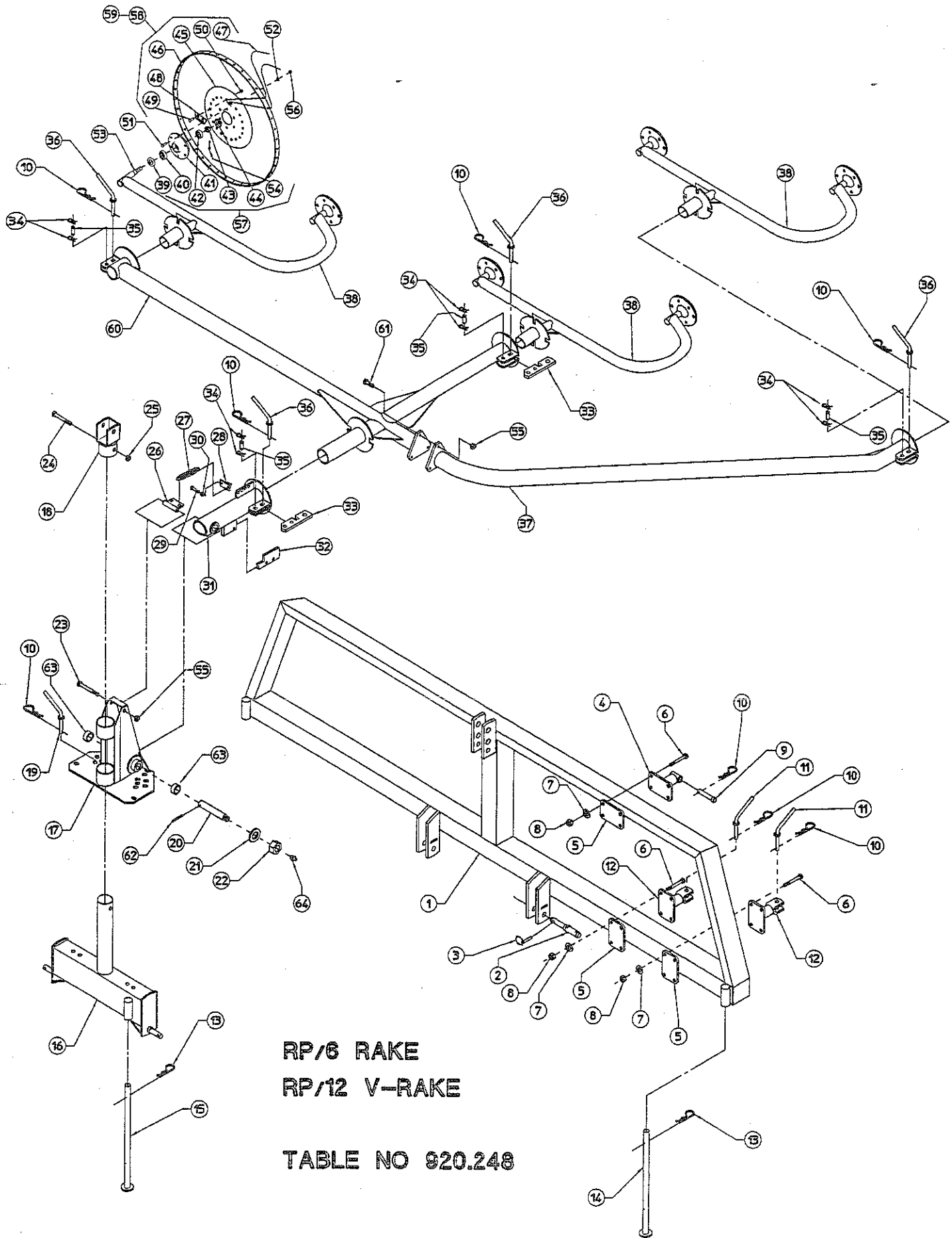
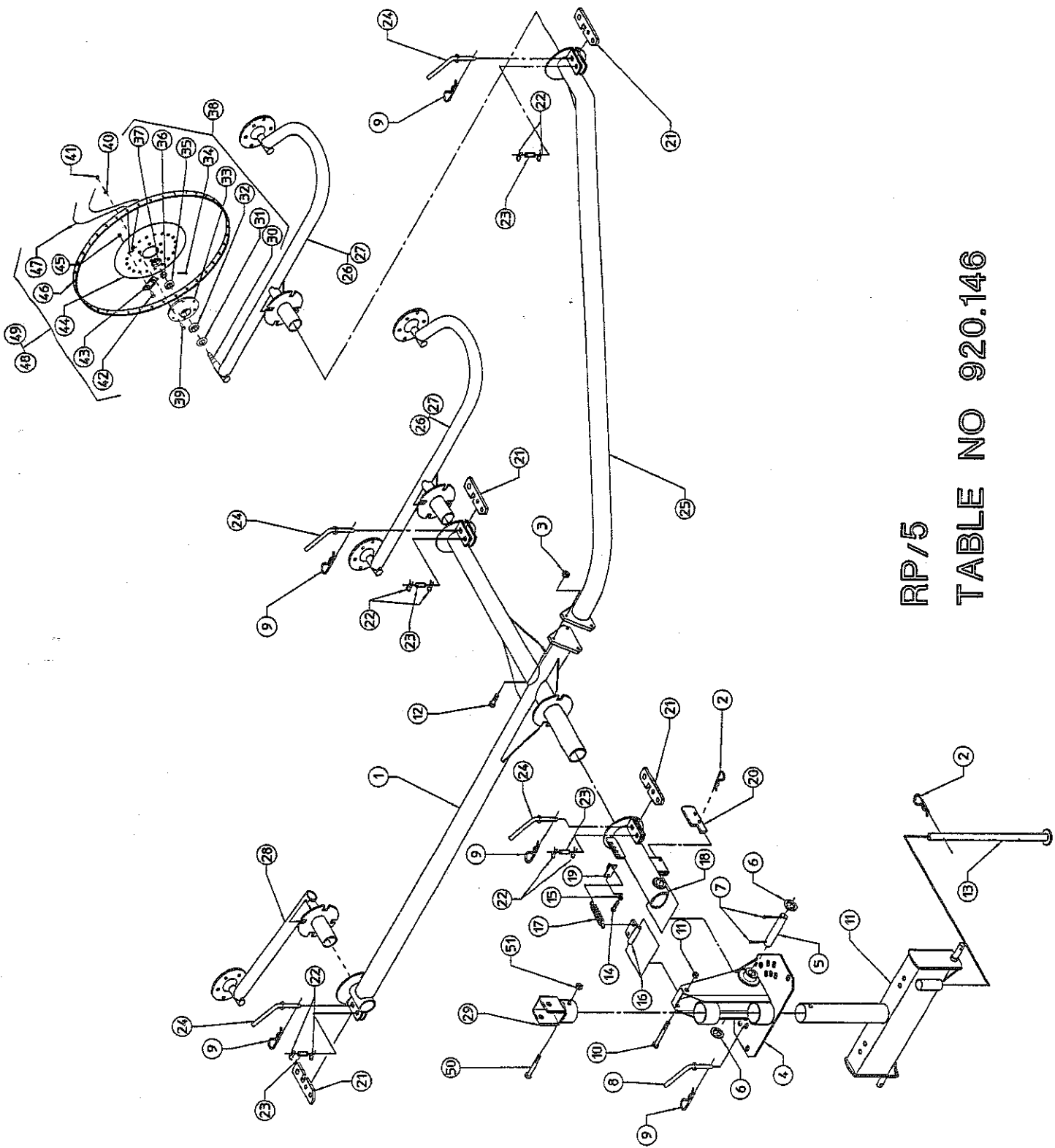


TABLE PART NO 920.248

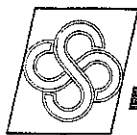
ITEM	Q.ty	PART NO	DESCRIPTION	NOTE
1	1	200.081	FRAME	
2	2	200.047	PIN	
3	2	600.017	SPLIT PIN	
4	2	200.056	UPPER LINKAGE	
5	6	200.057	COUNTERPLATE	
6	24	600.001	SCREW M12x140	
7	24	600.018	SPRING WASHER ϕ 13 DIN 127B	
8	24	600.008	NUT M12	
9	2	200.058	PIN	
10	11	600.019	SPLIT PIN	
11	4	200.059	PIN	
12	4	200.060	LOWER LINKAGE	
13	4	600.020	SPLIT PIN	
14	2	200.061	PARKING STAND, FRAME	
15	1(2)	230.163	PARKING STAND, BASE	
16	1(2)	210.376	BASE	
17	1(2)	230.202	SUPPORT	
18	1(2)	200.094	CAP	
19	1(2)	200.035	PIN	
20	1(2)	230.203	PIN	
21	1(2)	600.245	WASHER ϕ 25	
22	1(2)	600.725	NUT M24	
23	1(2)	610.018	SCREW M14x120 DIN 931 8.8	
24	1(2)	600.003	SCREW M14x100 DIN 931 8.8	
25	1(2)	600.051	NUT M14	
26	1(2)	200.121	UPPER LINKAGE, SPRING	
27	2(4)	300.015	SPRING	
28	1(2)	200.122	UPPER LINKAGE, SPRING	
29	1(2)	600.004	SCREW M12x30 DIN 933 8.8	
30	1(2)	600.052	NUT M12 DIN 934	
31	1(2)	230.171	SWINGING PIPE	
32	1(2)	200.072	LOCK DEVICE	
33	4(8)	200.073	LEVER	
34	8(16)	600.023	SNAP RING E 15 DIN 471	
35	4(8)	200.074	PIN	
36	4(8)	200.075	PIN	
37	1(2)	210.612	MAIN PIPE	
38	3(6)	200.077	WHEEL ARM, RH	
38a	3(6)	200.078	WHEEL ARM, LH	
39	6(12)	600.011	DUST COVER	
40	6(12)	600.012	BEARING 30205	
41	6(12)	600.013	WHEEL HUB	
42	6(12)	600.014	BEARING 30204	
43	6(12)	600.015	NUT M18x1,5	
44	6(12)	600.016	SAFETY CAP	
45	6(12)	200.010	FLANGE	
46	6(12)	200.009	RIM	
47	240/480	210.620	TINE DIA. 0,256" (6.5mm)	
47	240/480	210.621	TINE DIA. 0,276" (7mm)	
48	60(120)	200.012	TINE CLAMP	
49	120(240)	600.005	SCREW M10 x 25 DIN 603 6.8	
50	120(240)	600.029	NUT M10 DIN 980	
51	60(120)	600.006	SCREW M10x25 DIN 933 8.8	
52	60(120)	600.024	SPRING WASHER ϕ 10,5 DIN 127B	
53	6(12)	205.277	PIN	
54	6(12)	600.301	SPLIT PIN	
55	4(8)	600.075	NUT M14 DIN 980	
56	60(120)	600.010	NUT M10 DIN 934	
57	6(12)	205.041	HUB ASSY	
58	3(6)	210.180	WHEEL ASSY, RH	TINE DIA. 0,276" (7mm)
58	3(6)	210.181	WHEEL ASSY, LH	TINE DIA. 0,276" (7mm)
59	3(6)	210.182	WHEEL ASSY, RH	TINE DIA. 0,256" (6.5mm)
59	3(6)	210.183	WHEEL ASSY, LH	TINE DIA. 0,256" (6.5mm)
60	1(2)	210.613	PIPE	
61	3(6)	600.310	SCREW M14x40 DIN 933 8.8	
62	1(2)	620.629	SPRING PIN ϕ 8x55	
63	4(8)	600.808	BUSH	
64	1(2)	600.034	GREASE NIPPLE M8	



RP/5
TABLE NO 920.146

TABLE PART NO 920.146

ITEM	Q.ty	PART NO	DESCRIPTION	NOTE
1	1	210.575	PIPE	
2	2	600.020	SPLIT PIN	
3	3	600.075	NUT M14 DIN 980	
4	1	200.064	SUPPORT	
5	1	200.067	PIN	
6	2	600.021	WASHER D23 DIN 125A	
7	2	600.022	SPLIT PIN	
8	1	200.222	PIN	
9	5	600.019	SPLIT PIN	
10	1	610.018	SCREW M14x120 DIN 931 8.8	
11	1	210.369	BASE	
12	3	600.310	SCREW M14x40 DIN 933 8.8	
13	1	200.062	PARKING STAND	
14	1	600.004	SCREW M12x30 DIN 933 8.8	
15	1	600.008	NUT M12 DIN 934-8	
16	1	200.068	UPPER LINKAGE, SPRING	
17	2	200.069	SPRING	
18	1	200.071	SWINGING PIPE	
19	1	200.070	LOWER LINKAGE, SPRING	
20	1	200.072	LOCK DEVICE	
21	4	200.073	LEVER	
22	8	600.023	SNAP RING E 15 DIN 471	
23	4	200.074	PIN	
24	4	200.075	PIN	
25	1	210.576	MAIN PIPE	
26	2	200.077	WHEEL ARM, RH	
27	2	200.078	WHEEL ARM, LH	
28	1	210.067	ARM	
29	1	200.065	CAP	
30	5	205.277	PIN	
31	5	600.011	DUST COVER	
32	5	600.012	BEARING 30205	
33	5	600.013	WHEEL HUB	
34	5	600.014	BEARING 30204	
35	5	600.015	SELF LOCKING NUT M18x1.5-6	
36	5	600.301	SPLIT PIN	
37	5	600.016	SAFETY CAP	
38	5	205.041	HUB ASSY	
39	30	600.006	SCREW M10x25 DIN 933 8.8	
40	30	600.024	SPRING WASHER D 10.5	
41	30	600.010	NUT M10 DIN 934-8	
42	100	600.005	SCREW	
43	50	200.012	TINE CLAMP	
44	5	200.010	FLANGE	
45	100	600.029	NUT M10 DIN 980	
46	5	200.009	RIM	
47	200	610.620	TINE DIA. 0,256" (6.5mm)	
47	200	610.621	TINE DIA. 0,276" (7mm)	
48	5	210.180	WHEEL ASSY ,RH	TINE DIA. 0,256" 7mm
48	5	210.181	WHEEL ASSY ,LH	TINE DIA. 0,276 6.5mm
49	5	210.182	WHEEL ASSY ,RH	TINE DIA. 0,256" 7mm
49	5	210.183	WHEEL ASSY ,LH	TINE DIA. 0,276 6.5mm
50	1	600.003	SCREW M14x100 DIN 931 8.8	
51	1	600.051	NUT M14 DIN 934	



AGRICULTURAL MACHINERY
sitrex[®]

Zona Industriale-Viale Grecia, 8
06018 TRESTINA-(Perugia)-ITALY
Tel. +39.075.8540021-Telefax +39.075.8540523
e-mail: sitrex@sitrex.it www.sitrex.com

