

Reservedeliste

Spare parts list

Ersatzteilliste

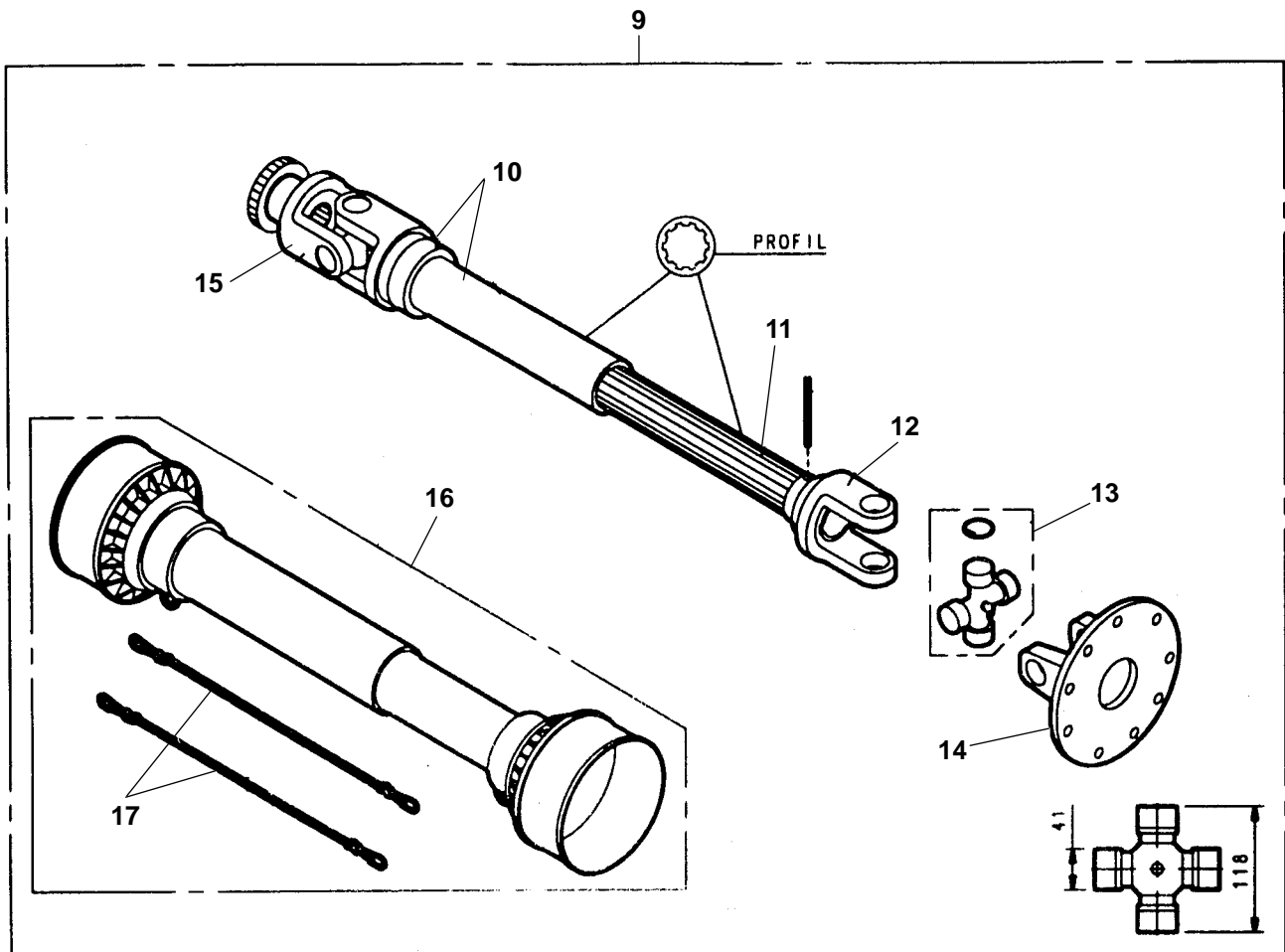
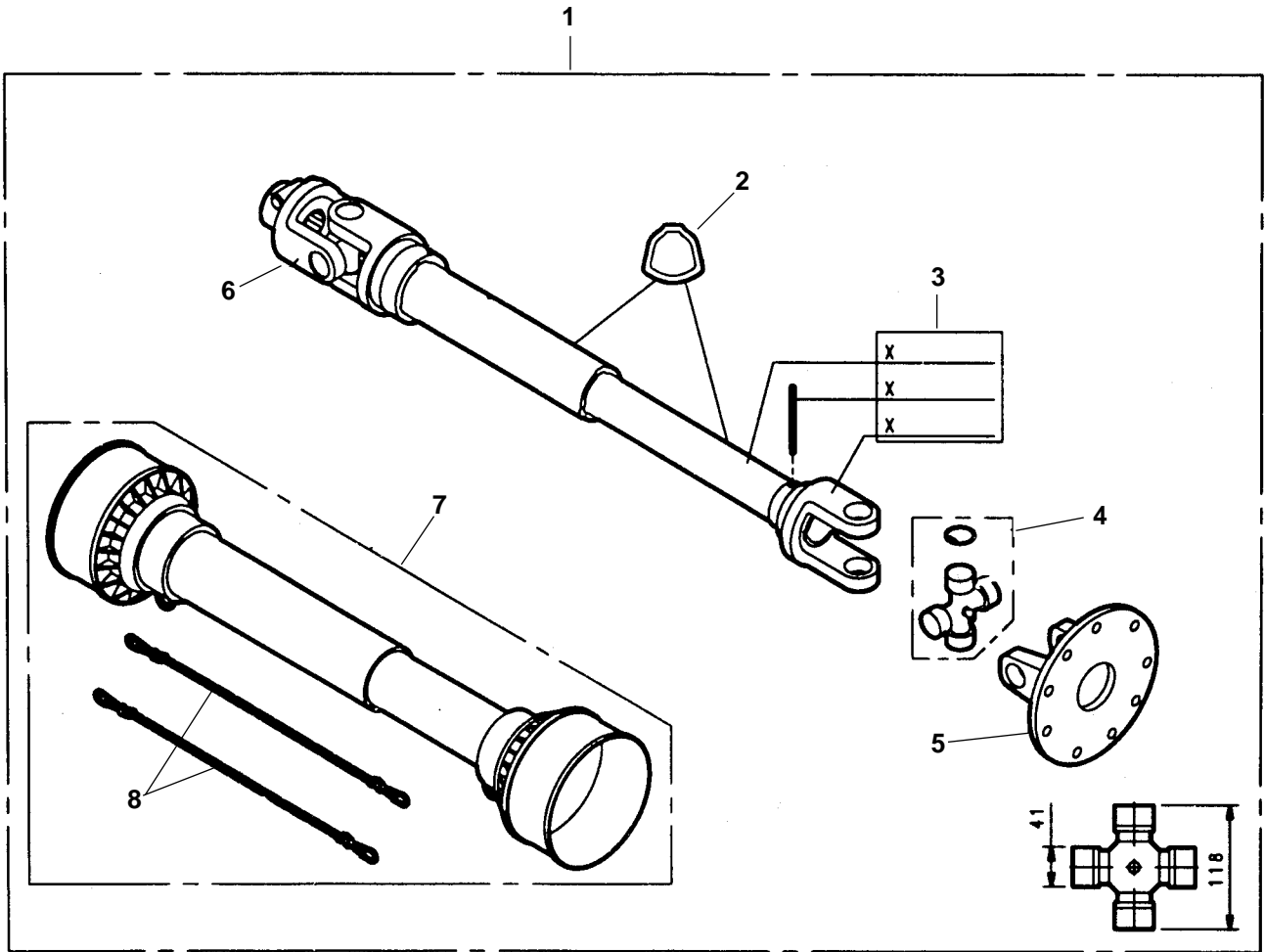
Onderdelenlijst

Liste de pièce de rechange

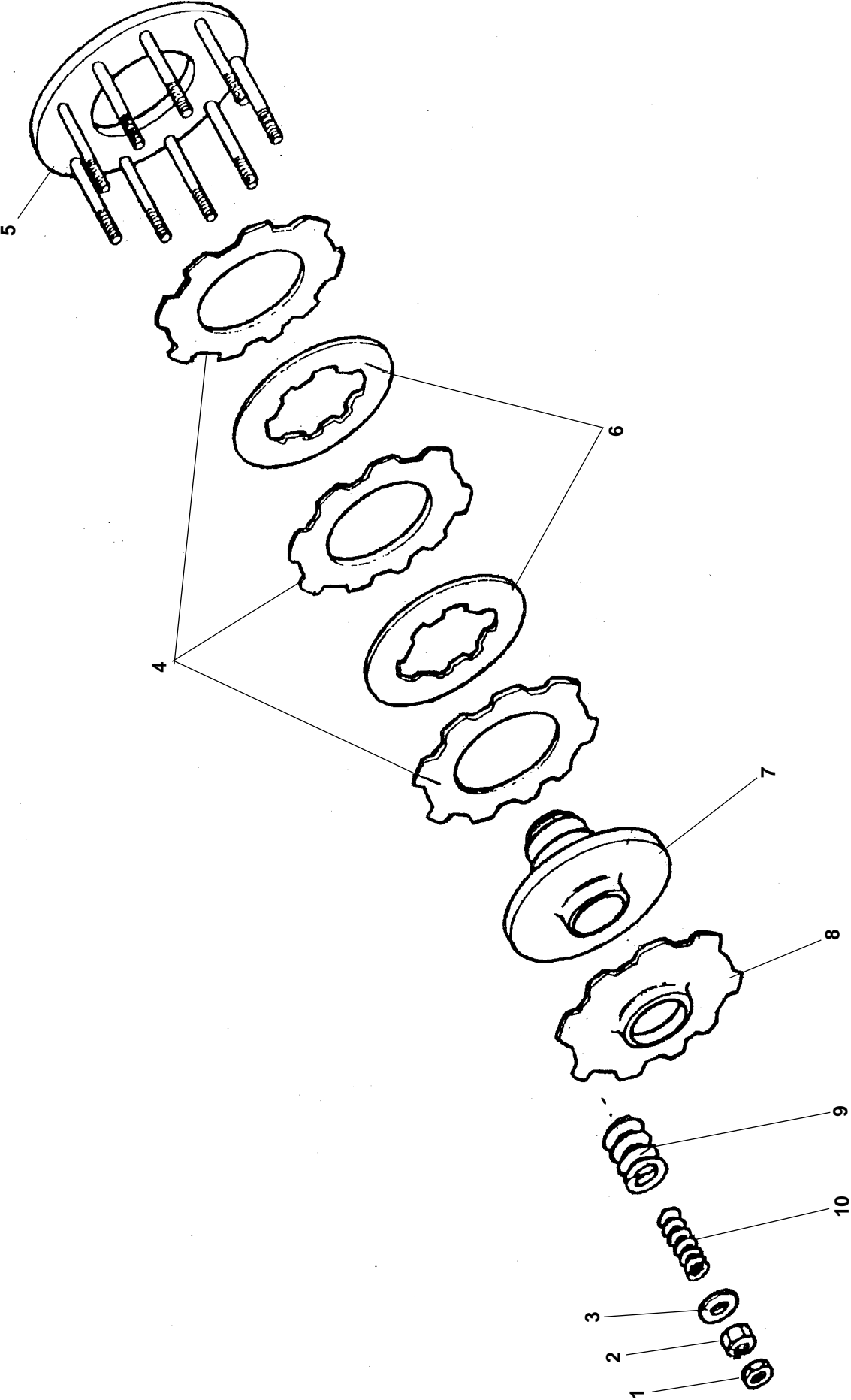
Lista de Piezas

Parti di ricambio

ROTAVATOR / ROTALABOUR 700



ROTAVATOR / ROTALABOUR 700



ROTAVATOR / ROTALABOUR 700

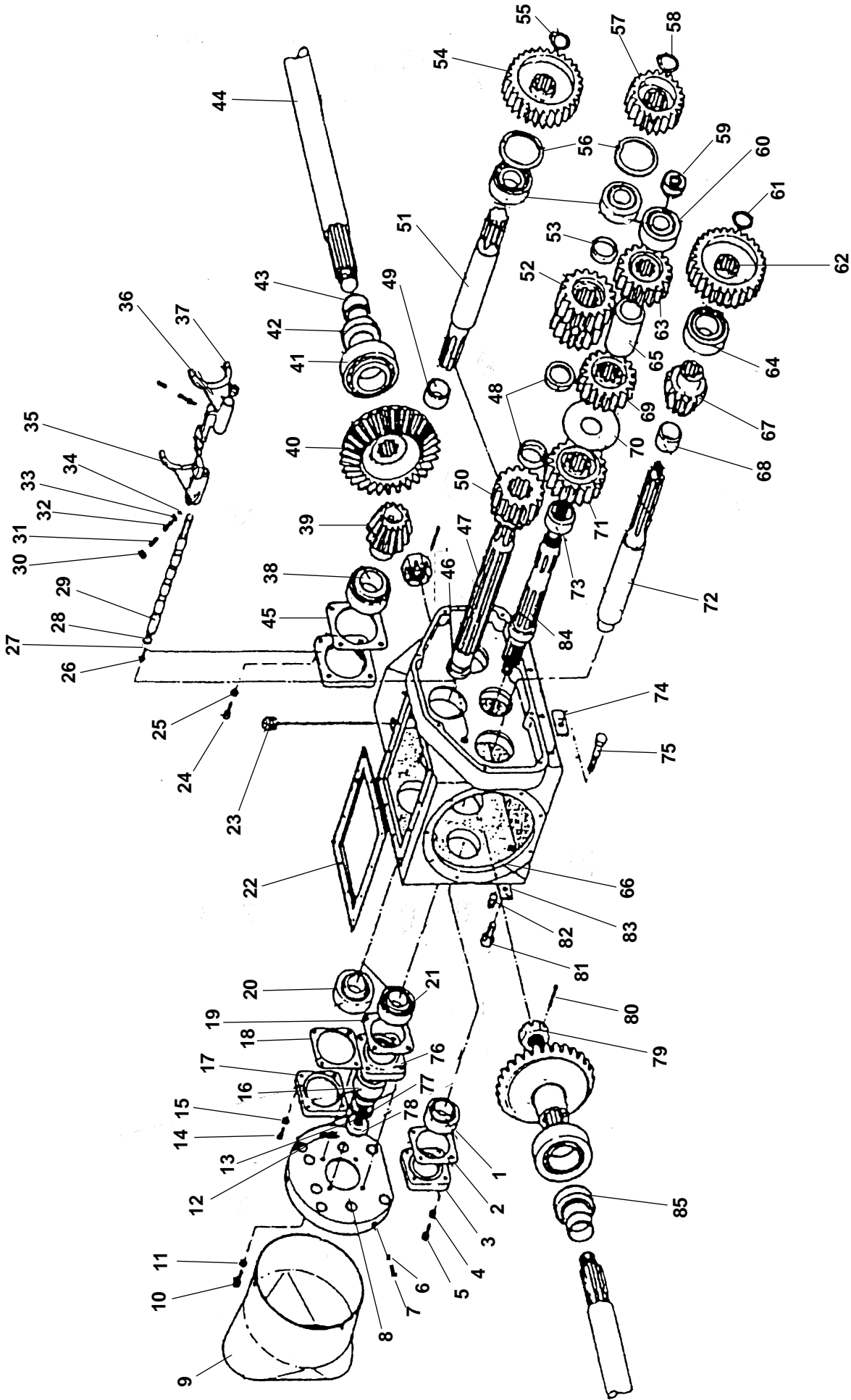


Fig.	Serial n°	Part n°	Pieces	Notes
1	254 080 251	1		Bearing # 32208
2	71 000704163	2		
2	71 000704162	4		
2	71 000704161	2		
3	71 000651018	1		
4	308 120 045	4		Spring washer M12 Setscrew M12 x 25 mm. Shake proof washer M10 Setscrew M10 x 16 mm.
5	301 412 255	4		
6	308 100 135	3		
7	301 410 165	3		
8	71 000652198	1		
9	71 000652195	1		Setscrew M14 x 35 Spring washer M14 Split cotter pin 5 x 50 mm.
10	301 414 355	4		
11	308 140 045	4		
12	208 010 860	1		
13	71 000652847	1		
14	301 412 255	4		Setscrew M12 x 25 Spring washer M12 Seal 85 x 65 x 12 mm.
15	308 120 045	4		
16	268 565 123	1		
17	71 000652010	1		
18	71 000652013	1		
18	71 000652012	1		
18	71 000652011	1		
19	71 000650038	1		
19	71 000109413	1		
19	71 000650036	1		
20	254 510 256	1		Bearing # 30309 Bearing # 33209 Setscrew M14 x 30 mm.
21	254 585 321	1		
22	71 000652025	1		
23	71 000330046	1		
24	301 414 305	4		
25	308 140 045	4		Spring washer M14 Socket hex. cap head M10 x 20 O ring
26	303 210 205	1		
27	71 000653002	1		
28	202 025 290	1		
29	71 000652036	1		
30	307 210 025	2		Lock nut M10 Setscrew M10 x 20 DIN 913 mm. Steel ball Ø 8 mm
31	314 410 200	2		
32	71 000652035	2		
33	71 000652159	2		
34	250 008 001	2		
35	71 000652033	1		Lock nut M18 Bearing # 32212
36	71 000652034	1		
37	307 218 025	1		
38	256 011 282	1		
39	71 000652022	1		
40	71 000652044	2		Bearing # 30315 Seal 95 x 75 x 12 mm.
41	257 513 311	2		
42	269 575 121	1		
43	71 000462142	2		
44	71 000109804	2		
44	71 000109803	2		
44	71 000109802	2		
44	71 000109801	2		
45	71 000756206	1		
45	71 000756839	1		
45	71 000756840	1		
46	71 000652009	1		
47	71 000109410	1		
48	71 000109411	1		
49	71 000652021	1		
50	71 000109405	1		
51	71 000653003	1		
52	71 000109406	1		
53	71 000652009	1		
54	71 000652019	1		
55	208 002 710	1		Seeger E - 45 Seeger I - 100 Seeger E - 45
56	208 001 510	2		
57	71 000652018	1		
58	208 002 710	1		
59	71 000110300	1		
60	254 510 256	3		Bearing # 30309 Seeger E - 45 Bearing # 32212
61	208 002 710	1		
62	71 000652019	1		
63	71 000109407	1		
64	256 011 282	1		

ROTAVATOR / ROTALABOUR 700

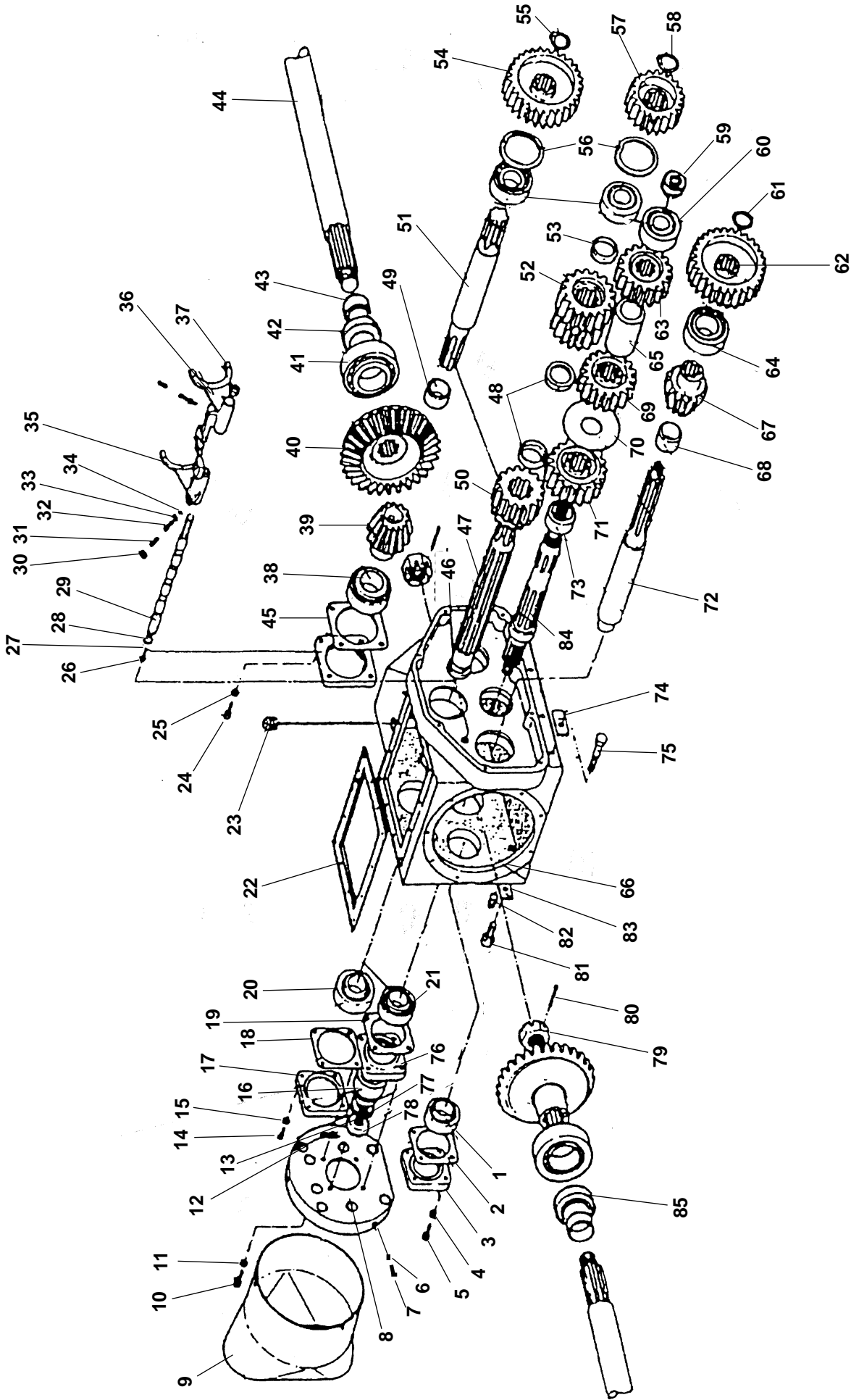
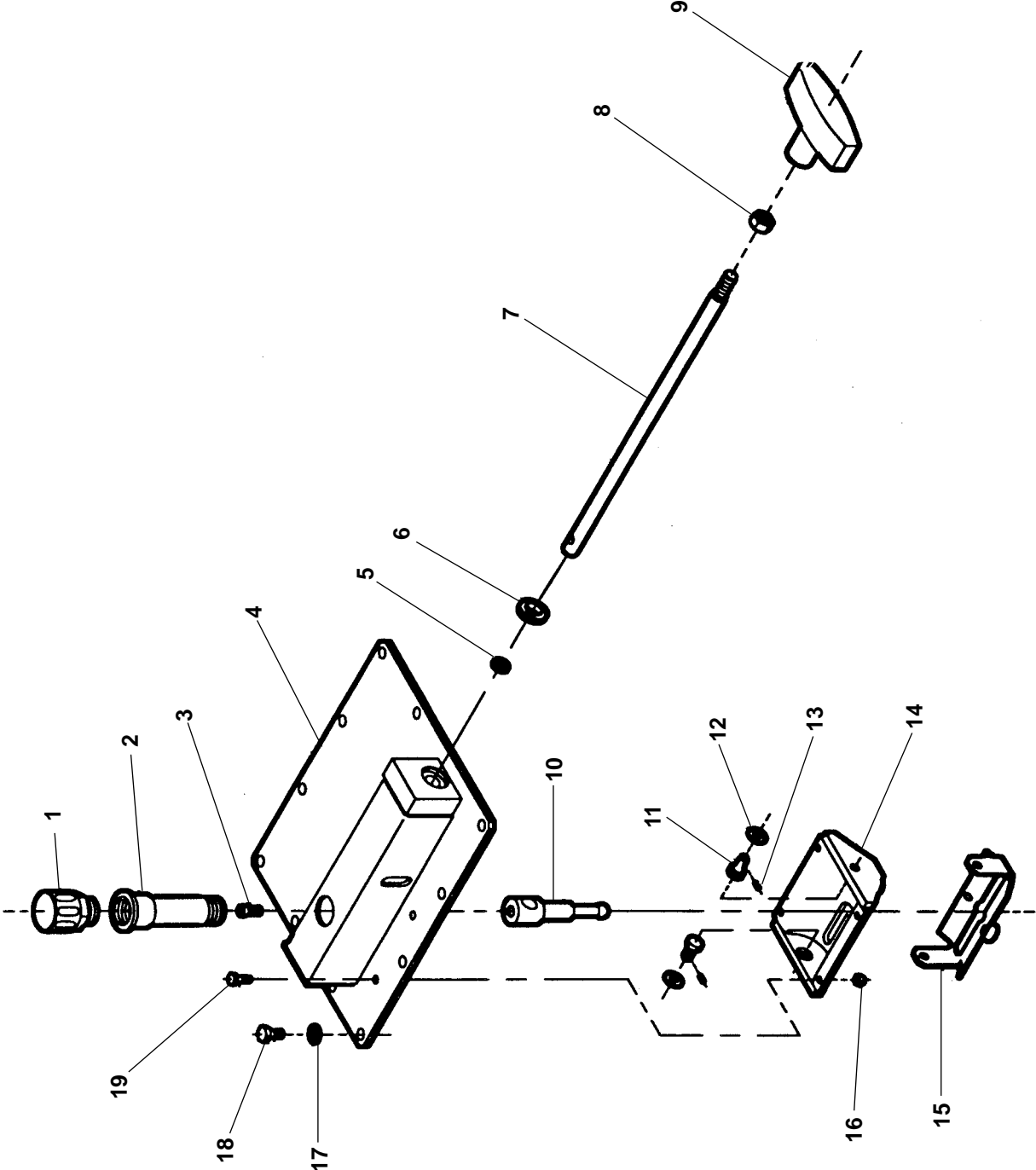


Fig.	Serial n°	Part n°	Pieces	Notes
65	71 000109412	1		
66	71 000109109	1		
67	71 000652022	1		
68	71 000652021	1		
69	71 000109408	1		
70	71 000652004	1		
71	71 000109409	1		
72	71 000652840	1		
73	71 000109413	1		
74	71 000652439	4		
75	301 216 805	4		Bolt M16 x 80 mm.
76	71 000756320	1		
77	71 000652848	1		
78	307 624 145	1		Hex. sloted nut M24 x 1.5 mm.
79	307 140 140	1		Hex sloted nut M40
80	208 016 120	2		Split cotter pin 6.3 x 80 mm
81	301 416 405	5		Setscrew M16 x 40 mm.
82	203 031 580	1		Plug 3/8"
83	71 000109103	2		
84	71 000110203	1		
85	269 575 121	1		Seal 95 x 75 x 12 mm.

ROTAVATOR / ROTALABOUR 700



ROTAVATOR / ROTALABOUR 700

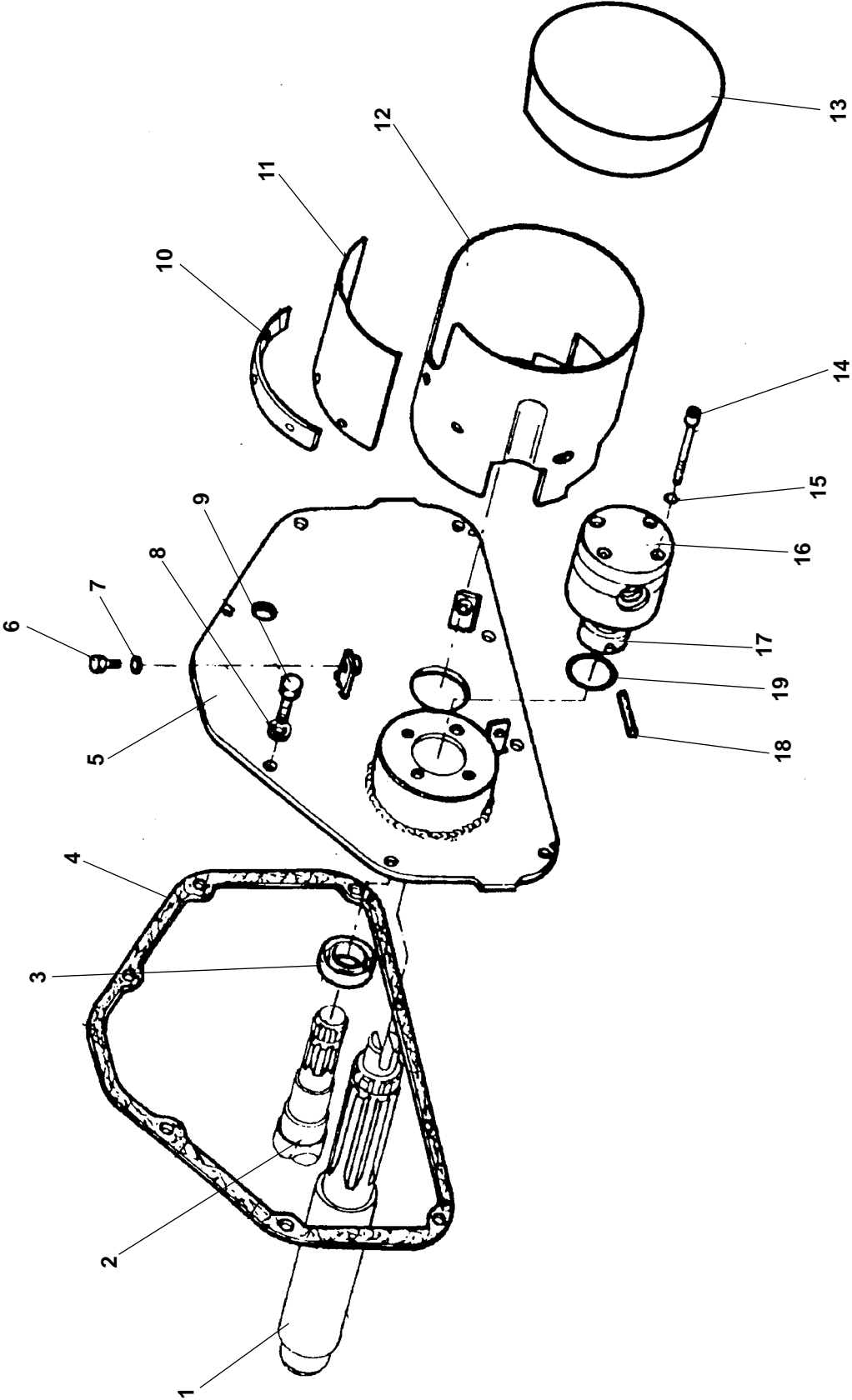


Fig.	Serial nº	Part nº	Pieces	Notes
1	71 000652840	1		
2	71 000110203	1		
3	265 235 103	1		
4	71 000109113	1		
5	71 000109020	1		Seal 52 x 35 x 10 mm
6	301 408 165	3		
7	209 019 380	3		Setscrew M8 x 16 mm.
8	202 029 410	8		Washer contact
9	301 410 255	8		Copper seal ring 10 x 13,5 mm
10	71 000109100	1		Setscrew M10 x 25
11	71 000109102	1		
12	71 000109099	1		
13	202 040 580	1		Cop
14	303 206 805	4		Socket hex. cap head M6 x 80 mm.
15	308 060 045	4		Spring washer M6
16	202 001 629	1		Single pump
17	71 000652834	1		
18	208 012 565	1		Pin
19	202 070 750	1		O ring 46 x 3,5 mm

ROTAVATOR / ROTALABOUR 700

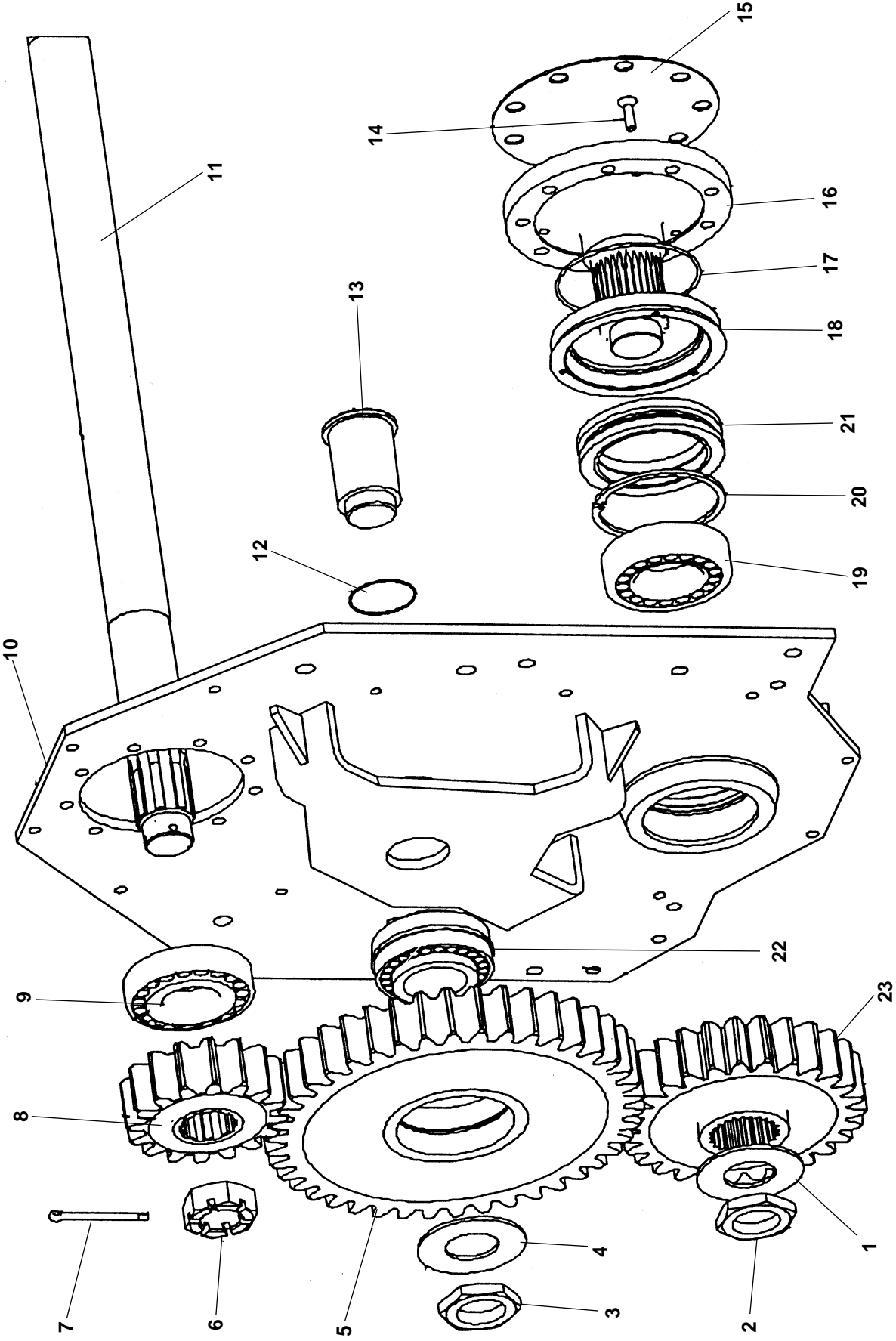


Fig.	Serial nº	Part nº	Pieces	Notes
1	203 026 100	1		Belleville washer
2	71 000650018	1		
3	71 000650018	1		
4	203 026 100	1		Belleville washer
5	71 000652215	1		
6	307 140 140	1		Hex. sloted nut DIN 937 M40
7	208 016 120	1		Split cotter pin
8	71 000110279	1		
9	255 512 316	1		Bearing # 30311
10	71 000110253 R	1		▶
10	71 000110252 R	1		◀
11	71 000109804	1		
12	202 070 950	1		O ring 60,04 x 1,78 mm.
13	71 000653325	1		
14	302 208 305	1		Bolt countersunk head M8 x 30 mm
15	71 000109317	1		
16	71 000110240	1		
17	202 073 100	1		O ring 130 x 3 mm.
18	71 000110254	1		
19	256 512 311	1		Bearing # 22213E
20	208 001 850	1		Seeger I - 120
21	202 078 072	1		Face seal
22	71 000653466	1		
23	71 000109664	1		

ROTAVATOR / ROTALABOUR 700

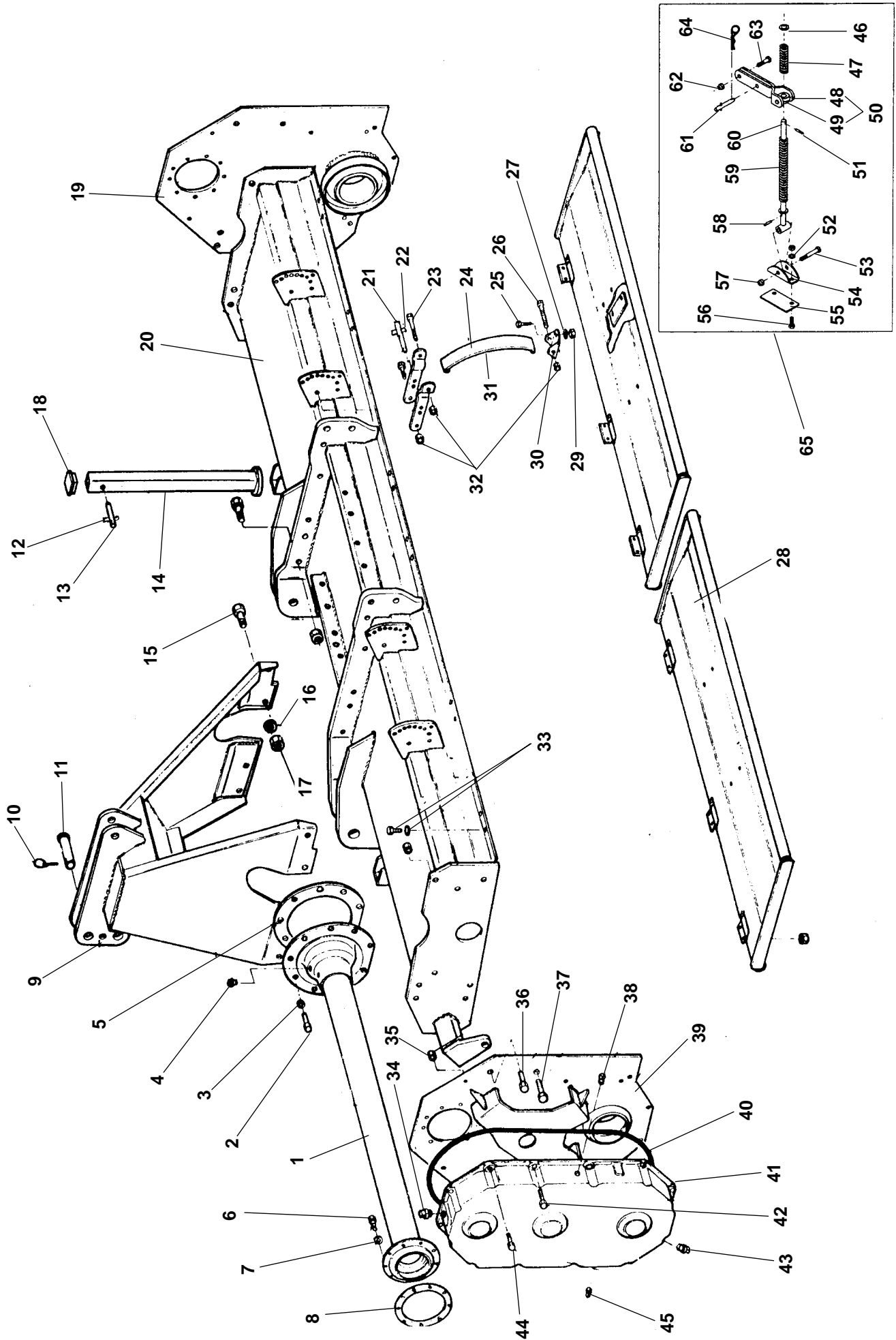
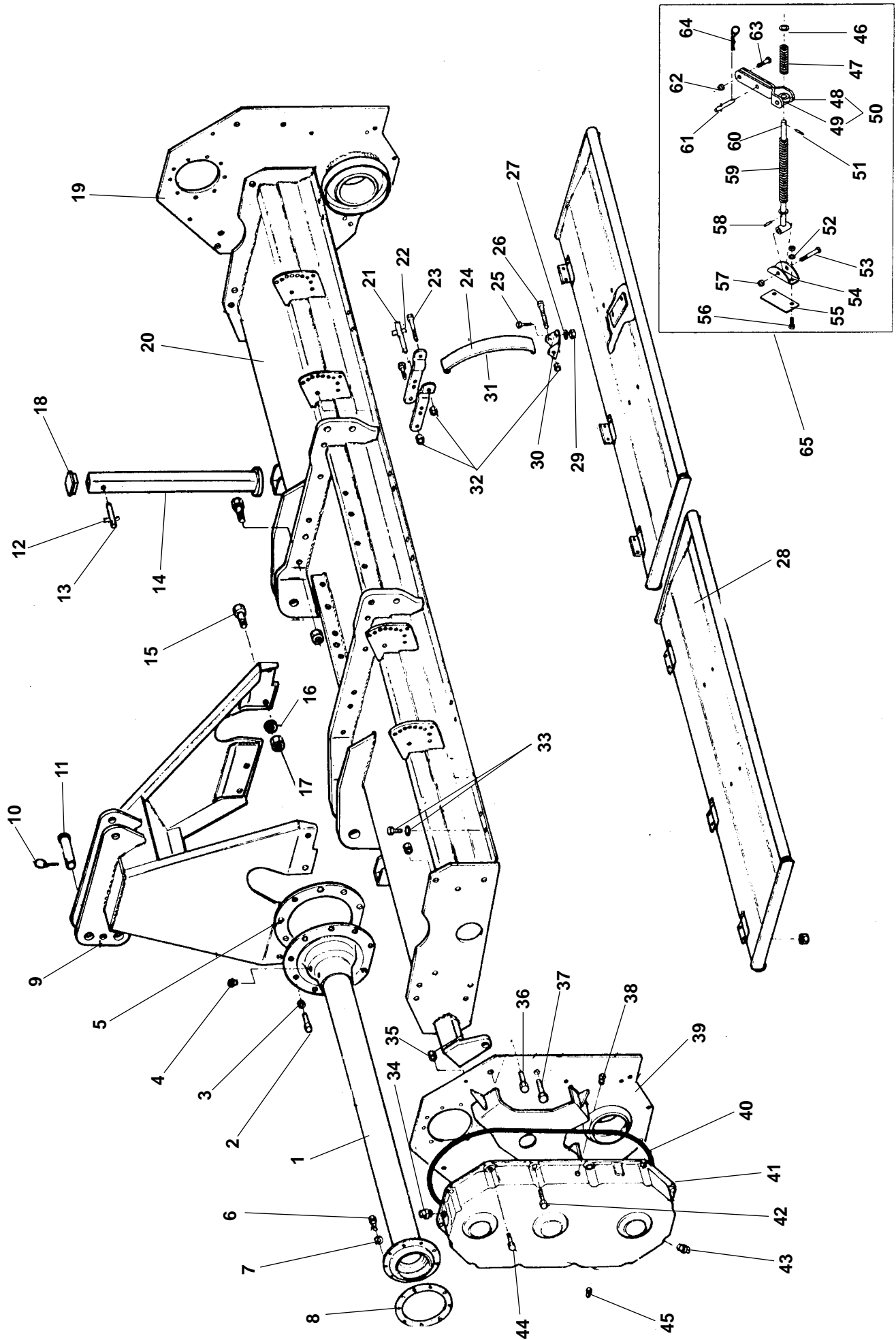
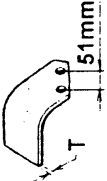
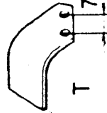


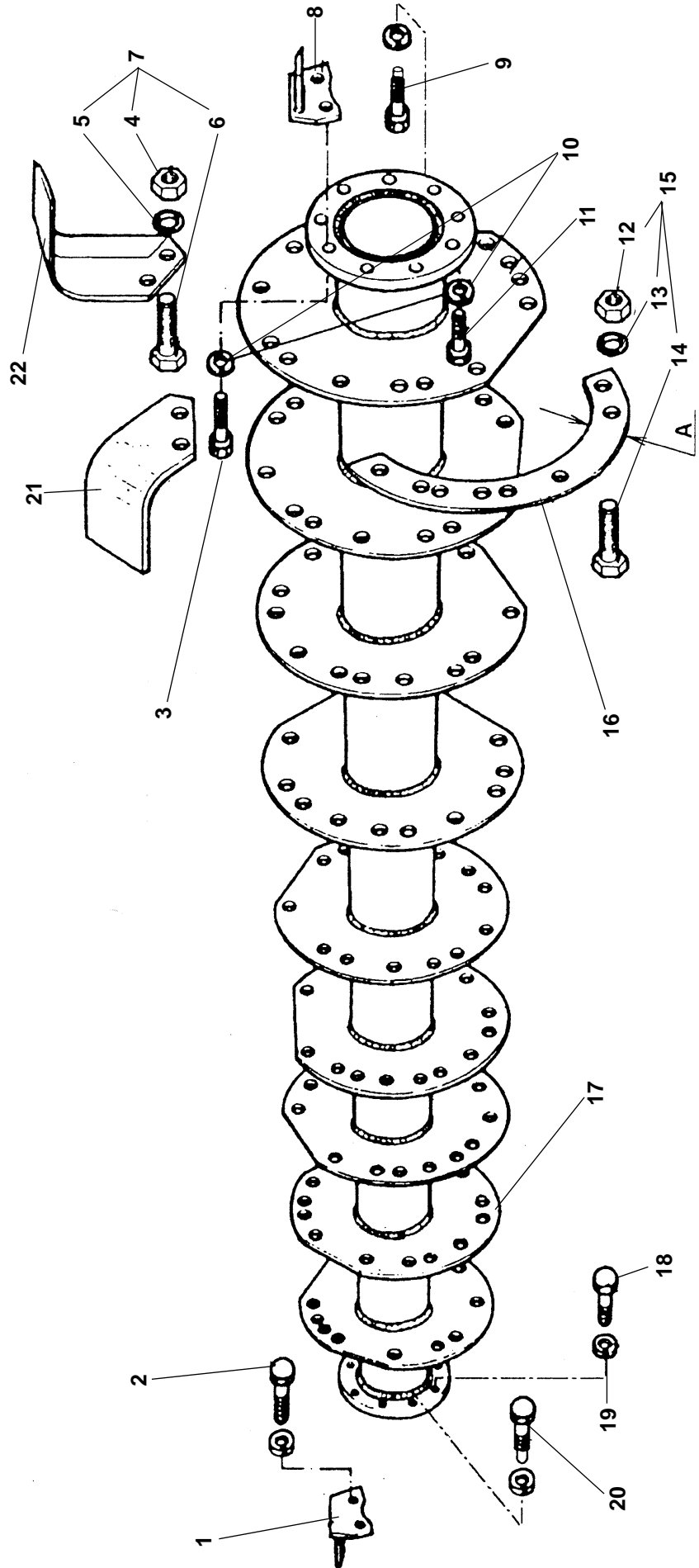
Fig.	Serial nº	Part nº	Pieces	Notes
1	71 000109971 R			355
1	71 000652052 R	2		255
1	71 000652054 R	2		305
1	71 000653020 R	2		405
2	301 412 305	18		Setscrew M12 x 30 mm.
3	308 120 045	18		Spring washer M12
4	203 032 010	2		Valve
5	71 000762071	8		
6	301 412 255	18		Setscrew M12 x 25 mm.
7	308 120 045	18		Spring washer M12
8	71000652043	4		
9	71 000109003 R	1		
10	208 092 060	1		Pin
11	71000338386	1		
12	208 039 115	1		Avdel Ø 18
13	71 000650247	2		
14	71 000109290	2		
15	301 216 555	8		Bolt M16 x 55
16	209 019 340	8		Washer contact
17	307 216 015	8		Nut M16
18	208 044 090	2		Plug
19	71 000110253 R	1		
20	71 000109166 R	1		255
20	71 000109077 R	1		305
20	71 000110532 R	1		355
20	71 000109040 R	1		405
21	71 000650114	1		
22	208 039 095	1		Pin
23	301 212 755	1		Bolt M12 x 75 mm
24	71 000651655 V	2		
25	301 412 305	2		Setscrew M12 x 30 mm.
26	301 212 755	1		Bolt M12 x 75 mm.
27	308 120 045	2		Spring washer M12
28	71 000653963 R	2		255
28	71 000653964 R	2		305
28	74 966855735 R	2		355
28	71 000653965 R	2		405
29	307 212 015	2		Nut M12
30	71 000650125 R	1		
31	71 000335118 V	2		
32	307 212 050	3		Lock nut M12
33	301 212 355	12		Bolt M12 x 35 mm.
33	308 120 045	12		Spring washer M12
33	307 212 015	12		Lock nut M12
34	203 031 210	2		Plug 1"
35	307 210 050	20		Lock nut M10
36	301 216 405	10		Bolt M16 x 40 mm.
37	301 216 455	2		Bolt M16 x 45 mm.
37	307 216 050	12		Lock nut M16
38	203 031 040	2		Plug 1/4"
39	71 000110252 R	1		
40	71 000652213	2		
41	71 000653094 R	2		
42	301 210 305	4		Bolt M10 x 30 mm.
43	203 031 040	2		Plug 1/4"
44	301 210 405	20		Bolt M10 x 40 mm.
45	203 031 180	2		Plug 3/8"
46	308 170 017	2		Flat washer M17
47	71 000653632	1		
48	71 000651655	1		
49	71 000653629	1		
50	71 000653816	2		
51	208 012 520	1		Pin 6 x 30 mm.
52	308 120 045	1		Spring washer M12
53	301 212 755	1		Bolt M12 x 75 mm.
54	71 000650125	1		
55	71 000651868	1		
56	301 412 305	1		Setscrew M12 x 30 mm.
57	307 212 125	1		Lock nut M12
58	208 012 520	1		Pin 6 x 30 mm.
59	71 000653633	1		
60	71 000653635	1		
61	71 000107277	1		
62	307 212 125	1		Self locking nut M12
63	301 212 455	1		Bolt M12 x 45 mm.

ROTAVATOR / ROTALABOUR 700

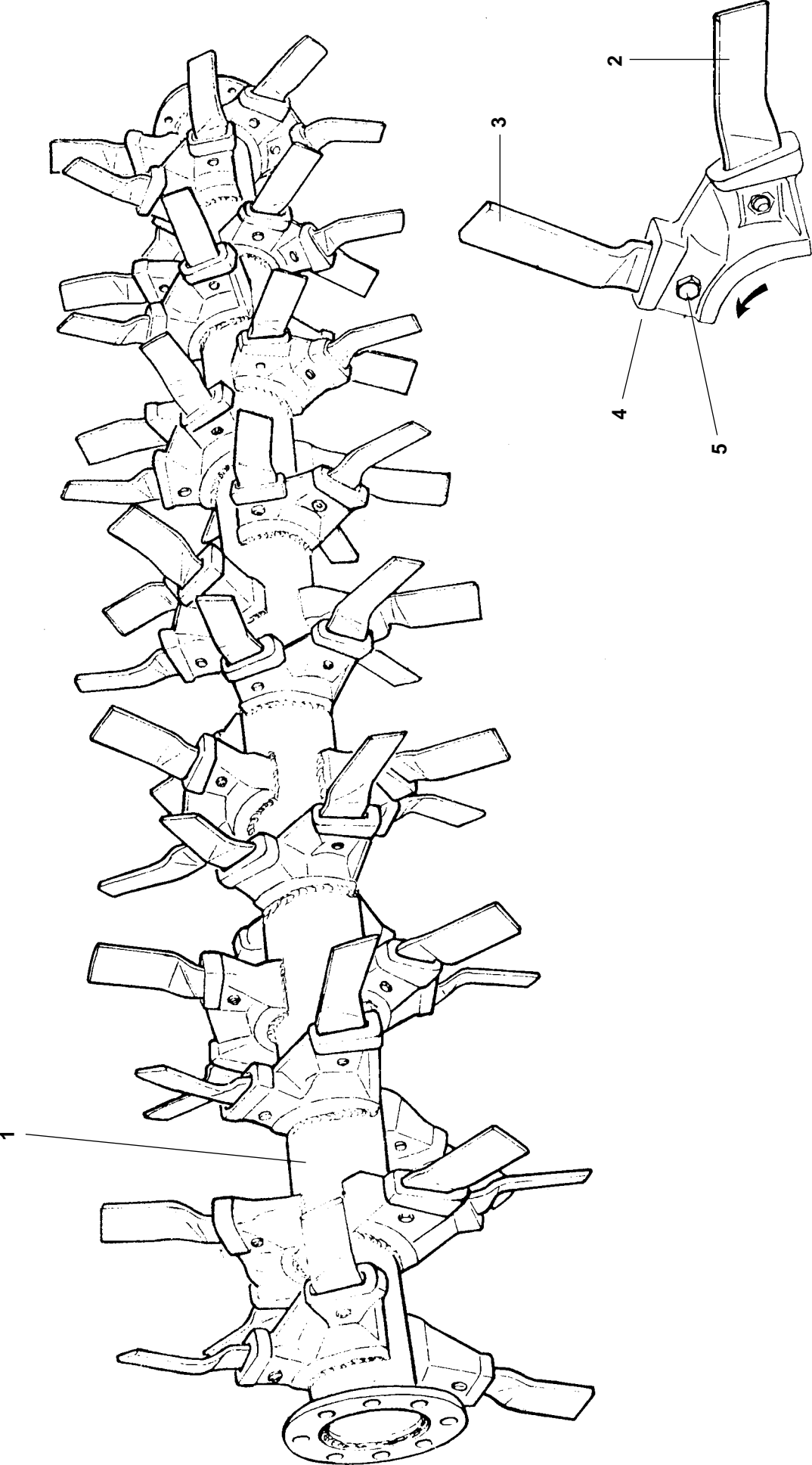


ROTAVATOR / ROTALABOUR 700

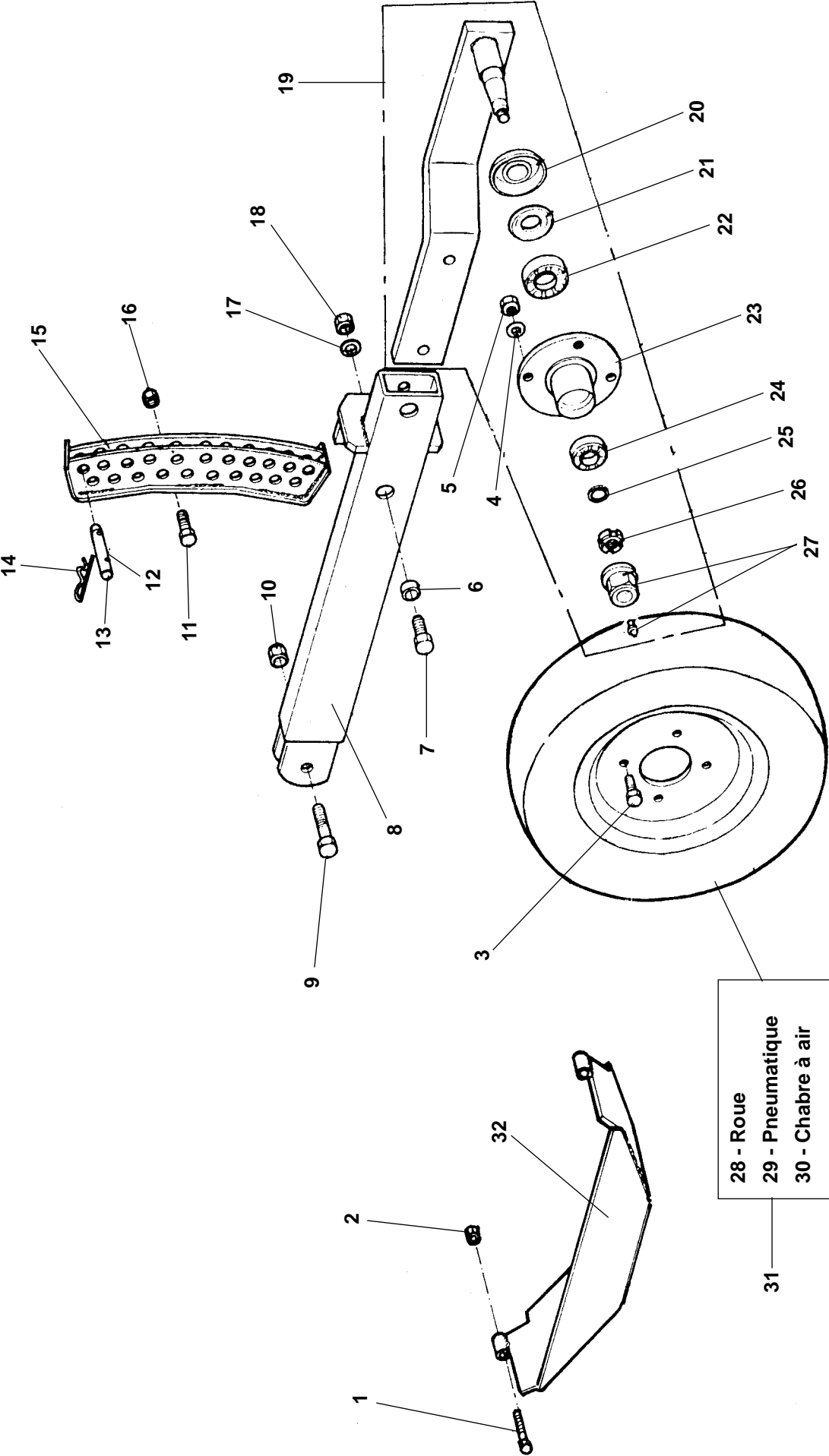
	 S Rotor	 F Rotor					
Tnm	10	8	8	255	305	355	405
▼	9862	9950	109343	x 30	x 36	x 42	x 48
▲	9863	9951	109344	x 30	x 36	x 42	x 48



ROTAVATOR / ROTALABOUR 700

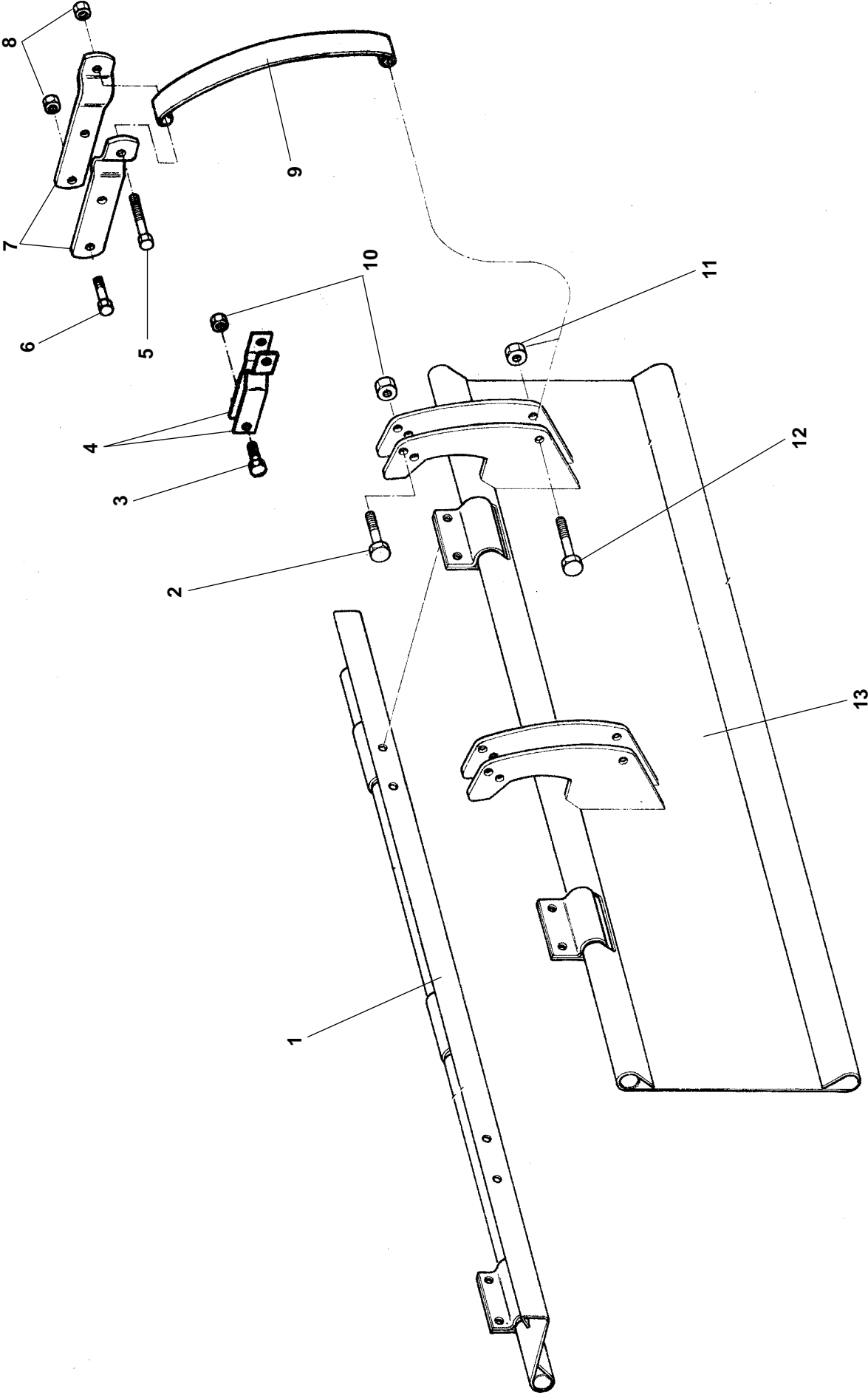


ROTAVATOR / ROTALABOUR 700

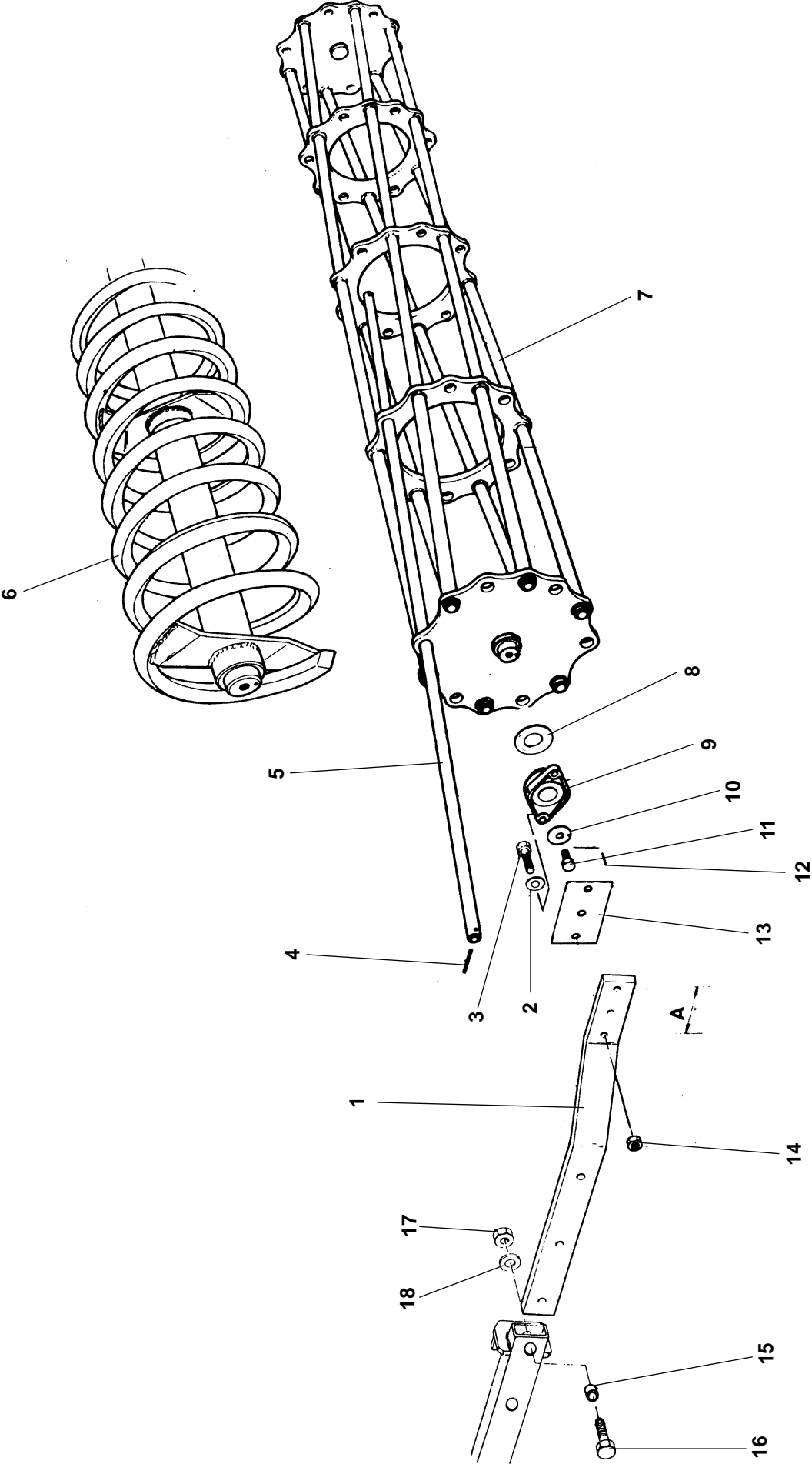


28 - Roue
 29 - Pneumatique
 30 - Chabre à air

ROTAVATOR / ROTALABOUR 700



ROTAVATOR / ROTALABOUR 700



ROTAVATOR / ROTALABOUR 700

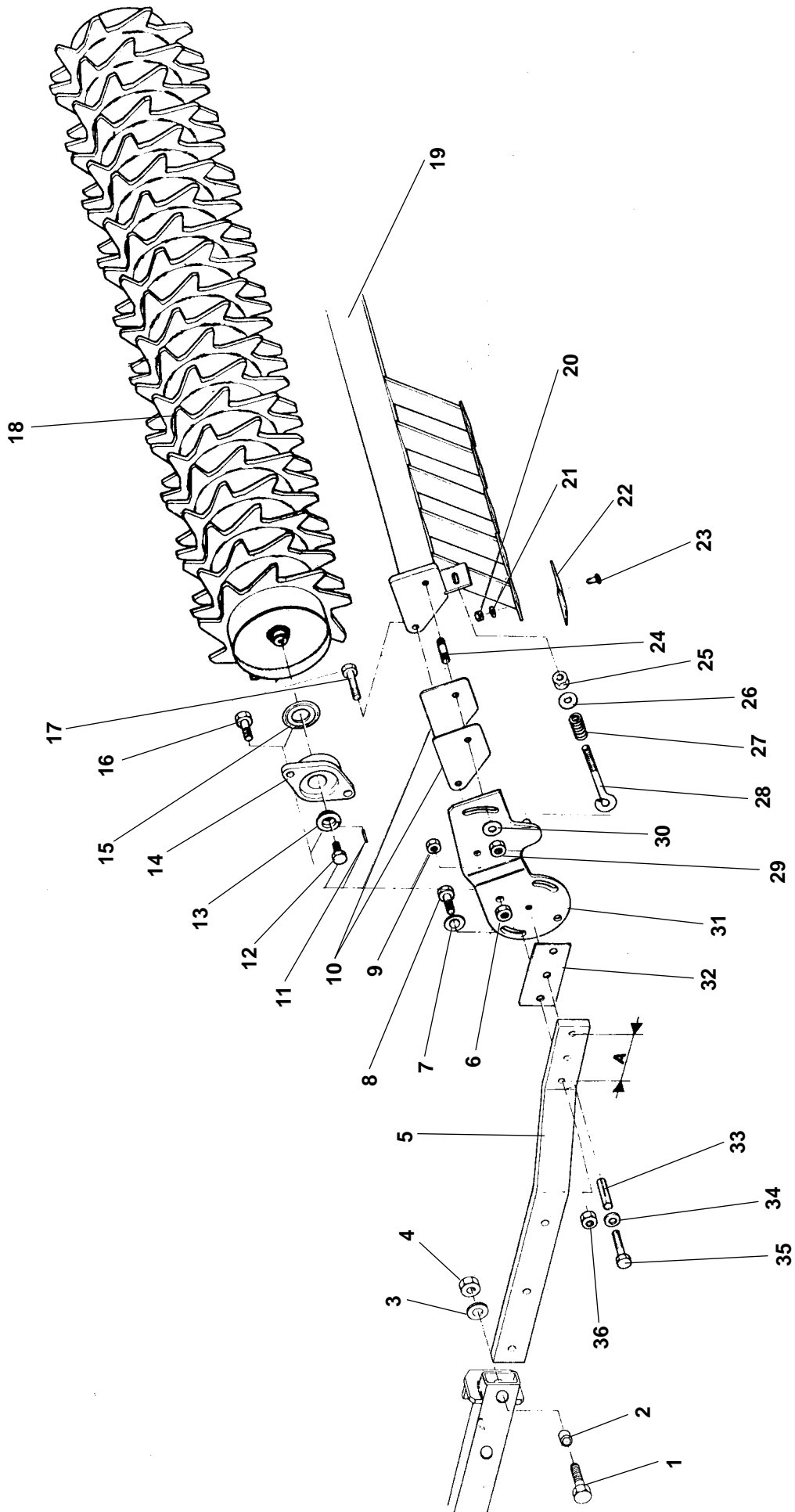
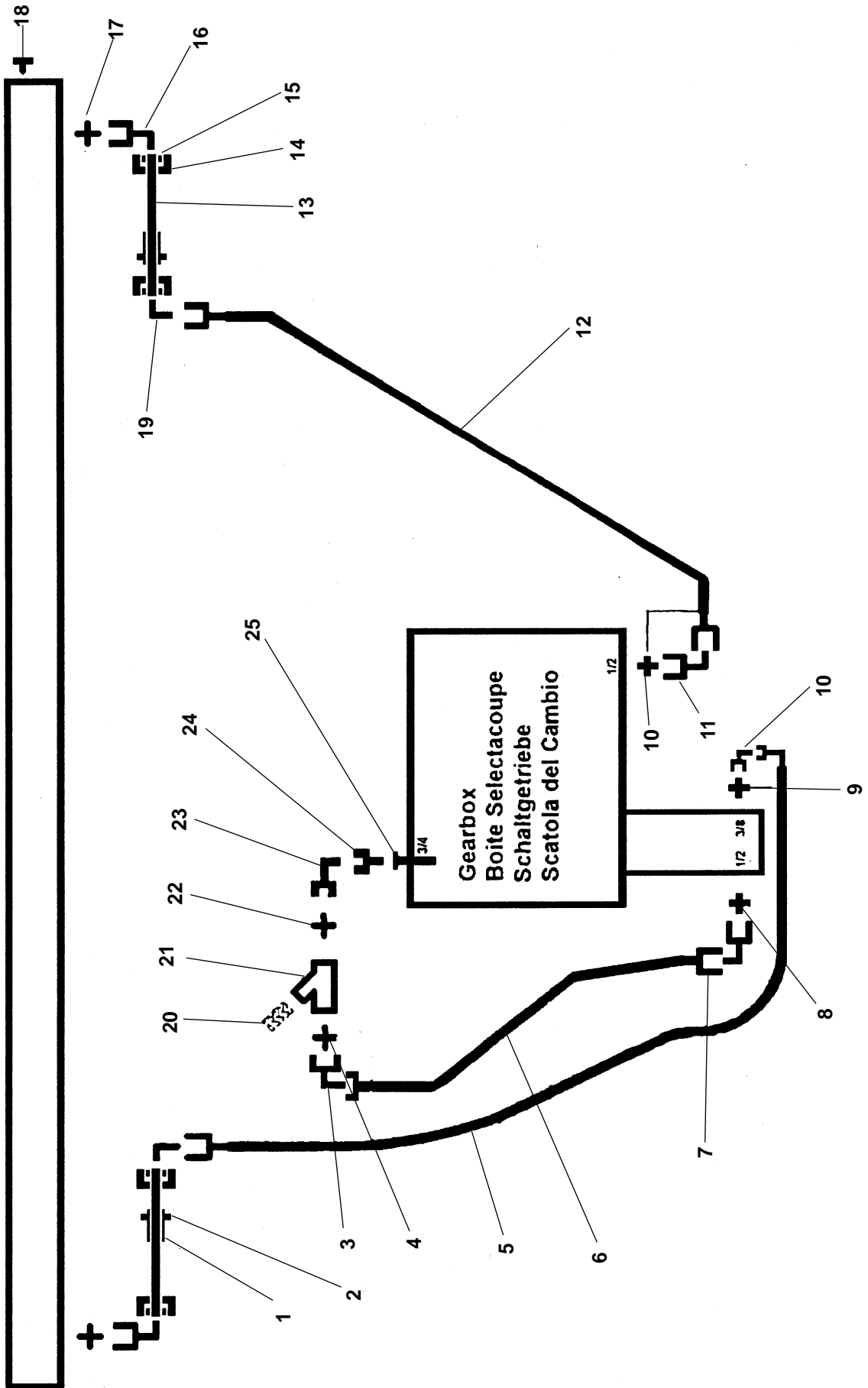


Fig.	Serial n°	Part n°	Pieces	Notes
1	301 216 805	4		Bolt M16 x 80 mm
2	71 000109033	4		
3	308 160 045	4		Spring washer M16
4	307 216 015	4		Nut M16
5	71 000652885 V	2		A = 148 - Ø15
5	71 000109389 V	2		A = 177 - Ø25
6	307 214 050	4		A = 148 - Ø15
6	307 224 050	4		A = 177 - Ø25
7	209 019 240	4		A = 148 - Ø15
7	308 240 025	4		A = 177 - Ø25
8	301 214 605	4		A = 148 - Ø15
8	301 224 805	4		A = 177 - Ø25
9	307 214 050	2		A = 148 - Ø15
9	307 214 050	2		A = 177 - Ø25
10	71 000652884 V	4		A = 148 - Ø15
10	71 000652884 V	4		A = 177 - Ø25
11	208 012 640	2		A = 148 - Ø15
11	208 012 640	2		A = 177 - Ø25
12	301 412 305	2		A = 148 - Ø15
12	301 412 305	2		A = 177 - Ø25
13	71 000653580	2		A = 148 - Ø15
13	71 000109348	2		A = 177 - Ø25
14	254 514 560	2		A = 148 - Ø15
14	254 517 440	2		A = 177 - Ø25
15	254 578 030	2		A = 148 - Ø15
15	254 590 030	2		A = 177 - Ø25
16	301 214 605	4		A = 148 - Ø15
16	301 224 605	4		A = 177 - Ø25
17	301 214 505	2		A = 148 - Ø15
17	301 214 505	2		A = 177 - Ø25
18	71 000652856 V	1		
18	71 000652857 V	1		
19	71 000652873 V	1		
19	71 000652874 V	1		
20	307 208 050	1		Nylock nut M8
21	209 019 370	1		Washer contact
22	71 000652882	1		
23	321 208 205	1		Shallow cup M8 x 20 mm.
24	326 214 455	2		Screwed stud M14 x 45 mm.
25	307 212 015	2		Nut M12
26	308 120 075	2		Flat washer M12
27	71 000652921 V	2		
28	208 007 920	2		
29	307 214 050	2		Nylock nut M14
30	308 140 025	2		Flatwasher M14
31	71 000652879	1		A = 148 - Ø15 ▶
31	71 000109386	1		A = 177 - Ø25 ▶
31	71 000652878	1		A = 148 - Ø15 ◀
31	71 000109385	1		A = 177 - Ø15 ◀
32	71 000652919	4		A = 148 - Ø15
32	71 000109263	4		A = 177 - Ø25
33	208 110 065	2		A = 148 - Ø15
33	208 110 170	2		A = 177 - Ø25
34	308 100 025	2		A = 148 - Ø15
34	308 140 025	2		A = 177 - Ø25
35	301 210 455	2		A = 148 - Ø15
35	301 214 455	2		A = 177 - Ø25
36	307 214 015	4		A = 148 - Ø15
36	307 224 050	4		A = 177 - Ø25

ROTAVATOR / ROTALABOUR 700



ROTAVATOR / ROTALABOUR 700

