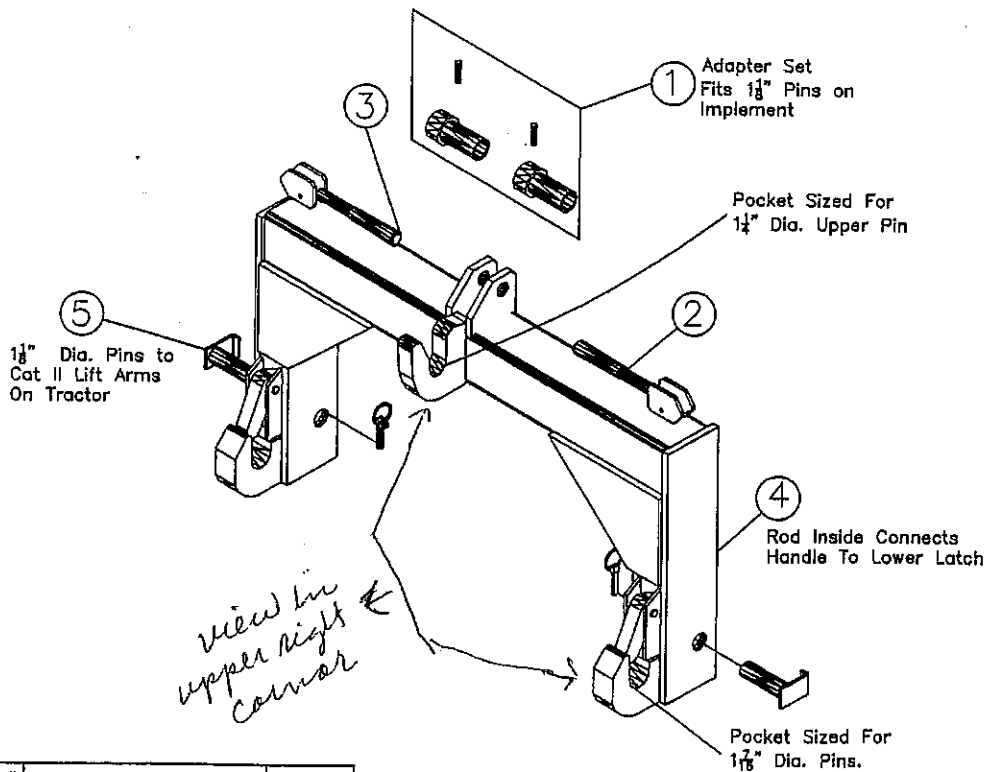
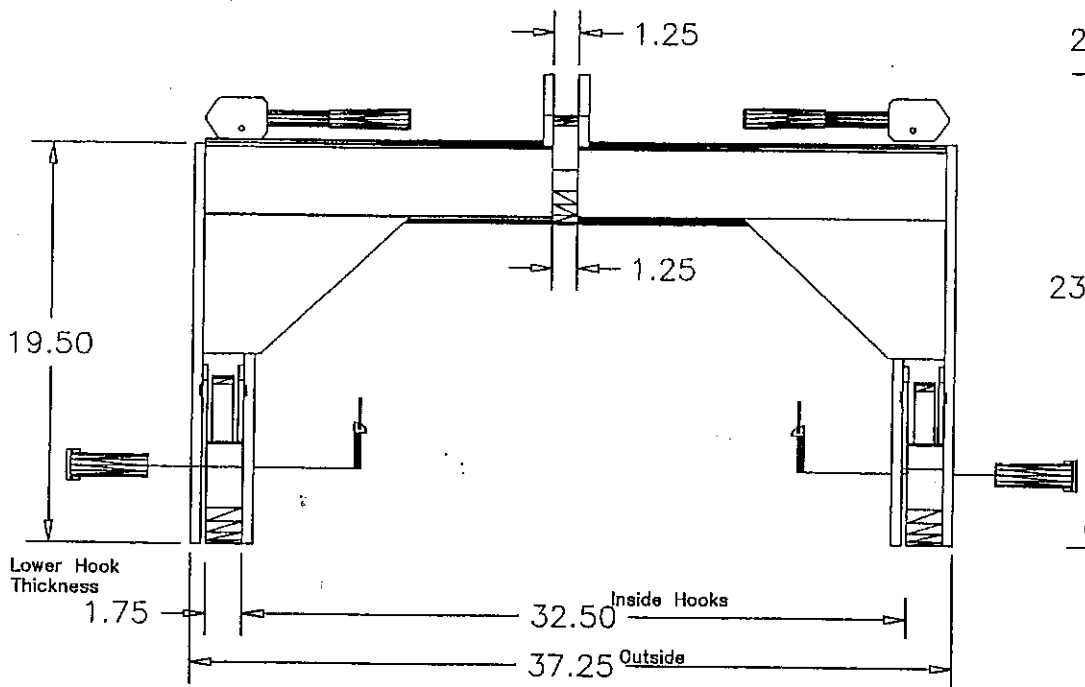


KIT NUMBER
862845



STATEMENT OF POLICY

It is the policy of WorkSaver, Inc. to improve its products where it is possible and practical to do so. WorkSaver, Inc. reserves the right to make changes or improvements in design and construction at any time, without incurring the obligation to make these changes on previously manufactured units.

PROPRIETARY INFORMATION

THIS DOCUMENT IS THE PROPERTY OF WORKSAVER INC. ITS USE IS AUTHORIZED ONLY FOR THE PURPOSE FOR WHICH IT WAS PROVIDED. IT MAY NOT BE REPRODUCED WITHOUT PERMISSION OF WORKSAVER INCORPORATED.

Item #	Part #	Description	Qty
1	862530	Bushing Kit	2
2	862843	Handle (Only)	2
3	862844	Grip for Handle	2
4	862847	Rod (Handle to Latch)	2
5	862846	Lower Mounting Pin	2

Category 2 Standard Quick Hitch Comes With (1) Set of Adapter Bushings Rated for Use With 100H.P. Tractor Weighs Approx 134LBS.

LOADERS

Quick Hitch
QH-102

DRAWN BY	DATE
BRH	6/11/04
KIT NUMBER	
862845	

WORKSAVER, INC.
P.O. Box 100, Litchfield, Illinois 62056