

REPAIR PARTS CATALOG



TRANSPORT PULVI-MULCHER

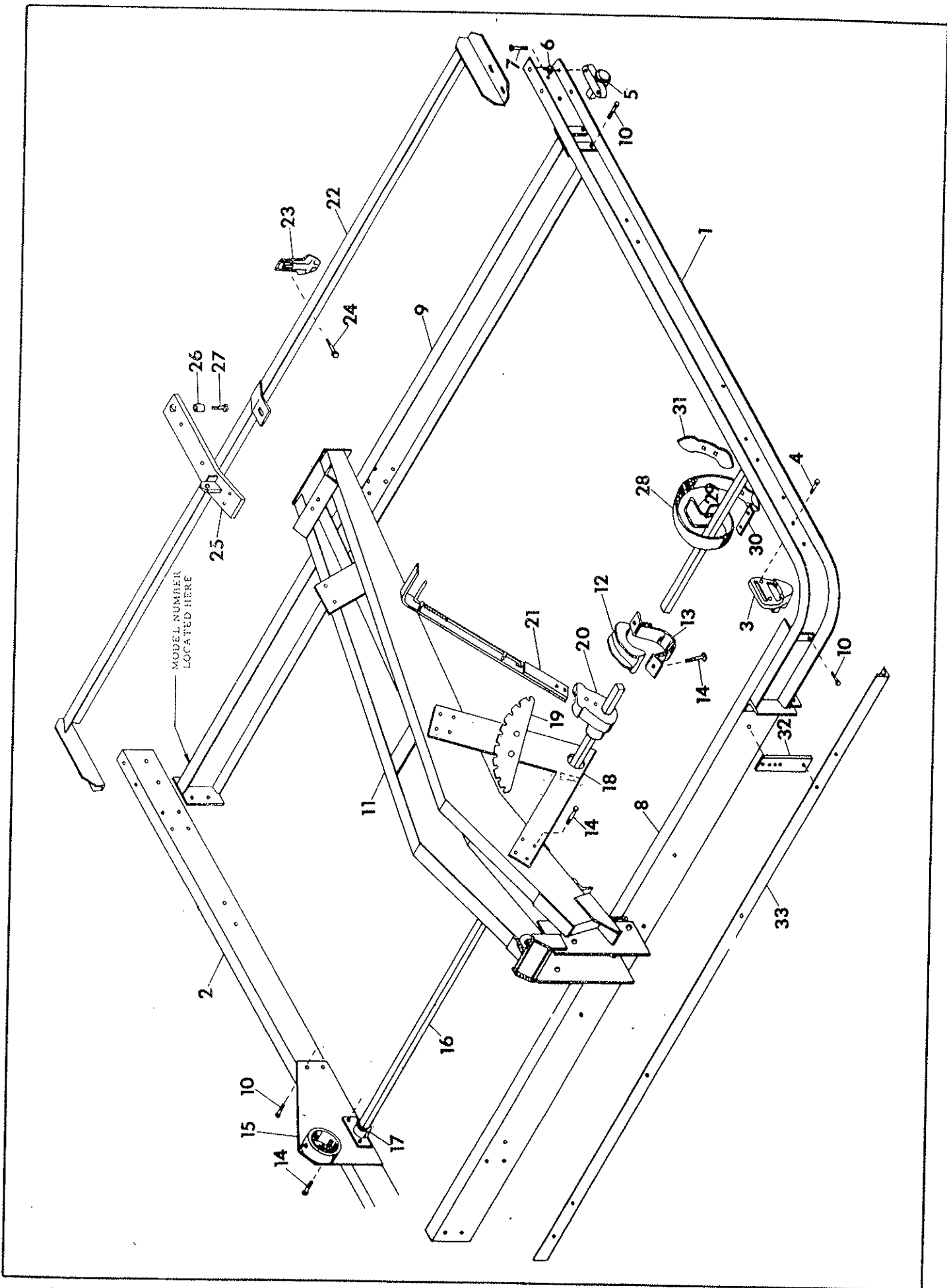
Model M-124
Model MC-124
Model MCC-124

**BRILLION IRON WORKS
BRILLION, WISCONSIN 54110**

IMPORTANT! Repairs cannot be purchased retail direct from factory. Order through your Brillion dealer.

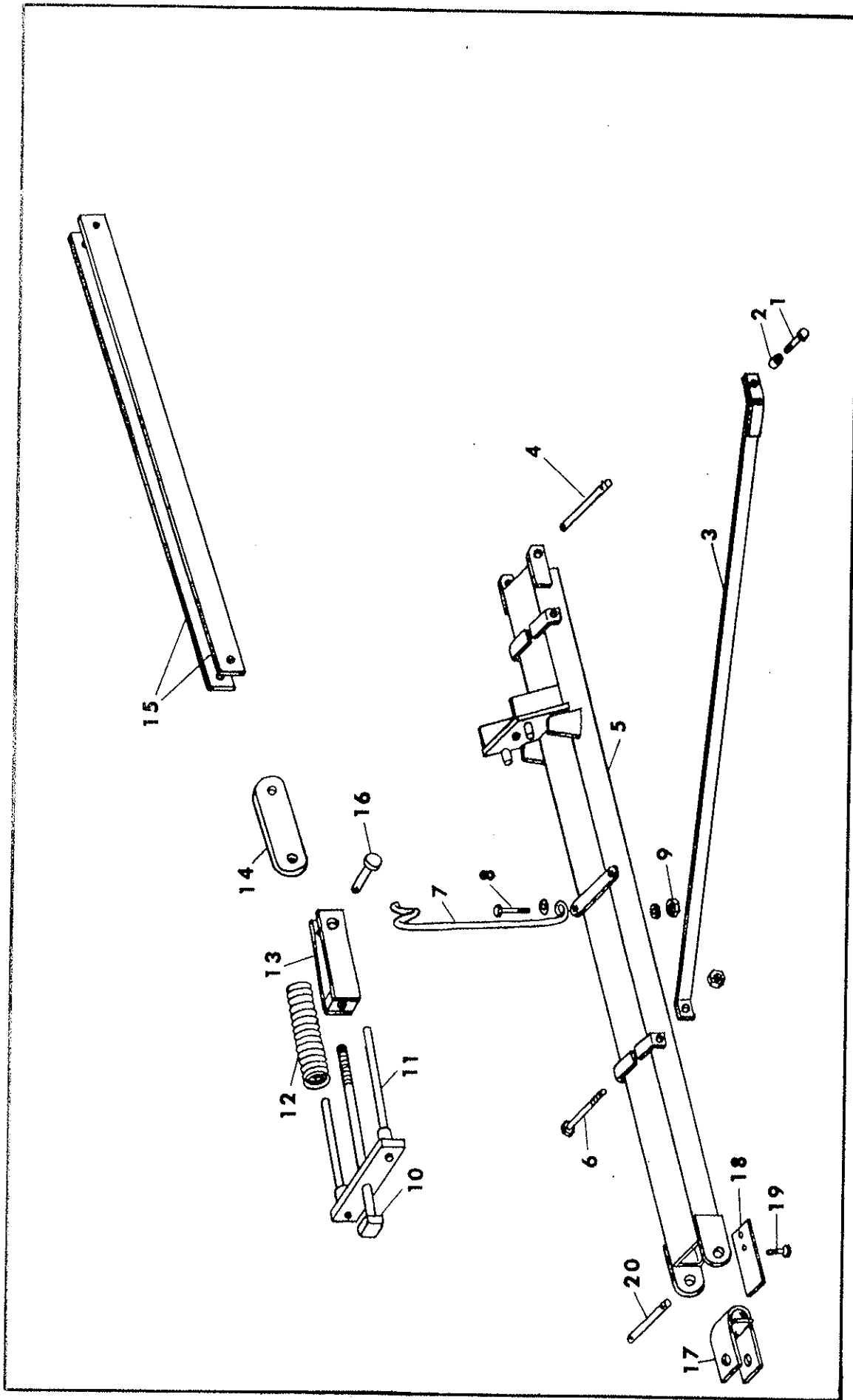
MODEL # NAME PLATE IS LOCATED ON
REAR CHANNEL. SEE PAGE 2.

MODEL NO. DATE PURCHASED



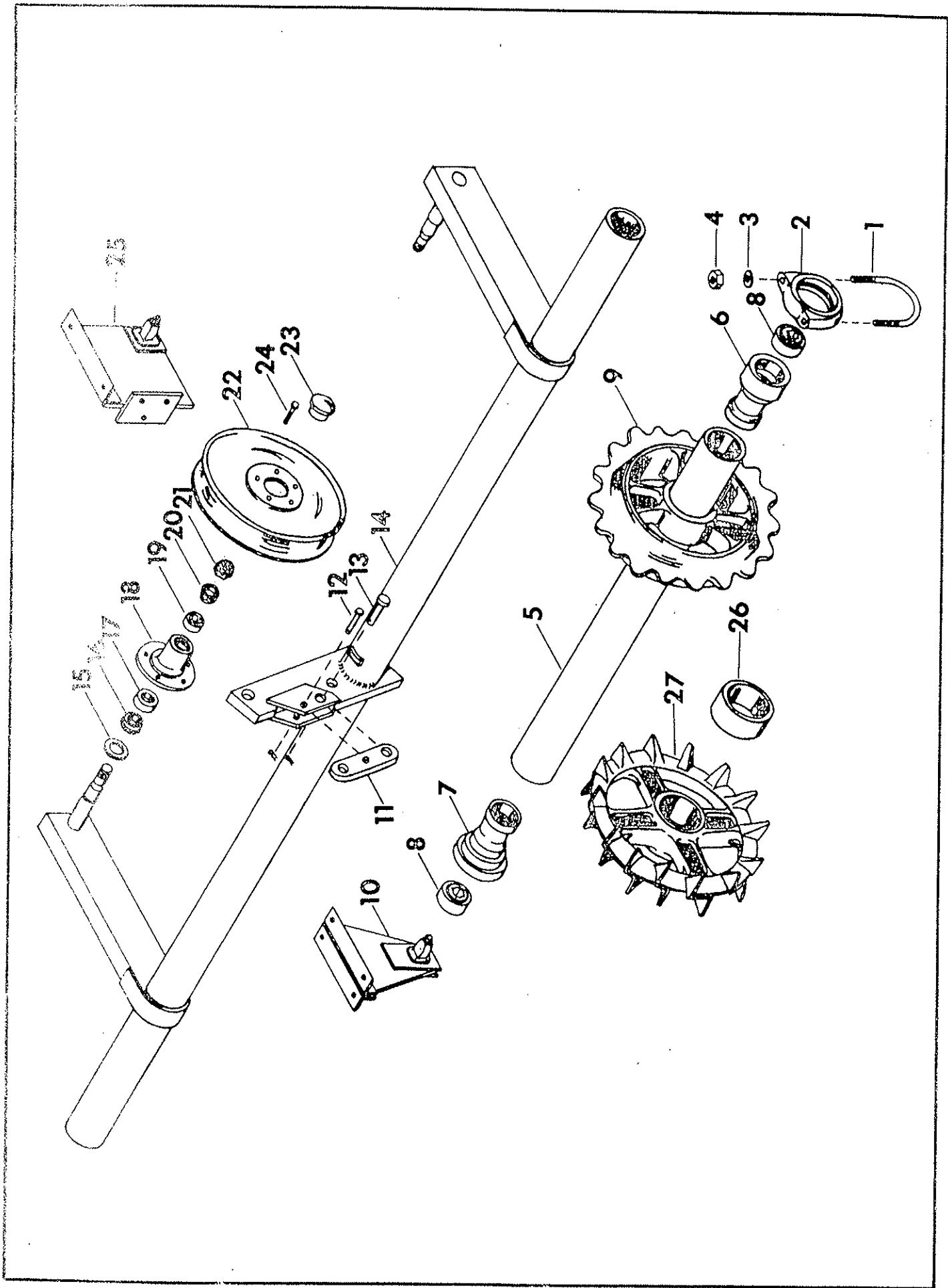
M-124 TRANSPORT PULVI-MULCHER

Index No.	Part No.	Part Name	No. Used	Weight
1	4D-44	L. H. Channel Assembly	1	70.0
2	4D-46	R. H. Channel Assembly	1	70.0
3	1J-176	Long Axle Mount	2	5.5
4	1D-237	Capscrew, 1/2-13 NC x 2" Lg., Grade 5	8	
	1C-109	Lockwasher, 1/2" Med.	45	
	1C-390	Nut, 1/2-13 NC	45	
5	9D-672	Short Axle Mount	2	4.0
6	7C-22	Bevel Washer	8	
7	7C-875	Capscrew, 1/2-13 NC x 2-1/2" Lg., Grade 5	4	
8	5D-686	Front Channel Assembly	1	81.6
9	5D-688	Rear Channel Assembly	1	89.7
10	2D-474	Capscrew, 5/8-11 NC x 1-3/4" Lg., Grade 5	29	
	1B-166	Lockwasher, 5/8" Med.	29	
	1C-392	Nut, 5/8-11 NC	29	
11	1J-201	Center Truss Assembly	1	148.0
12	1J-269	Bearing Cap Assembly	2	4.6
13	1J-194	Bearing Yoke	2	2.5
14	8C-527	Capscrew, 1/2-13 NC x 1-1/2" Lg., Grade 5	28	
15	1J-222	R. H. Axle Support	1	12.8
	1J-223	L. H. Axle Support	1	12.8
16	1D-236	Spring Tooth Shaft	2	80.8
17	1J-504	Front Spring Tooth Shaft Bearing Assembly	2	1.3
	4D-163	Rear Spring Tooth Shaft Bearing Assembly	2	1.3
18	1J-498	Front Spring Tooth Shaft Support	1	16.8
19	3J-165	Front Spring Tooth Quadrant	1	6.0
	5D-27	Rear Spring Tooth Quadrant	1	5.7
20	4D-180	Front Center Bearing	1	9.9
	7C-309	Set Screw, 3/8-16 NC x 1-1/4" Lg. Sq. Hd.	1	
	7C-259	Rear Center Bearing (not shown)	1	8.8
	7C-427	Set Screw, 3/8-16 NC x 1-3/4" Lg. Sq. Hd.	1	
21	6C-956	Lift Handle Assembly	2	10.3
	5D-667	Capscrew, 3/8-16 NC x 2-1/2" Lg., Grade 5	4	
	1C-183	Lockwasher, 3/8" Med.	36	
	1C-277	Nut, 3/8-16 NC	36	
22	5D-696	Scraper Bar	1	76.0
23	2D-110	Scraper	31	1.0
	3D-627	Center Scraper	1	1.3
24	3C-734	Carriage Bolt, 3/8-16 NC x 1-1/2" Lg.	32	
	1C-182	Flat Washer, 3/8" Std.	32	
25	4D-106	Dolly Drawbar	1	17.5
26	5D-312	Spacer	1	.4
27	1C-234	Capscrew, 1/2-13 NC x 2" Lg.	5	
	1C-120	Flat Washer, 1/2" Std.	6	
28	5C-4	Spring Tooth (7/16" x 2" Wide)	19	9.5
29	8C-384	Clamp Bolt	19	.3
30	5C-78	Clamp Strap	19	.7
	1C-109	Lockwasher, 1/2" Med.	38	
	1C-390	Nut, 1/2-13 NC	38	
31	4D-386	Reversible Shovel (Can be used on worn 5C-4 spring tooth)		1.1
	2C-628	Plow Bolt, 3/8-16 NC x 1-1/2 Lg. R. H. Sq. Neck C. S.		
32	9D-14	Leveler Support (Optional)		3.1
33	7C-178	Leveler (Optional)		31.9



M-124 TRANSPORT PULVI-MULCHER

Part No.	Part No.	Part Name	No. Used	Weight
1	7C-875	Capscrew, 1/2-13 NC x 2-1/2" Long, Grade 5	2	
	1C-109	Lockwasher, 1/2" Med.	3	
	1C-390	Nut, 1/2-13 NC	3	
2	4D-778	Drawbar Pivot Bushing	2	.2
3	5D-676	Drawbar Brace	2	12.7
4	5D-100	Drawbar Mounting Pin, 1" Dia. x 7-7/16" Long	1	1.5
5	4C-446	Cotter Pin, 1/4 Dia. x 1-1/2" Long	4	
6	6D-873	Drawbar	1	80.0
7	3C-910	Hex Head Machine Bolt, 1/2-13 NC x 6-1/2" Lg., Gr. 5	1	.8
8	5D-333	Hose Support	1	1.8
9	5C-460	Capscrew, 5/8-11 NC x 2" Long, Grade 5	1	
	5C-907	Flat Washer, 5/8" SAE	1	
	1B-166	Lockwasher, 5/8" Med.	1	
9	5C-461	Nut, 5/8-11 NC, Hex Stover	1	
10	6D-877	Square Head Machine Bolt, 3/4-10 NC x 10" Long	1	1.5
11	6D-870	Spring Guide	1	4.0
12	6D-828	Spring	2	5.0
13	4D-66	Yoke	1	2.3
14	6D-868	1/2" Strap	1	2.4
15	5D-872	1/4" Strap	2	5.1
16	2D-473	Clevis Pin, 3/4 x 1-7/8" Long	3	.3
	1C-205	Cotter Pin, 5/32 x 1-1/2" Long	3	
17	6D-879	Clevis	1	8.0
18	6D-865	Flat Spring	1	.2
19	5C-379	Capscrew, 3/8-16 NC x 7/8" Long	2	
	1C-183	Lockwasher, 3/8" Med.	2	
	5C-954	Locknut, 3/8-16 NC, Grade B Stover	2	
20	6D-944	Drawbar Mounting Pin, 1" Dia. x 6-1/4" Long	1	1.3



M-124 TRANSPORT PULVI-MULCHER

Index No.	Part No.	Part Name	No. Used	Weight
1	9D-673	U-Bolt		
2	9C-31	Axle Clamp	4	.7
3	1C-109	Lockwasher, 1/2" Med.	4	3.7
4	1C-390	Nut, 1/2-13 NC	8	
5	9C-62	Pipe Axle Assembly - 60-5/16 Long - Includes Bearings	8	
	1D-223	Pipe Axle Assembly - 64-5/16 Long - Includes Bearings	3	60.0
6	9C-14	Outer Bearing Housing	1	63.0
7	9C-15	Inner Bearing Housing	4	7.0
8	9C-16	Bearing	4	8.0
9	8C-988	Pulverizer Wheel	8	1.7
10	1J-373	Front Center Bracket Assembly	61	34.0
	1J-371	Front Center Bracket	1	14.8
	9D-669	Straight Axle Mount	1	
	9D-866	Drilled Bolt, 5/8-11 NC x 6" Long, Grade 5	2	
	1B-166	Lockwasher, 5/8 Med.	1	
	4D-529	Slotted Nut, 5/8-11 NC	1	
	2C-864	Cotter Pin, 1/8-1" Long	1	
11	1J-203	Float Link	1	
12	8C-520	Clevis Pin, 1/2 Dia. x 2-1/2" Long	1	4.5
	4C-856	Hairpin Cotter	1	
13	8D-99	Clevis Pin, 1" Dia. x 2-1/2" Long	1	
	1C-788	Cotter Pin, 3/16 x 1-1/2" Long	1	
14	1J-423	Transport Axle Assembly - Complete	1	
15	1D-273	Grease Seal	1	268.2
16	5C-480	Bearing Cone (#LM48548)	2	.1
17	5C-479	Bearing Cup (#LM48510)	2	.2
18	1J-390	Hub	2	.2
19	5C-912	Bearing Cup (#LM11910)	2	8.6
20	5C-911	Bearing Cone (#LM11949)	2	.2
21	3C-173	Slotted Nut, 3/4-16 NF, Light	2	.3
	3C-350	Cotter Pin, 5/32 x 1" Long	2	.1
22	4C-129	Wheel (15" Rim) (Standard)	2	
	1D-734	Wheel (14" Rim) (Optional)	2	16.0
23	1J-463	Hub Cap	2	16.0
24	5C-100	Wheel Bolt	2	.2
25	1J-374	Rear Center Bracket Assembly	10	.1
	1J-367	Rear Center Bracket	1	21.3

USED ON MC & MCC PULVI-MULCHERS

26	4D-108	Spacer - 2-1/16 Wide (Used on 64-5/16 Long Pipe Axle Assembly)			
	2D-213	Spacer - 2-3/16 Wide (Used on 60-5/16 Long Pipe Axle Assembly)	MCC	10	2.8
			MC	18	
9	8C-988	Pulverizer Wheel	MCC	27	3.0
27	1D-927	Crowfoot Wheel	MC	31	34.0
			MC	20	
			MCC	41	41.0