

# REPAIR PARTS CATALOG



## LANDCOMMANDER

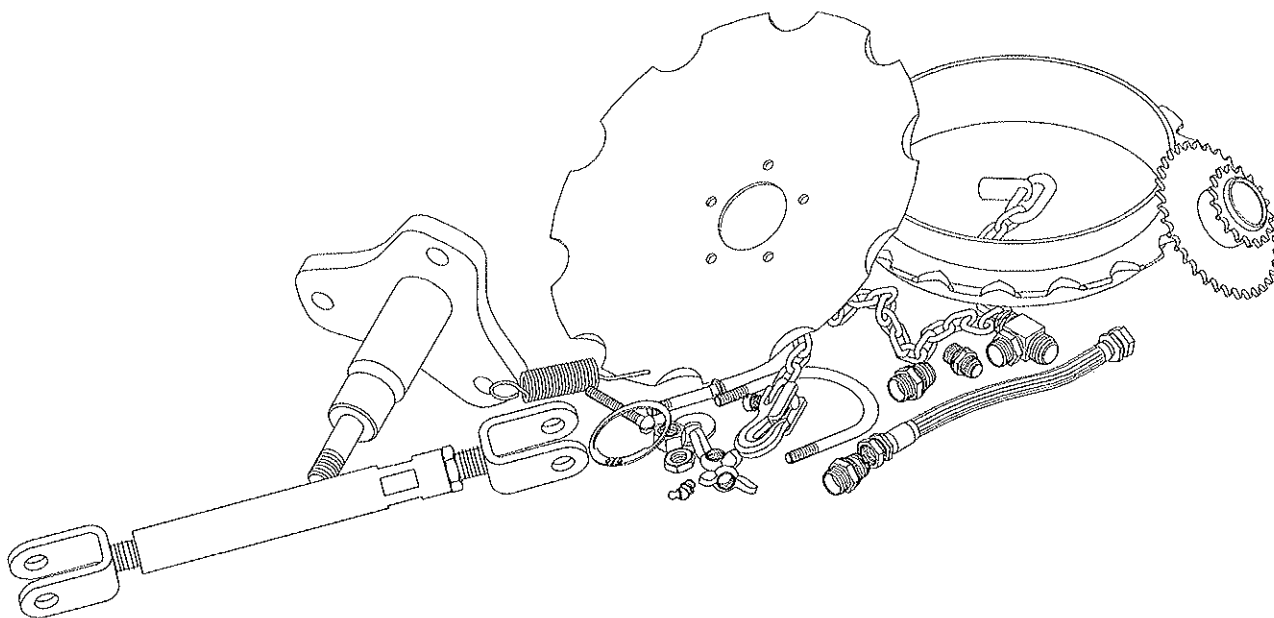
**MODELS: LCS3301 LCS5241 LCS5301  
LCS7241 LCS7301 LCS9241  
LCS9151 LCS11151 LCS13151**

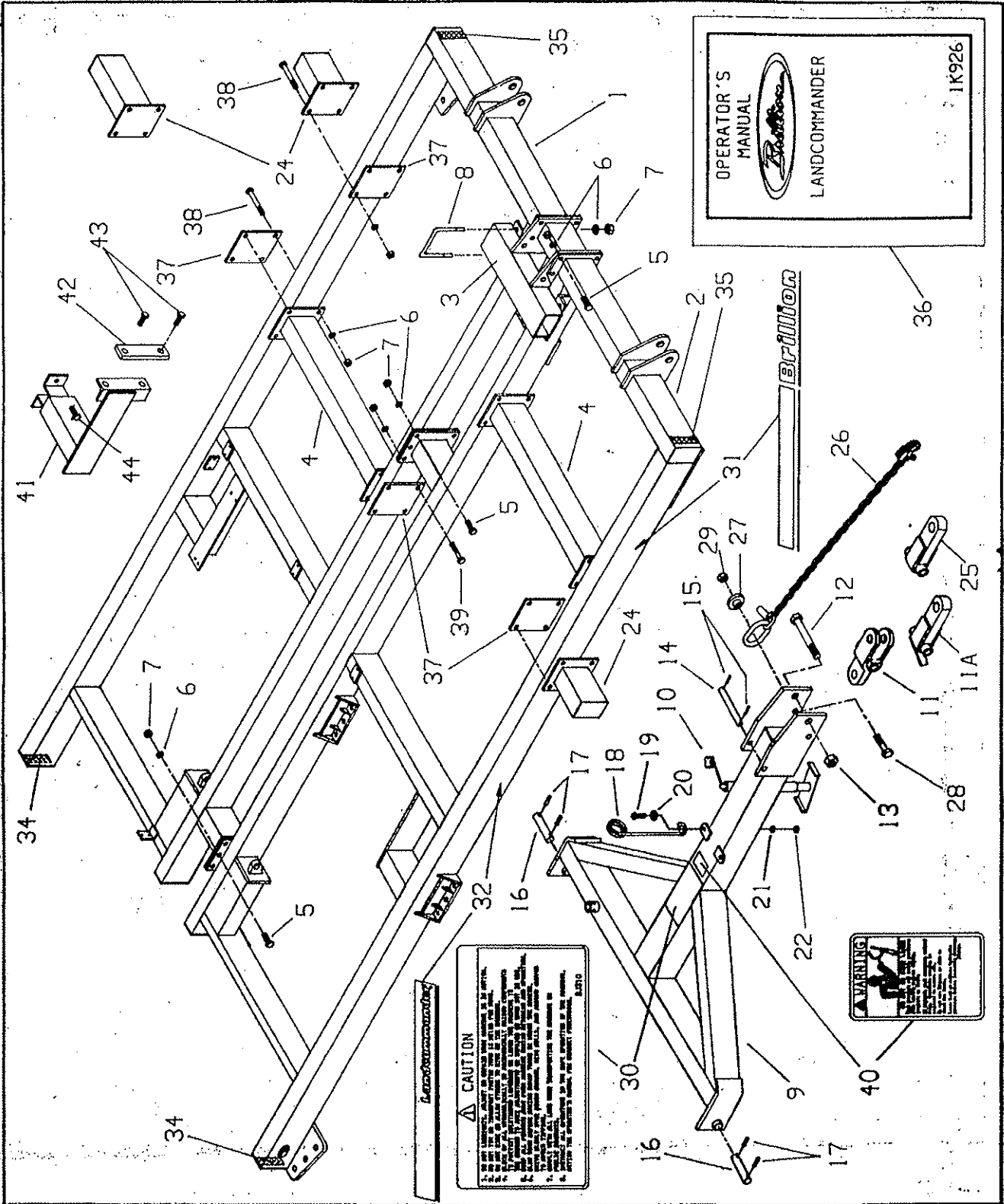
**IMPORTANT!**  
Repairs cannot be purchased  
retail direct from factory.  
Order through your Brillion dealer.

# REPAIR PARTS

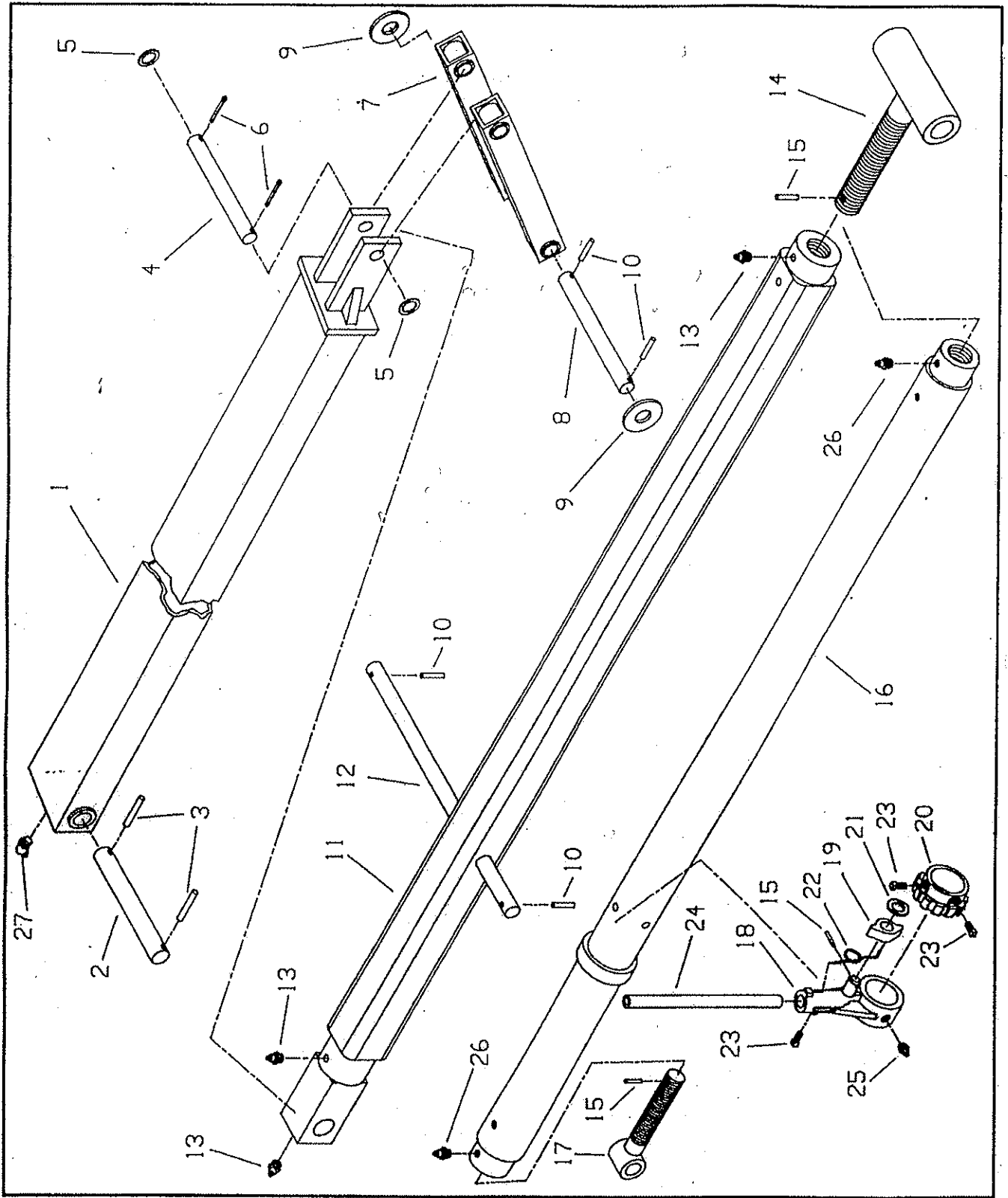
## CONTENTS

Frame and Drawbar .....	2, 3
Drawbar Brace and Leveling Bar .....	4, 5
Center Rockshaft & Components .....	6, 7
Front Disc Assembly .....	8, 9
Rear Disc Assembly - 7 1/2" Spacing .....	10, 11
Rear Disc Assembly -9 " & 15" Spacing .....	12, 13
Scrapers .....	14, 15
Shank Assembly .....	16, 17
Point & Wearstrip Options .....	18, 19
Transport Lock Assembly .....	20, 21
Hydraulics .....	22, 23
Disc Control Kit .....	24, 25
Warning Light Kit .....	36, 27
Cylinder Components .....	28-30
Index .....	31-33

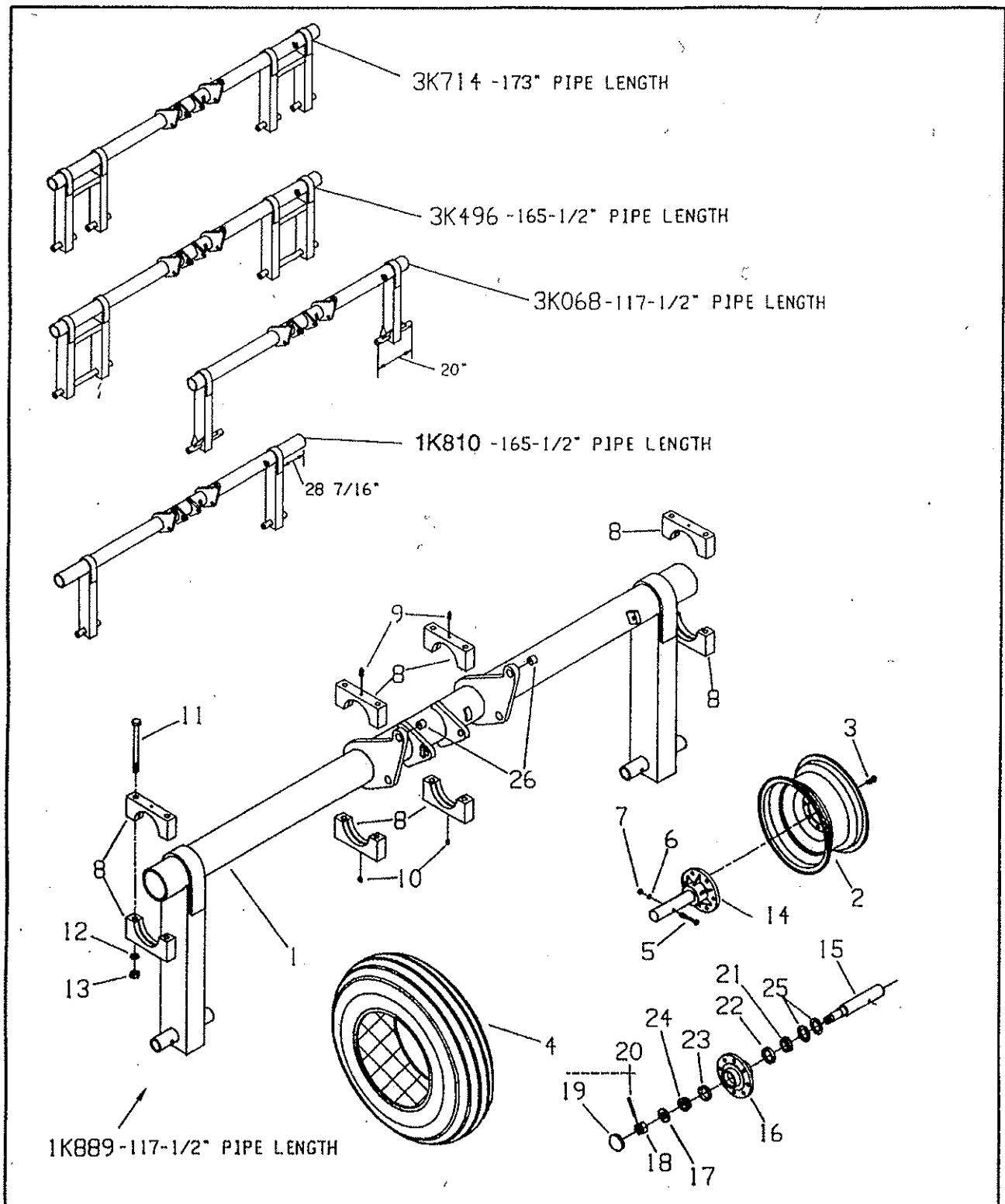




FRAME AND DRAWBAR				
Index No.	Part No.	Description	No. Req'd	Weight
1	1K880	L.H. Frame (3 & 5 Shank Machines) (Shown)	1	1115
	1K790	L.H. Frame (7 & 9 Shank Machines)	1	1727
2	1K881	R.H. Frame (3 & 5 Shank Machines) (Shown)	1	1104
	1K791	R.H. Frame (7 & 9 Shank Machines)	1	1687
3	1K612	Front Bracket	1	95.70
4	1K803	Frame Tube (Not used on Machines w/ 15" shank spacing)	2	88.73
5	4D957	Capscrew, 3/4-10 NC x 2 1/4 Gr. 5	22	.40
6	1C211	Lockwasher, 3/4 Reg.	74	.04
7	1C210	Nut, 3/4 NC Hex	74	.12
8	3J450	U-Bolt, 3/4" x 5 3/4" Deep	6	1.84
9	1K563	Drawbar	1	432.12
10	4J867	Drawbar Jack (Round Body; Prior to serial #175664)	1	19.00
	6K458	Replacement Pin, 9/16" with chain & screw	1	.36
	4K026	Drawbar Jack (Square Body; serial #175664 & up)	1	24.00
	6K459	Replacement Pin, 3/4" with chain	1	.70
	2C864	Cotter Pin, 1/8" x 1"	2	-
11	2J858	Hitch, 1 9/16" hole (Standard Frame Units)	1	26.00
11A	3K959	Hitch (Large Frame Units) 2 1/4" Pin Hole	1	28
12	3J607	Mach. Bolt, 1 1/4-7 NC x 9 1/2	1	3.60
13	2J783	LockNut, 1 1/4-7 NC Hex w/ Nylon Insert	1	.20
14	5J764	Pin, 1 Dia. x 9 1/4	1	2.10
15	5D955	Roll Pin, 5/16 Dia. x 1 3/4	2	-
16	7J599	Pin, 1 7/16 Dia. x 6 3/8	2	3.40
17	6D854	Roll Pin, 1/2 Dia. x 2	4	-
18	6D333	Hose Support	1	1.80
19	5C460	Capscrew, 5/8-11 NC x 2	1	.20
20	1C122	Flat Washer, 5/8	1	.08
21	1B166	Lockwasher, 5/8 Reg.	1	.02
22	1C392	Nut, 5/8-11 NC Hex	1	.07
23	--	----	-	--
24	1K733	Extension, 9"	2	29.50
	1K806	Extension, 14 1/4"	2	38.10
25	3K959	Flat Bar Hitch, (Optional) 2 1/4" Pin Hole	1	28.00
---	1K789	SAFETY CHAIN KIT (Includes items 26-29)	1	15.00
26	1K732	Safety Chain, 20200#	1	10.46
27	1K787	Spool	1	2.01
28	1K788	Bolt, 1-8 NC x 3 3/4, Gr. 5	1	1.08
29	6D306	Stover Nut, 1-8 NC Hex	1	.28
	2K051	DECAL PACKAGE (Includes items 30-35 & 40)	1	-
30	8J310	Decal, Caution	1	-
31	4K039	Decal, BRILLION	2	-
32	4K065	Decal, LANDCOMMANDER	2	-
33	--	----	-	-
34	2J430	Decal, Red Reflective	2	-
35	2J431	Decal, Amber Reflective	2	-
36	1K926	OPERATOR'S MANUAL	1	-
*37	3K469	Plate (Machines built after 8-94)	4	9.98
	3K672	Strap (Machines built prior to 8-94)	8	3.00
38	6D300	Capscrew, 3/4-10NC x 6	16	1.00
39	2D488	Capscrew, 3/4-10NC x 5	16	.80
40	3K706	Decal, Hydraulic Leak	1	-
41	3K862	Bracket (LCS 9151)	2	57.00
42	3K672	Plate	2	3.00
43	1J558	Capscrew, 3/4 x 5" Long	4	1.2
44	1D423	Capscrew, 3/4 x 1 3/4" Long	4	.5

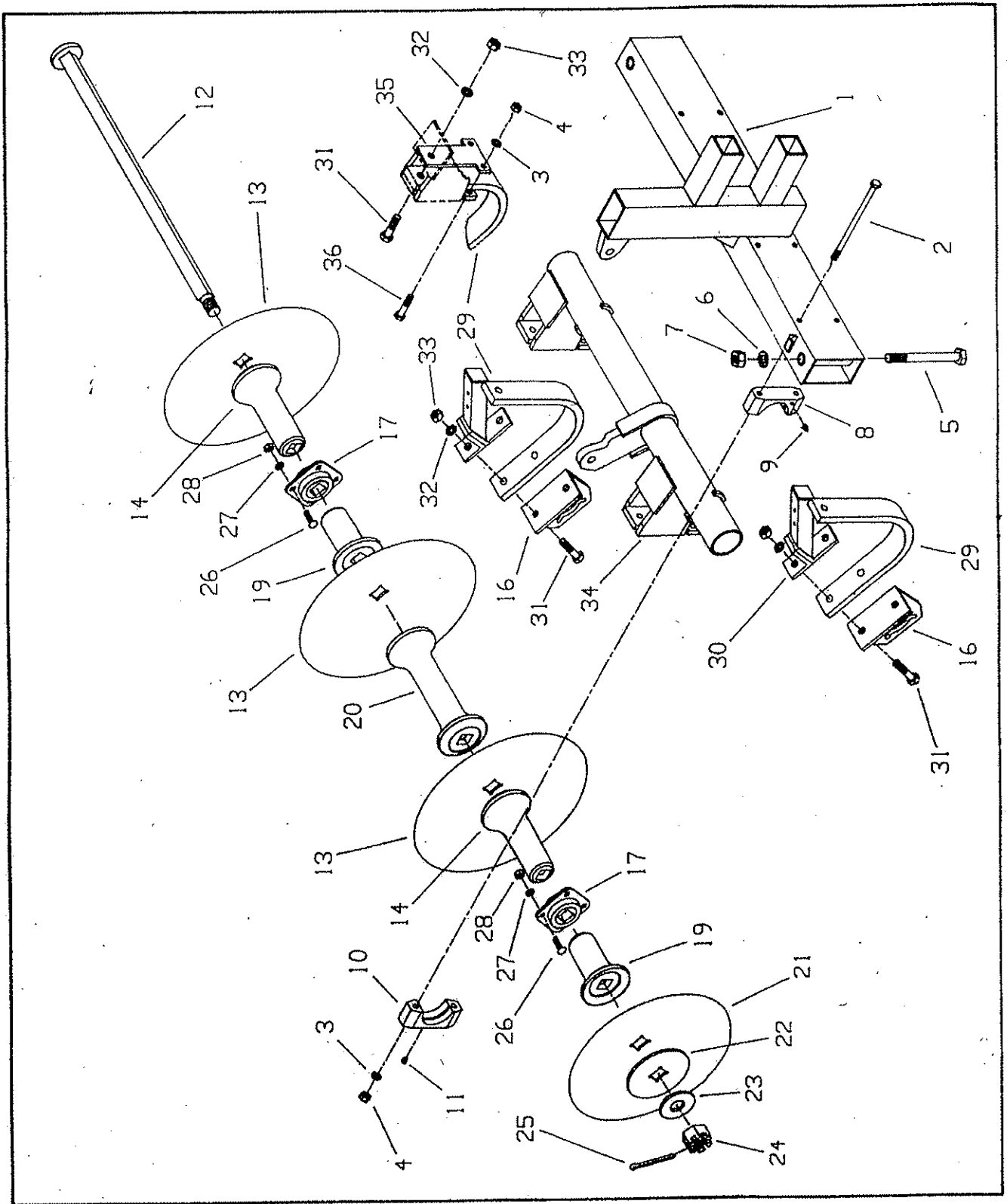


DRAWBAR BRACE AND LEVELING BAR				
Index No.	Part No.	Description	No. Req'd	Weight
1	1K896	Leveling Bar	1	146.79
2	1K903	Pin, 1 1/4 Dia. x 9 9/16	1	3.29
3	9J206	Roll Pin, 5/16 Dia. x 2 1/2	2	-
4	2J153	Pin, 1 Dia. x 9	1	2.00
5	7C076	Machinery Bushing, 1 x 14 Ga.	2	-
6	1C869	Cotter Pin, 1/4 Dia. x 2	2	-
7	1K623	Leveling Stand	1	15.30
8	3J647	Pin, 1 Dia. x 10 1/4	1	2.30
9	1C787	Flat Washer, 1" Std.	2	.19
10	1C659	Roll Pin, 1/4 Dia. x 1 1/2	2	-
	2K910	Drawbar Brace Complete (w/ 1 1/4" L.H. Screw Rod)	}	Items 11 thru 15
	4K576	Drawbar Brace Complete (w/ 1 1/2" R.H. Screw Rod)		
11	2K911	Brace (1 1/4" LH Acme Thread)	1	46.00
	4K565	Brace (1 1/2" RH Acme Thread)	1	46.00
12	2K912	Handle	1	2.50
13	3C142	Grease Fitting, Straight Drive In	3	.01
14	1K775	L.H. Screw Rod (1 1/4-5 Acme 2G LH Thread)	1	4.94
	4K577	R.H. Screw Rod (1 1/2-4 Acme 2G RH Thread)	1	4.94
15	1D604	Roll Pin, 3/16 Dia. x 1 1/2	5	-
16	1K777	Brace - (used Before March, 1993 w/ items 16 thru 27)	1	-
17	1K774	R.H. Screw Rod	1	2.94
18	7C828	Lever	1	3.50
19	7C830	Pawl	1	.33
20	7C829	Ratchet Wheel	1	1.50
21	7C850	Washer	1	.04
22	7C831	Spring	1	.02
23	7C847	Set Screw, 3/8-16 x 5/8 Sq. Head Cup Point	3	.02
24	7C835	Handle	1	1.00
25	1C023	Grease Fitting, #1720 Straight Threaded	1	.01
26	9D923	Grease Fitting, Alemite	2	.01
27	9D693	Grease Fitting, w/65 deg. angle	1	.01

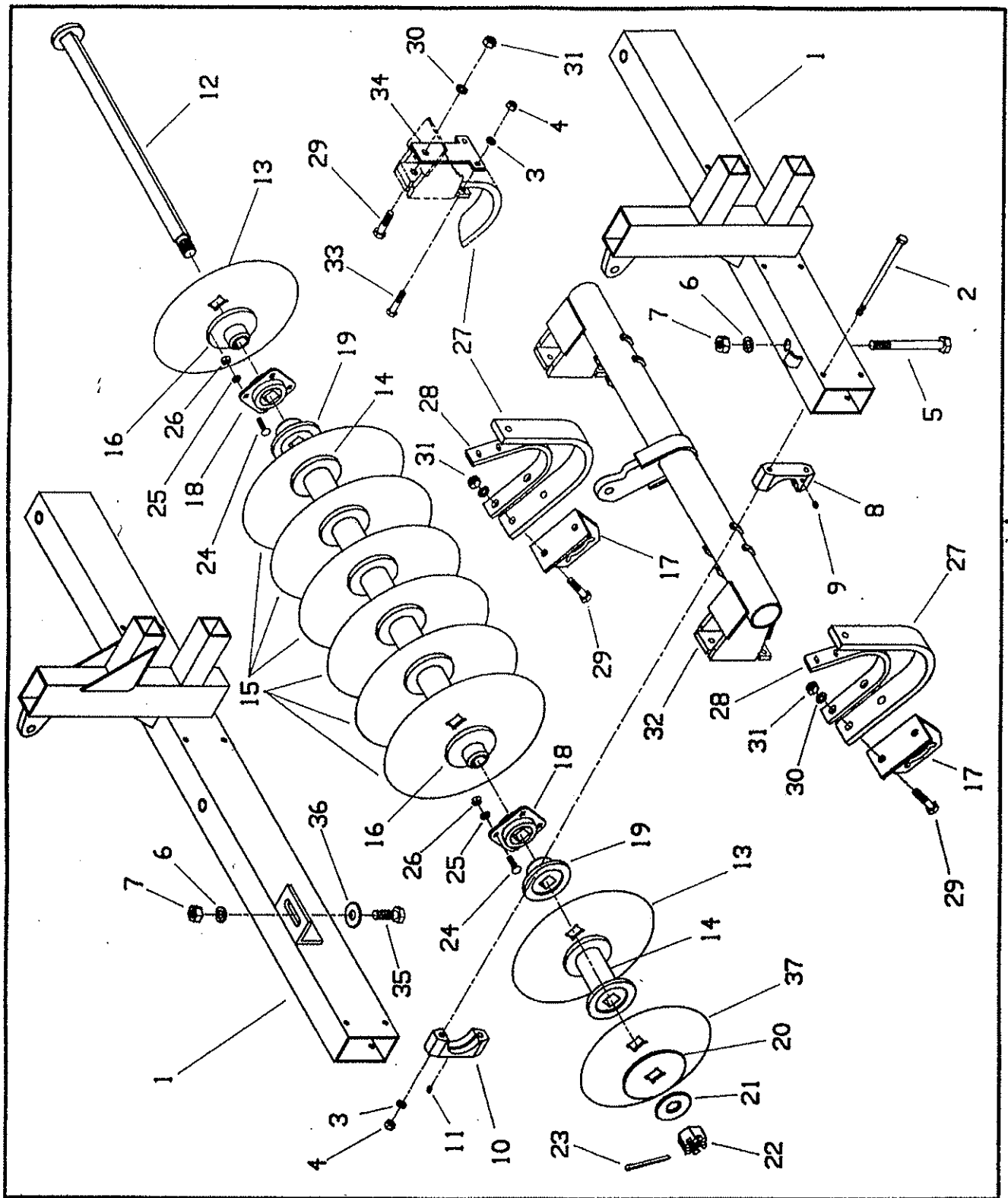


ROCKSHAFT				
Index No.	Part No.	Description	No. Req'd	Weight
1	1K889	Rockshaft, 3 & 5 Shank (Shown)	1	404.14
	1K810	Rockshaft, 7 Shank	1	487.26
		(9 Shank, Prior to 1-1-95)	1	487.26
	3K714	Rockshaft, 9 Shank (After 1-1-95)	1	716.00
	3K068	Rockshaft, (Use on LCS915 models)		418.26
	3K496	Rockshaft, (Use on LCS1113 & LCS1315 models)		716.15
2	5J873	Wheel, 15 x 8 LB, 8 Bolt, (3, 5, and 7 Shank)	2 4	24.00
	3J604	Wheel, W10L-16, 8-Bolt (9 Shank)	4	41.50
3	3J609	Wheel Bolt - 9/16-18UNF x 1 1/8"	16 32	.10
4	8J971	Tire, 11L-15 10 Ply	2 4	44.00
5	5D871	Capscrew, 1/2-13 NC x 3 1/2	2 4	.23
6	1C109	Lockwasher, 1/2 Reg.	2 4	.01
7	1C390	Nut, 1/2-13 NC Hex	2 4	.04
8	3J598	Bearing	8 12	11.00
9	2C643	Grease Fitting	4 6	.10
10	9D693	Grease Fitting	4 6	.10
11	3J578	Capscrew, 3/4-10 NC x 9, Gr. 5	8 12	1.22
12	1C211	Lockwasher, 3/4 Reg.	8 12	.04
13	1C210	Nut, 3/4 NC Hex	8 12	.12
14	1K588	Hub & Spindle Assembly-Complete		19.40
15	1K589	Spindle	2 4	7.70
16	3J394	Wheel Hub	2 4	10.50
17	3J397	Flat Washer	2 4	.10
18	3C173	Slotted Nut, 3/4-16 NF	2 4	.12
19	6D337	Hub Cap	2 4	.20
20	3C350	Cotter Pin	2 4	-
21	3D531	Bearing Cone	2 4	.20
22	3D532	Bearing Cup	2 4	.20
23	5C913	Bearing Cup	2 4	.10
24	5C914	Bearing Cone	2 4	.20
25	3J396	Seal	4 8	.10
26	1K892	Bushing	2 2	.18
NOTE: Under "No. Req'd," items listed in first column are for 3 & 5 shank machines, items listed in second column are for 7 & 9 shank machines.				



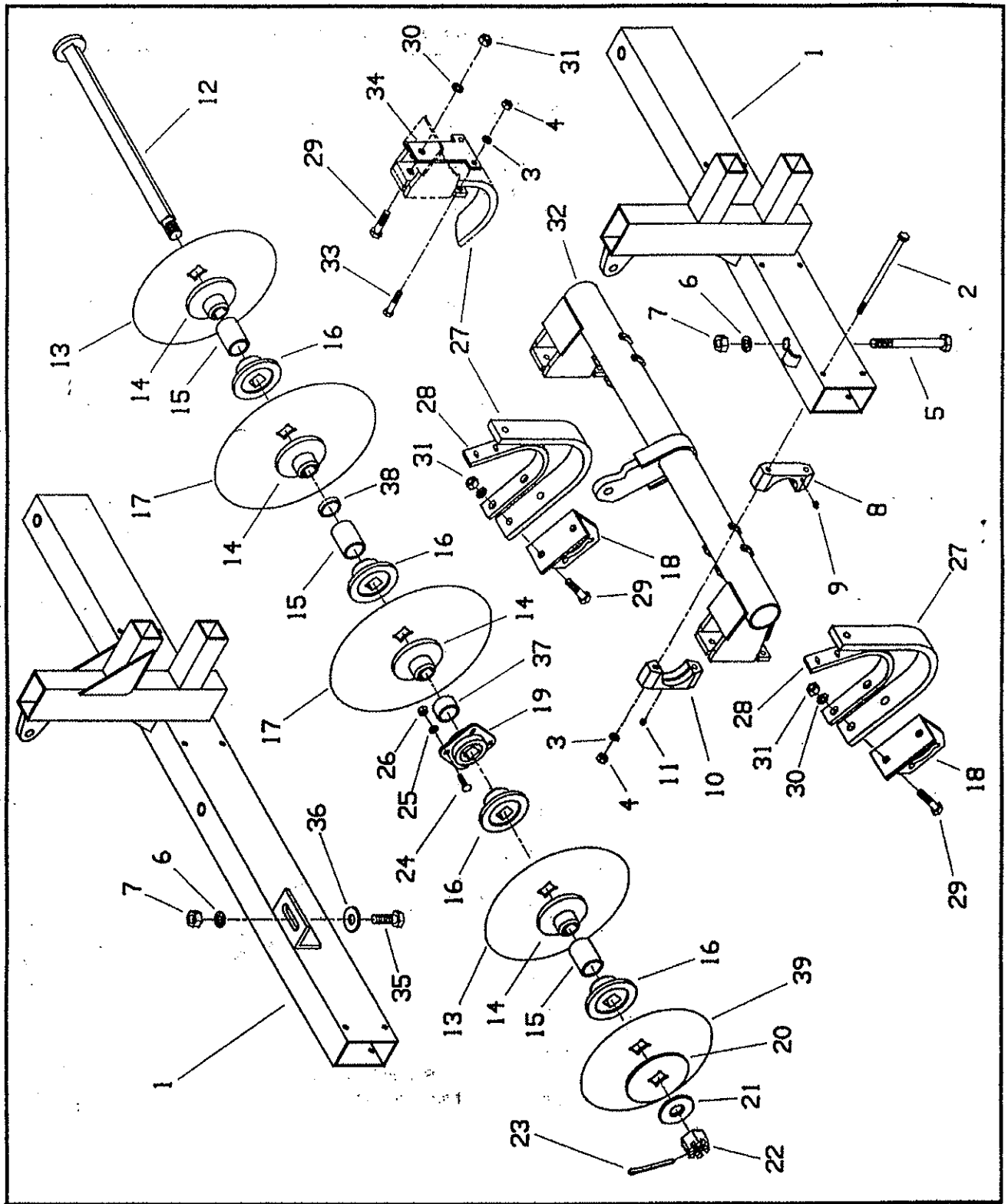


FRONT DISK ASSEMBLY				
Index No.	Part No.	Description		Weight
1	1K547	Front R.H. Beam-51 1/2" (Shown)		113.60
	1K546	Front L.H. Beam-51 1/2" (Opposite)		113.60
	1K986	Front R.H. Beam-81 1/2"		164.98
	1K985	Front L.H. Beam-81 1/2"		164.98
2	8D400	Capscrew, 5/8-11 NC x 10 1/2		.91
3	1B166	Lockwasher, 5/8 Reg.		.02
4	1C392	Nut, 5/8-11 NC Hex		.07
5	1K557	Capscrew, 1-8 NC x 9 1/2 Gr. 5		2.10
6	7D919	Lockwasher, 1 Reg.		.10
7	4D414	Nut, 1-8 NC Hex		.27
8	8D734	Bearing		4.50
9	7C414	Grease Fitting		.10
10	7D583	Bearing		5.30
11	3C491	Grease Fitting		.10
12	6J062	Shaft Weldment-48"		32.50
	7J896	Shaft Weldment-63"		42.00
	7J921	Shaft Weldment-78"		51.56
	1K991	Shaft Weldment-93"		61.13
13	1K514	Disc Blade-22"		28.05
14	4K100	Convex Spool Half		13.50
15	----	----		--
16	1K520	Bearing Hanger		8.00
17	1K521	Bearing		3.00
18	----	----		--
19	4K102	Concave Spool Half		10.00
20	4K101	Spool, 15"		26.00
21	2K400	Disc Blade - 1/4" x 20" Dia.		22.00
22	6J057	End Washer		3.60
23	7D795	Washer, 1 1/2 SAE		.10
24	2J716	Slotted Nut, 1 1/2-6 NC Hex		.35
25	6D049	Cotter Pin, 1/4 Dia. x 2 1/2		-
26	9J559	Carriage Bolt, 1/2-13 NC x 1 1/2		.10
27	1C109	Lockwasher, 1/2 Reg.		.01
28	1C390	Nut, 1/2-13 NC Hex		.04
29	1K909	Bearing Flex Support		24.22
30	3K037	Scraper Bracket (After 6-1-93 for 1/2" bolts)		9.18
	1K911	Scraper Bracket		9.18
31	6D742	Capscrew, 3/4-10 NC x 3, Gr. 5		.38
32	1C211	Lockwasher, 3/4 Reg.		.04
33	1C210	Nut, 3/4-10 NC Hex		.12
34	1K907	Disc Rockshaft, R.H.-45"		107.50
	1K906	Disc Rockshaft, L.H.-45"		107.50
	1K908	Disc Rockshaft-51 1/2" (Shown on page 10)		107.50
	1K999	Disc Rockshaft, R.H.-81 1/2"		159.90
	1K998	Disc Rockshaft, L.H.-81 1/2"		159.90
35	1K910	Plate		2.72
36	8C065	Capcrew, 5/8-11 NC x 3		.31



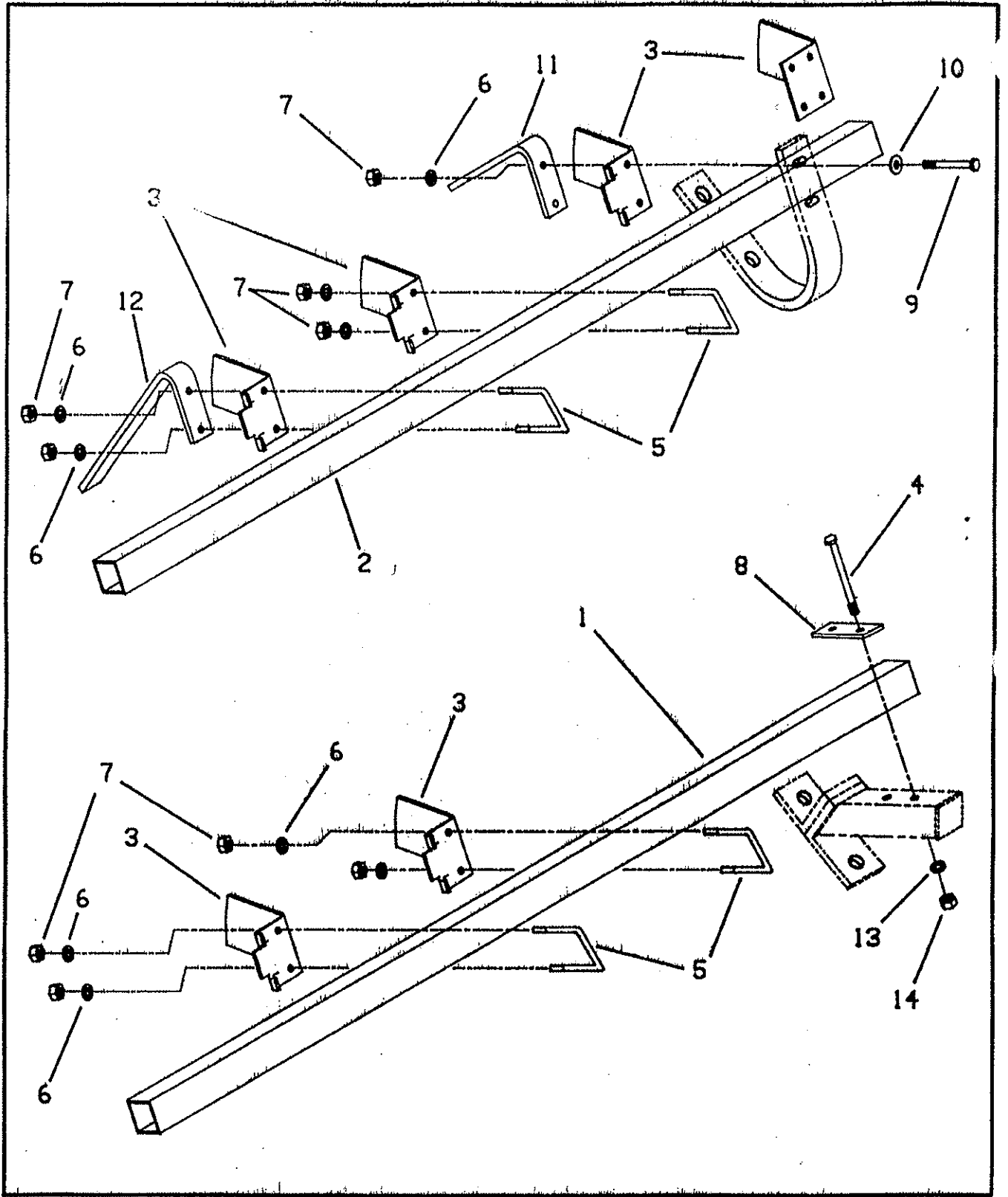
**REAR DISK ASSEMBLY - 7 1/2" SPACING**

Index No.	Part No.	Description	Weight
1	1K549	Rear R.H. Beam-57" (Shown)	121.60
	1K548	Rear L.H. Beam-57" (Opposite)	121.60
	1K988	Rear R.H. Beam-87" (Shown)	175.00
	1K987	Rear L.H. Beam-87" (Opposite)	175.00
2	8D400	Capscrew, 5/8-11 NC x 10 1/2	.91
3	1B166	Lockwasher, 5/8 Reg.	.02
4	1C392	Nut, 5/8-11 NC Hex	.07
5	1K557	Capscrew, 1-8 NC x 9 1/2 Gr. 5	2.10
6	7D919	Lockwasher, 1 Reg.	.10
7	4D414	Nut, 1-8 NC Hex	.27
8	8D734	Bearing	4.50
9	7C414	Grease Fitting	.10
10	7D583	Bearing	5.30
11	3C491	Grease Fitting	.10
12	7J896	Shaft Weldment-63"	42.00
	7J921	Shaft Weldment-78"	51.56
	1K991	Shaft Weldment-93"	61.13
	1K992	Shaft Weldment-108"	70.30
13	6J593	Disc Blade-18"	12.60
14	5J863	Spool-7 1/2"	18.50
15	6J055	Disc Blade-20"	15.60
16	1K515	Convex Spool Half	9.20
17	1K520	Bearing Hanger	8.00
18	1K521	Bearing	3.00
19	1K516	Concave Spool Half	9.20
20	6J057	End Washer	3.60
21	7D795	Washer, 1 1/2 SAE	.10
22	2J716	Slotted Nut, 1 1/2-6 NC Hex	.35
23	6D049	Cotter Pin, 1/4 Dia. x 2 1/2	-
24	9J559	Carriage Bolt, 1/2-13 NC x 1 1/2	.10
25	1C109	Lockwasher, 1/2 Reg.	.01
26	1C390	Nut, 1/2-13 NC Hex	.04
27	1K909	Bearing Flex Support	24.22
28	1K523	Scraper Bracket	8.10
29	6D742	Capscrew, 3/4-10 NC x 3, Gr. 5	.38
30	1C211	Lockwasher, 3/4 Reg.	.04
31	1C210	Nut, 3/4-10 NC Hex	.12
32	1K908	Disc Rockshaft-51 1/2"	107.50
	1K999	Disc Rockshaft, R.H.-81 1/2"	159.90
	1K998	Disc Rockshaft, L.H.-81 1/2"	159.90
33	8C065	Capcrew, 5/8-11 NC x 3	.31
34	1K910	Plate	2.72
35	3J608	Capscrew, 1-8 x 3, Gr. 5 (7 & 9 Shank Machines Only)	.91
36	1C787	Flat Washer, 1" Std. (7 & 9 Shank Machines Only)	.19
37	6J056	Disc Blade-16"	8.80



**REAR DISK ASSEMBLY - 9" & 15" SPACING**

Index No.	Part No.	Description	Weight
1	1K549	Rear R.H. Beam-57" (Shown)	121.60
	1K548	Rear L.H. Beam-57" (Opposite)	121.60
	1K988	Rear R.H. Beam-87" (Shown)	175.00
	1K987	Rear L.H. Beam-87" (Opposite)	175.00
2	8D400	Capscrew, 5/8-11 NC x 10 1/2	.91
3	1B166	Lockwasher, 5/8 Reg.	.02
4	1C392	Nut, 5/8-11 NC Hex	.07
5	1K557	Capscrew, 1-8 NC x 9 1/2 Gr. 5	2.10
6	7D919	Lockwasher, 1 Reg.	.10
7	4D414	Nut, 1-8 NC Hex	.27
8	8D734	Bearing	4.50
9	7C414	Grease Fitting	.10
10	7D583	Bearing	5.30
11	3C491	Grease Fitting	.10
12	2K065	Shaft Weldment-66"	45.00
	2K066	Shaft Weldment-84"	56.74
	2K327	Shaft Weldment-94 1/2" — 9" Disc Spacing	63.43
	2K328	Shaft Weldment-112 1/2"	74.91
	7J896	Shaft Weldment-63"	42.00
	7J921	Shaft Weldment-78" — 15" Disc Spacing	51.56
	1K991	Shaft Weldment-93"	61.13
	1K992	Shaft Weldment-108"	70.30
13	6J593	Disc Blade-18" (9" Disc Spacing)	12.60
	2K400	Disc Blade-20" (15" Disc Spacing)	21.50
14	1K515	Convex Spool Half	9.20
15	2K067	Spacer - 3 1/2" (9" Disc Spacing)	1.82
	1K519	Spacer - 9 3/8" (15" Disc Spacing)	5.00
16	1K516	Concave Spool Half	9.20
17	6J055	Disc Blade-20" (9" Disc Spacing)	15.60
	1K514	Disc Blade-22" (15" Disc Spacing)	28.1
18	1K520	Bearing Hanger	8.00
19	1K521	Bearing	3.00
20	6J057	End Washer	3.60
21	7D795	Washer, 1 1/2 SAE	.10
22	2J716	Slotted Nut, 1 1/2-6 NC Hex	.35
23	6D049	Cotter Pin, 1/4 Dia. x 2 1/2	-
24	9J559	Carriage Bolt, 1/2-13 NC x 1 1/2	.10
25	1C109	Lockwasher, 1/2 Reg.	.01
26	1C390	Nut, 1/2-13 NC Hex	.04
27	1K909	Bearing Flex Support	24.22
28	1K523	Scraper Bracket	8.10
29	6D742	Capscrew, 3/4-10 NC x 3, Gr. 5	.38
30	1C211	Lockwasher, 3/4 Reg.	.04
31	1C210	Nut, 3/4-10 NC Hex	.12
32	1K908	Disc Rockshaft-51 1/2"	107.50
	1K999	Disc Rockshaft, R.H.-81 1/2"	159.90
	1K998	Disc Rockshaft, L.H.-81 1/2"	159.90
33	8C065	Capcrew, 5/8-11 NC x 3	.31
34	1K910	Plate	2.72
35	3J608	Capscrew, 1-8 x 3, Gr. 5 (7 & 9 Shank Machines Only)	.91
36	1C787	Flat Washer, 1" Std. (7 & 9 Shank Machines Only)	.19
37	2K068	Spacer - 1 1/2" (9" Disc Spacing)	.78
	1K517	Spacer - 2 3/8" (15" Disc Spacing)	1.30
	1K518	Spacer - 5" (15" Disc Spacing)	2.6
38	2K326	Spacer - 1/2" (9" Disc Spacing, 7 & 9 Shank Machines Only - Between Middle & Outer Bearings)	2.0
39	6J056	Disc Blade-16" (9" Disc Spacing)	8.80
	6J593	Disc Blade-18" (15" Disc Spacing)	12.60



SCRAPERS					
Index No.	Part No.	Description		Weight	
1	1K551	<b>Front Scraper Tubes</b> Scraper Tube-49" (LCS3301 & LCS5241)		12.74	
	2K119	Scraper Tube-64" (LCS5301)		16.60	
	1K527	Scraper Tube-80" (LCS7241)		20.33	
	2K009	Scraper Tube-95 1/2" (LCS7301 & LCS9241)		23.89	
			<b>Rear Scraper Tubes - 7 1/2" Disc Spacing</b>		
2	2K119	Scraper Tube-64" (LCS3301 & LCS5241)		16.60	
	1K527	Scraper Tube-80" (LCS5301)		20.33	
	2K009	Scraper Tube-95 1/2" (LCS7241)		23.89	
	2K122	Scraper Tube-113 1/2" (LCS7301 & LCS9241)		28.47	
			<b>Rear Scraper Tubes - 9" Disc Spacing</b>		
	1K006	Scraper Tube-68 3/4" (LCS3301 & LCS5241)		17.68	
	2K072	Scraper Tube-86" (LCS5301)		22.36	
	2K009	Scraper Tube-95 1/2" (LCS7241)		23.89	
	2K122	Scraper Tube-113 1/2" (LCS7301 & LCS9241)		28.47	
	3	1K525	Scraper, R.H. (used Right side rear/left side front)		3.00
1K524		Scraper, L.H. (used Left side rear/right side front)		3.00	
4	2K074	Scraper, R.H. - 4 Hole (Right side rear-used by Brg. Hangers)		3.00	
	2K073	Scraper, L.H. - 4 Hole (Left side rear-used by Brg. Hangers)		3.00	
5	1C266	Capscrew, 1/2-13 NC x 5 1/2, Gr. 5 (After 6-1-93)		.33	
	8C909	Capscrew, 3/8-16 NC x 5, Gr. 5		.17	
6	8J015	U-Bolt, 3/8"		.21	
7	1C183	Lock Washer, 3/8 Reg.		.01	
8	1C277	Nut, 3/8 NC Hex		.02	
9	3K039	Plate (After 6-1-93 for 1/2" bolts)		.81	
	1K526	Plate		.40	
10	6D065	Capscrew, 3/8-16 NC x 3 1/2, Gr. 5		.12	
	2K702	Capscrew, 3/8-16 NC x 4, Gr. 5 (included with clod buster kit)			
11	1C182	Flat Washer, 3/8 Std.		.01	
12	2K039	Clod Buster Scraper (Optional) (shortened, used by Brg. Hangers)		1.94	
13	2K038	Clod Buster Scraper (Optional)		2.79	
14	1C109	Lock Washer, 1/2 Reg.		.01	
	1C390	Nut, 1/2-13NC Hex			
		<b>OPTIONS</b>			
		<b>Front Gangs</b>			
	2K860	Clod Buster Kit (LCS3301 & LCS5241)		18.18	
	2K861	Clod Buster Kit (LCS5301)		24.24	
	2K862	Clod Buster Kit (LCS7241)		30.30	
	2K863	Clod Buster Kit (LCS7301 & LCS9241)		36.36	
		<b>Rear Gangs</b>			
	2K040	Clod Buster Kit (LCS3301 & LCS5241)		42.00	
	2K041	Clod Buster Kit (LCS5301)		53.00	
	2K042	Clod Buster Kit (LCS7241)		63.00	
	2K043	Clod Buster Kit (LCS7301 & LCS9241)		74.00	

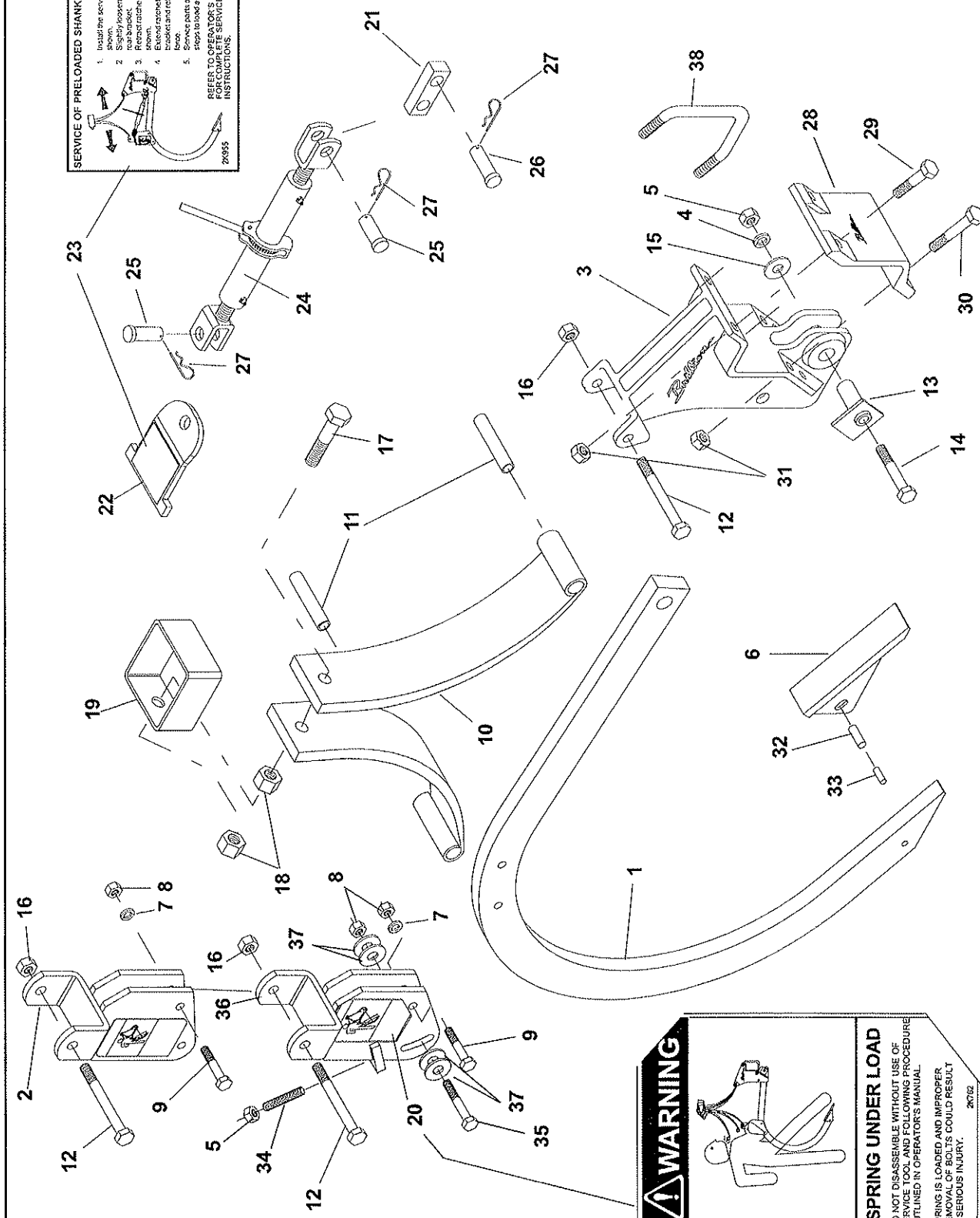


**SERVICE OF PRELOADED SHANK ASSEMBLY**

1. Install the service tool as shown.
2. Slightly loosen bottom bolts of rear bracket.
3. Retract roller to move bolt down.
4. Push roller to pull rear bracket and reverse spring loose.
5. Service parts and reverse steps to load assembly.

REFERS TO OPERATOR'S MANUAL FOR SERVICE & SAFETY INSTRUCTIONS.

26955

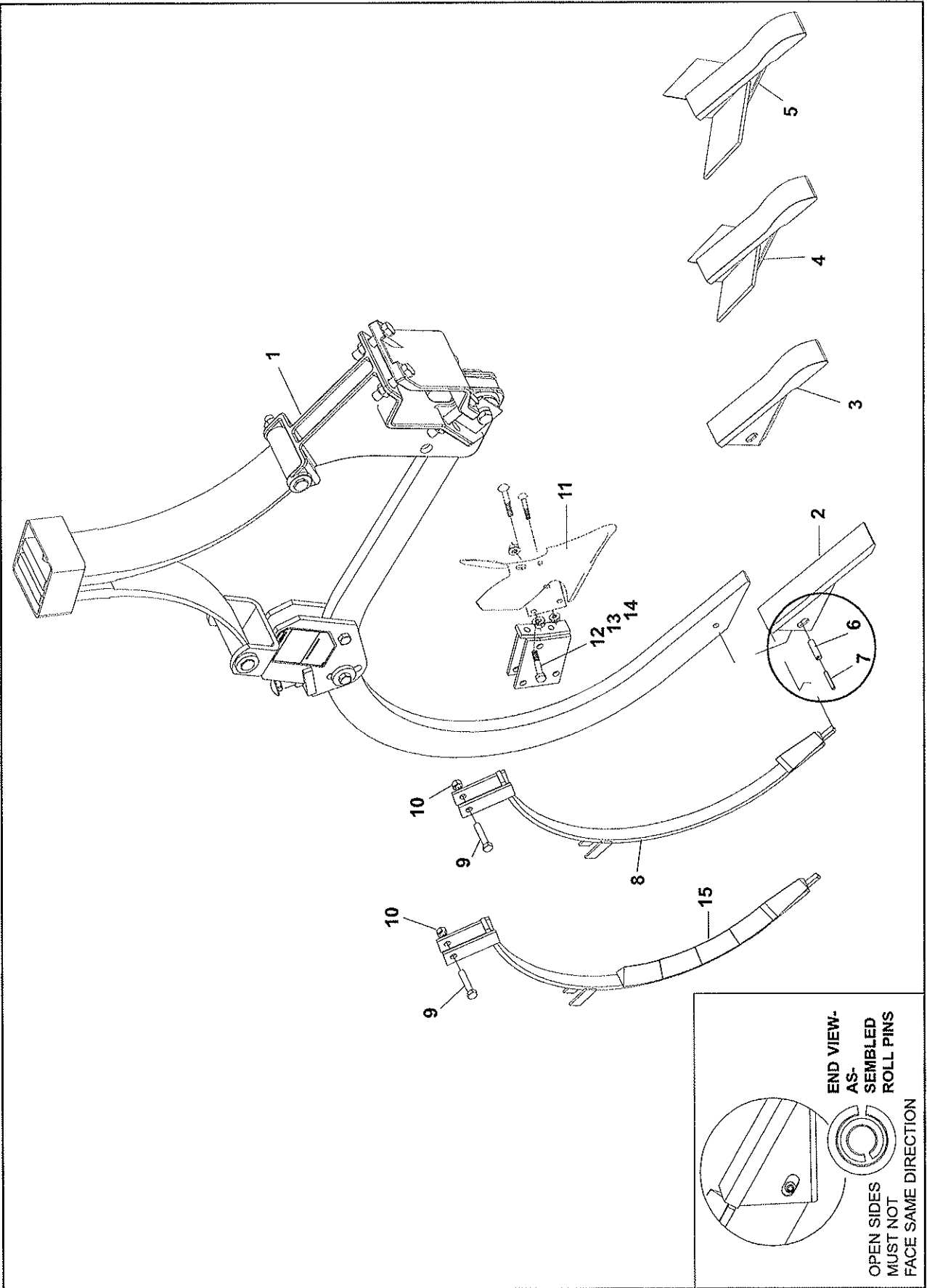


**WARNING**

**SPRING UNDER LOAD**  
DO NOT DISASSEMBLE WITHOUT USE OF SERVICE TOOL AND FOLLOWING PROCEDURE OUTLINED IN OPERATOR'S MANUAL.  
SPRING IS LOADED AND IMPROPER REMOVAL OF BOLTS COULD RESULT IN SERIOUS INJURY.

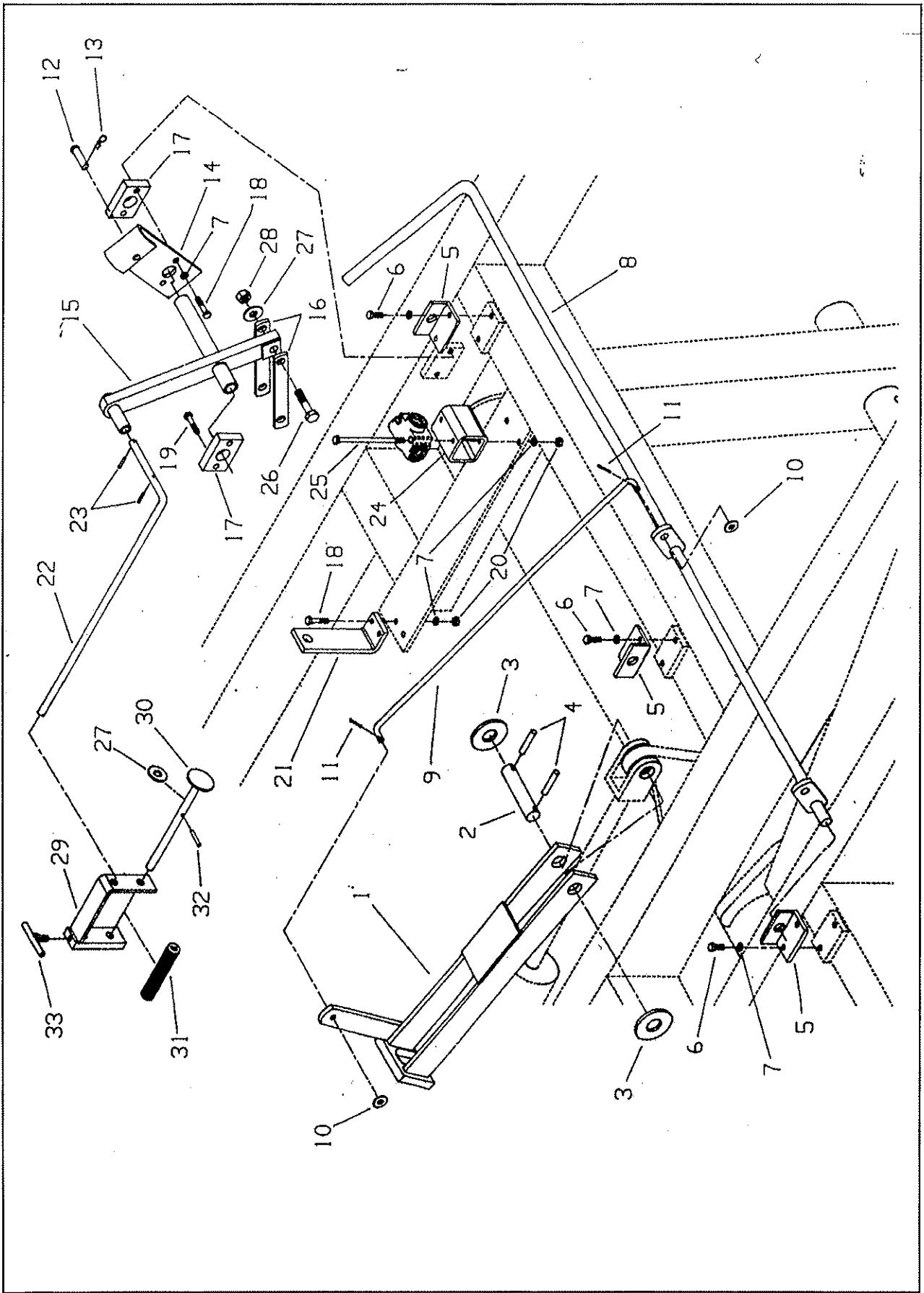
26702

SHANK ASSEMBLY			
Index No.	Part No.	Description	Weight
1	1K501	Parabolic Shank	80.25
2	2K534	Rear Bracket	19.78
3	2K919	Front Bracket	45.00
4	1C211	Lockwasher, 3/4 Reg.	.04
5	1C210	Nut, 3/4-10 NC Hex	.12
6	--	Point - See Following Page For Options	
7	1B166	Lockwasher, 5/8 Reg.	.02
8	1C392	Nut, 5/8-11 NC Hex	.07
9	7D189	Capscrew, 5/8-11 NC x 3 1/4, Gr. 5	.30
10	2K060	Leaf Spring	28.50
11	1K513	Bushing	.50
12	6D302	Capscrew, 3/4-10 NC x 7, Gr. 5	.88
13	2K114	Pin - 3 1/4" Lg.	1.28
14	2D488	Capscrew, 3/4-10 NC x 5, Gr. 5	.71
15	1C133	Flat Washer, 3/4" Std.	.11
16	6C729	Stover Nut, 3/4-10 NC Hex	.12
17	2K537	Machine Bolt, 1-8 NC x 4 1/2, Gr. 8	1.30
18	6D306	Stover Nut, 1-8 NC Hex	.27
19	2K536	Tube	4.30
20	2K762	Decal, WARNING	-
<hr/>			
	2K951	Preloaded Shank Service Kit	21.51
21	2K952	Lug	1.32
22	2K954	Plate Assembly	4.47
23	2K955	Decal, Service Instructions	-
24	1K618	Ratchet Jack, 6" Stroke (Same as Disc Control Ratchet)	15.00
25	8D099	Clevis Pin, 1" Dia x 2 1/2	.60
26	2D799	Clevis Pin, 1" Dia x 3	.72
27	1D594	Hairpin Cotter, .178 x 3 9/16	-
<hr/>			
28	4K028	Shank Clamp [3K900] w/ Hdw.	11.20
29	4K414	Capscrew, 3/4 -16NF x 3 1/2" Long Gr. 8	.50
30	4K415	Capscrew, 3/4 -16NF x 4 1/2" Long Gr. 8	.50
31	6D918	Locknut, 3/4-16NF Gr. C	.12
32	6D854	Roll Pin, 1/2" x 2"	-
33	4C858	Roll Pin, 5/16" x 2", Plated	-
34	6K176	Set Screw, 3/4"	.30
35	8C882	Capscrew, 5/8-11NC x 4" Long	.35
36	6K173	Rear Bracket	23.60
37	1C122	Flat Washer, 5/8"	.08
38	1K506	U-Bolt, 6 x 4Tube Mount	.96

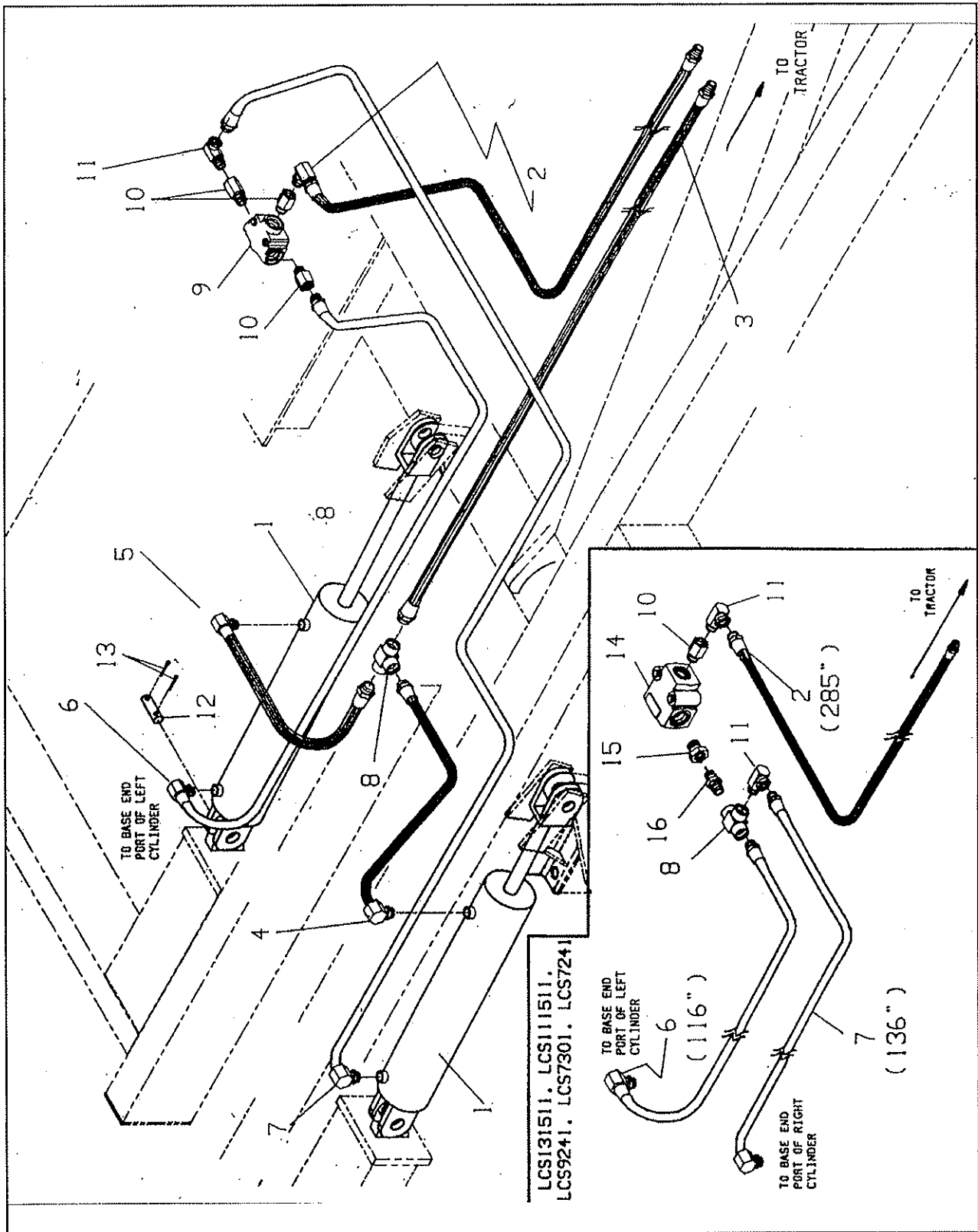


**POINT AND WEARSTRIP OPTIONS**

Index No.	Part No.	Description	Weight
1	1K708	Complete Shank Assembly	240.00
2	3K820	Standard Point [3K806] w/ Hdw.	7.20
3	7K366	7" Winged Steel Point [7K363] w/ Hdw.	12.30
4	7K365	2 1/2" Steel Point [7K632] w/ Hdw.	11.50
5	7K367	10" Winged Steel Point [7K364] w/ Hdw.	16.30
6	6D854	Roll Pin, 1/2 x 2"	--
7	4C858	Roll Pin, 5/16 x 2" Plated	--
8	6K585	Wear Strip [7K961] w/ Hdw.	6.00
9	7C875	Capscrew - 1/2-13NC x 2 1/2	.17
10	5C392	Stover Nut - 1/2-13NC Hex	.04
11	2K118	Cover Board [2K864] w/ Hdw.	9.50
12	1D445	Capscrew - 5/8-11NC x 2 1/2, Gr.5	.30
13	1B166	Lock Washer - 5/8"	.02
14	1C392	Nut - 5/8-11NC Hex	.07
15	3K819	V-Shaped Alloy Wearstrip [3K809] w/ Hdw.	12.20



TRANSPORT LOCK				
Index No.	Part No.	Description	No. Req'd	Weight
1	1K930	Transport Lock	2	12.98
2	5J499	Pin, 1 Dia. x 4 1/2	2	.95
3	1C787	Flat Washer, 1" Std.	4	.19
4	4C858	Roll Pin, 5/16 Dia. x 2	4	-
5	1K934	Angle	3	.64
6	7C858	Capscrew, 5/16-18 NC x 3/4	6	.02
7	1C362	Lockwasher, 5/16 Reg.	14	-
8	1K933	Control Rod, 62" (3 & 5 Shank Machines)	1	10.1
	1K977	Control Rod, 91 3/4" (7 & 9 Shank Machines)	1	13.82
9	1K935	Rod	2	.86
10	1C182	Flat Washer, 3/8" Std.	4	.01
11	2C864	Cotter Pin, 1/8 Dia. x 1	4	-
12	1K936	Clevis Pin, 3/8 Dia. x 2	1	.07
13	6J448	Hairpin Cotter, .120 Dia. x 2 3/8	1	-
14	1K937	Holder	1	2.25
15	1K941	Control Arm	1	5.00
16	1K942	Strap	2	.53
17	1K943	Block	2	.86
18	7D077	Capscrew, 5/16-18 NC x 1 1/4	4	.03
19	9D796	Capscrew, 5/16-18 NC x 1 1/2	2	.04
20	1C385	Nut, 5/16-18 NC Hex	6	.01
21	1K944	Guide	1	1.57
22	1K945	Rod	1	1.49
23	1C272	Roll Pin, 1/8 Dia. x 3/4	2	-
24	1K946	Tube	1	1.73
25	1K947	Capscrew, 5/16-18 NC x 5 1/2	2	.15
26	1J486	Capscrew, 1/2-13 NC x 2 1/4	2	.16
27	1C120	Flat Washer, 1/2 Std.	5	.04
28	5C392	Stover Nut, 1/2-13 NC Hex	2	.04
29	1K830	Plunger Bracket	1	1.30
30	1K826	Plunger	1	.70
31	1K825	Spring	1	.66
32	7C870	Roll Pin, 3/16 Dia. x 1/8	1	-
33	1K652	Tee Handle	1	.14

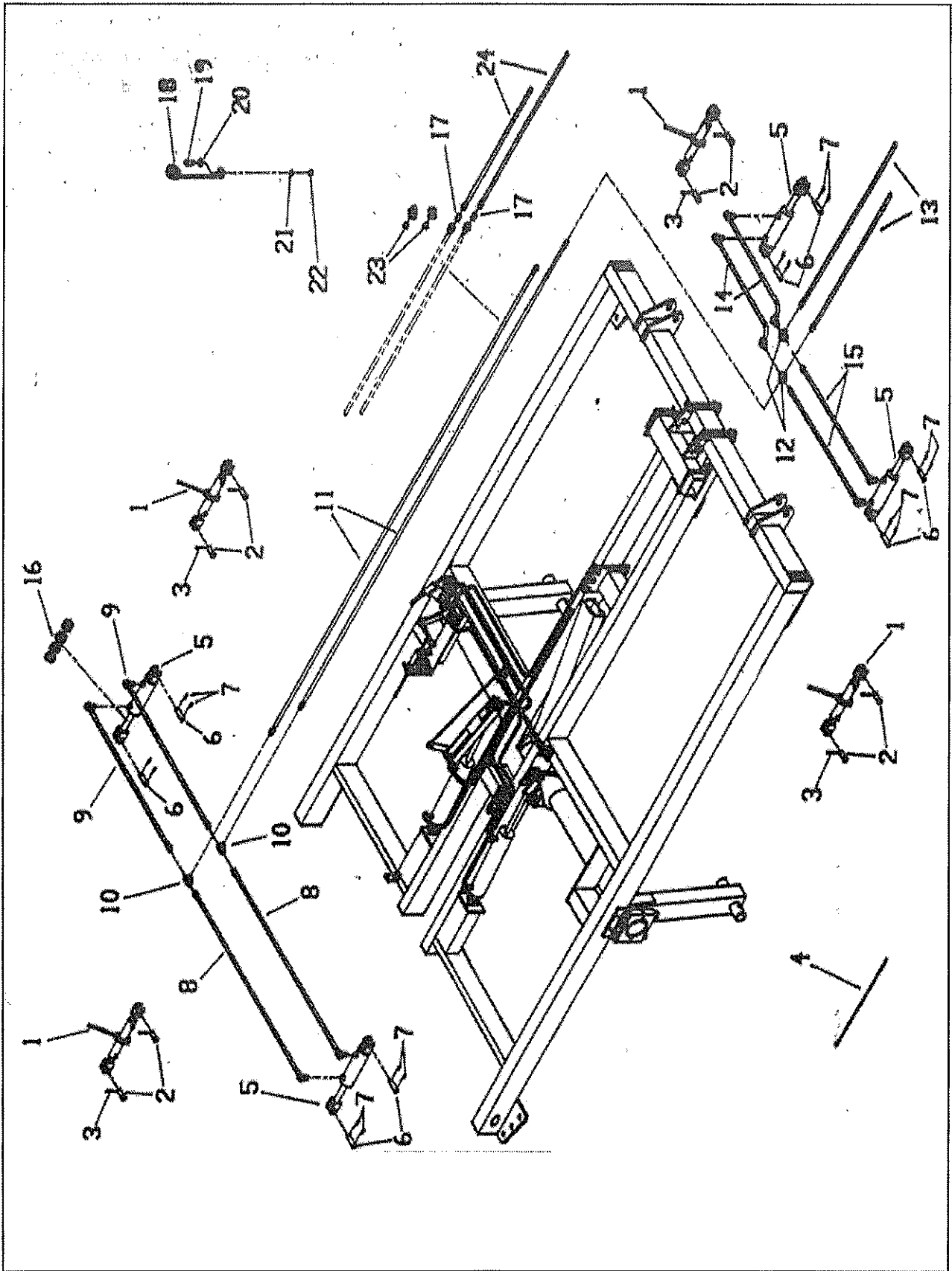


HYDRAULICS					
Index No.	Part No.	Description	No. Req'd		Weight
1	9D524	Hydraulic Cylinder, 3 1/2 x 16	1		43.00
	9D731	Hydraulic Cylinder, 4 x 16	1		45.20
2	8D158	Hose, 252" long w/90 degree fitting	1		5.93
	1K981	Hose, 285" long	1		6.70
3	7J346	Hose, 251" long	1	1	5.44
4	3J545	Hose, 30" long w/90 degree fitting	1	1	1.31
5	2J528	Hose, 18" long w/90 degree fitting	1	1	1.05
6	4J539	Hose, 84" long w/90 degree fitting	1		2.35
	4J829	Hose, 116" long w/90 degree fitting	1		3.01
7	9D764	Hose, 96" long w/90 degree fitting	1		2.66
	4J832	Hose, 136" long w/90 degree fitting	1		3.49
8	4D982	Tee	1	1	.55
9	1K650	Remote Stroke Control	1	1	2.23
*	3K096	Valve Body			
*	9J638	Stroke Control Cartridge			
10	7J026	Adapter, 3/4-16 UNF to 1/2-14 NPTF	3	3	.16
11	1J131	90 degree Swivel Fitting	1	2	.30
12	5J650	Cylinder Pin	2	2	.80
13	6C468	Cotter Pin, 3/16 x 2"	4	4	-

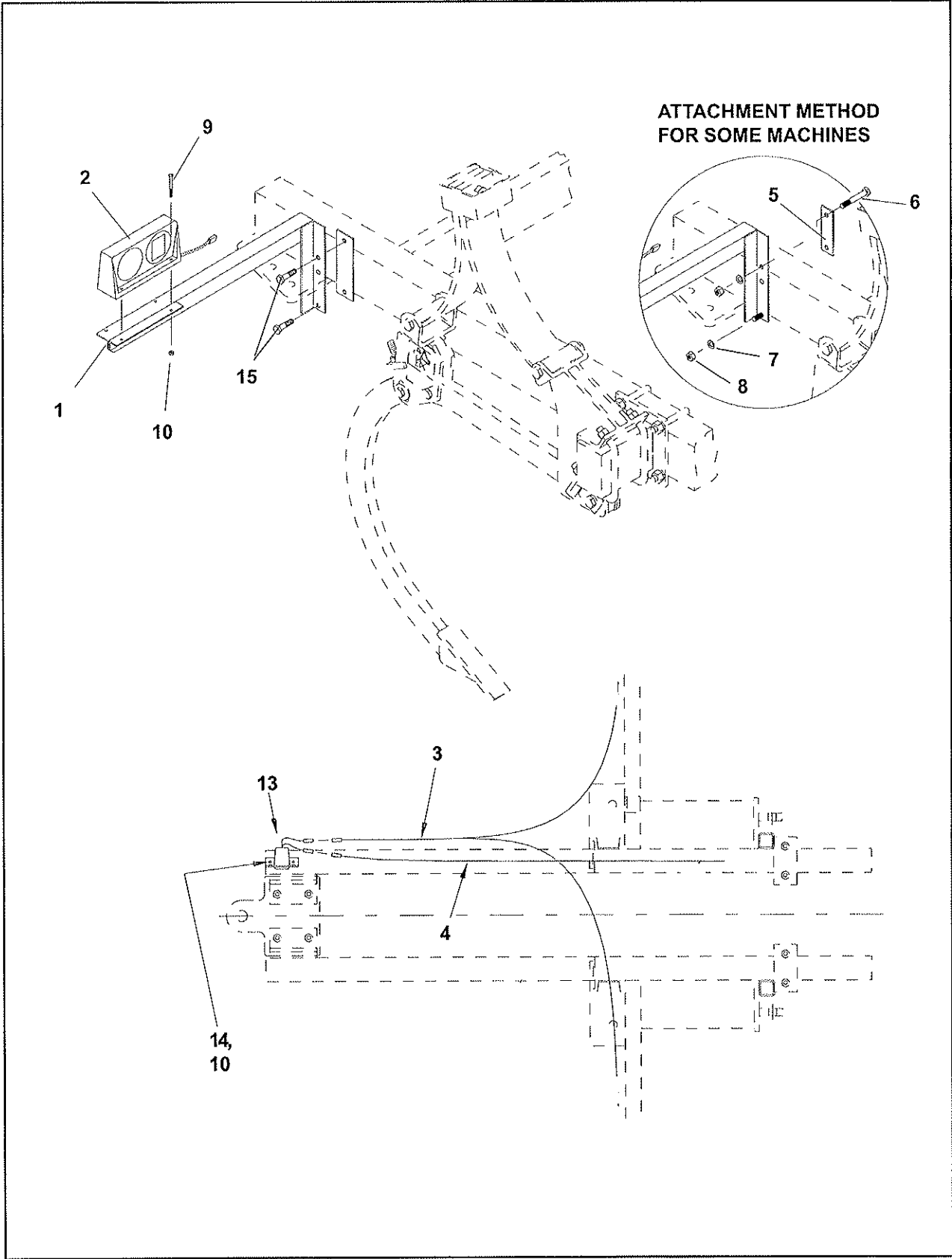
Parts Found only on  
LCS131511, LCS111511, LCS9241, LCS7301, LCS7241

Index No.	Part No.	Description	No. Req'd		Weight
14	4K097	Stroke control Cartidge	1		2.00
15	4K098	Adapter	1		.16
16	6D148	Nipple	1		.20
		NOTE: Under "No. Req'd," items listed in first column are for 3 & 5 shank machines, items listed in second column are for 7 & 9 shank machines.			
*		Not Shown			





DISC CONTROL KIT				
Index No.	Part No.	Description	No. Req'd	Weight
	1K619	RATCHET JACK KIT		
1	1K618	Ratchet Jack	4	15.00
2	8D099	Clevis Pin, 1" Dia. x 2 1/2	8	.60
3	6C468	Cotter Pin, 3/16 Dia. x 2	8	-
	1K620	HYDRAULIC KIT		
4	3J615	Plastic Cable Tie	8	-
5	9D282	Hydraulic Cylinder, 2 x 6	4	20.00
6	5J650	Cylinder Pin	8	.80
7	4C856	Hairpin Cotter	16	-
8	2D449	Hose, 62" long w/90 degree fitting	2	3.20
9	2D448	Hose, 48" long w/90 degree fitting	2	1.80
10	4D982	Tee	2	.30
11	3J547	Hose, 160" long	2	6.20
12	6D147	Cross	2	.60
13	9D303	Hose, 138" long	2	5.40
14	3J545	Hose, 30" w/90 degree fittings	2	1.60
15	3J543	Hose, 42" long w/90 degree fitting	2	2.00
16	4J822	Stroke Control Segments	4	2.00
	1K621	INDEPENDENT HYDRAULIC CONTROL KIT		
17	4J553	Coupling	2	.30
18	6D333	Hose Support	1	1.80
19	5C460	Capscrew, 5/8-11 NC x 2	1	.20
20	1C122	Flat Washer, 5/8	1	.08
21	1B166	Lockwasher, 5/8 Reg.	1	.02
22	1C392	Nut, 5/8-11 NC Hex	1	.07
23	5J234	Pipe Plug, 1/2-14 NPTF	2	.12
24	9D303	Hose, 138" long	2	5.40



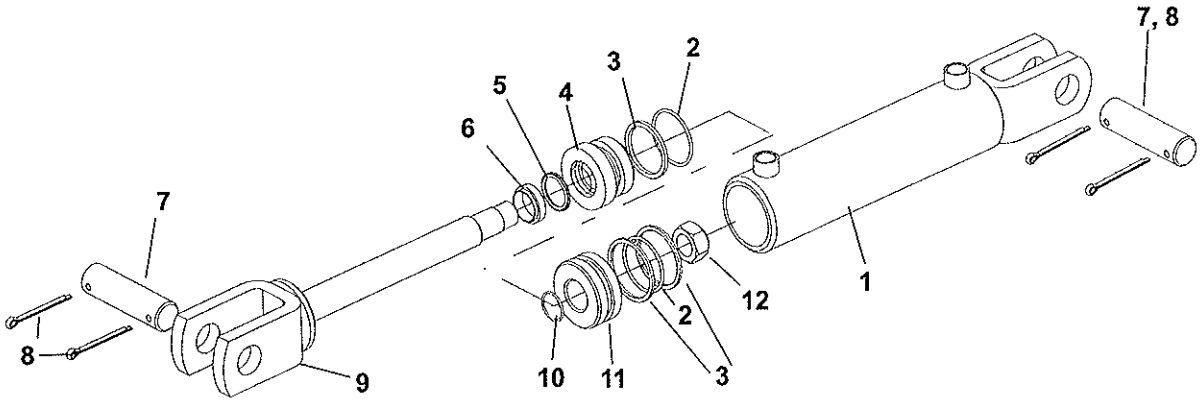
**4K841 WARNING LIGHT KIT**

Index No.	Part No.	Description	No. Req'd	Weight
1	4K847	Bracket Weldment	2	
2	4K772	Dual Lamp, LH	1	
	4K773	Dual Lamp, RH	1	
3	4K828	Wlishbone Harness, 15' Long	1	
4	4K829	Ag. Harness, 35' Long	1	
5	3K320	Strap	1	
6	1C266	HHCS, 1/2-13 NC x 5 1/2" Long	4	
	3D751	HHCS, 1/2-13 NC x 4 1/2"	4	
7	1C109	Lock Washer, 1/2"	4	
8	1C390	Hex Nut, 1/2"	4	
9	2C312	Machine Screw, 1/4" x 1"	8	
10	6J150	Flange Lock Nut, 1/4"	10	
11	9D674	Plastic Cable Tie, 8 1/2" (Not Shown)	10	
12	9D851	Plastic Cable Tie, 20" (Not Shown)	4	
13	4K826	Tandem Haul Adapter	1	
14	1C229	Capscrew, 1/4" x 3/4"	2	
15	7C876	Capscrew, 1/2-13 NC x 1" Long gr. 5	4	

9D282 G Hydraulic Cylinder 2 x 6  
 Hydraulic Gear #2006-01 Painted Black  
 1" Dia. Rod, 16-1/4 Retracted, 22-1/4 Extended Length

Item	Part No.	Description	Qty.
1	3J569	Tube Assembly	1
*2	NSS	O Ring	2
*3	NSS	Back-Up Ring	3
4	3J571	Packing Gland	1
*5	NSS	Rod Seal & Back Up Rings	1
*6	NSS	Wiper	1
7	5J650	Cylinder Pin	2
8	6C468	Cotter Pin, 3/16" x 2"	4
9	3J570	Rod Assembly	1
*10	NSS	Seal	1
11	3J572	Piston	1
12	6D918	Hex Nut 3/4-16 NF Lock	1
*	3J573	Seal Kit (Items marked "**")	

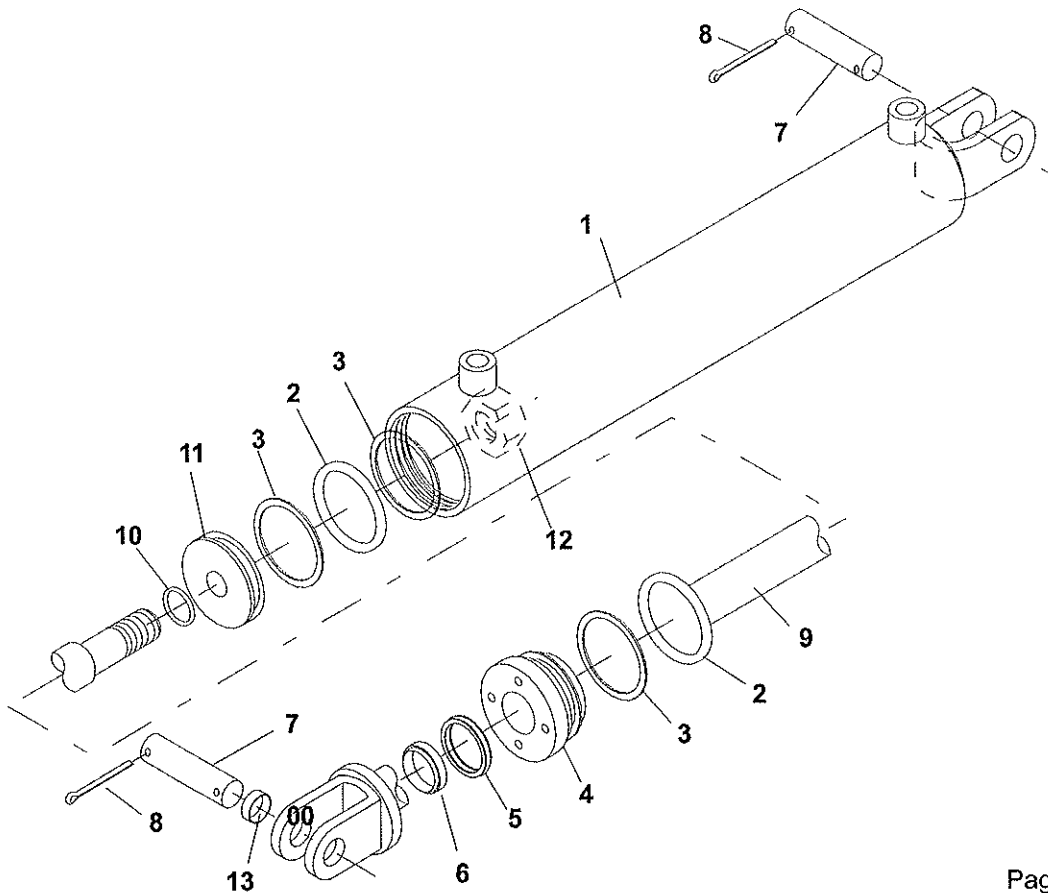
NSS = Not Serviced Separately



9D524 G Hydraulic Cylinder 3-1/2 x 16  
 Hydraulic Gear #3516-01 Painted Green  
 1-3/8 Dia. Rod, 26-1/4 Retracted, 42-1/4 Extended Length

Item	Part No.	Description	Qty.
1	1J957	Tube Assembly	1
*2	NSS	O Ring	2
*3	NSS	Back-Up Ring	3
4	1J958	Gland	1
*5	NSS	Rod Seal & Back Up Rings	1
*6	NSS	Wiper	1
7	5J650	Cylinder Pin	2
8	6C468	Cotter Pin, 3/16" x 2"	4
9	1J960	Rod Assembly	1
*10	NSS	O Ring	1
11	1J959	Piston	1
12	6C750	Hex Nut 7/8-14 NF Lock	1
13	8J918	Tension Bushing	2
*	1J961	Seal Kit (Items marked "**")	

NSS = Not Serviced Separately

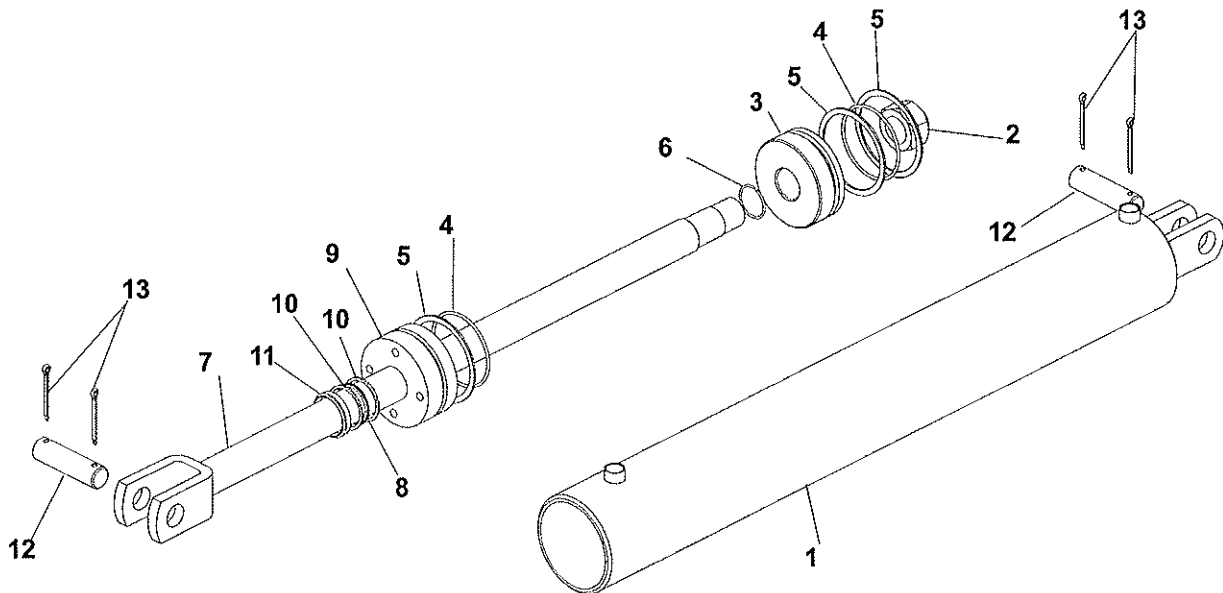


Page 8 2J124

9D731 G Hydraulic Cylinder 4 x 16  
 Hydraulic Gear #4016-01 Painted Black  
 1-3/4" Dia. Rod, 26-1/4 Retracted, 42-1/4 Extended Length

Item	Part No.	Description	Qty.
1	1J952	Tube Assembly	1
2	1J951	Hex Nut 1-1/4-12 NF Lock	1
3	1J955	Piston	1
*4	NSS	O Ring	2
*5	NSS	Back-Up Ring	3
*6	NSS	Seal	1
7	1J954	Rod Assembly	1
*8	NSS	Rod Seal	1
9	1J953	Gland	1
*10	NSS	Back-Up Ring	2
*11	NSS	Wiper	1
12	5J650	Cylinder Pin	2
13	6C468	Cotter Pin, 3/16" x 2"	4
*	1J956	Seal Kit (Items marked "**")	

NSS = Not Serviced Separately



## INDEX

Breakdown of hydraulic cylinders are special inserts from book 2J124, pages 6, 9, and 10, and is located after page 25. Pages marked "\*" are from 2J124.

Part No.	Page	Index No.	Part No.	Page	Index No.	Part No.	Page	Index No.
1B166	3	21		11	4	9C065	11	33
	9	3				8C065	13	33
	11	3		13	4	8C882	17	35
	13	3		17	10	8C909	15	4
	17	9		19	14	1D423	3	44
	19	13	1C659	25	22	1D445	19	12
	25	21	1C787	5	18	1D594	17	31
1C023	5	12		5	17	1D604	5	10
1C109	7	6		11	36	2D448	25	9
	9	27		13	36	2D449	25	8
	11	25	1C869	21	3	2D488	3	39
	13	25		5	21		17	16
	15	13	2C312	27	9	2D799	17	30
	27	7	2C643	7	9	3D531	7	21
1C120	21	27	2C864	21	11			
1C122	3	20	3C173	7	18	3D532	7	22
	25	20	3C350	7	20	3D751	27	6
	17	37	1C392	19	14	4D414	9	7
1C133	17	17	3C491	9	11		11	7
1C182	15	10		13	11		13	7
	21	10	4C856	*6	8	4D957	3	5
1C183	15	6		*9	8	4D982	23	8
	19	10		*10	8		25	10
1C210	3	7		23	13	5D871	7	5
	3	24		25	7	5D955	3	15
	7	13	4C858	21	4	6D049	9	25
	9	33		17	37		11	23
	11	31		19	7		13	23
	13	31	5C392	19	10	6D065	15	9
	17	6		21	28	6D147	25	12
1C211	3	6	5C460	3	19	6D148	23	15
	3	24		25	19	6D300	3	38
	7	12	5C913	7	23	6D302	17	14
	9	32	5C914	7	24	6D306	3	29
	11	30	6C468	25	3		17	20
	13	30	6C729	17	18	6D333	3	18
	17	5	6C750	*9	12		25	18
1C229	27	14	7C076	5	20	6D337	7	19
1C266	14	4	7C414	9	9	6D742	9	31
	27	6		11	9		11	29
1C272	21	23		13	9		13	29
1C277	15	7	7C828	5	4	6D854	3	17
	19	19	7C829	5	6		17	36
1C362	21	7	7C830	5	5		19	6
1C385	21	20	7C831	5	8	6D918	*6	12
1C390	7	7	7C835	5	11		17	35
	9	28	7C847	5	9	7D077	21	18
	11	26	7C850	5	7	7D189	17	11
	13	26	7C858	21	6	7D558	9	8
	15	14	7C875	19	9		11	8
	27	8	7C870	21	32		13	8
1C392	3	22	7C876	27	15	7D559	9	10
	9	4	8C065	9	36		11	10



Part No.	Page	Index No.	Part No.	Page	Index No.	Part No.	Page	Index No.
7D559	13	10	3J570	*6	9	1K006	15	2
7D795	9	23	3J571	*6	4	1K501	17	1
	11	21	3J572	*6	11	1K506	17	4
	13	21	3J573	*6	-		17	36
7D919	9	6	3J578	7	11			
	11	6	3J598	7	8	1K513	17	13
	13	6	3J604	7	2	1K514	9	13
8D099	19	29	3J607	3	12	1K515	9	14
	25	2	3J608	11	35		11	16
8D158	23	28		13	35			
8D400	9	2	3J609	7	3		13	14
	11	2	3J615	25	4	1K516	9	19
	13	2	3J647	5	16			
9D282	25	5	4J539	23	6		11	19
9D303	25	13	4J553	25	17			
9D524	23	1	4J822	25	16		13	16
	5	27	4J829	23	6	1K517	9	18
9D674	27	11	4J832	23	7	1K518	9	15
9D693	7	10	4J867	3	10	1K519	9	20
9D731	23	1	5J234	25	23	1K520	9	16
9D764	23	7	5J499	21	2			
9D796	21	19	5J650	*6	7		11	17
9D851	27	12		*9	7			
9D923	5	13		*10	7		13	18
1J131	23	11		23	12	1K521	9	17
1J486	21	26		25	6			
1J558	3	43	5J764	3	14		11	18
1J951	*10	12	5J863	11	14			
1J952	*10	1	5J873	7	2		13	19
1J953	*10	4	6J055	11	15	1K523	11	28
1J954	*10	9		13	17			
1J955	*10	11	6J056	11	37		13	28
1J956	*10	-		13	39	1K524	15	3
1J957	*9	1	6J057	9	22	1K525	15	3
1J958	*9	4		11	20	1K526	15	8
1J959	*9	11		13	20	1K527	15	1
1J960	*9	9	6J062	9	12			
1J961	*9	-	6J150	27	10		15	2
2J153	5	19	6J448	21	13	1K546	9	1
2J430	3	34	6J593	11	13	1K547	9	1
2J431	3	35		13	13	1K548	11	1
2J528	23	5	7J026	23	10			
2J716	9	24	7J346	23	3		13	1
2J716	11	22	7J599	3	16	1K549	11	1
	13	22	7J896	9	12			
2J783	3	13		11	12		13	1
2J858	3	11				1K551	15	1
3J394	7	16	7J921	9	12	1K557	9	5
3J396	7	25		11	12			
3J397	7	17	8J015	15	5		11	5
3J450	3	8	8J310	3	30			
	3	24	8J971	7	4		13	5
3J543	25	15	9J206	5	23	1K563	3	9
3J545	23	4	9J559	9	26	1K588	7	14
	25	14		11	24	1K589	7	15
3J547	25	11		13	24	1K612	3	3
3J569	*6	1	9J654	3	25	1K618	17	28

Part No.	Page	Index No.	Part No.	Page	Index No.	Part No.	Page	Index No.
			1K946	21	24	2K919	17	3
	25	1	1K947	21	25	2K951	17	-
	17	33	1K977	21	8	2K952	17	25
1K619	25	-	1K981	23	2	2K954	17	26
1K620	25	-	1K985	9	1	2K955	17	27
1K621	25	-	1K986	9	1	3K037	9	30
1K623	5	14	1K987	11	1	3K039	15	8
1K650	23	9		13	1	3K068	7	1
1K652	21	33	1K988	11	1	3K093	19	4
1K708	19	1		13	1	3K094	19	5
1K732	3	26	1K991	9	12	3K096	23	-
1K787	3	27	1K992	11	12	3K097	23	-
1K733	3	24	1K998	9	34	3K171	19	16
1K774	5	2		11	32	3K172	19	17
1K775	5	3		13	32	3K289	19	3
1K777	5	1	1K999	9	34	3K290	19	-
1K788	3	28		11	32	3K320	27	5
1K789	3	25		13	32	3K389	17	8
1K790	3	1	2K009	15	1		19	7
1K791	3	2		15	2	3K469	3	37
1K803	3	4		15	2	3K478	19	3
1K806	3	24	2K038	15	12	3K479	19	3
1K808	3	23	2K039	15	11	3K496	7	1
1K810	7	1	2K040	15	-	3K672	3	42
1K825	21	31	2K041	15	-	3K714	7	1
1K826	21	30	2K042	15	-	3K818	19	8
1K830	21	29	2K043	15	-	3K819	19	15
1K880	3	1	2K051	3	-	3K820	19	2
1K881	3	2	2K060	17	12	3K821	19	20
1K889	7	1	2K065	13	12	3K822	19	3
1K892	7	26	2K066	13	12	3K862	3	41
1K896	5	15	2K067	13	15	3K900	17	32
1K903	5	22	2K068	13	37	3K959	3	11A
1K906	9	34	2K072	15	2	4K026	3	10
1K907	9	34	2K073	15	3	4K039	3	31
1K908	9	34	2K074	15	3	4K065	3	32
	11	32	2K114	17	15	4K097	23	14
	13	32	2K118	19	11	4K098	23	15
1K909	9	29	2K119	15	1	4K100	9	14
	11	27		15	2	4K101	9	20
	13	27	2K120	19	3	4K102	9	19
1K910	9	35	2K121	19	15	4K414	17	33
	11	34	2K122	15	2	4K415	17	34
	13	34		15	2	4K565	5	11
1K911	9	30	2K326	13	38	4K576	5	*
1K926	3	36	2K327	13	12	4K577	5	14
1K930	21	1	2K328	13	12	4K826	27	13
1K933	21	8	2K534	17	2	4K772	27	2
1K934	21	5	2K536	17	21	4K773	27	2
1K935	21	9	2K537	17	19	4K828	27	3
1K936	21	12	2K400	9	21	4K829	27	4
1K937	21	14	2K702	15	9	4K847	27	1
1K941	21	15	2K762	17	22	6K173	17	36
1K942	21	16	2K860	15	-	6K176	17	34
1K943	21	17	2K861	15	-			
1K944	21	21	2K862	15	-			
1K945	21	22	2K863	15	-			