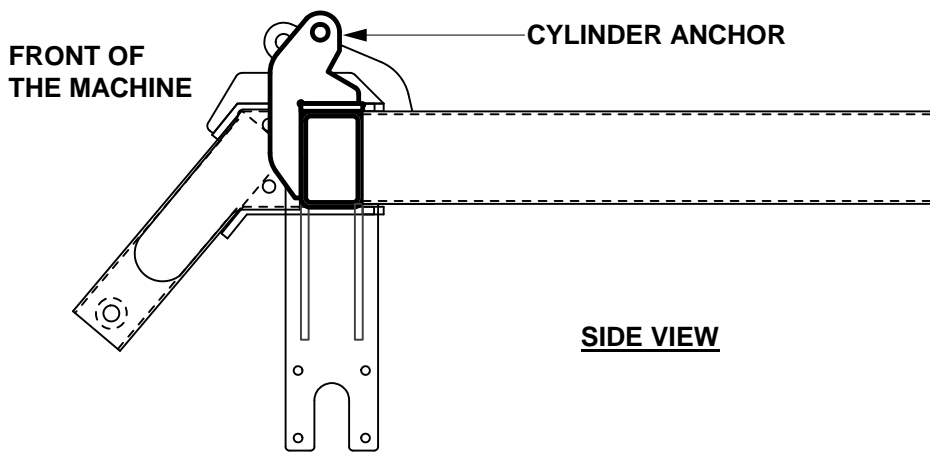



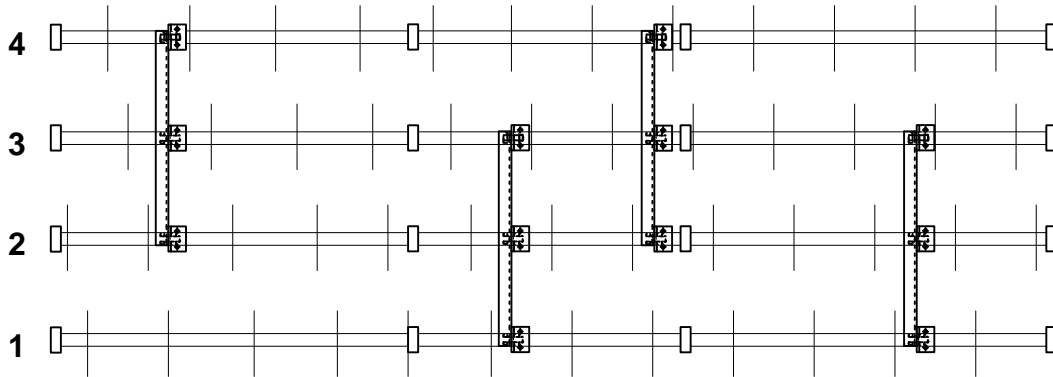
1. Weld cylinder anchor with attached pad to the front frame right outside of the LH pull arm brackets.

(see drawings on the left for the correct placement)

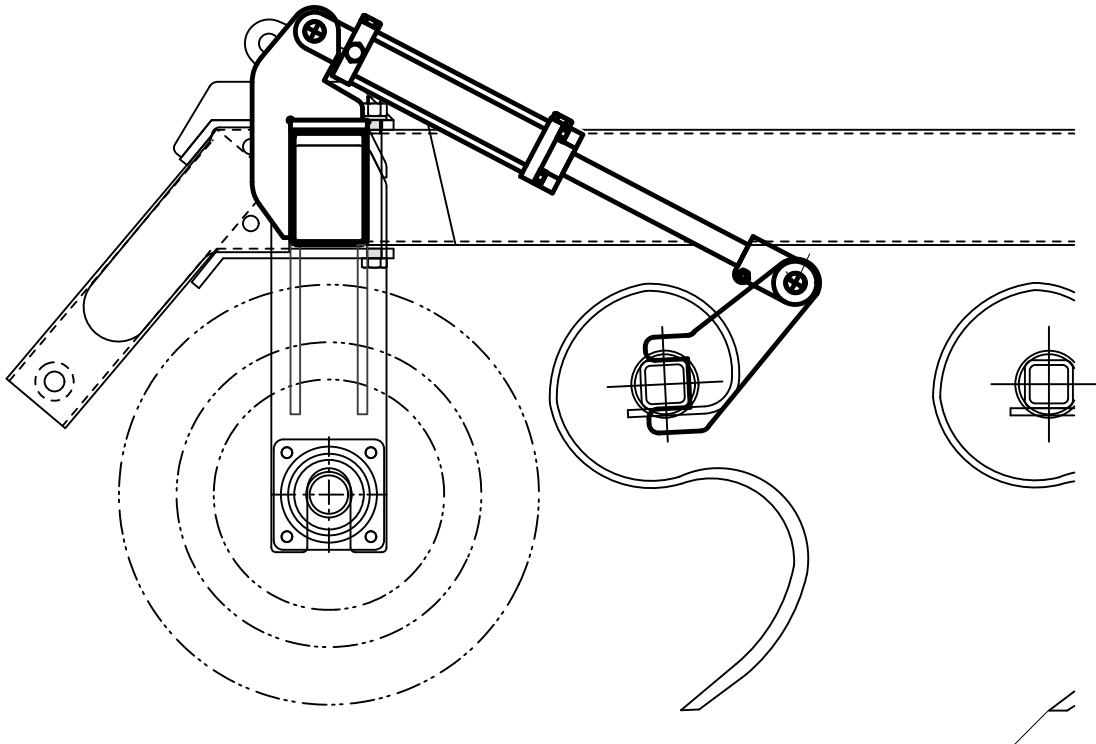



QTY: 1	TILL AN' BEDDER - 4 BAR	
SCALE: 1/2"=1'-0"	DRAWN BY: O. Pirogova	
DATE: 7/25/05	REVISED:	

2. Ensure that tie bars have 3 holes. Connect 1st, 2nd, and 3rd S-Tine tubes with (2) tie bars, and 2nd, 3rd, and 4th S-Tine tubes with (2) other tie bars using additional brackets and U-Bolts. See drawing on page 3 for details.



3. Connect 2-1/2" X 8" Hydraulic Cylinder as shown on the drawing below.

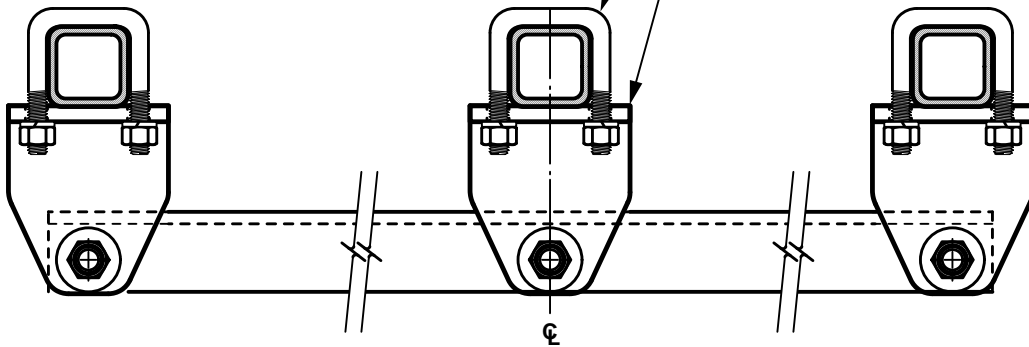


QTY: 1	TILL AN' BEDDER - 4 BAR	
SCALE: 1/2"=1'-0"	DRAWN BY: O. Pirogova	
DATE: 7/25/05	REVISED:	

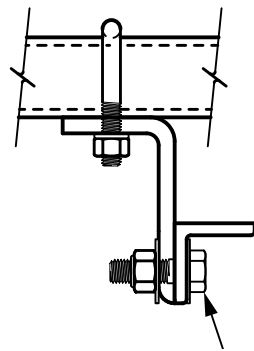
ADDITIONAL PARTS:

5/8" SQUARE BEND U-BOLTS
W/ LOCKWASHERS & HEX NUTS

TBU-00L300



SIDE VIEW



**(3) 3/4" x 2-1/2" BOLTS W/
NYLOCKS & FLAT WASHERS**

FRONT VIEW

QTY: 1	TILL AN' BEDDER - 4 BAR	
SCALE: 1/2"=1'-0"	DRAWN BY: O. Pirogova	
DATE: 7/25/05	REVISED:	