

2

1

B

B

A

A

25 1/32

Approximately
36 1/2"
depending on
bucket size

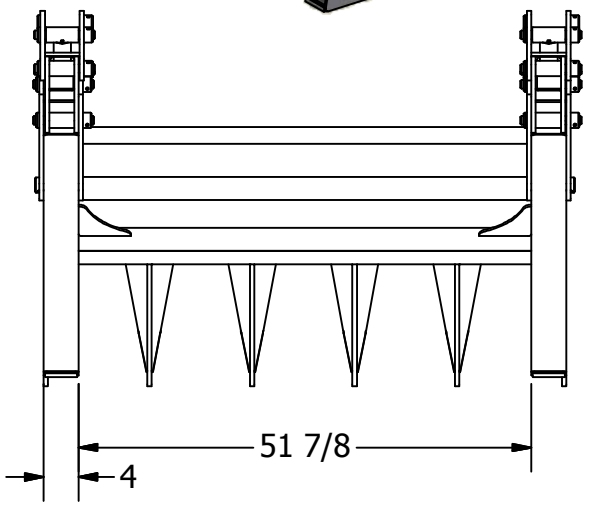
80°

34 19/32

approximately 5"

4 - 6"

Locate tooth approximately at 4-6"
from bucket cutting edge



51 7/8

4



Title			
GR Kit Mounting Instructions			
Date	12/04/2005	Part #	-
REV #	Scale	Qty.	Dwn. By
B		1	Ryan

2

1