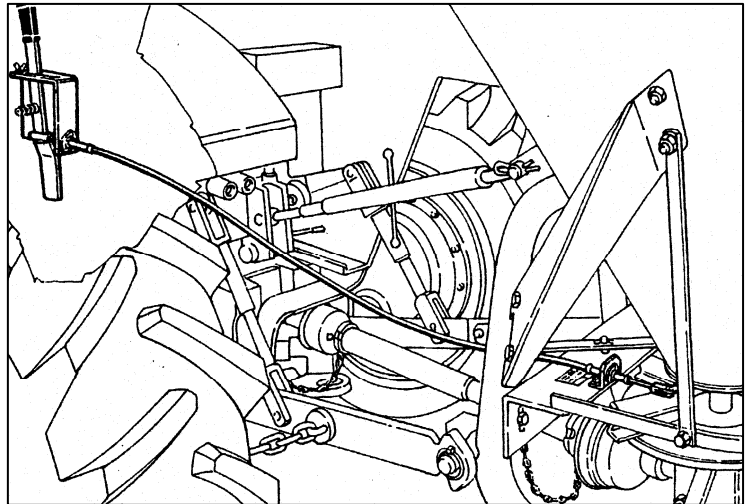
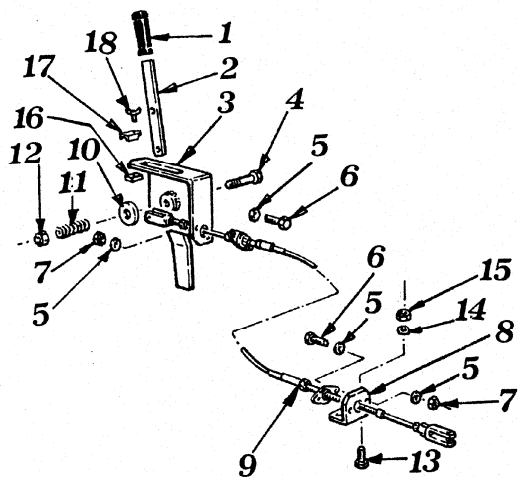


AGRICULTURAL MACHINERY

sitrex®
Spa

FS SPREADER



REMOTE CONTROL KIT ***PART NO. 400.164***

| ITEM | PART NO. | Q.ty | DESCRIPTION | Note |
|------|----------|------|--------------|------|
| * | 400.164 | 1 | Kit complete | |
| 1 | 600.450 | 1 | Handle | * |
| 2 | 400.165 | 1 | Lever | * |
| 3 | 400.166 | 1 | Support | * |
| 4 | 600.528 | 1 | Screw | * |
| 5 | 600.889 | 8 | Washer | * |
| 6 | 610.267 | 4 | Screw | * |
| 7 | 600.532 | 4 | Nut | * |
| 8 | 400.167 | 1 | Support | * |
| 9 | 610.268 | 1 | Cable | * |
| 10 | 400.049 | 1 | Washer | * |
| 11 | 400.048 | 1 | Spring | * |
| 12 | 600.554 | 1 | Nut | * |
| 13 | 600.892 | 2 | Screw | * |
| 14 | 600.992 | 2 | Washer | * |
| 15 | 600.993 | 2 | Nut | * |
| 16 | 400.001 | 1 | Locking | * |
| 17 | 400.021 | 1 | Indicator | * |
| 18 | 600.184 | 1 | Screw | * |