

2.7 Protection and equipment for the operator



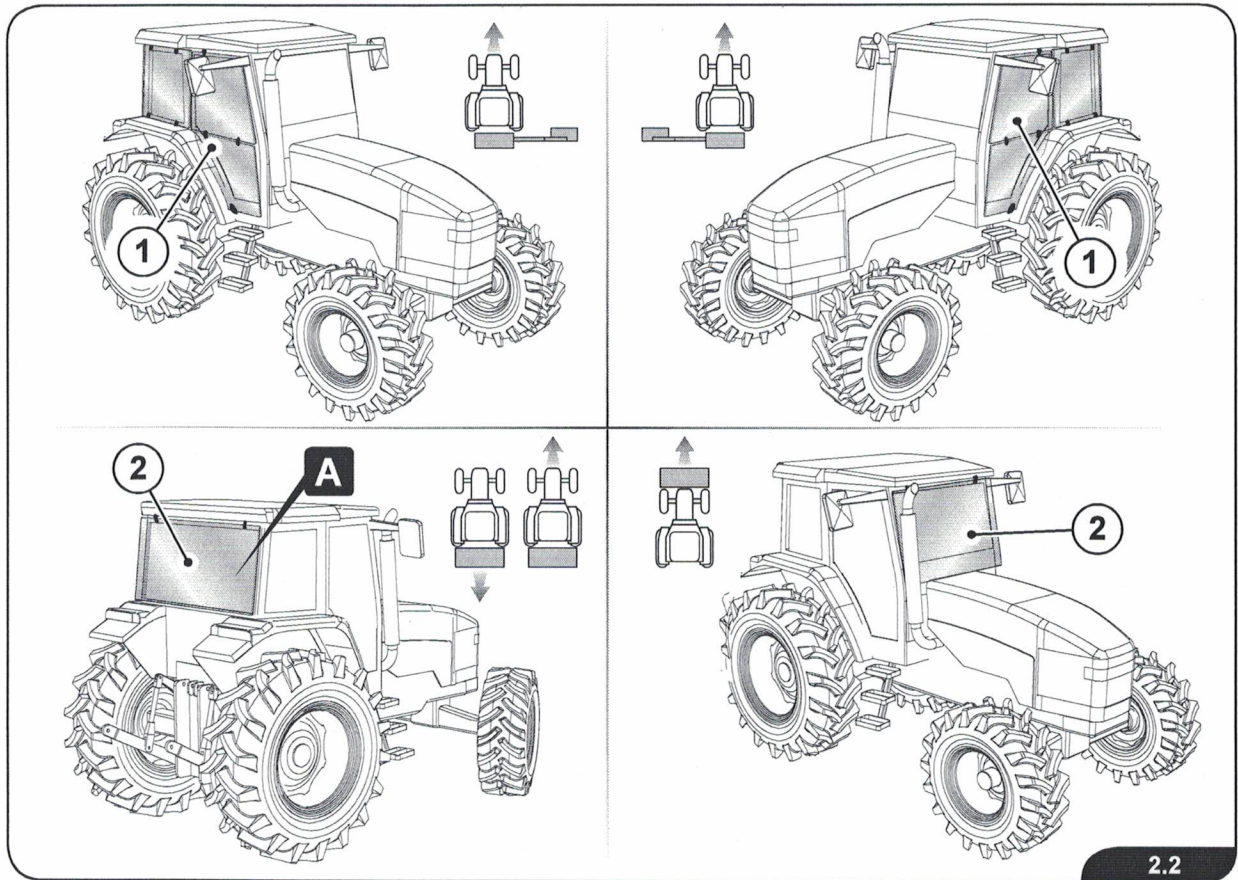
Always wear safety footwear, overalls, safety gloves and, if necessary, earmuffs and a dust mask during use and machine maintenance, repair, handling and storage operations.

In order to protect the operator from the violent expulsion of splinters, stones or other materials, install on the driver's cab - on the work side (1) or on the rear or front side (2) - a single pane (plexiglass or polycarbonate) 10mm thick that prevents the bodies expelled from the end tool from:

- ▶ Breaking the windows of the cab.
- ▶ Causing injury to the operator.

Attach the machine only to tractors with approved type anti-roll over driving cab (ROPS).

02-Equipaggiamento e protezioni dell'operatore



2.2



ONLY IN CASE OF VENTRAL MACHINES:
 due to the presence of the arms on one side of the tractor, it is obligatory to consider the rear door (A) as an emergency exit.