



"Good enough won't do - it must be right." - K.B. Danuser, Founder 1910

# MAXIMUM DRIVING FORCE

## THE ORIGINAL ONE-PERSON POST DRIVER

The Hammer offers powerful and reliable post-driving performance without the need for springs, hydraulic cylinders, or return lines. The hydraulic grapple option lets the operator grab a post off the ground, load it into the machine, and drive it into the ground without leaving the skid-steer seat, while the tilt option allows up to 20° tilt left or right.

- Free fall weight design creates smooth operation with less shock back to the vehicle
- 3/4" steel plate protects the top of the post from Hammer weight damage
- Delivers maximum impact force with every stroke
- Ability to short stroke to fine tune post depth
- Top of post is contained preventing kickout
- No setup required, it's ready to go to work
- 1-Year Warranty

### SPECIFICATIONS

For full specifications, visit [danuser.com](http://danuser.com)

Tilt	20° Left or Right
Machine Weight	915-1,245 lb.
Hammer Weight <sup>1</sup>	Standard 300 lb. (With additional weight kit: 500 lb. max.)
Length of Stroke	40"
Max. Strokes Per Minute	35
Hydraulic Requirements <sup>2</sup>	1,500-3,000 PSI 12 to 30 GPM
Max. Post Size	8.5" x 9.25"
Impact Force	Standard 49,000 lb. (With additional weight kit: 82,000 lb.)
Impact Energy	Standard 1,025 ft.-lb. (With additional weight kit: 1,709 ft.-lb.)

<sup>1</sup> Additional weight kit (PN 21163) adds 200 lb. to machine weight for 60% more impact force.

<sup>2</sup> Hammer will still operate on machines with less than 12 GPM with fewer strokes per minute.

SM40 with  
grapple option



# SM40

Skid-Steer Quick Attach Mounting Plate (Shown with tilt option)



# LM40

Offset Skid-Steer Quick Attach Mounting Plate for Front-End Loaders



# EM40

Offset Euro/Global Quick Attach Mounting Plate for Front-End Loaders



# CB40

Dedicated Concrete Breaker for 9" Thick Reinforced Concrete



Recommended 75 HP & above tractors. DO NOT exceed the tractor loader rated operating capacity. Use sufficient counterweights. Contact Danuser for excavator mount options.

Less maintenance and flying debris than traditional breakers.

## ACCESSORIES / OPTIONS



### Floating Horseshoe Plate

PN 21212

Recommended for up to 5" diameter pipe. Aids in keeping the pipe centered in the driver and reduces wear and tear on machine. Does not interfere with the operation of the grapple. Works with T-post adapter.



### Guard Rail Plate

PN 21280

Recommended when driving 6" or 8" I-beams. Aids in keeping the guard rail from twisting and shifting.



### Donut Plate

PN 21395

Recommended for up to 5" diameter pipe. More effective than the Horseshoe Strike Plate in keeping the pipe centered and reduces wear and tear on the machine. When using the grapple, a helper is recommended to position pipe in the Hammer. Works with T-post adapter.



### Square Plate

4": PN 180005  
6": PN 180007

Recommended when driving 4" or 6" square wood posts.

### Grapple Option

May be added to any base model machine for one-person operation.

See danuser.com for part number.

### Tilt Option

May be added to any base model machine for tilt up to 20° left or right.

See danuser.com for part number.

### Additional Weight Kit

PN 21163

Adds 200 lb. to machine weight for 60% more impact force.

### T-Post Adapter

PN 21149

Required for driving T-posts.



### Concrete Breaker Kit

PN 21278

Replaces hammer weight with 500-lb. breaker attachment. Breaks up to 9" thick reinforced concrete. Delivers up to 82,000 lb. of impact force with each cycle. Kit includes additional hardware.



### Wiring Harness

PN 21220

8-Pin or 14-Pin Pigtail

For skid-steer models only.

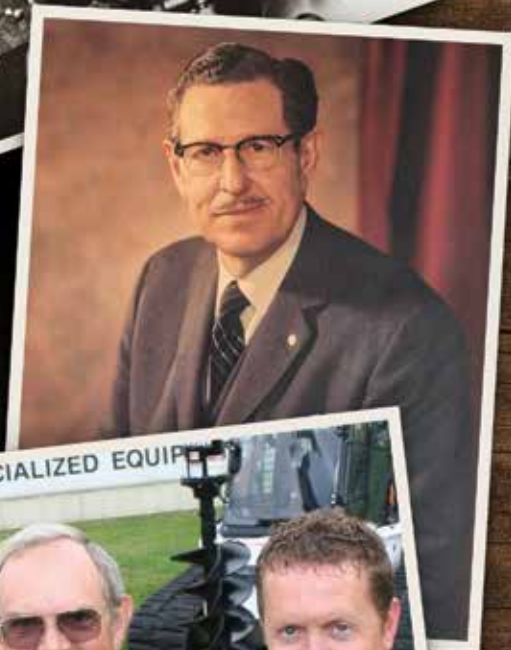
Allows control of tilt function from vehicle joystick.



### Battery Connection Wiring Harness

PN 21253





## A HISTORY OF INNOVATION

Established in 1910, Danuser is a 4th generation, family owned and operated company. With decades of design and manufacturing experience, we build our products with reliability that they will last for generations. From our renowned auger system released in the mid-1940s to the more current designs, our commitment to our customers remains the same - to design and build products that are the benchmark of quality, reliability, and longevity.

In the words of our founder K.B. Danuser, "Good enough won't do - it must be right."

Danuser manufactures industrial and agricultural attachments for various applications, serving many industries worldwide. Please visit [www.danuser.com](http://www.danuser.com) to see our full line of attachments.

 **DANUSER**<sup>®</sup>

 **GENERAL  
IMPLEMENT**  
DISTRIBUTORS



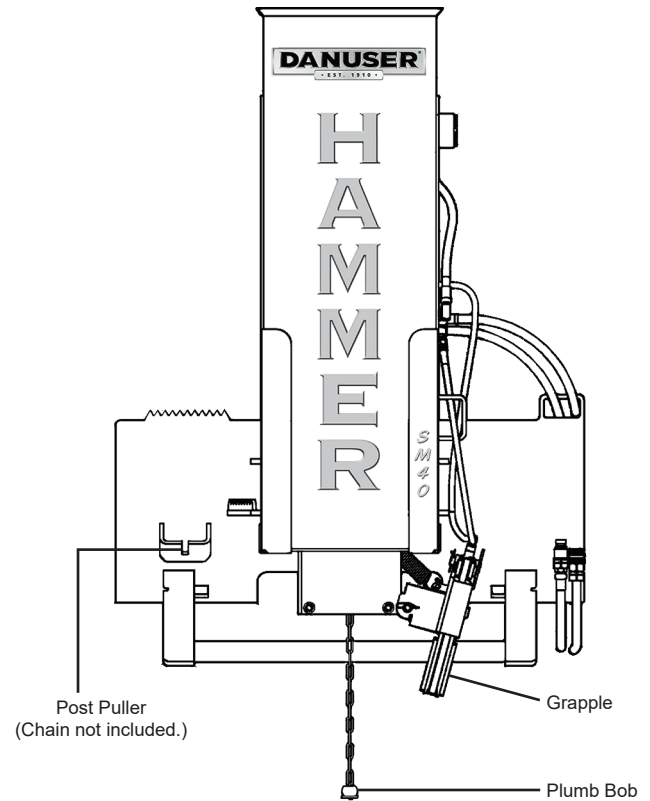
## HAMMER POST DRIVER PRICE SHEET

### 1-Year Warranty

**⚠ WARNING** This product can expose you to chemicals known to the State of California to cause cancer and birth defects or other reproductive harm. For more information go to [www.P65Warnings.ca.gov/product](http://www.P65Warnings.ca.gov/product).

### TO PRICE A COMPLETE SYSTEM:

Hammer Model (pg. 1-2) \_\_\_\_\_  
 Optional Wiring Harness/  
 Battery Wiring Harness (pg. 3) \_\_\_\_\_  
 Accessories (pg. 4) \_\_\_\_\_  
 Hose Kits (pg. 5) \_\_\_\_\_  
 Freight \_\_\_\_\_  
  
**TOTAL** \_\_\_\_\_



### SKID-STEER MOUNT

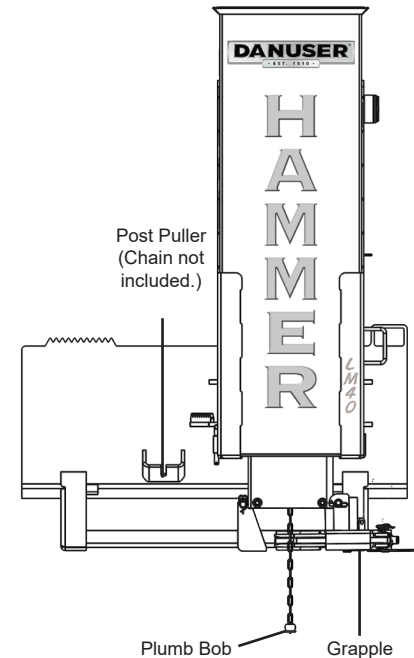
PN	DESCRIPTION	WT.	PRICE
21000	<b>Hammer SM40</b> Hydraulic continuous chain drive, 300 lb. hammer weight (500 lbs. max.), 40" stroke, up to 35 strokes per minute, drives T-post up to railroad ties. Integrated post puller to be used with log chain. <b>Includes</b> hoses with 1/2" flush-face couplers (ISO 16028).	915	\$7,175.00
21000L	<b>Hammer SM40 Loaded</b> <b>Includes</b> factory-installed additional weight kit	1115	\$7,660.00
21001	<b>Hammer SM40 with Grapple</b> Grapple for one-man operation.	955	\$7,865.00
21001L	<b>Hammer SM40 with Grapple Loaded</b> <b>Includes</b> grapple and factory-installed additional weight kit	1155	\$8,350.00
21002	<b>Hammer SM40 with Tilt</b> Tilt left or right up to 20°. <b>Includes</b> diverter switch and cigarette lighter adapter that connects to a power port or cigarette lighter inside the cab.	1005	\$9,655.00
21002L	<b>Hammer SM40 with Tilt Loaded</b> <b>Includes</b> tilt and factory-installed additional weight kit	1205	\$10,145.00
21003	<b>Hammer SM40 with Grapple and Tilt</b>	1045	\$10,345.00
21003L	<b>Hammer SM40 with Grapple and Tilt Loaded</b> <b>Includes</b> grapple, tilt, and factory-installed additional weight kit	1245	\$10,835.00

**NOTE:** If post/pipe diameter is 4" O.D. or smaller, PN 21212 or PN 21395 must be installed (see pg. 4).

## FRONT-END LOADER MOUNT - SKID-STEER QUICK ATTACH

For tractor-mounted Hammers, recommended 75 HP & above only. DO NOT exceed the tractor loader rated operating capacity. Use sufficient counterweights. See Front-End Loader Hose Kit, PN 196056 (pg. 5) to connect to rear tractor remotes.

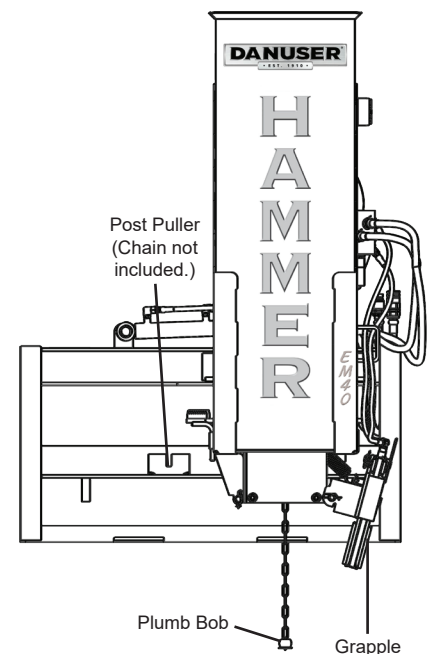
PN	DESCRIPTION	WT.	PRICE
21006	<b>Hammer LM40</b> Hydraulic continuous chain drive, 300 lb. hammer weight (500 lbs. max.), 40" stroke, up to 35 strokes per minute, drives T-post up to railroad ties. Integrated post puller to be used with log chain. <b>Includes</b> hoses with 1/2" flush-face couplers (ISO 16028).	948	\$7,310.00
21006L	<b>Hammer LM40 Loaded</b> <b>Includes</b> factory-installed additional weight kit	1148	\$7,800.00
21007	<b>Hammer LM40 with Grapple</b> Grapple for one-man operation.	991	\$8,000.00
21007L	<b>Hammer LM40 with Grapple Loaded</b> <b>Includes</b> grapple and factory-installed additional weight kit	1191	\$8,490.00
21008	<b>Hammer LM40 with Tilt</b> Tilt left or right up to 20°. <b>Includes</b> diverter switch and cigarette lighter adapter that connects to a power port or cigarette lighter inside the cab.	991	\$9,795.00
21008L	<b>Hammer LM40 with Tilt Loaded</b> <b>Includes</b> tilt and factory-installed additional weight kit	1191	\$10,285.00
21009	<b>Hammer LM40 with Grapple and Tilt</b>	1041	\$10,485.00
21009L	<b>Hammer LM40 with Grapple and Tilt Loaded</b> <b>Includes</b> grapple, tilt, and factory-installed additional weight kit	1241	\$10,975.00



NOTE: If post/pipe diameter is 4" O.D. or smaller, PN 21212 or PN 21395 must be installed (see pg. 4).

## FRONT-END LOADER MOUNT - EURO/GLOBAL QUICK ATTACH

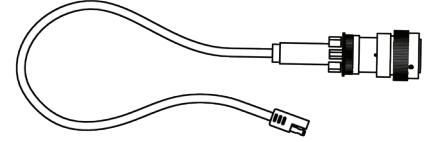
PN	DESCRIPTION	WT.	PRICE
21010	<b>Hammer EM40</b> Hydraulic continuous chain drive, 300 lb. hammer weight (500 lbs. max.), 40" stroke, up to 35 strokes per minute, drives T-post up to railroad ties. Integrated post puller to be used with log chain. <b>Includes</b> hoses with 1/2" flush-face couplers (ISO 16028).	948	\$7,410.00
21010L	<b>Hammer EM40 Loaded</b> <b>Includes</b> factory-installed additional weight kit	1148	\$7,900.00
21011	<b>Hammer EM40 with Grapple</b> Grapple for one-man operation.	991	\$8,100.00
21011L	<b>Hammer EM40 with Grapple Loaded</b> <b>Includes</b> grapple and factory-installed additional weight kit	1191	\$8,590.00
21012	<b>Hammer EM40 with Tilt</b> Tilt left or right up to 20°. <b>Includes</b> diverter switch and cigarette lighter adapter that connects to a power port or cigarette lighter inside the cab.	991	\$9,900.00
21012L	<b>Hammer EM40 with Tilt Loaded</b> <b>Includes</b> tilt and factory-installed additional weight kit	1191	\$10,390.00
21013	<b>Hammer EM40 with Grapple and Tilt</b>	1041	\$10,590.00
21013L	<b>Hammer EM40 with Grapple and Tilt Loaded</b> <b>Includes</b> grapple, tilt, and factory-installed additional weight kit	1241	\$11,080.00



## OPTIONAL WIRING HARNESSES

For skid-steers equipped with attachment electrical connection only. Allows Hammer tilt function operation from vehicle joystick controls. 12" length. Replaces 12-volt auxiliary power port plug on SM40.

PN	DESCRIPTION	WT.	PRICE
21220-1	<b>Wiring Harness 8-Pin</b> Used on ASV, Caterpillar, Komatsu, Terex	2	\$192.00
21220-2	<b>Wiring Harness 14-pin</b> Used on Bobcat (prior to 1999), Case, JCB, Kubota, New Holland, Takeuchi, Volvo	2	\$192.00
21220-3	<b>Wiring Harness 14-pin Deere</b> Used on John Deere	2	\$192.00
21220-4	<b>Wiring Harness 14-pin Caterpillar</b> Used on Caterpillar	2	\$192.00
21220-5	<b>Wiring Harness 14-pin</b> Used on Bobcat (1999 and current), Gehl	2	\$192.00
*21220-U1	<b>Wiring Harness 8-pin</b> Universal wiring harness. Contacts are crimped on wire but not installed in connector.	2	\$192.00
*21220-U2	<b>Wiring Harness 14-pin</b> Universal wiring harness. Contacts are crimped on wire but not installed in connector.	2	\$192.00

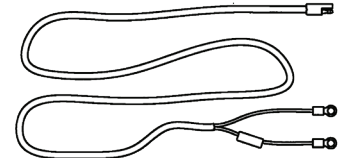


Danuser Machine Company, LLC takes care to ensure the accuracy of the information contained in this price sheet. We assume no liability for errors contained herein. It is the responsibility of the installer to ensure that all of the products are correct before installation. Proper assembly always requires that the installer use all instructions and safety procedures. We assume no liability for any errors made in product selection or installation.

\* Requires connector contacts be installed in a switchable +12 V pin location and ground pin location. Mapping of skid-steer connector pins required.

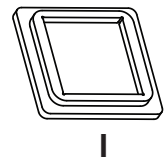
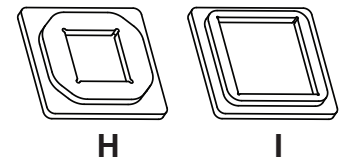
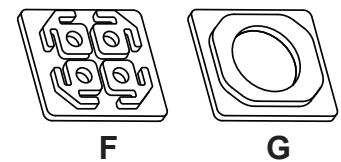
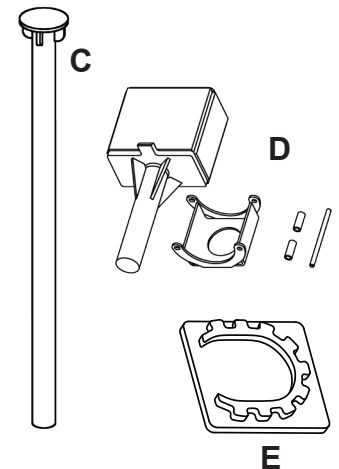
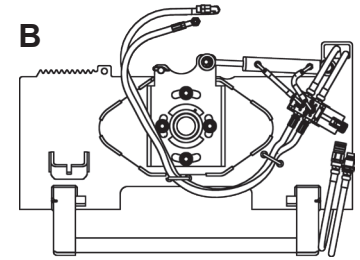
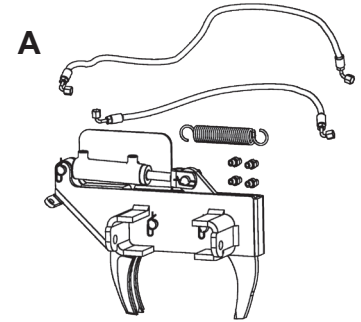
## BATTERY WIRING HARNESS

PN	DESCRIPTION	WT.	PRICE
21253	<b>Wiring Harness - Battery Connection</b> Connects to vehicle battery to supply power for tilt function. Replaces auxiliary power port plug on SM40, LM40, or EM40 standard harness.	2	\$63.00



### ACCESSORIES

REF.	PN	DESCRIPTION	WT.	PRICE
A	21004	<b>SM40 Grapple</b> Grapple for one-person operation, for SM40 Hammers only.	65	\$828.00
--	21014	<b>EM40 / LM40 Grapple</b> Grapple for one-person operation, for EM40 & LM40 Hammers only.	65	\$828.00
B	21005	<b>SM40 Tilt</b> May be added to SM40 Hammers only. Tilt left or right up to 20°. <b>Includes</b> diverter switch and cigarette lighter adapter that connects to a power port or cigarette lighter inside the cab.	200	\$2,662.00
--	21015	<b>LM40 Tilt</b> May be added to LM40 Hammers only. Tilt left or right up to 20°. <b>Includes</b> diverter switch and cigarette lighter adapter that connects to a power port or cigarette lighter inside the cab.	200	\$2,662.00
--	21016	<b>EM40 Tilt</b> May be added to EM40 Hammers only. Tilt left or right up to 20°. <b>Includes</b> diverter switch and cigarette lighter adapter that connects to a power port or cigarette lighter inside the cab.	195	\$2,894.00
C	21149	<b>T-Post Adapter</b> Must be added for driving T-posts.	22	\$173.00
D	21278	<b>Concrete Breaker Kit</b> May be added to all Hammer models to convert to a concrete breaker. Breaks up to 9" thick reinforced concrete. <b>Includes</b> 500 lb. breaker attachment, foot, and additional hardware for assembling.	534	\$2,467.00
E	21212	<b>Strike Plate - Horseshoe</b> Useful for driving smaller diameter pipe in difficult conditions. Aids in keeping the post centered in driver and reduces wear and tear on machine. Does not interfere with operation of the grapple. Works with posts 5" diameter and smaller including T-post adapter.	20	\$87.00
F	21280	<b>Strike Plate - Guard Rail</b> Recommended when driving 6" or 8" I beams. Aids in keeping the guard rail from twisting and shifting. Does not work with grapple.	20	\$100.00
G	21395	<b>Strike Plate - 5" Donut</b> In difficult driving conditions, more effective than Horseshoe Strike Plate in centering pipe. Reduces wear and tear on machine. Makes grappling of pipe more challenging. Works best with a helper to position pipe in Hammer. Preferred by fencing professionals. Works with posts 5" diameter and smaller including T-post adapter.	25	\$87.00
H	180005	<b>Strike Plate - 4" Square</b> Recommended when driving 4" square wood posts.	20	\$87.00
I	180007	<b>Strike Plate - 6" Square</b> Recommended when driving 6" square wood posts.	20	\$87.00
--	21163	<b>Additional Weight Kit</b> Add steel shot for additional driving force. (Up to 60% more power.)	200	\$421.00



**HOSE KITS**

PN	DESCRIPTION	WT.	PRICE
196056	<b>Front-End Loader Hose Kit</b> 1/2" hoses, 25' long, with 1/2" flush-face couplers (ISO 16028) on one end to connect to Hammer hoses, and ISO 7241 Series A couplers (compatible with ISO 5675 Pioneer couplers) on the opposite end to connect to tractor rear remotes. <b>Includes</b> bolt-on/weld-on mounting bracket.	18	\$482.00
186065	<b>Hose Extension Kit</b> Extends Hammer hoses 24" when needed on certain skid-steers (e.g. JCB, Volvo). <b>Includes</b> two 24" hoses and fittings.	3	\$70.00

**REPAIR PARTS & SAFETY SIGNS**

To find repair parts and safety signs, see Danuser's online Parts Catalog at [parts.danuser.com](http://parts.danuser.com).

The Parts Catalog includes all current attachment parts and decals in a user-friendly, accessible, and portable format.

Be sure to have model and serial number at hand to find the correct items.