

Spindles

CTD Group spindles work seamlessly with our wheel and hub product lines.

Our spindles are made of medium carbon steel bars and designed for 14,000 PSI maximum fiber stress on the spindle in the bearing and seal area.

Straight spindles are made from hot rolled or cold drawn bars. Spindles are also available in a range of specialty materials upon request.

Our bent spindles are made from cold drawn bars only and have a minimum bend radius "R" equivalent to its diameter.

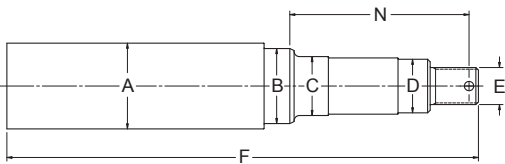


Spindle Specifications

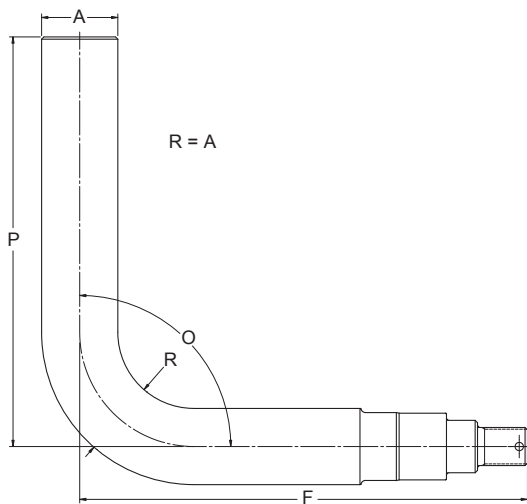
Spindles, hubs, and component parts can be supplied assembled and greased at an additional cost.

Determination of required spindle strength inboard of the seal seat is the responsibility of the buyer.

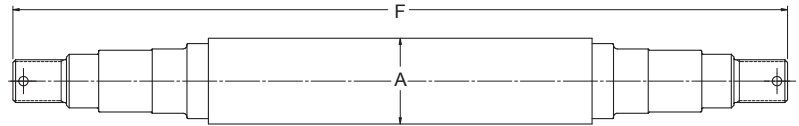
Straight Spindle



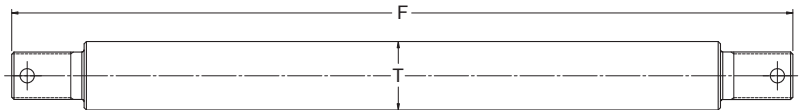
Single Bent Spindle



Double Ended Spindle



Fork Spindle



SPINDLE SERIES	A	B	C	D	E	N
S210	1.23	.999/.998	.999/.998	3/4 - 16NF	4.16	
S210-1	1.23	1.062/1.060	1.061/1.060	7/8 - 14NF	4.25	
S216	1.68	1.375/1.373	1.061/1.060	3/4 - 16NF	4.03	
S411	1.50	1.250/1.248	.750/.748	3/4 - 16UNF	2.93	
S413 (S511)	1.50	1.250/1.248	.750/.748	3/4 - 16UNF	3.78	
S423	1.63	1.500/1.495	1.250/1.248	7/8 - 14UNF	3.46	
S511 (S413)	1.50	1.250/1.248	.750/.748	3/4 - 16UNF	3.81	
S511-1	1.63	1.250/1.248	.750/.748	3/4 - 16UNF	3.81	
S511-2	1.63	1.250/1.248	.750/.748	5/8 - 18UNF	3.81	
S516	1.63	1.375/1.373	.750/.748	3/4 - 16UNF	3.87	
S517	1.75	1.375/1.373	1.250/1.248	7/8 - 14UNF	3.65	
S517-1 (S611-3)	1.50	1.375/1.373	1.250/1.248	7/8 - 14UNF	3.65	
S518	1.50	1.375/1.373	1.250/1.248	7/8 - 14UNF	3.69	
S611	1.75	1.500/1.498	1.250/1.248	1-14UNF	4.06	
S611-1	1.62	1.500/1.498	1.250/1.248	7/8 - 14UNF	3.75	
S611-3	1.50	1.375/1.373	1.250/1.248	7/8 - 14UNF	3.75	
S611-1-J	1.62	1.495/1.493	1.250/1.248	1-14UNS*	3.75	
S611-2-J	1.62	1.495/1.493	1.250/1.248	7/8 - 14UNF	3.69	
S613	1.75	1.500/1.498	1.250/1.248	7/8 - 14UNF	4.34	
S614	2.00	1.781/1.799	1.375/1.373	1-14UNS*	4.09	
S618	2.00	1.750/1.748	1.375/1.373	1-14UNS*	5.00	
S630	2.00	1.625/1.623	1.250/1.248	3/4-UNF	5.15	
S632 (S611)	1.75	1.500/1.498	1.250/1.248	1-14UNS	3.75	
S633 (S811)	2.00	1.796/1.794	1.375/1.373	7/8 - 14UNS	5.18	
S811 (S633)	2.00	1.796/1.794	1.375/1.373	1-14UNS	5.28	
S812	2.50	2.000/1.998	1.312/1.310	1-14UNS	5.46	
S817	3.00	2.250/2.248	1.625/1.623	1 1/4-12UNF	6.44	
S819-J	2.75	2.164/2.162	1.625/1.623	1-14UNS	5.22	
S1010	3.00	2.500/2.498	1.750/1.748	1 1/4-12UNF	6.25	
S1010-3	3.37	2.750/2.748	1.750/1.748	1 1/4-12UNF	6.25	
S1020	4.37	3.543/2.541	2.625/2.623	2 - 12UNF	8.25	
S1030	5.88	4.531/4.529	3.250/3.248	2 1/2 - UN	10.05	

TO CUSTOMER'S SPECIFICATIONS

