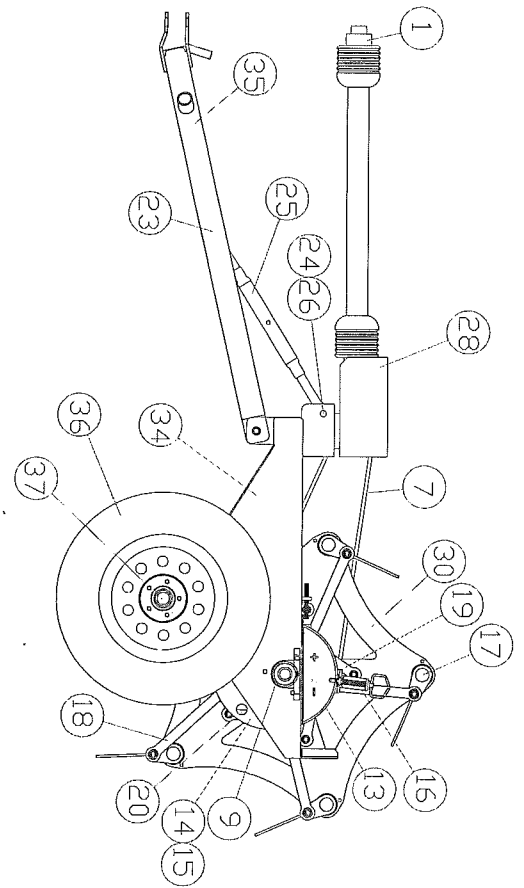
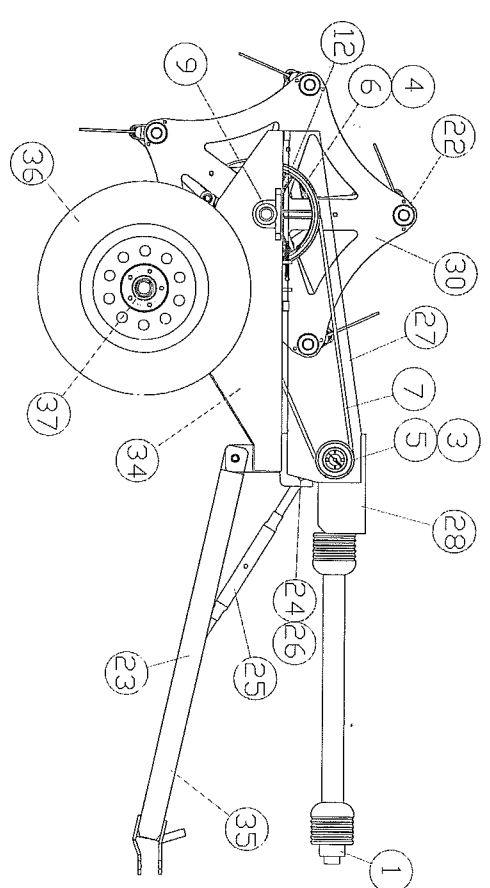


Parts List

Code	Description	Qty Req 7'	Qty Req 9'
1	PTO SHAFT	1	1
2	GEAR BOX	1	1
3	2MBL4.9	1	1
4	PULLLEY	1	1
5	CT-104	1	1
6	BUSHING 1-1/4	1	1
7	BUSHING 1-3/8"	1	1
8	SK-106	1	1
9	BLTBX091	2	2
10	UCF 206-20	2	2
11	SA 206-20	1	1
12	FL6-Z	15	15
13	INSERT 1-1/4 ELC	2	2
14	FLANGETTE 2 BOLT	30	30
15	BEARING 1-3/8	1	1
16	BEARING 1-1/4	1	1
17	VEE BELT	2	2
18	YEE BELT	1	1
19	CAM ONLY	1	1
20	CAM ONLY	1	1
21	CAM ONLY	1	1
22	CAM ONLY	1	1
23	CAM ONLY	1	1
24	CAM ONLY	1	1
25	CAM ONLY	1	1
26	CAM ONLY	1	1
27	CAM ONLY	1	1
28	CAM ONLY	1	1
29	CAM ONLY	1	1
30	CAM ONLY	1	1
31	CAM ONLY	1	1
32	CAM ONLY	1	1
33	CAM ONLY	1	1
34	CAM ONLY	1	1
35	CAM ONLY	1	1
36	CAM ONLY	1	1
37	CAM ONLY	1	1

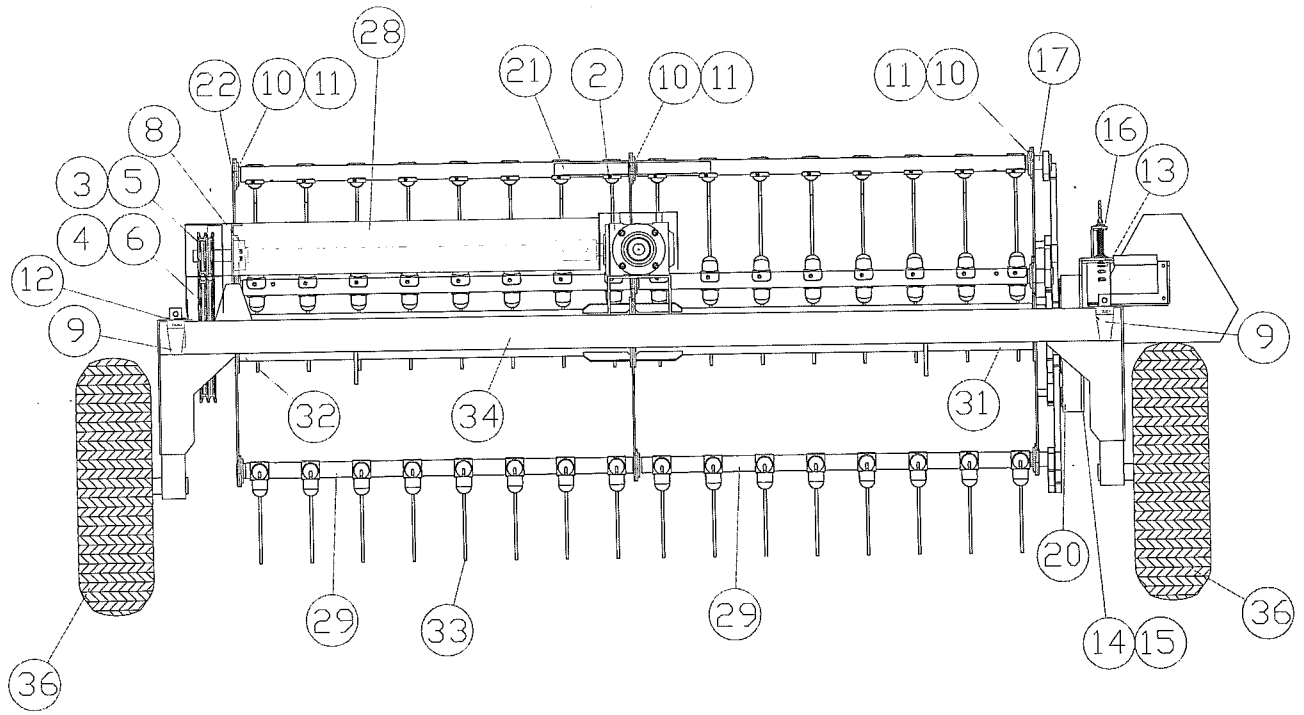


5916  
95-060 - farden wheel assembly 114.86



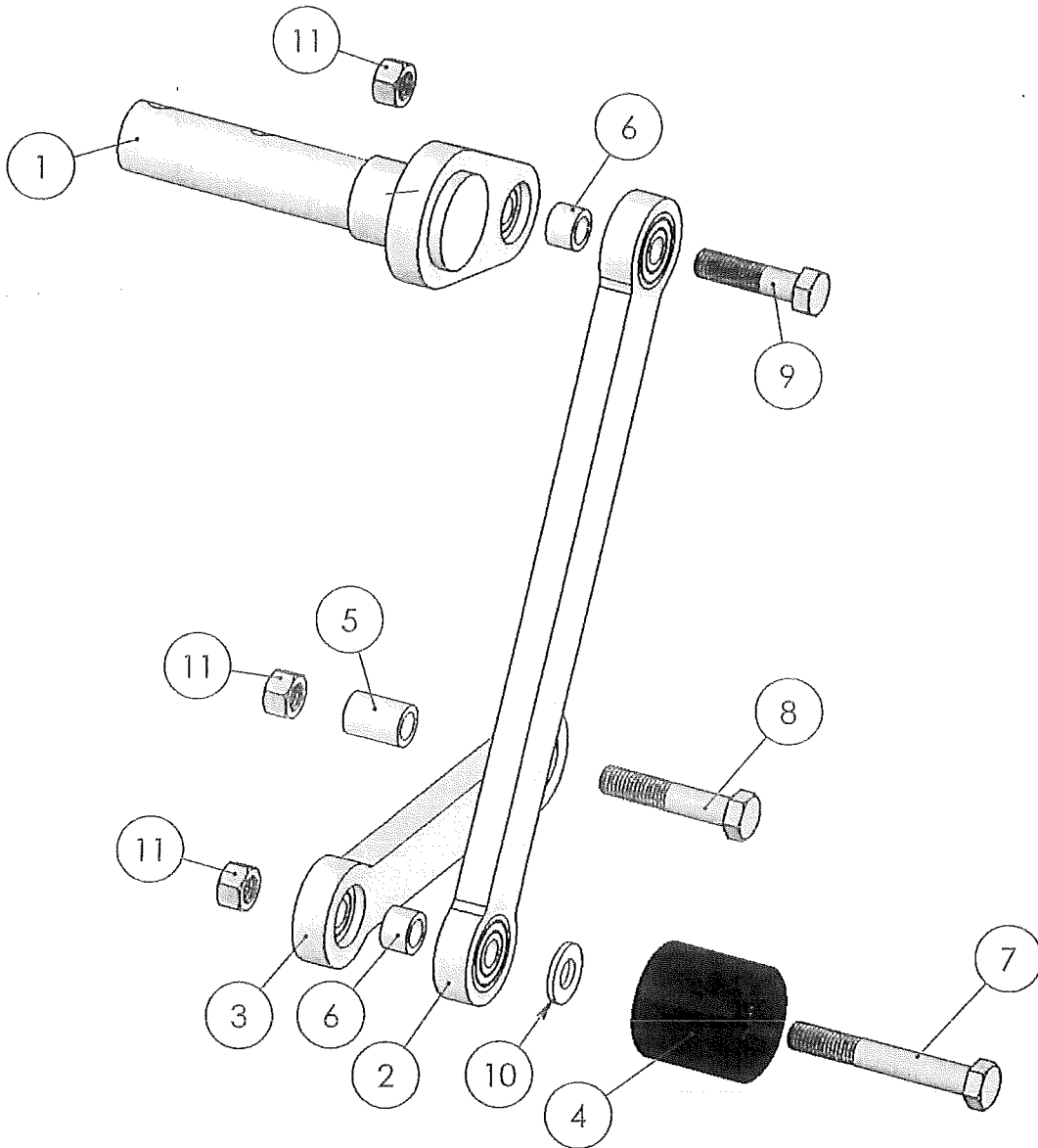
HAY TEDDER  
5710, 5910

April 6 / 2011

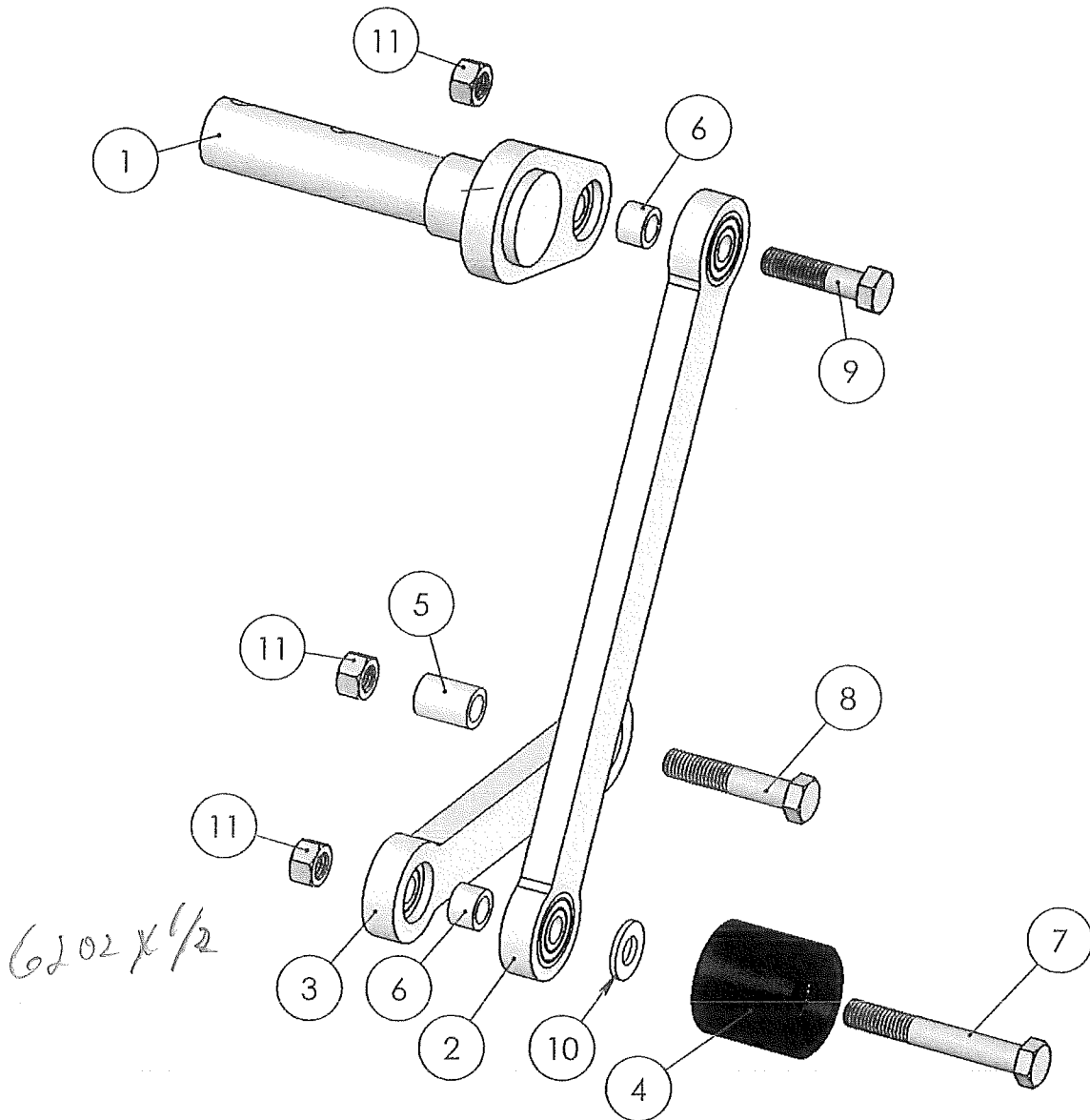


HAY FEEDER  
5710, 5910

April 6 / 2011



ITEM NO.	PART NUMBER	DESCRIPTION	QTY.
1	5910 441 <i>49.40</i>	CAM ARM / BAT PIN ASSEMBLY	1
2	5910 420 <i>36.90</i>	CAM ARM LONG	1
3	5910 430 <i>25.65</i>	CAM ARM SHORT	1
4	5910 410 <i>44.07</i>	CAM ROLLER ASSY	1
5	5910 431 <i>2.16</i>	.75x.5 DOM x 1.060	1
6	5910 421 <i>1.68</i>	.75x.5 DOM x 0.500	2
7	02301 008 308	1/2 UNC HEX BOLT x 3-1/2"	1
8	02301 008 208	1/2 UNC HEX BOLT x 2-1/2"	1
9	02301 008 200	1/2 UNC HEX BOLT x 2"	1
10	02307 008-SAE	1/2 SAE FLAT WASHER	1
11	02312 008*	1/2 UNC NUT SIDE LOCK	3



ITEM NO.	PART NUMBER	DESCRIPTION	QTY.
1	5910 441 <i>49.40</i>	CAM ARM / BAT PIN ASSEMBLY	1
2	5910 420 <i>36.90</i>	CAM ARM LONG	1
3	5910 430 <i>25.65</i>	CAM ARM SHORT	1
4	5910 410 <i>44.07</i>	CAM ROLLER ASSY	1
5	5910 431 <i>2.16</i>	.75x.5 DOM x 1.060	1
6	5910 421 <i>1.68</i>	.75x.5 DOM x 0.500	2
7	02301 008 308	1/2 UNC HEX BOLT x 3-1/2"	1
8	02301 008 208	1/2 UNC HEX BOLT x 2-1/2"	1
9	02301 008 200	1/2 UNC HEX BOLT x 2"	1
10	02307 008-SAE	1/2 SAE FLAT WASHER	1
11	02312 008*	1/2 UNC NUT SIDE LOCK	3