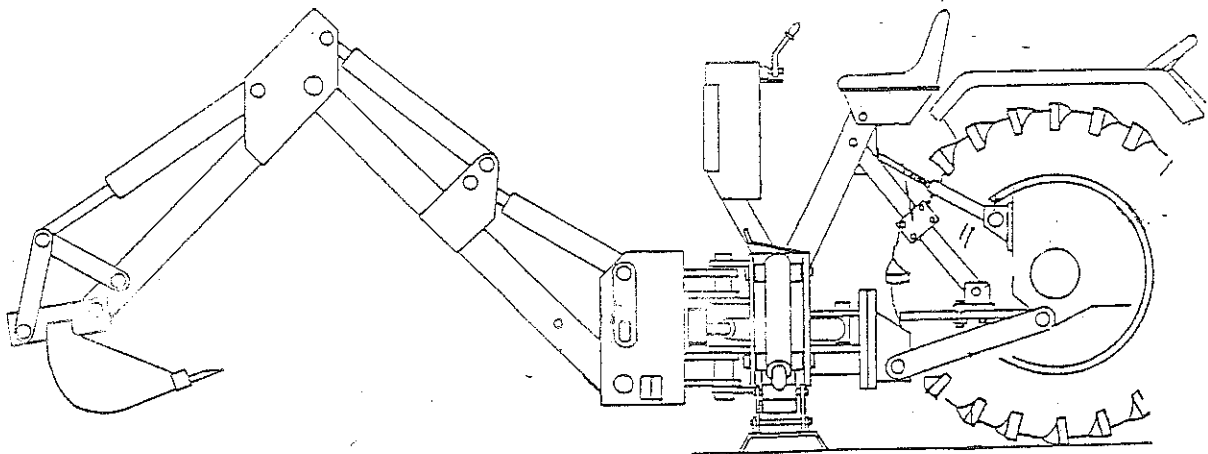


Kelley

B IO A

BACK-HOE

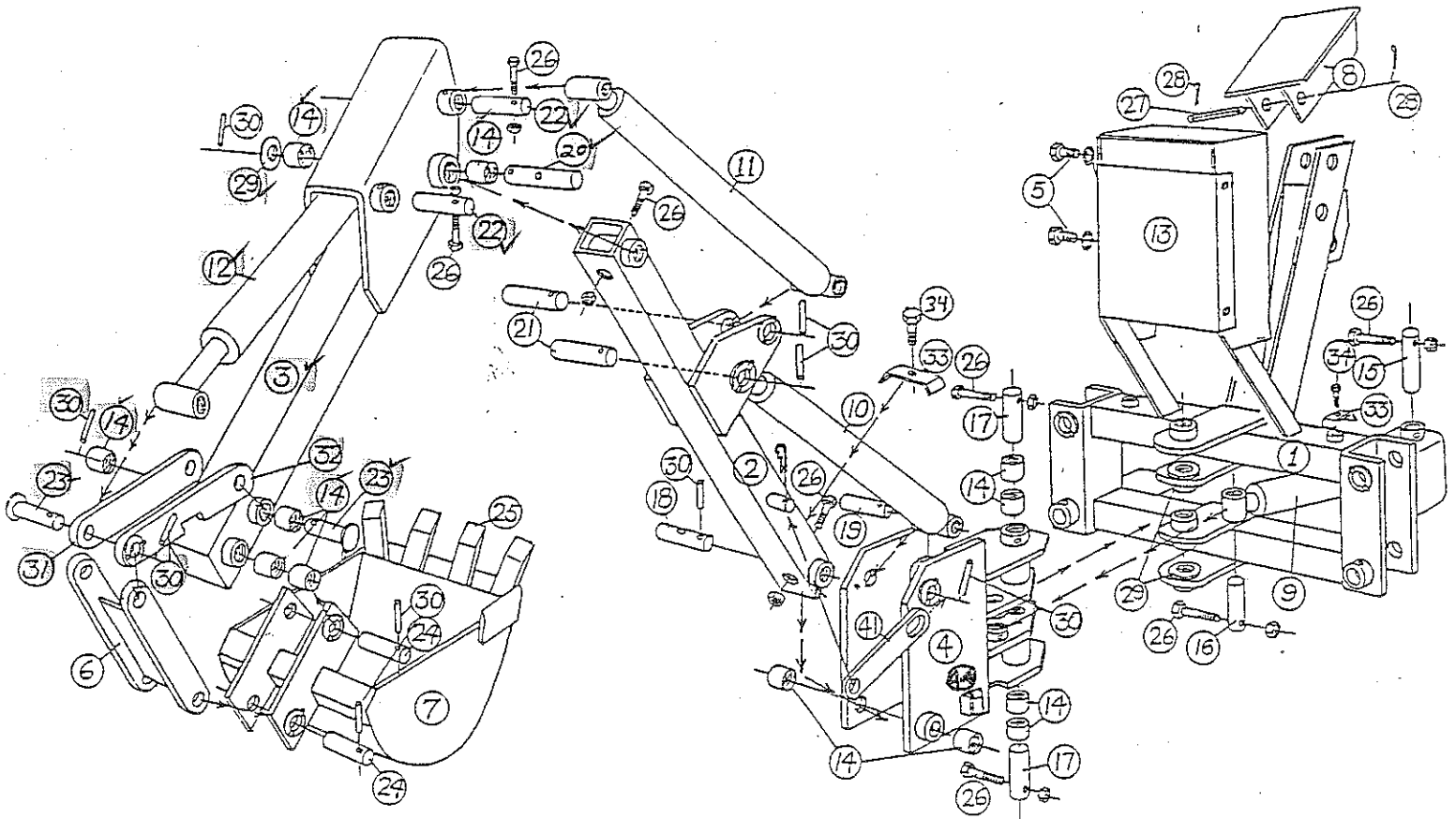
Parts Manual



C.C. Kelley and Son

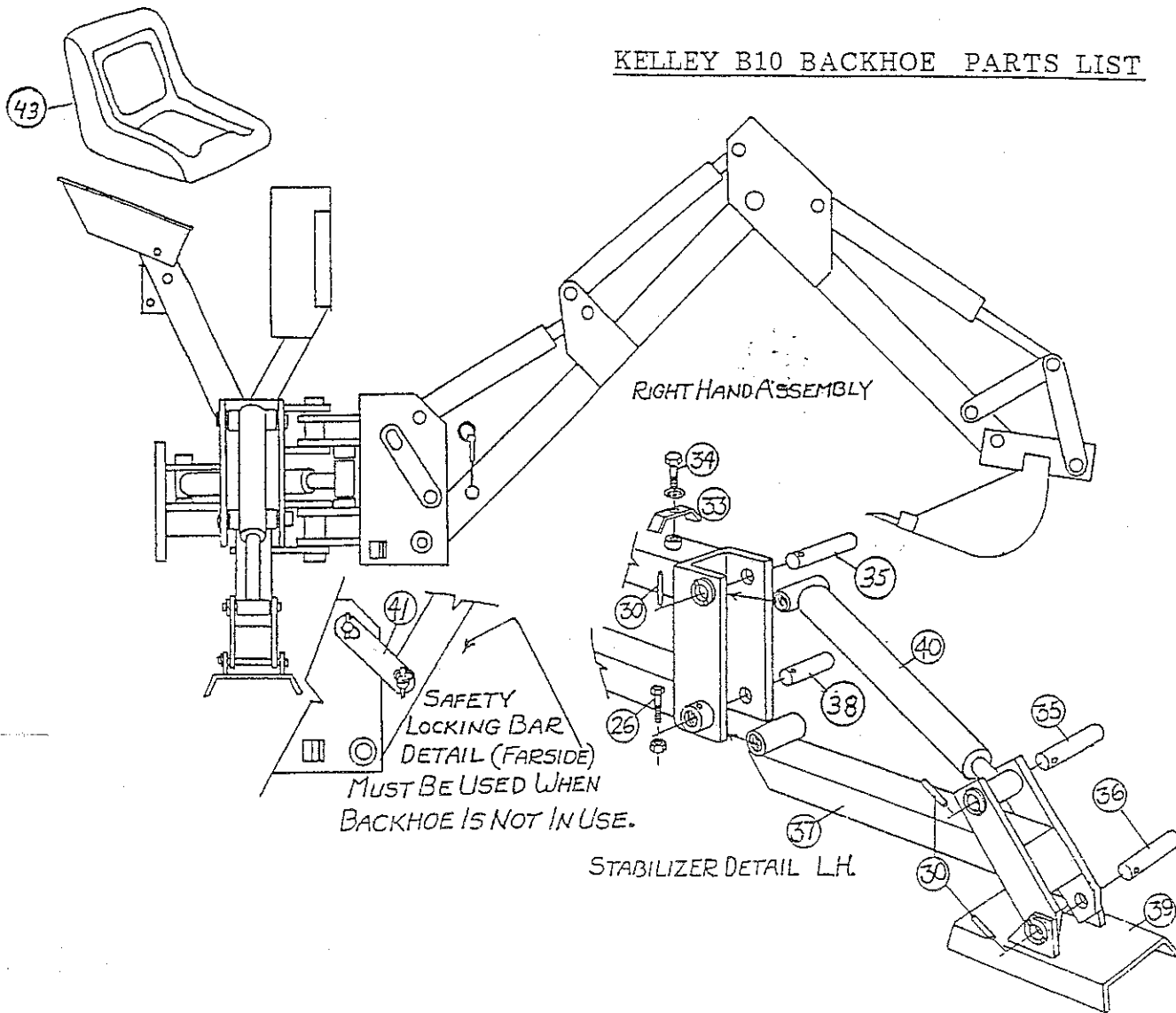
61501 BREMEN HIGHWAY • MISHAWAKA, INDIANA 46544
Telephone (219) 255-4746

KELLEY B10A BACKHOE PARTS LIST



<u>Ill.No.</u>	<u>Qty.</u>	<u>Part No.</u>	<u>Description</u>
1	1	BMF12517	Main Frame Weld Assembly
2	1	BMF12518	Boom Weld Assembly
3	1	BMF12521	Dipper Stick Weld Assembly
4	1	BMF12522	Swing Weld Assembly
5	4	SBT10502	Metal Screw 1/4"x3/4"
6	1	BMF12526	Bucket Link
7		BBK9109	9" Bucket
		BBK9112	12" Bucket
		BBK9115	15" Bucket
8	1	BMS12527	Seat Mount Plate
9	1	BCY12528	Swing Cylinder
10	1	BCY12529	Boom Cylinder
11	1	BCY12530	Dipper Stick Cylinder
12	1	BCY12531	Bucket Cylinder
13	1	BMS12532	Cover
14	12	SFT10986	Bushing 1" ID x 1" STEEL W/ GROOVE
15	1	SPN12541	Pin 1"x5-1/2" with 5/16" hole - Swing Cylinder Base End
16	1	SPN12542	Pin 1"x5-3/8" with 5/16" hole - Swing Cylinder Rod End
17	2	SPN12543	Pin 1"x4-7/8" with 5/16" hole - Swing Pivot
18	1	SPN12544	Pin 1"x7-3/4" with two 5/16" holes - Boom Pivot
19	1	SPN12545	Pin 1"x6-3/8" with two 5/16" holes - Boom Cylinder Base End
20	1	SPN12546	Pin 1"x6-1/2" with Washer and two 5/16" holes - Dipper Stick Pivot
21	2	SPN12547	Pin 1" x 4-7/8" w/ 5/16" hole - Boom Rod End - Dipper Stick Base End
22	2	SPN10457	Pin 1"x6" with 5/16" hole - Dipper Stick Rod End - Bucket Base End
44	2	SMS12807	RUBBER SWING BUMPER

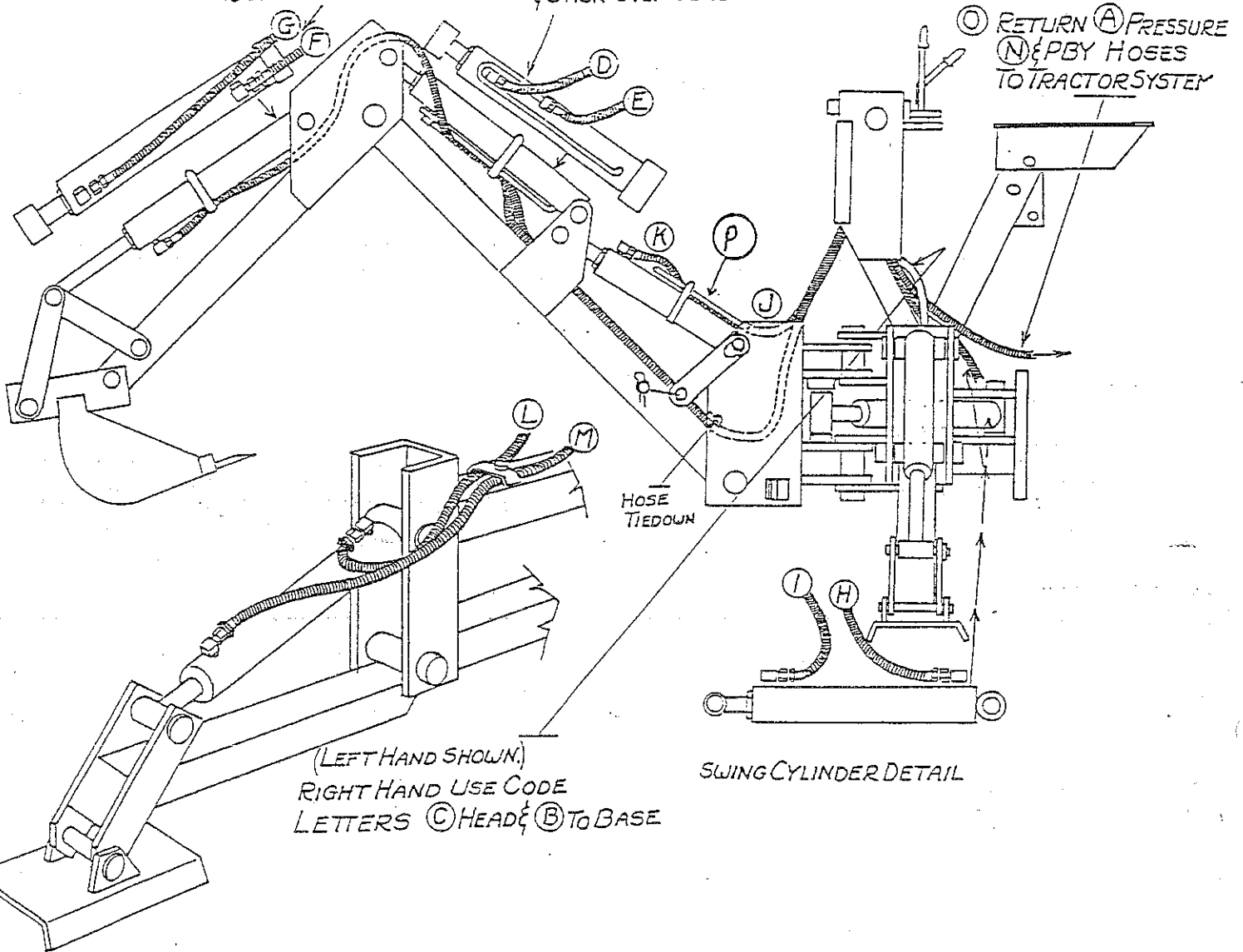
KELLEY B10 BACKHOE PARTS LIST



<u>Ill. No.</u>	<u>Qty.</u>	<u>Part No.</u>	<u>Description</u>
23	2	SPN10990	Pin 1"x6-1/4" with Washer and 5/16" hole - Bucket Linkage
24	2	SPN12548	Pin 1"x6-1/4" with 5/16" hole - Bucket
25		BBK12533	Bucket Tooth Weld-on Replacement
26	10	SBT10795	Capscrew 5/16"x2" GR8
26	10	SNT2018	Nut 5/16"
27	1	SPN12549	Pin 1/2"x6" with two 1/8" holes - Seat Pivot
28	2	SPN2113	Cotter Pins 1/8"x1"
29	3	SWS10984	Spacer Thrust Washer 1"
30	14	SPN10530	Roll pin 5/16"x2"
31	1	BMF12534	Bucket Cylinder Link RH
32	1	BMF12535	Bucket Cylinder Link LH
33	3	SCL10892	Hose Clamp
34	3	SBT2021	Capscrew 3/8"x3/4"
35	4	SPN117	Pin 1"x4" with 5/16" hole - Stabilizer Base and Rod End
36	4	SPN12550	Pin 1"x4-7/8" with 5/16" hole - Stabilizer Pad
37	2	BMF12536	Folding Stabilizer RH & LH
38	2	SPN12551	Pin 1"x5-5/8" with 5/16" hole
39	2	BMF12537	Stabilizer Pad
40	2	BCY12538	Stabilizer Cylinder
41	1	BMF12539	Boom Safety Locking Bar
42	1	SPN11558	Lynch Pin 1/4"
43	1	BMS12510	Seat

KELLEY B10 BACKHOE HOSES

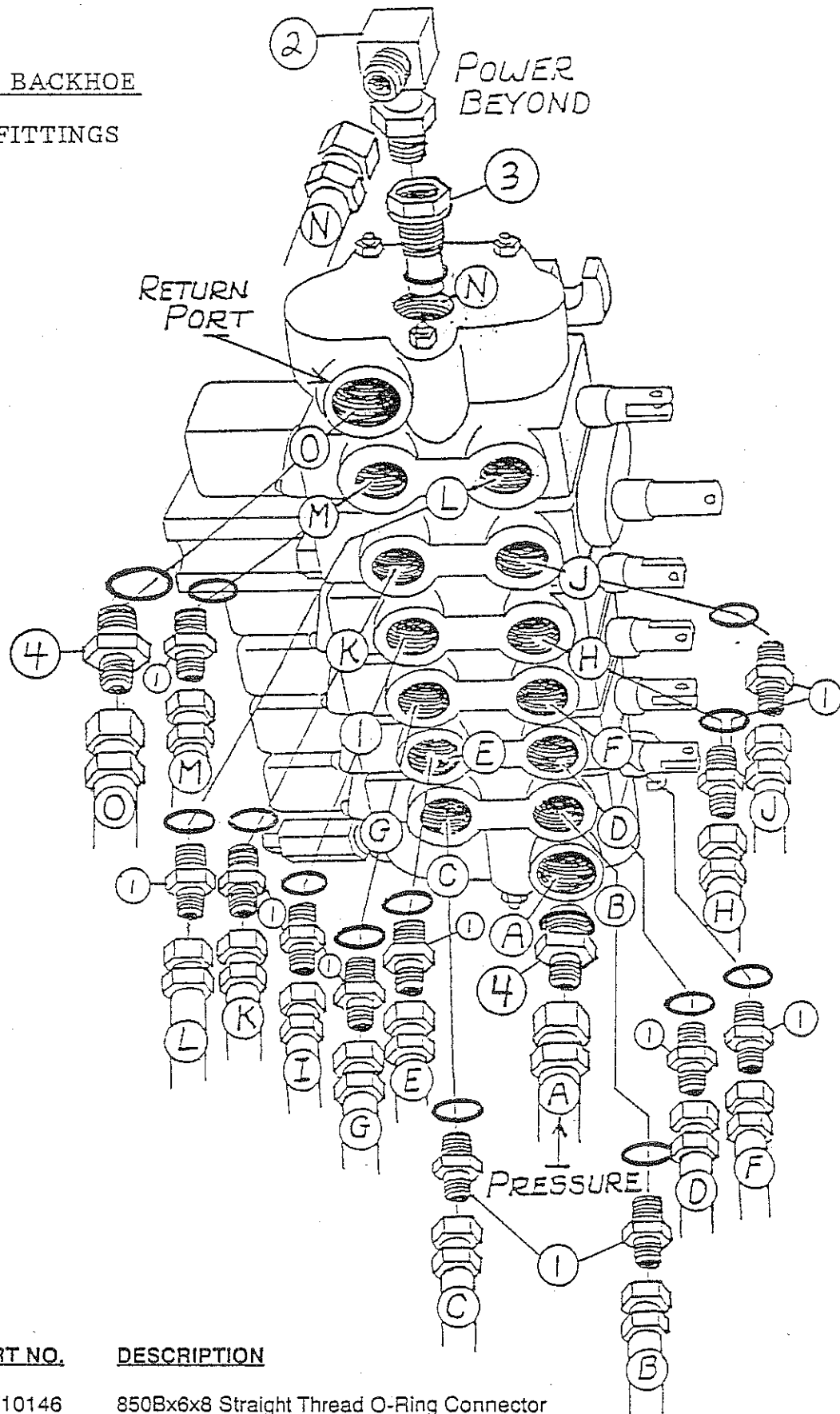
BOTTOM DETAIL OF DIPPER & STICK CYLINDERS



<u>ILL.</u>	<u>NO.</u>	<u>QTY.</u>	<u>PART NO.</u>	<u>DESCRIPTION</u>
A	1		SHO12552	Pressure Hose 6P-50"-6-8JFS
B	1		SHO12495	Stabilizer Right Hand Hose 4P-46"-6JFS-6JFS
C	1		SHO12497	Stabilizer Right Hand Hose 4P-48"-6JFS-6JFS
D	1		SHO12553	Dipper Stick Hose 4P-72"-6JFSA-6JFS
E	1		SHO342	Dipper Stick Hose 4P-67"-6JM-6JFS
F	1		SHO12554	Bucket Hose 4P-102"-6JFS-6JFS
G	1		SHO12555	Bucket Hose 4P-118"-6JFS-6JFS
H	1		SHO12556	Swing Hose 4P-33"-6JFS-6JFS
I	1		SHO11904	Swing Hose 4P-35"-6JFS-6JFS
J	1		SHO10473	Boom Hose 4P-33"-6JM-6JFS
K	1		SHO12557	Boom Hose 4P-42"-6JFS-6JFS
L	1		SHO12295	Stabilizer Hose Left Hand 4P-46"-6JFS-6JFS
M	1		SHO12497	Stabilizer Hose Left Hand 4P-48"-6JFS-6JFS
N	0			Hose must be supplied by dealer, will vary with tractor make and model
O	1		SHO12552	Return Hose 6P-50"-6-8JFS
P	1		BOL11728	Oil Line, U - Shaped

KELLEY B10 BACKHOE

HOSES and FITTINGS



<u>ILL. NO.</u>	<u>QTY.</u>	<u>PART NO.</u>	<u>DESCRIPTION</u>
1	12	SFT10146	850Bx6x8 Straight Thread O-Ring Connector
2	1	SFT10066	853Bx8x10 Straight Thread O-Ring 90° Elbow
3	1	255049	Power Beyond Sleeve
4	2	SFT10079	850Bx8x10 Straight Thread O-Ring Connector

CONTROL VALVE

B10-B15

DESCRIPTION

CONTROL BASE MS (BUILT SINCE JAN 1, 1993)
 RH CONTROL THRUION
 LH CONTROL THRUION
 SHOULDER BOLT 5/16" x 7/8"
 5/16" x 5/8" CAPSCREW
 5/16" LOCKWASHER
 RH SHORT LINK
 LH LONG LINK
 CONTROL LEVER, STABILIZER
 CONTROL LEVER, RH MAIN
 CONTROL LEVER, LH MAIN
 PINS, 1/4" x 3/4"

PART NO.

BMS12869
 BMS12667
 BMS12668
 SHT11374
 SBT100819
 SMS2019
 SMS12669
 SMS12671
 BMS12672
 BMS12674
 BMS12675
 SPR11379

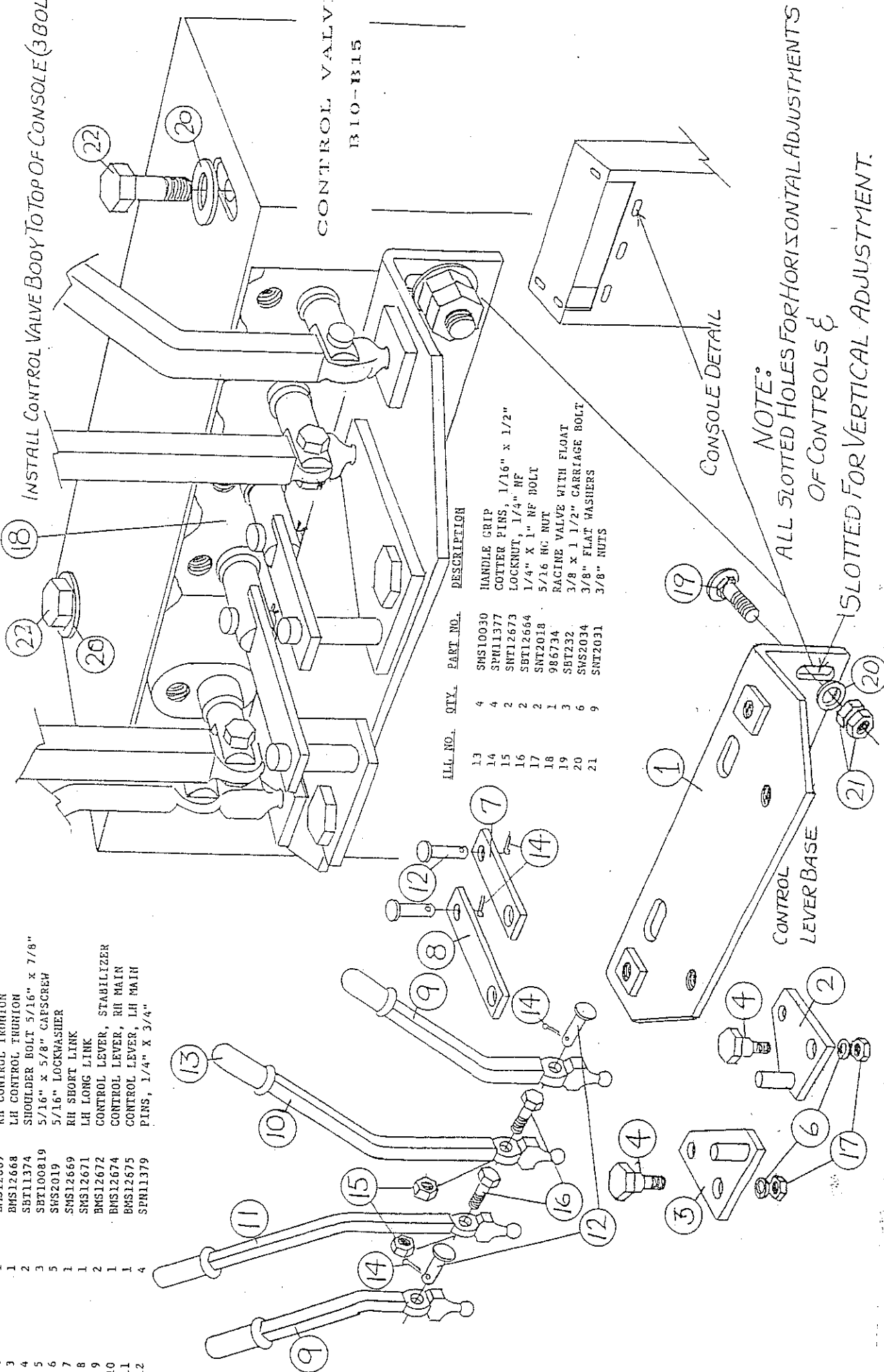
QTY.

1
 1
 1
 1
 2
 3
 5
 7
 1
 1
 2
 1
 1
 1
 1
 4

ILL. NO.

1
 2
 3
 4
 5
 6
 7
 8
 9
 10
 11
 12

INSTALL CONTROL VALVE BODY TO TOP OF CONSOLE (3 BOLT)

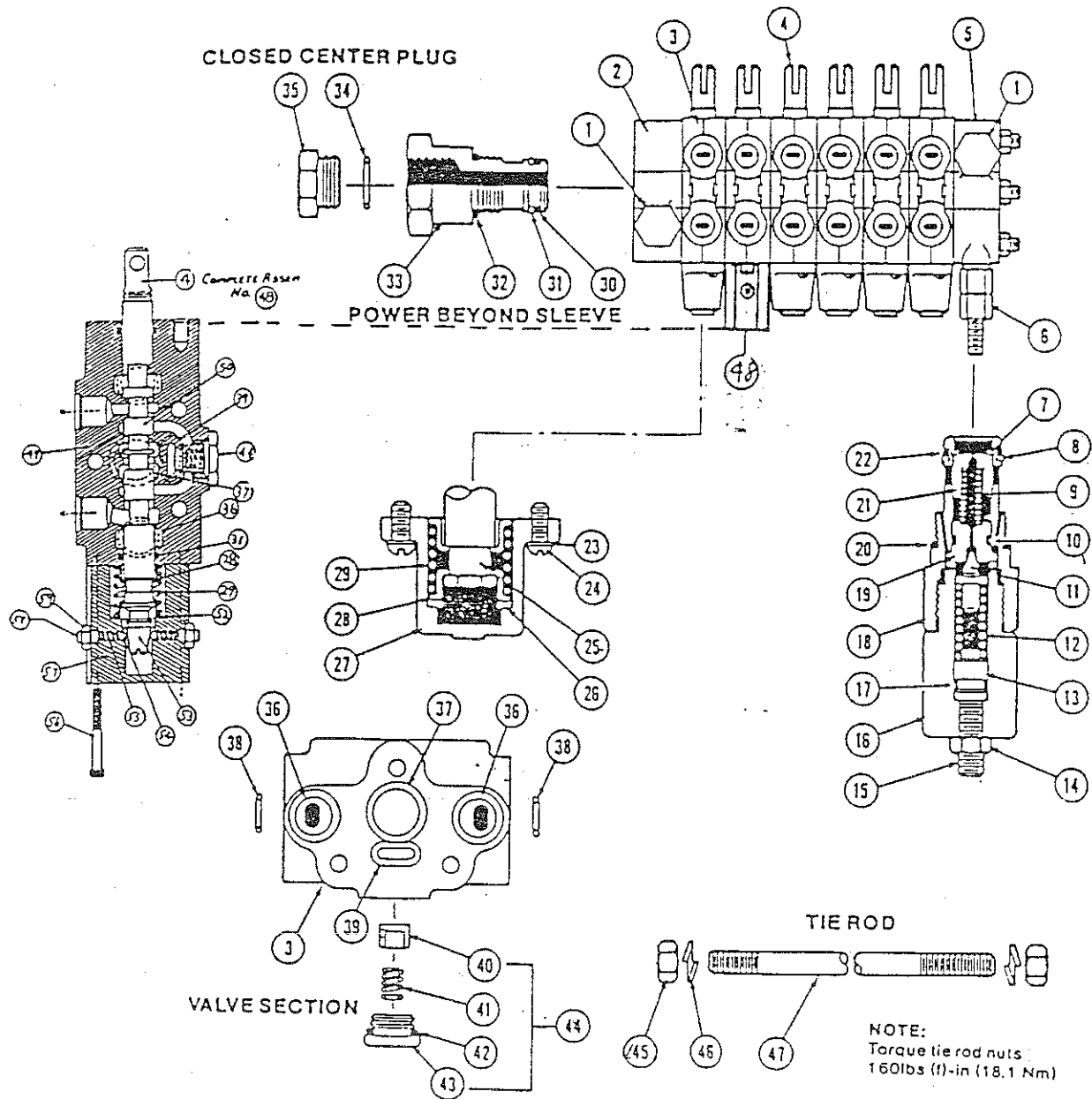


CONTROL VALVE
 B10-B15

ILL. NO.	QTY.	PART NO.	DESCRIPTION
13	4	SMS10030	HANDLE GRIP
14	4	SPR11377	COTTER PINS, 1/16" x 1/2"
15	2	SNT12673	LOCKNUT, 1/4" NF
16	2	SBT12664	1/4" x 1" NF BOLT
17	2	SNT12018	5/16" NC NUT
18	1	986734	RACINE VALVE WITH FLOAT
19	3	SBT232	3/8 x 1 1/2" CARRIAGE BOLT
20	6	SMS2034	3/8" FLAT WASHERS
21	9	SNT2031	3/8" NUTS

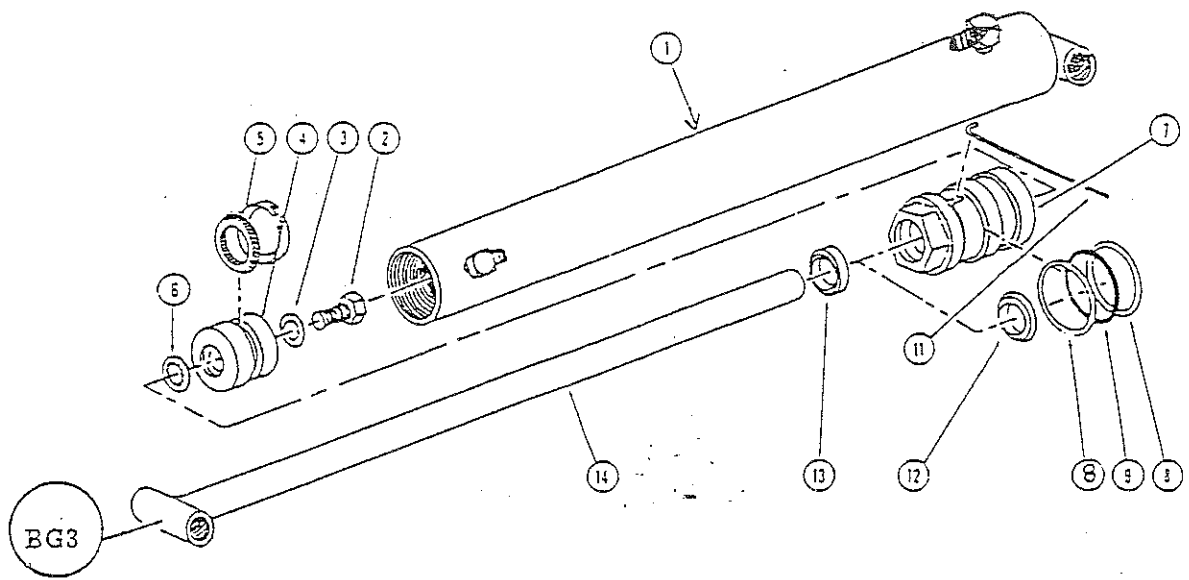
CONSOLE DETAIL

NOTE:
 ALL SLOTTED HOLES FOR HORIZONTAL ADJUSTMENTS
 OF CONTROLS &
 SLOTTED FOR VERTICAL ADJUSTMENT.



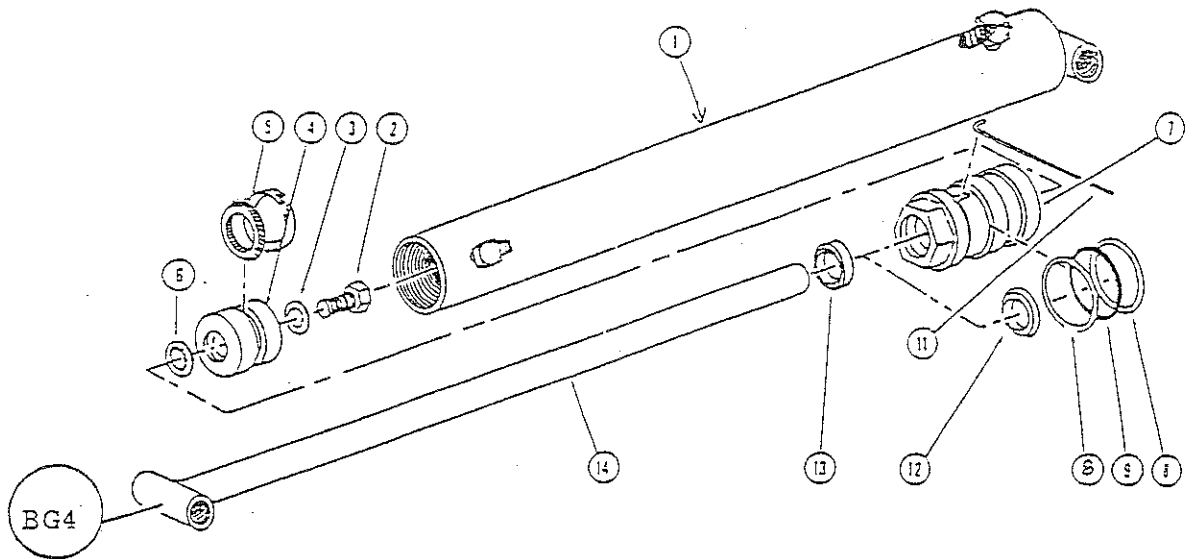
RACINE SIX SECTION VALVE

III. No.	Qty.	Part No.	Description	III. No.	Qty.	Part No.	Description
1	2	785038	#10 S.A.E. Plug Assembly	30	1	406460	O'Ring
2	1	254009	Outlet Manifold Section With #10	31	1	490975	Back-up Ring
3	5	254006	Valve Section With #8 Openings	32	1	405688	O'Ring
4	6	255002	Female Spool End	33	1	255049	Power Beyond Sleeve
5	1	254016	Inlet Manifold Section With #10	34	1	405393	O'Ring
6	1	785058	Relief Valve Cartridge	35	1	355099	#8 Plug
7	1	410502	Snap Ring	36	12	490308	O'Ring
8	1	490963	Back-up Ring	37	6	405895	O'Ring
9	1	493785	Spring	38	12	401248	O'Ring
10	1	407229	Seat O'Ring	39	6	406127	O'Ring
11	1	255096	Poppet	40	6	255021	Load Check Piston
12	1	493850	Spring	41	6	410520	Spring
13	1	255145	Spring Seat	42	6	405688	O'Ring
14	1	401009	Jam Nut	43	6	255020	Plug
15	1	410540	Adjustment Screw	44	6	785011	Load Check Assembly
16	1	255146	Cartridge Body	45	6	401033	Tie Rod Nut
17	1	401273	Spring Seat O'Ring	46	6	400908	Tie Rod Lockwasher
18	1	255042	Cartridge Body	47	3	255162	Tie Rod
19	1	255040	Seat	48	1	981122	Boom Section W/Float Position
20	2	405393	Cartridge Body O'Ring	49	1	254242	Valve Body
21	1	255041	Piston	50	1	255257	Spool, Float
22	1	406484	O'Ring	52	1	255258	Spring Retainer
23	12	400905	Lockwasher	53	1	255305	Spool End, Float
24	12	401603	Screw	54	2	401072	Ball, Decent
25	6	255035	Spool End	55	2	410560	Spring, Decent
26	6	255034	Spacer	56	2	402964	Screw, Allen Head
27	6	254000	Cover	57	1	254235	Lower Extension
28	11	255013	Spring Retainer	58	2	410540	Screw, Allen Head
29	6	410512	Spring	59	2	401032	Nuc



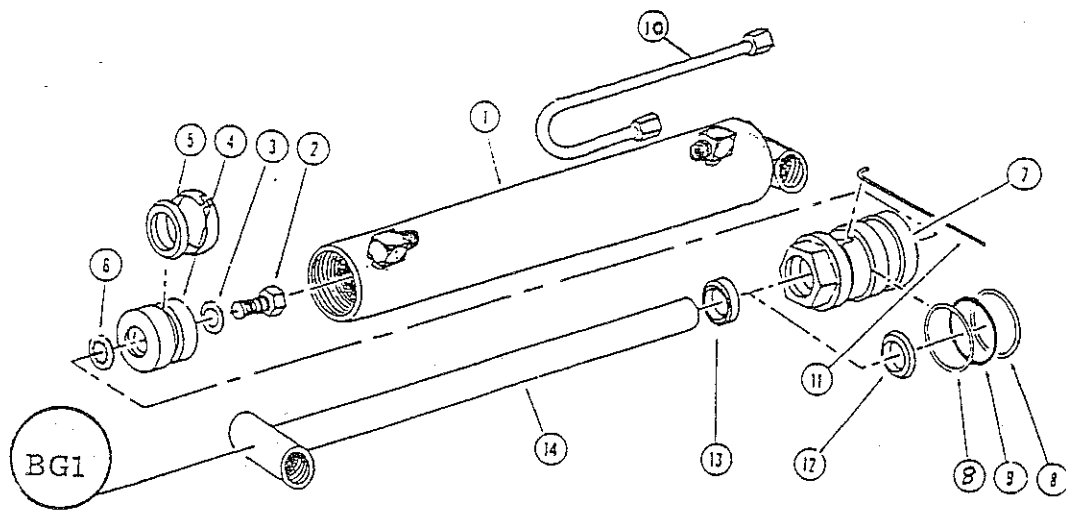
BCY12531 BUCKET CYLINDER 2" X 12"

ILL. NO.	QTY.	PART NO.	DESCRIPTION	ILL. NO.	QTY.	PART NO.	DESCRIPTION
1	1	SCY12563	BARREL ASSEMBLY	8*	2	SCY1070	BACK-UP RINGS
2	1	SBT1017	CAPSCREW, 7/8"	9*	1	SCY1024	O'RING
3*	1	SCY1018	DYNA SEAL, 7/8"	11*	1	SCY1036	LOCKWIRE
4	1	SCY1020	PISTON	12*	1	SCY1025	ROD SEAL
5*	1	SCY1019	PISTON SEAL	13*	1	SCY1027	ROD WIPER
6*	1	SWS245	INTERNAL LOCKWASHER	14	1	SCY12564	ROD ASSEMBLY
7	1	SCY1023	CYLINDER HEAD		1	SCY1038	SEAL KIT



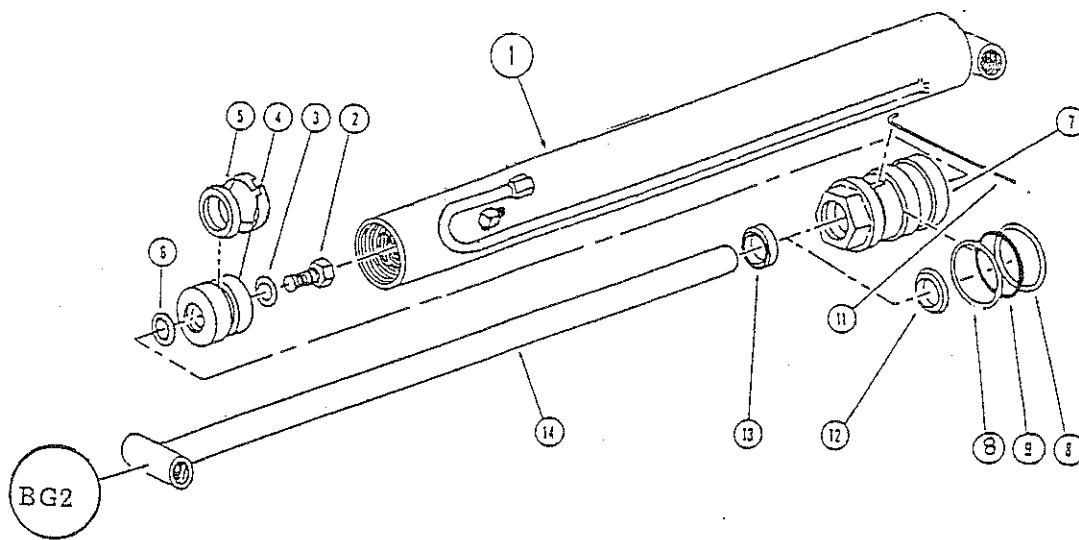
BCY12538 STABILIZER CYLINDER 2 X 8"

ILL. NO.	QTY.	PART NO.	DESCRIPTION	ILL. NO.	QTY.	PART NO.	DESCRIPTION
1	1	SCY12565	BARREL ASSEMBLY	8*	2	SCY1070	BACK-UP RINGS
2	1	SBT1017	CAPSCREW, 7/8"	9*	1	SCY1024	O'RING
3*	1	SCY1018	DYNA SEAL, 7/8"	11*	1	SCY1036	LOCKWIRE
4	1	SCY1020	PISTON	12*	1	SCY1025	ROD SEAL
5*	1	SCY1019	PISTON SEAL	13*	1	SCY1027	ROD WIPER
6*	1	SWS245	INTERNAL LOCKWASHER	14	1	SCY12566	ROD ASSEMBLY
7	1	SCY1023	CYLINDER HEAD		1	SCY1038	SEAL KIT



BCY12529 BOOM CYLINDER 2-1/2" X 14"

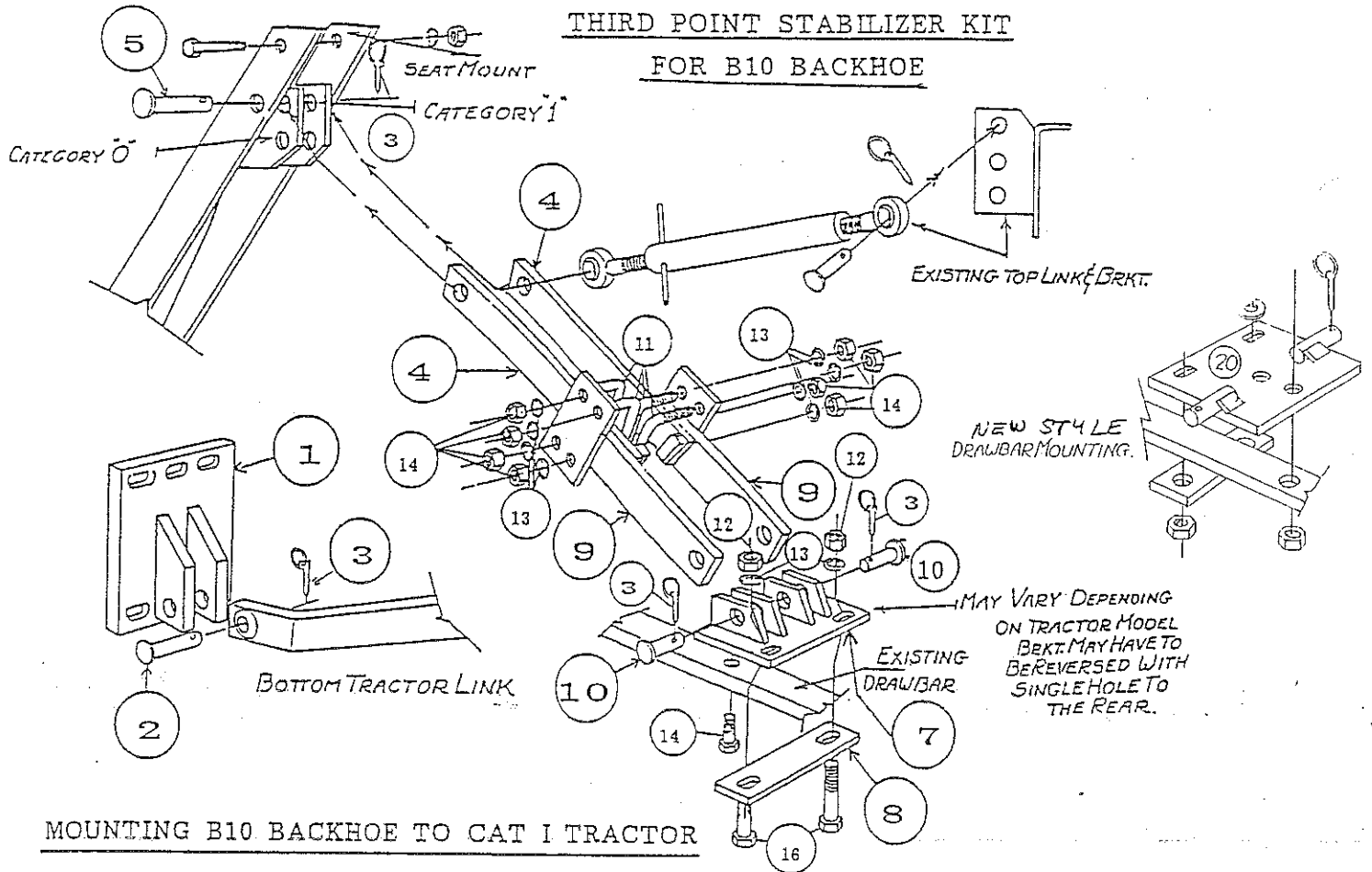
ILL. NO.	QTY.	PART NO.	DESCRIPTION	ILL. NO.	QTY.	PART NO.	DESCRIPTION
1	1	SCY12559	BARREL ASSEMBLY	8*	2	SCY1070	BACK-UP RINGS
2	1	SBT1017	CAPSCREW, 7/8"	9*	1	SCY1024	O'RING
3*	1	SCY1018	DYNA SEAL, 7/8"	11*	1	SCY1036	LOCKWIRE
4	1	SCY1020	PISTON	12*	1	SCY1025	ROD SEAL
5*	1	SCY1019	PISTON SEAL	13*	1	SCY1027	ROD WIPER
6*	1	SWS245	INTERNAL LOCKWASHER	14	1	SCY12560	ROD ASSEMBLY
7	1	SCY1023	CYLINDER HEAD		1	SCY1030	SEAL KIT
				10	1	BOL11728	OIL LINE, U-SHAPED



BCY12530 DIPPER STICK CYLINDER 2-1/2" X 10"

ILL. NO.	QTY.	PART NO.	DESCRIPTION	ILL. NO.	QTY.	PART NO.	DESCRIPTION
1	1	SCY12561	BARREL ASSEMBLY	8*	2	SCY1070	BACK-UP RINGS
2	1	SBT1017	CAPSCREW, 7/8"	9*	1	SCY1024	O'RING
3*	1	SCY1018	DYNA SEAL, 7/8"	11*	1	SCY1036	LOCKWIRE
4	1	SCY1020	PISTON	12*	1	SCY1025	ROD SEAL
5*	1	SCY1019	PISTON SEAL	13*	1	SCY1027	ROD WIPER
6*	1	SWS245	INTERNAL LOCKWASHER	14	1	SCY12562	ROD ASSEMBLY
7	1	SCY1023	CYLINDER HEAD		1	SCY1030	SEAL KIT

THIRD POINT STABILIZER KIT
FOR B10 BACKHOE



MOUNTING B10 BACKHOE TO CAT I TRACTOR

PACKING LIST FOR BMT12509

THIRD POINT STABILIZER KIT
FOR B10 BACKHOE

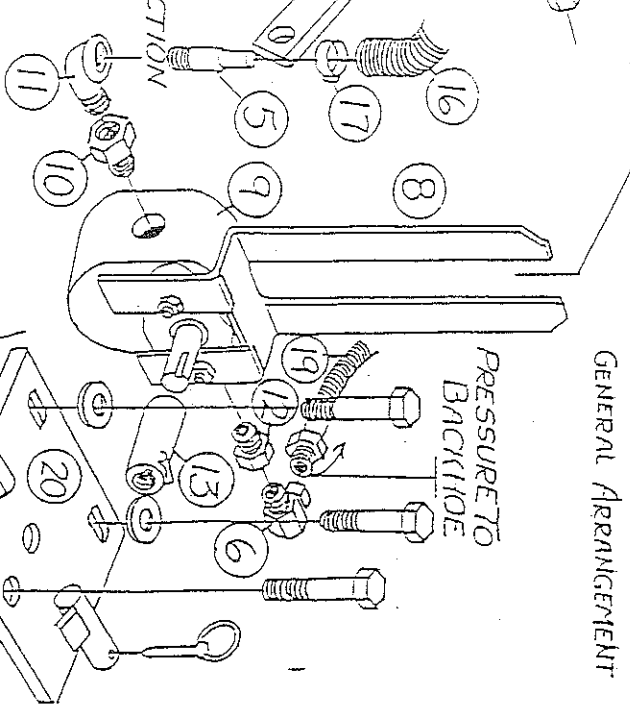
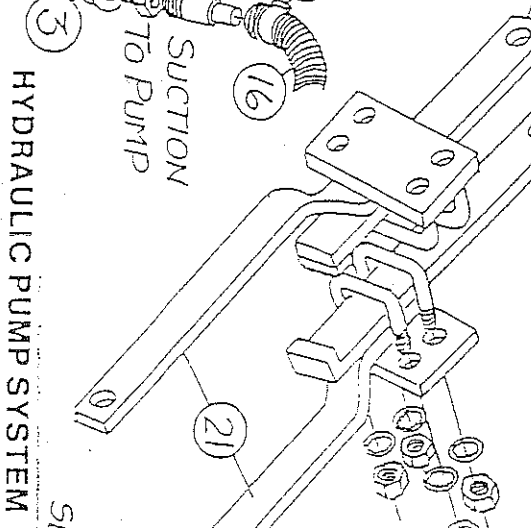
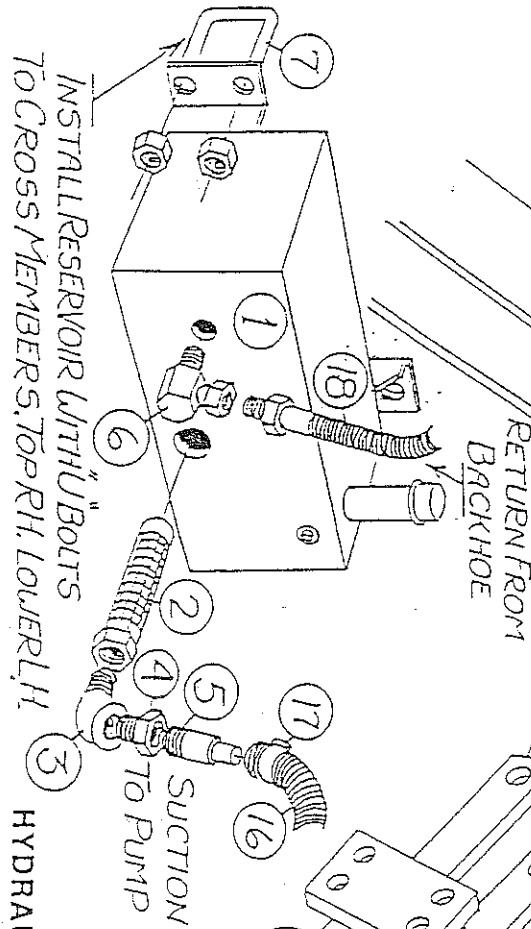
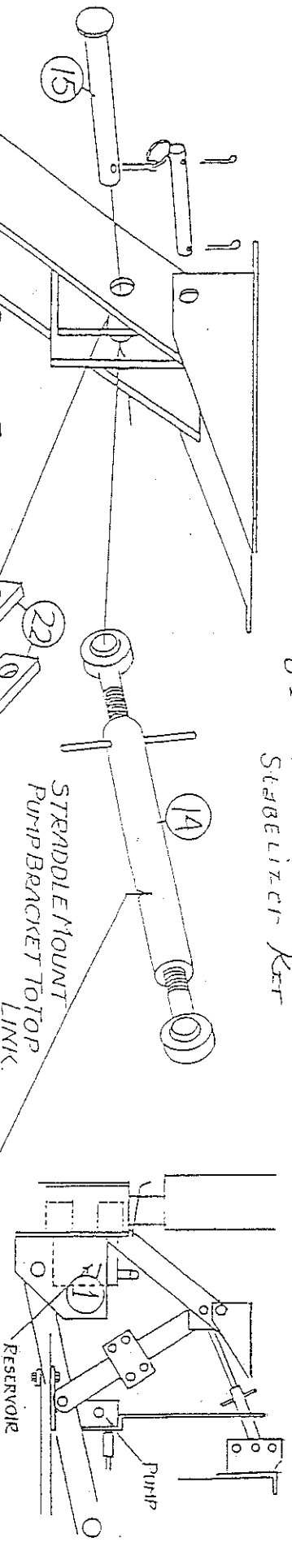
<u>ILL.</u>	<u>PART NO.</u>	<u>QTY</u>	<u>DESCRIPTION</u>
1	BMT12572	1	RH LOWER BRACKET
1	BMT12573	1	LH LOWER BRACKET
2	SPN12568	2	PINS 7/8" X 3 1/2" WITH WASHER
3	SPN11558	3	1/4" LYNCH PINS
4	BMT12571	2	BAR WITH END BENT
5	SPN12569	1	PIN 3/4" X 5-3/4" WITH WASHER
9	BMT12570	2	BAR WITH PLATES
11	SBT190	4	U-BOLT 5/8" X 2" X 3 1/2"
12	SNT2086	16	5/8" NUTS
13	SWS2088	16	5/8" LOCKWASHERS
NI	SBT2068	8	CAPSCREW 5/8" X 2"
NI	SWS2089	8	5/8" LOCKWASHERS

PACKING LIST FOR BMT12524

DRAWBAR BRACKET

<u>ILL.</u>	<u>PART NO.</u>	<u>QTY.</u>	<u>DESCRIPTION</u>
3	SPN11558	2	1/4" LYNCH PINS
7	BWD12524	1	DRAW BAR BRACKET
8	BMT12574	1	BOTTOM PLATE
10	SPN12575	2	PIN 3/4" X 2 1/2" W/WASHER P.
12	SNT2086	3	5/8" NUTS
NI	SWS2103	1	3/4" LOCKWASHER
13	SWS2088	3	5/8" LOCKWASHERS
14	SBT2093	1	3/4" X 2 1/2" CAPSCREW
14	SBT2070	1	5/8" X 2 1/2" CAPSCREW
NI	SNT2102	1	3/4" NUT
16	SBT11452	2	5/8" X 3" CAPSCREW
13	SWS2089	5	5/8" FLATWASHERS

BCP 12750
B10 Pump Mounting & Stabilizer Kit



Reference No.	Quantity	Part Number	Description
1	1	9991001-1	Reservoir
2	2	SFT2839	Breather Cap
3	2	SFT7332	Street Elbow 1/2"
4	2	SHO10015	Suction Hose 16R-0-0-35"
5	2	SFT12640	Hose Clamp 1"
6	2	SFT12640	Hose Clamp 1"
7	2	SFT12640	Hose Clamp 1"
8	1	SFT12640	Hose Clamp 1"
9	1	SFT12640	Hose Clamp 1"
10	1	SPP14104	Pump Adaptor C3296 X 1.4 X 1.2
11	1	SPP14104	Webster YC194 Pump Drive
12	1	SPP14104	Webster YC194 Pump Drive
13	1	SMS101	Caoscrew 7/16 X 1 1/2"
14	1	SMS101	Caoscrew 7/16 X 1 1/2"
15	1	SFT10105	Pressure Fittings C3296 X 10 X 8
16	1	SW52042	Lockwasher 7/16"
17	2	SFT10105	90° Reducer Elbow 1/2" X 1"
18	1	SFT10105	Close Nipple 1"
19	1	SPP2310	Filler
20	2	SFT92240	Caoscrew 3/8" X 2 1/2"
21	2	SFT92240	Flalwasher 3/8"
22	2	SW52033	Lockwasher 3/8"
23	2	SFT2021	Nut 3/8"
24	1	SFT2021	Pipe Plug 1/2"
25	1	SHO252	Return Hose 8P-8JFS-9-50" (Already on Backhoe)
NI	2	SBT2043	Caoscrews 1/2" X 1 1/2"
NI	2	SW52033	Lockwasher 1/2"
NI	2	SMT	Nut 1/2"
NI	2	BCF	Parts Carton (All Parts Except Reservoir) B10

Reservoir
Breather Cap
Street Elbow 1/2"
Suction Hose 16R-0-0-35"
Hose Clamp 1"
Hose Clamp 1"
Hose Clamp 1"
Hose Clamp 1"
Hose Clamp 1"
Pump Adaptor C3296 X 1.4 X 1.2
Webster YC194 Pump Drive
Webster YC194 Pump Drive
Caoscrew 7/16 X 1 1/2"
Caoscrew 7/16 X 1 1/2"
Pressure Fittings C3296 X 10 X 8
Lockwasher 7/16"
90° Reducer Elbow 1/2" X 1"
Close Nipple 1"
Filler
Caoscrew 3/8" X 2 1/2"
Flalwasher 3/8"
Lockwasher 3/8"
Nut 3/8"
Pipe Plug 1/2"
Return Hose 8P-8JFS-9-50" (Already on Backhoe)
Caoscrews 1/2" X 1 1/2"
Lockwasher 1/2"
Nut 1/2"
Parts Carton (All Parts Except Reservoir) B10

Kelley

FARM EQUIPMENT