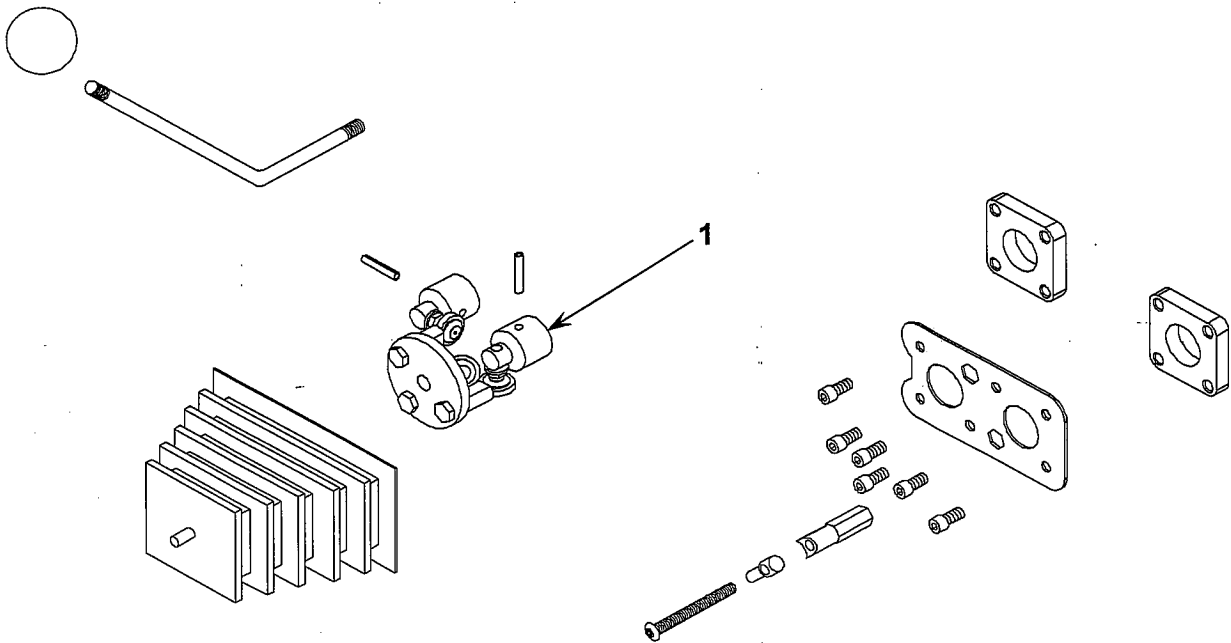


V-021020000 PARTS LIST

DR. BY: JLR DATE: 12/27/2000 RN: 1 DATE: 1/16/2013 BY: BWP PAGE: 1 OF 8

REF.	PART NO.	DESCRIPTION	QTY.
1	KVJ-2B	DIRECT JOYSTICK	1



WESTENDORF MFG. CO. INC.

ONAWA, IOWA 51040 PHONE (712) 423-2762

ASSEMBLY INSTRUCTIONS

V-021020000

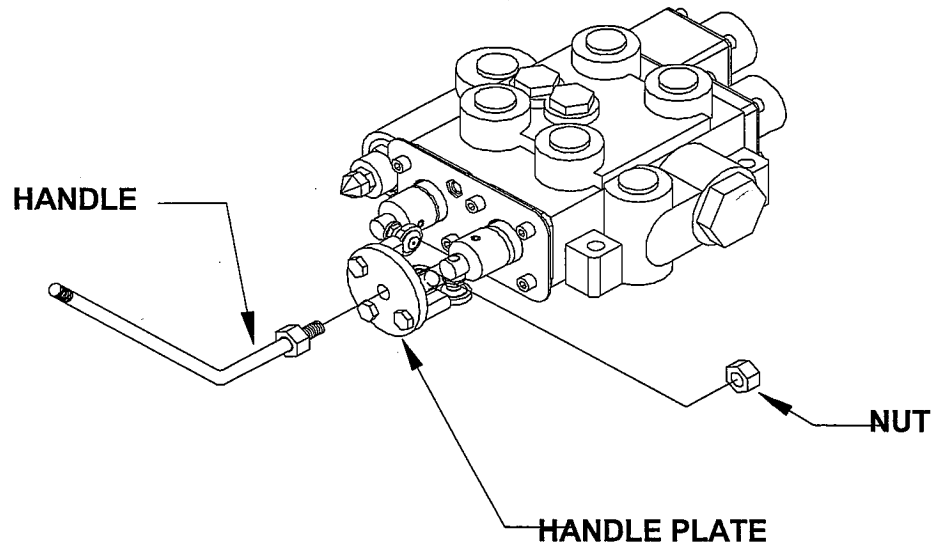
DATE: 1/16/2013

RN: 1 BWP

PAGE: 6 OF 8

STEP: 7

ATTACH HANDLE

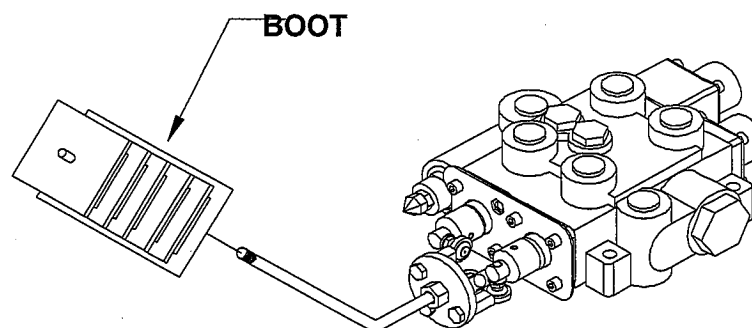


STEP: 7

- A) Insert the end of the handle with the nut already attached through the center hole in the handle plate and secure in place using the nut.
- B) Adjust the handle to the desired position and tighten both nuts.

STEP: 8

ATTACH BOOT



STEP: 8

- A) Slide the boot over the handle, positioning the boot so it covers the two spools and the plate. make sure that the relief remains uncovered. The excess rubber on the edge of the boot may be carefully trimmed away if desired.