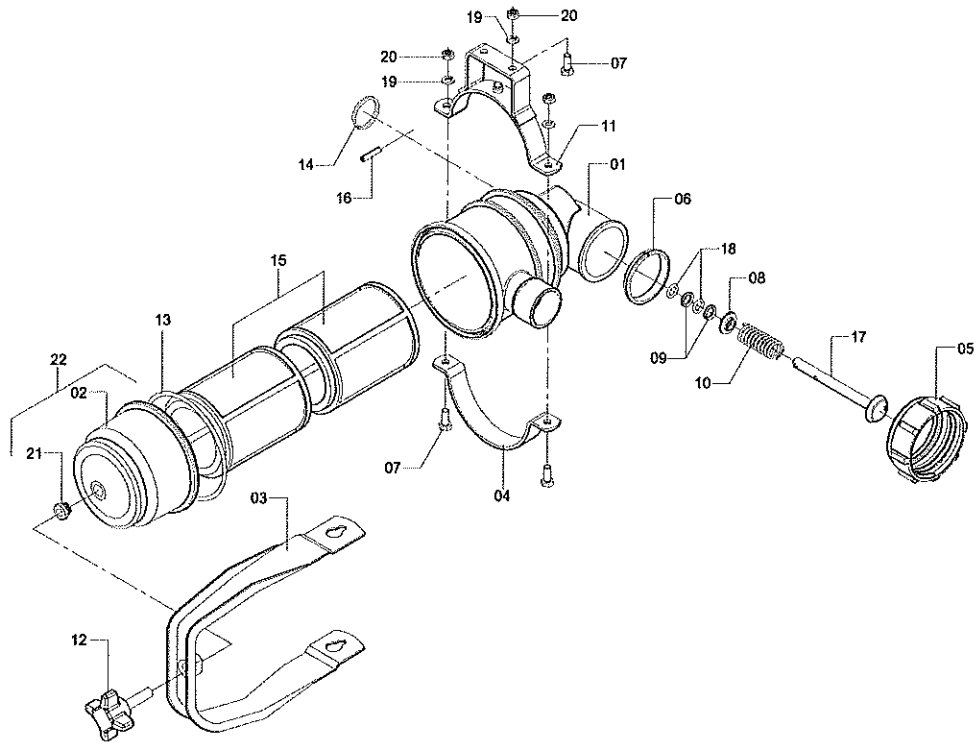


100-LITER SUCTION FILTER WITH VALVE



F-66

| Item | CODE | DESCRIPTION | Qty. | Item | CODE | DESCRIPTION | Qty. |
|------|--------|-------------------------------------|------|------|------|-------------|------|
| 00 | 613596 | 100-liter suction Filter with Valve | 1 | | | | |
| 01 | 005785 | Filter body | 1 | | | | |
| 02 | 006007 | Cap FVS 100 | 1 | | | | |
| 03 | 005827 | Filter handle | 1 | | | | |
| 04 | 005850 | Half-strap | 1 | | | | |
| 05 | 005900 | Coupling nut filter | 1 | | | | |
| 06 | 005918 | Locking ring | 1 | | | | |
| 07 | 810697 | Bolt M6 x 1 x 20 CL8.8 | 4 | | | | |
| 08 | 005967 | Spring seat | 1 | | | | |
| 09 | 005975 | Spacer washer | 2 | | | | |
| 10 | 006148 | Compression spring | 1 | | | | |
| 11 | 010967 | Half-strap with support | 1 | | | | |
| 12 | 011734 | Bolt with knob | 1 | | | | |
| 13 | 012138 | O-ring ORI - 241 | 1 | | | | |
| 14 | 012146 | Ring w 40 | 1 | | | | |
| 15 | 613604 | Double filtering element | 1 | | | | |
| 16 | 105288 | Flexible pln 4 x 20 (heavy) | 1 | | | | |
| 17 | 110817 | Valve | 1 | | | | |
| 18 | 416689 | O-ring OR1-110 | 2 | | | | |
| 19 | 521666 | Lock washer w5 - stainless steel | 4 | | | | |
| 20 | 730309 | Hex. nut M6 x 1.00 - Steel | 4 | | | | |
| 21 | 006015 | Valve seal | 1 | | | | |
| 22 | 005793 | Filter cover | 1 | | | | |

Controlled copy – Distribution and reproduction prohibited