

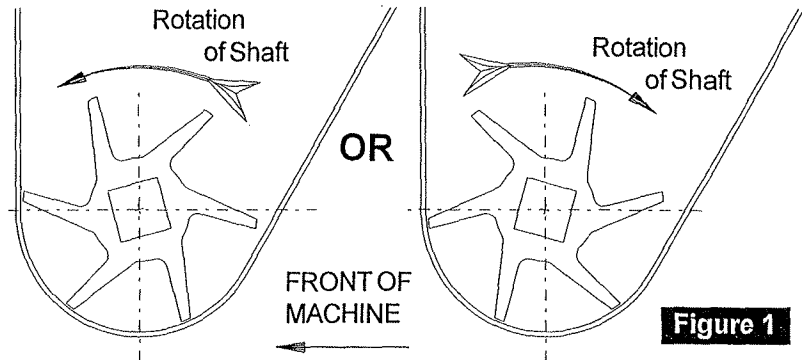
[6K957] Blade Agitator Kit - 10' SEEDERS (Optional)

INSTALLATION INSTRUCTIONS

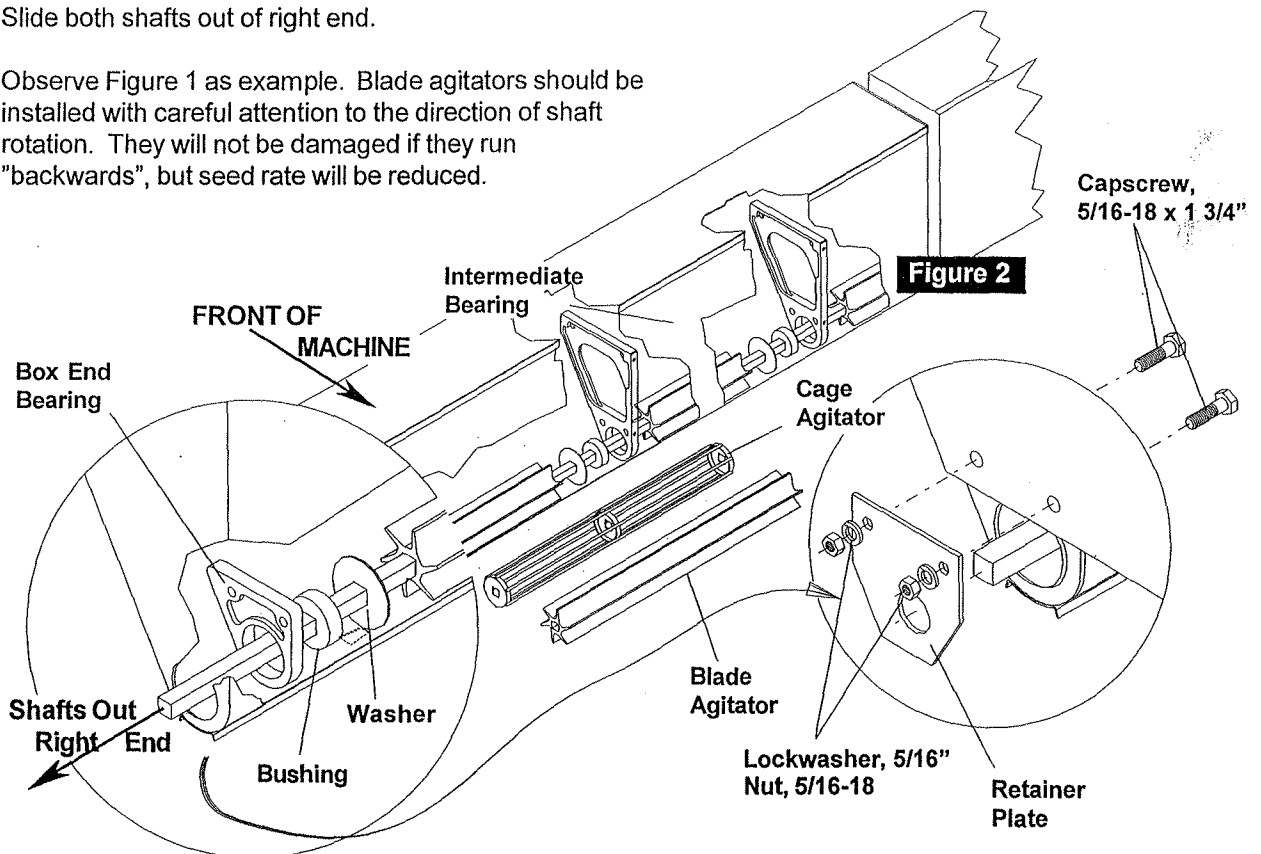
IMPORTANT!

Before proceeding with blade agitator installation, be sure to determine the direction of shaft rotation on your particular seeder model. Direction of rotation is not the same on all models due to transmission differences.

Orientation of blade agitator with respect to shaft rotation.



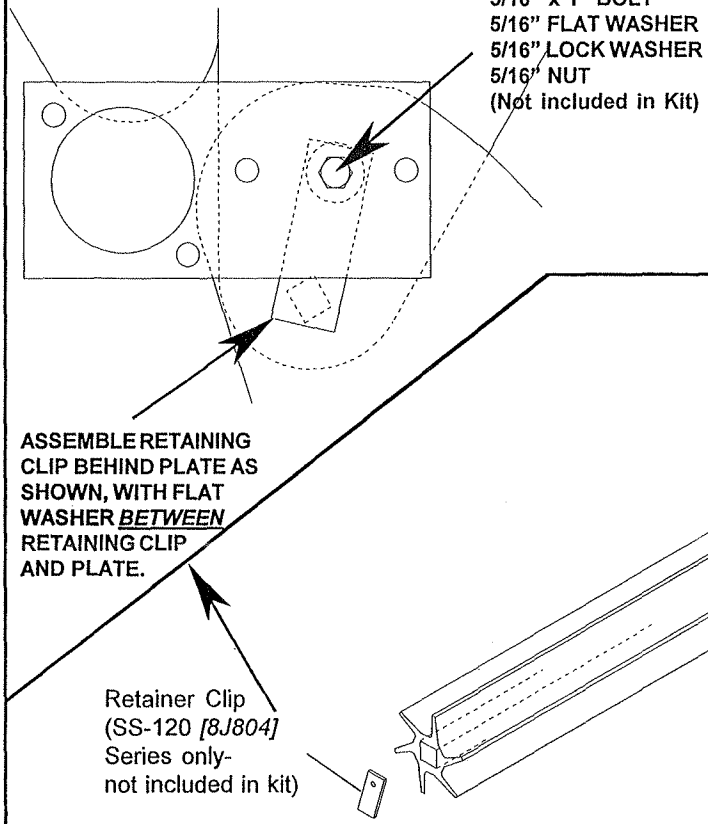
1. Remove two capscrews (inside the box) which hold retainer plate and bearing on right end of right seed box. See Figure 2.
2. Slide both shafts out of right end.
3. Observe Figure 1 as example. Blade agitators should be installed with careful attention to the direction of shaft rotation. They will not be damaged if they run "backwards", but seed rate will be reduced.



4. Replace agitator cage with blade agitator. With the blade agitators properly seated in the boxes, replace the drive shafts and retainer plate. Replace washers as needed for fit.
5. Check to be sure agitators rotate freely. Some seeders may have bolts extending into the seed box causing interference. These bolts will need to be shortened.

See Reverse Side for special instructions concerning ss-120 series seeders.

SS-120 Series Seeders Only



5. Blade agitators for use with SS-120 Series seeders will also require a small shaft retaining clip. This is installed over the right end of the right side seedbox shaft (facing direction of travel) as shown in the drawing at left. If you do not already have this retaining clip, it will be necessary to order it [8J804].

ASSEMBLE RETAINING CLIP BEHIND PLATE AS SHOWN, WITH FLAT WASHER BETWEEN RETAINING CLIP AND PLATE.

Retainer Clip (SS-120 [8J804] Series only - not included in kit)

Blade Agitator

6K957 BLADE AGITATOR KIT FOR 10' SEEDERS

Part No.	Description	No. Req'd.
6K604	Blade Agitator, 28 1/2" long	4
6K962	Instruction Sheet	1

SEEDTYPE	SEEDER MODEL & SETTINGS						SEED RATES FOR BLADE AGITATORS					
	SS8 / SS10 / SS12 (lbs/acre)						SST96 / SST120 (lbs/acre)					
	1	2	3	4	5	6	1	2	3	4	5	6
ALFALFA (UNCOATED)	42	147	244	-	-	-	24	116	171	-	-	-
ALFALFA (COATED)	42	160	303	-	-	-	24	112	214	-	-	-
BAHIA												
BARLEY												
BERMUDA												
BIRDSEED TREFOIL												
BLUE GRASS (KENTUCKY)	16	60	113	171	260	317	11	42	79	120	182	222
BLUE STEM (LITTLE)	0.1	0.2	0.4	0.7	1.0	1.9	0.1	0.2	0.3	0.5	0.7	1.3
BLUE STEM (BIG)	0.3	1.0	1.8	3.0	4.2	6.4	0.2	0.7	1.9	2.0	3.0	4.4
BROME	0.5	1.6	4.0	7.4	11	18	0.4	1.1	2.6	5.2	7.7	12.6
BUCKWHEAT	-	50	138	236	355	459	-	35	97	165	248	321
BUFFALO BLUE GRAMA	1.8	13	32	56	82	124	1.3	9	22	38	56	86
CANOLA												
CENTPEDE												
CLOVER (ALSIKE, LADINO, SWEET, RED)												
CLOVER (ALYCE, CALF, BUR., CRIMSON, HUBAM)												
CRESTED WHEAT												
FESCUE (CREEPING RED)	1.2	5.5	14	30	46	82	0.8	3.9	10	21	32	58
INDIAN	-	1	3	4	8	12	-	1	2	3	6	8
LESPEDEZA												
MILLET (JAPANESE)	5.6	71	177	302	385	490	3.9	50	124	211	289	342
MILLET	20	106	248	386	538	683	14	74	173	269	376	477
NORTHROP KING MIXTURE												
OATS	4	24	58	93	126	184	2.8	17	40	65	88	128
ORCHARD GRASS	1.2	4.6	13	29	55	84	0.8	3.3	9.3	20	38	66
RYE GRAIN												
RYE GRASS (DEPLOYED)	4.8	26	59	110	165	436	3.4	18	41	77	115	152
SCOTT'S FAMILY GRASS												
SUDAN												
SWITCH GRASS (CLEANED & HULLED)												
TIMOTHY												
VETCH												
WINTER WHEAT	12	80	184	308	417	569	8.5	58	128	214	282	398

- Rate columns represent the average of those models listed.
- Rates are intended as a guide only. Variation in size and cleanliness will affect rates. Check acreage and pounds of seed used for best results.
- For unlisted seeds, see calibration instructions for your particular seeder.
- While blade agitators can meter a great variety of seeds, planting depth may not be adequate for some of them.
- Use meters on the following grasses as they are not suitable for charting:
BENT, LOVE