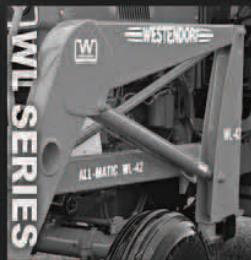


2020



# WESTENDORF

SALES MANUAL AND PRICE GUIDE



# LOADERS



## COMPACT 100 SERIES RANGE FROM 24 - 90 HORSE POWER

### COMPACT 100 SERIES

Designed for 2WD and 4WD tractors up to 90 HP with the full features of the Westendorf line. These include the patented quick-change buckets with the famous patented Power-Mount™ and dismount features. They require no dangerous stands, have excellent lift height and large capacities. Manifold and valve package is included. A line of Westendorf attachments is available. Mounting brackets are clean and simple in design so when the loader is off, your tractor is free. The TA-170 and TA-180 loader packages come standard with our new Remote Cable Joystick and patented tapered buckets for easier cleanout.



### COMPACT 100 SERIES

TA-52	6'1" Lift Height	24					
TA-55	7'2" Lift Height	24					
TA-111	8'3" Lift Height	35					
TA-140	7'7" Lift Height	30	35				
TA-160	9'5" Lift Height			50	60		
TA-170 / 175	10'2" Lift Height				65	70	
TA-180 / 185	11' Lift Height					80	90

### HP Ratings

4WD HP LISTED FIRST  
2WD HP LISTED SECOND

TA-52 TA-55 = 39" wide  
100 Series = 36" wide

# LOADERS

## COMPACT SERIES LOADERS

Prices Effective as of 1-21



### TA-52

**BASE PACKAGE** ..... **\$3,851**

Footnotes found in Bracket Chart

**TA-52 Base Package:**

- 1-3/4" Bucket Cylinder
- 1-1/2" Lift Cylinder
- Hydraulic Power-Mount™
- Standard Bracket Set
- Hose Kit
- Bucket Gauge Rod
- 48" Bucket (48P604)

<b>LIFT CAPACITY</b>	1800 psi   2200 psi
19.65" from Pin	900+   1100+
At Pivot Pin	1200+   1350+
<b>LIFT HEIGHT</b>	6' 1"   73"
<b>PKG WEIGHT</b>	486#
<b>COLOR*</b>	Stone Black

\*Custom Paint Colors Available. Call for Pricing.

### Small package with plenty of muscle

The TA-52 is the ideal fit for smaller tractors and lawn mowers. It is an economical loader that has two strong bucket cylinders for more power than comparable loaders with a single bucket cylinder. The loader has excellent visibility with extra-wide sub-frame to accommodate side-mount mufflers.

LOADER SPECIFIC UPGRADES & ATTACHMENTS		
Description	P/N	PRICE
48" Bucket	48P604	INC
54" Bucket	54P605	Add 41
48" Quick-Tach Bucket Teeth	BTA-48	220
Heavy Duty Bucket Teeth (Set of 2)	BTB-345	174
60" Dozer Blade	DB-60	450
60" Snow Scraper Box Blade	SBB-5	750
Ballast 3 Pt. Barrel Holder	BH-4	384
Forklift with 42" Teeth	FLA-42	550
Brush Crusher™	BC-3000	900
Hydra-Snap Manifold	MA-100	262
Hydraulic Valve Block	VB	237
Comfort Ride	CRS	888
Valve with Direct Joystick	KVJ-15	750



### TA-55

**BASE PACKAGE** ..... **\$3,851**

Footnotes found in Bracket Chart

**TA-55 Base Package:**

- 1-3/4" Bucket Cylinder
- 1-1/2" Lift Cylinder
- Hydraulic Power-Mount™
- Standard Bracket Set
- Hose Kit
- Bucket Gauge Rod
- 48" Bucket (48P604)

<b>LIFT CAPACITY</b>	1800 psi   2200 psi
19.65" from Pin	700   855
At Pivot Pin	940   1150
<b>LIFT HEIGHT</b>	7' 2"   86"
<b>PKG WEIGHT</b>	585#
<b>COLOR</b>	Stone Black

\*Custom Paint Colors Available. Call for Pricing.

### Right size with higher lift

The TA-55 has good clearance for easy maintenance. Quickly move snow or dirt, pick up trash, load pickups, haul feed or small bales, spread gravel and sand, clean horse stables and more.

**TA-54** fits particular models. Order when listed in Bracket Chart. Same price as TA-55.

LOADER SPECIFIC UPGRADES & ATTACHMENTS		
Description	P/N	PRICE
48" Bucket	48P604	INC
54" Bucket	54P605	Add 41
48" Quick-Tach Bucket Teeth	BTA-48	220
Heavy Duty Bucket Teeth (Set of 2)	BTB-345	174
60" Dozer Blade	DB-60	450
60" Snow Scraper Box Blade	SBB-5	750
Ballast 3 Pt. Barrel Holder	BH-4	384
Forklift with 42" Teeth	FLA-42	550
Brush Crusher™	BC-3000	900
Hydra-Snap Manifold	MA-100	262
Hydraulic Valve Block	VB	237
Comfort Ride	CRS	888
Valve with Direct Joystick	KVJ-15	750



### TA-111

**BASE PACKAGE** ..... **\$4,345**

Footnotes found in Bracket Chart

**TA-111 Base Package:**

- 2" Bucket & Lift Cylinders
- Hydraulic Power-Mount™
- Standard Bracket Set
- Hose Kit
- Bucket Gauge Rod
- 60" Bucket (60Q109-SB)

<b>LIFT CAPACITY</b>	1800 psi   2200 psi
19.65" from Pin	1400   1710
At Pivot Pin	1880   2300
<b>LIFT HEIGHT</b>	8' 3"   99"
<b>PKG WEIGHT</b>	840#
<b>COLOR</b>	Stone Black

\*Custom Paint Colors Available. Call for Pricing.

### The ultimate compact loader

The TA-111 comes standard with a quick attach system and has more attachments available than any other loader in its class. It works with belly mounted mowers and has an adjustable front wrap for a custom fit. It is a great chore loader and is excellent for material handling and snow removal.

**TA-111A** has special tower. Order when listed in bracket chart. Same price as TA-111.

LOADER SPECIFIC UPGRADES & ATTACHMENTS		
Description	P/N	PRICE
60" Tapered Bucket	60Q109-SB	INC
<b>SKID STEER COMPATIBLE BUCKETS &amp; ADAPTERS</b>		
Adapter - adapts TA-111 to skid steer attachment	C-22	Add 132
60" Skid Steer Bucket	60QS13	Add 133
66" Skid Steer Bucket	66QS14	Add 187
60" Quick-Tach Bucket Teeth	BT-60	250
Heavy Duty Bucket Teeth (Set of 2)	BTB-345	174
60" Dozer Blade	DB-60	450
60" Snow Scraper Box Blade	SBB-5	750
72" Snow Scraper Box Blade	SBB-6	900
72" V-Plow	VP-72	1,200
Ballast 3 Pt. Barrel Holder	BH-4	384
Forklift with 42" Teeth	FLM-42	600
Brush Crusher™	BC-4000	1,100
Brush Crusher™ for use w/ skid steer coupler	BC-7700	2,000
Hydra-Snap Manifold	MA-100	262
Hydraulic Valve Block	VB	237
Comfort Ride	CRS	888
Valve with Direct Joystick	KVJ-15	750



# LOADERS

Prices Effective as of 1-21



## COMPACT SERIES LOADERS

15-35 HP 15-30  
2WD 4WD

# TA-140

## BASE PACKAGE ..... \$3,914

Footnotes found in Bracket Chart

---

**TA-140 Base Package:**

- 2" Bucket Cylinders
- 2" Lift Cylinders
- Hydraulic Power-Mount™
- Quick Attach
- Standard Bracket Set
- Hose Kit
- Bucket Gauge Rod
- 60" Bucket (60Q109-SB)

<b>LIFT CAPACITY</b>	1800 psi   2200 psi
19.65" from Pin	1400   1710
At Pivot Pin	1880   2300
<b>LIFT HEIGHT</b>	7' 7"   9' 1"
<b>PKG WEIGHT</b>	822#
<b>COLOR*</b>	Stone Black

\*Custom Paint Colors Available. Call for Pricing.

### The "Boomer" Buddy

Turn your compact tractor into a real workhorse. The TA-140 is designed for the Boomer and DX series farmall tractors. Ideal for horse owners, acreage owners, or anyone who needs the power to move things fast. It's unique design matches a super steer's turning radius keeping the bucket close to the tractor for increased power and strength. It works with most belly mounted mowers and has a complete line of attachments.

#### LOADER SPECIFIC UPGRADES & ATTACHMENTS

Description	PIN	PRICE
60" Tapered Bucket	60Q109-SB	INC
<b>SKID STEER COMPATIBLE BUCKETS &amp; ADAPTERS</b>		
Adapter - adapts TA-140 to skid steer attachment	C-22	Add 132
60" Skid Steer Bucket	60QS13	Add 133
66" Skid Steer Bucket	66QS14	Add 187
60" Quick-Tach Bucket Teeth	BT-60	250
Heavy Duty Bucket Teeth (Set of 2)	BTB-345	174
60" Dozer Blade	DB-60	450
60" Snow Scraper Box Blade	SBB-5	750
72" Snow Scraper Box Blade	SBB-6	900
72" V-Plow	VP-72	1,200
Ballast 3 Pt. Barrel Holder	BH-4	384
Forklift with 42" Teeth	FLM-42	600
Brush Crusher™	BC-4000	1,100
Brush Crusher™ for use w/ skid steer coupler	BC-7700	2,000
Hydra-Snap Manifold	MA-100	262
Hydraulic Valve Block	VB	237
Joystick Upgrade	KVJ-15	750
Comfort Ride	CRS	888
Valve with Direct Joystick	KVJ-15	750

20-60 HP 20-50  
2WD 4WD

# TA-160

## BASE PACKAGE ..... \$4,650

Footnotes found in Bracket Chart

---

**TA-160 Base Package:**

- 2" Bucket Cylinders
- 2" Lift Cylinders
- Hydraulic Power-Mount™
- Quick Attach
- Standard Bracket Set
- Hose Kit
- Bucket Gauge Rod
- 60" Bucket (60Q109-SB)

<b>LIFT CAPACITY</b>	1800 psi   2200 psi
19.65" from Pin	1650   2020
At Pivot Pin	2210   2700
<b>LIFT HEIGHT</b>	9' 5"   11' 3"
<b>PKG WEIGHT</b>	1071#
<b>COLOR*</b>	Stone Black

\*Custom Paint Colors Available. Call for Pricing.

### Incredible Lifting Power

The TA-160 is a smooth-shaped loader designed for the serious weekender that needs to handle large round bales. It has incredible lifting power in a small, good-looking package. Features an open tapered bucket for quick clean out, clean bracket design for better tire clearance and low-profile fit to let you see clearly what you are doing and where you are driving.

#### LOADER SPECIFIC UPGRADES & ATTACHMENTS

Description	PIN	PRICE
60" Tapered Bucket	60Q109-SB	INC
66" Tapered Bucket	66Q110-SB	Add 40
<b>SKID STEER COMPATIBLE BUCKETS &amp; ADAPTERS</b>		
Adapter - adapts TA-160 to skid steer attachment	C-23	Add 132
60" Skid Steer Bucket	60QS13	Add 133
66" Skid Steer Bucket	66QS14	Add 187
3-Prong Bale Spear	SP-160	350
60" Quick-Tach Bucket Teeth	BT-60	250
Heavy Duty Bucket Teeth (Set of 2)	BTB-345	174
60" Dozer Blade	DB-60	450
60" Snow Scraper Box Blade	SBB-5	750
72" Snow Scraper Box Blade	SBB-6	900
72" V-Plow	VP-72	1,200
Ballast 3 Pt. Barrel Holder	BH-4	384
Forklift with 42" Teeth	FLM-42	600
Brush Crusher™	BC-4000	1,100
Brush Crusher™ for use w/ skid steer coupler	BC-7700	2,000
Hydra-Snap Manifold	MA-100	262
Hydraulic Valve Block	VB	237
Comfort Ride	CRS	888
Valve with Direct Joystick	KVJ-15	w/pkg. Add 750



# LOADERS

Prices Effective as of 1-21



## COMPACT SERIES LOADERS

20-70 20-65  
2WD 4WD

# TA-170

## BASE PACKAGE ..... \$4,950

Footnotes found in Bracket Chart

**TA-170 Base Package:**

- 2" Lift Cylinders
- 2" Bucket Cylinders
- Hydraulic Power-Mount™
- Quick-Attach
- Standard Bracket Set
- Hose Kit
- Bucket Gauge Rod
- 60" Bucket (60Q109-SB)

<b>LIFT CAPACITY</b>	1800 psi   2200 psi
19.65" from Pin	1450   1770
At Pivot Pin	1950   2380
<b>LIFT HEIGHT</b>	10' 2"   122"
<b>PKG WEIGHT</b>	1100#
<b>COLOR*</b>	Stone Black

\*Custom Paint Colors Available. Call for Pricing.

### More loader with lots of Extras

This high-strength loader has a great profile and is ideal for the everyday heavy user or contractor. Extra features such as the low-profile fit, power linkage, tapered bucket, cushioned spring ride, reinforced arms, clean bracket design and tire clearance give it a professional feel and performance.

**TA-170A** has special tower. Order when listed in Fit Chart. same price as TA-170.

60" Tapered Bucket	60Q109-SB	<b>INC</b>
66" Tapered Bucket	66Q110-SB	Add <b>40</b>
72" Tapered Bucket	72Q112-SB	Add <b>64</b>
<b>SKID STEER COMPATIBLE BUCKETS &amp; ADAPTERS</b>		
Adapter - adapts TA-170 to skid steer attachment	C-22	Add <b>132</b>
60" Skid Steer Bucket	60QS13	Add <b>133</b>
66" Skid Steer Bucket	66QS14	Add <b>187</b>
72" Skid Steer Bucket	72QS15	Add <b>250</b>
3-Prong Bale Spear	SP-160	<b>350</b>
60" Quick-Tach Bucket Teeth	BT-60	<b>250</b>
Heavy Duty Bucket Teeth (Set of 2)	BTB-345	<b>174</b>
60" Dozer Blade	DB-60	<b>450</b>
60" Snow Scraper Box Blade	SBB-5	<b>750</b>
72" Snow Scraper Box Blade	SBB-6	<b>900</b>
72" V-Plow	VP-72	<b>1,200</b>
Ballast 3 Pt. Barrel Holder	BH-4	<b>384</b>
Forklift with 42" Teeth	FLM-42	<b>600</b>
Brush Crusher™	BC-4000	<b>1,100</b>
Brush Crusher™ for use w/ skid steer coupler	BC-7700	<b>2,000</b>
Hydra-Snap Manifold	MA-280	<b>352</b>
Hydraulic Valve Block	VB	<b>237</b>
Comfort Ride	CRS	<b>888</b>
Valve with Remote Joystick		<b>1,401</b>

20-70 20-65  
2WD 4WD

# TA-175

## BASE PACKAGE ..... \$5,484

Footnotes found in Bracket Chart

**TA-175 Base package:**

- 2" Bucket Cylinders
- 2-1/2" Lift Cylinders
- Hydraulic Power-Mount™
- Skid-Steer Quick-Attach
- Standard Bracket Set
- Hose Kit
- Bucket Gauge Rod
- 72" Skid Steer Bucket (72QS15)

<b>LIFT CAPACITY</b>	1800 psi   2200 psi
19.65" from Pin	2250   2750
At Pivot Pin	3020   3690
<b>LIFT HEIGHT</b>	10' 2"   122"
<b>PKG WEIGHT</b>	1390#
<b>COLOR*</b>	Stone Black

\*Custom Paint Colors Available. Call for Pricing.

### Loaded with power and features

Ideal for the everyday heavy user, dirt work or hay handler. The TA-175 offers all the same features as the TA-170 plus more lift capacity. Share implements between your skid-steer and loader as the TA-175 includes the universal skid-steer adapter. It's a smooth operating loader with low-profile fit for good visibility. Excellent dump and rollback angles, smart bucket for quick clean out, cushioned ride, reinforced arms, clean bracket design, and precision valve and joystick included with the loader package.

**TA-175A** has special tower. Order when listed in Fit Chart. same price as TA-175.

### LOADER SPECIFIC UPGRADES & ATTACHMENTS

Description	P/N	PRICE
72" Skid Steer Bucket	72QS15	<b>INC</b>
60" Skid Steer Bucket	60QS13	Deduct <b>(117)</b>
66" Skid Steer Bucket	66QS14	Deduct <b>(63)</b>
3-Prong Bale Spear	SP-43/C-19	<b>600</b>
60" Quick-Tach Bucket Teeth	BT-60	<b>250</b>
Heavy Duty Bucket Teeth (Set of 2)	BTB-345	<b>174</b>
60" Dozer Blade	DB-60/C-19	<b>450</b>
60" Snow Scraper Box Blade	SBB-5/C-19	<b>750</b>
72" Snow Scraper Box Blade	SBB-6/C-19	<b>900</b>
72" V-Plow	VP-72/C-19	<b>1,200</b>
Ballast 3 Pt. Barrel Holder	BH-4	<b>384</b>
Forklift with 42" Teeth	FLM-42/C-19	<b>600</b>
Brush Crusher™	BC-4000	<b>1,100</b>
Brush Crusher™ for use w/ skid steer coupler	BC-7700	<b>2,000</b>
Hydra-Snap Manifold	MA-280	<b>352</b>
Hydraulic Valve Block	VB	<b>237</b>
Comfort Ride	CRS	<b>888</b>
Valve with Remote Joystick		<b>1,401</b>



# LOADERS

Prices Effective as of 1-21



## COMPACT SERIES LOADERS

20-90 20-80  
2WD

# TA-180

## BASE PACKAGE.....

# \$5,758

Footnotes found in Bracket Chart

**TA-180 Base package:**

- 2-1/2" Bucket Cylinders
- 2-1/2" Lift Cylinders
- Hydraulic Power-Mount™
- Quick-Attach
- Standard Bracket Set
- Hose Kit
- Bucket Gauge Rod
- 60" Bucket (60Q109-SB)

LIFT CAPACITY	1800 psi   2200 psi
19.65" from Pin	2880   3520
At Pivot Pin	3865   4725
LIFT HEIGHT	11'   132"
PKG WEIGHT	1283#
COLOR*	Stone Black

\*Custom Paint Colors Available. Call for Pricing.

### Reaching amazing new heights

The TA-180 has an incredible lift height of 11 feet with a low-profile fit. Think about it! You can stack whatever you have, wherever you want it. Plus, when you combine it with the famous Quick-Attach System, you can change from your bucket to a spear, forklift, or other attachment in just minutes to take on any task at hand.

**LOADER SPECIFIC UPGRADES & ATTACHMENTS**

Description	P/N	PRICE
60" Tapered Bucket	60Q109-SB	INC
66" Tapered Bucket	66Q110-SB	Add 40
72" Tapered Bucket	72Q112-SB	Add 64
<b>SKID STEER COMPATIBLE BUCKETS &amp; ADAPTERS</b>		
Adapter - adapts TA-180 to skid steer attachment	C-22	Add 132
60" Skid Steer Bucket	60QS13	Add 133
66" Skid Steer Bucket	66QS14	Add 187
72" Skid Steer Bucket	72QS15	Add 250
3-Prong Bale Spear	SP-160	350
60" Quick-Tach Bucket Teeth	BT-60	250
Heavy Duty Bucket Teeth (Set of 2)	BTB-345	174
60" Dozer Blade	DB-60	450
60" Snow Scraper Box Blade	SBB-5	750
72" Snow Scraper Box Blade	SBB-6	900
72" V-Plow	VP-72	1,200
Ballast 3 Pt. Barrel Holder	BH-4	384
Forklift with 42" Teeth	FLM-42	600
Brush Crusher™	BC-4000	1,100
Brush Crusher™ for use w/ skid steer coupler	BC-7700	2,000
Hydra-Snap Manifold	MA-280	352
Hydraulic Valve Block	VB	237
Comfort Ride	CRS	888
Valve with Remote Joystick		1,401

20-90 20-80  
2WD

# TA-185

## BASE PACKAGE.....

# \$6,355

Footnotes found in Bracket Chart

**TA-185 Base package:**

- 2-1/2" Bucket Cylinders
- 2-1/2" Lift Cylinders
- Hydraulic Power-Mount™
- Skid-Steer Quick-Attach
- Standard Bracket Set
- Hose Kit
- Bucket Gauge Rod
- 72" Skid Steer Bucket (72QS15)

LIFT CAPACITY	1800 psi   2200 psi
19.65" from Pin	2880   3520
At Pivot Pin	3865   4725
LIFT HEIGHT	11'   132"
PKG WEIGHT	1283#
COLOR*	Stone Black

\*Custom Paint Colors Available. Call for Pricing.

### New shape and custom features

For the heavy-duty user and contractor. This loader has a professional feel, lower profile fit with high lift, bucket linkage, tapered bucket, reinforced arms, and in-line regen valve with precision joystick for smoother, faster bucket action. The TA-185 includes a new contoured shape, wider frame to accommodate side mount mufflers, skid steer adapter and 72" skid steer bucket.

**LOADER SPECIFIC UPGRADES & ATTACHMENTS**

Description	P/N	PRICE
72" Skid Steer Bucket	72QS15	INC
60" Skid Steer Bucket	60QS13	Deduct (117)
66" Skid Steer Bucket	66QS14	Deduct (63)
3-Prong Bale Spear	SP-43/C-19	600
60" Quick-Tach Bucket Teeth	BT-60	250
Heavy Duty Bucket Teeth (Set of 2)	BTB-345	174
60" Dozer Blade	DB-60/C-19	450
60" Snow Scraper Box Blade	SBB-5/C-19	750
72" Snow Scraper Box Blade	SBB-6/C-19	900
72" V-Plow	VP-72/C-19	1,200
Ballast 3 Pt. Barrel Holder	BH-4	384
Forklift with 42" Teeth	FLM-42/C-19	600
Brush Crusher™	BC-4000	1,100
Brush Crusher™ for use w/ skid steer coupler	BC-7700	2,000
Hydra-Snap Manifold	MA-280	352
Hydraulic Valve Block	VB	237
Comfort Ride	CRS	888



# LOADERS

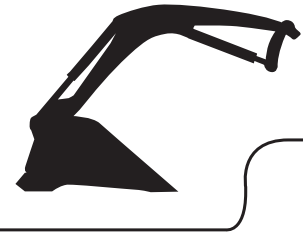


## NEW MAX SERIES RANGES 60 - 120 HORSE POWER

### MAX SERIES

NEW

These extra strong MAX loaders have an intelligent design that offers unsurpassed quality, performance and strength. Unmatched styling, fast and easy implement changes with the push of a button; and, no-spill Flat Face Hydra-Snap™ for quick hydraulic hook ups. The tailored shape eliminates tunnel vision that normally comes with other loaders. The Smart-Lock system is a self-aligning, self-standing, and self-locking mounting system. Its simple, solid-mount design with Max Grip will boost your confidence when mounting or dismounting a loader.



## MAX SERIES

20  
SERIES

**MAX420** 11' 6" Lift Height 120

40  
SERIES

**MAX420** 11' 6" Lift Height 120

## HP Ratings

4WD HP LISTED

20 Series = 39" wide  
40 Series = 45.5" wide

# LOADERS



## NEW - MAX LOADER SERIES

### 16 BIG ADVANTAGES...



#### *Looks are everything!*

It's true - When you look good, you feel good. You will feel the difference every time you have the MAX loader on your tractor. The styling of the new MAX loader not only has an undeniable WOW factor, but the intelligent design which offers unsurpassed quality, performance and strength.

See the difference with a low-profile loader that fits properly with the bucket close and arms to compliment the tractor's hood contour. All the hydraulic hoses are inside the arms, not only suppressing wear, but allowing for unencumbered visibility that no other loader comes close to offering.



- **LOADER ENVY**
- **HYDRA-SNAP**
- **SMART-LOCK**
- **VISIBILITY**
- **REMOTE COUPLER**
- **FREEDOM-MOUNT™**
- **MAX TIRE CLEARANCE**
- **PERFORMANCE PLUS**
- **SMART-PAC CYLINDERS**
- **CONCEALED HYDRAULICS**
- **MORE FUNCTIONS**
- **BUCKET REPUTATION**
- **ARM STRENGTH**
- **FULL FEATURED**
- **SOLID BRACKETS**
- **ATTACHMENTS**



# LOADERS



## THE OTHER GUYS JUST DON'T HAVE!

### Loader Envy



Finally a loader that is designed to compliment your tractor. Sleek and sturdy in design, MAX looks like a loader should look on a tractor. MAX fits better, feels better and looks better on your tractor.

### MAX Tire Clearance



Experience the tire freedom your tractor was born with. Keep fenders on most models with optimum row settings to maximize your turning and oscillation ability. Adaptable to tractors with suspended front axle.

### Visibility Factors



SEE and FEEL the difference of a loader that fits properly with the bucket close. Excellent unrestricted visibility in ALL directions while maintaining balance, sharp turning radius, and more power.

### Freedom Mounting



Enjoy the Freedom of mounting this new series of loader from the comfort of your cab. Just drive over and set your loader on the bucket. No tools. No Stands. No Hassles.



**NEW**

### Flat Face Hydra-Snap



You've asked; We've listened! Enjoy a cleaner, faster way to connect hydraulic hoses. One-Lever unit couples all hoses at once. Flat Face, no drip, couplers keep your tractor clean.

### Remote Control Couplers



Now change attachments with the push of a button. With every use, you'll smile and give yourself a pat on the back for making a smart, value based purchase. Then smile a second time because you're in the cab and not out in the sweltering heat or in below zero temperatures trying to hammer out pins or pry up levers. Self-Aligning V-Shape adjusts for wear and stays tight over time. Patented stealth valve DOES NOT require the addition of another hydraulic lever, the 3rd function is fully integrated into the loader's hydraulic system.

### Solid Bracket w/Max Grip



Simple and strong one-piece bracket is tailor made for each tractor. Clean design allows easy freedom to access your tractor; plus, it reduces installation time. Works with OEM loader ready and TPS side rails.

### Smart-Pac Cylinders



Eliminate unwanted downtime from hose snags, twists or deterioration with Westendorf's Professional Grade Lineless double ported Plug-N-Play cylinders. Features Patented Packing Protection system.

## THE #1 RATED QUICK ATTACH SYSTEM ON THE MARKET IS NOW REMOTE CONTROLLED

You Asked; We Listened. Here by popular demand, the new Remote Control Coupler is activated with an Electro-Hydraulic control button conveniently located in the cab. Change attachments entirely from your seat. Regulated by small internal cylinders, the plungers are secured with hydraulic pressure. This economical user-friendly solution DOES NOT require 3rd function additions to your tractor. Easy On Your Pocketbook. This new Remote Coupler will retrofit to all your existing Westendorf attachments, eliminating any costly upgrades.



**NEW**

# LOADERS



Prices Effective as of 1-21

## MAX loaders have an undeniable WOW factor

The MAX420 has an intelligent design that offers unsurpassed quality, performance and strength. Unmatched styling; fast and easy attachment changes with the push of a button; Freedom Mounting that doesn't require parking stands, tools or time; and, no-spill Flat Face Hydra-Snap™ for quick hydraulic hook ups. These are just a few of the 16 Big Advantages the other guys just don't have.



## MAX420 BASE PACKAGE ..... \$9,023

### MAX420 Base Package:

- 3" Smart-Pac Bucket Cylinders
- 3-1/2" Smart-Pac Lift Cylinders
- Remote Control Coupler
- Standard Bracket Set with Smart-Lock Latching System
- Hose Kit
- Flat Face Hydra-Snap™ Manifold
- Rotational Bucket Level Indicator
- 84" Bucket (84Q220)

<b>LIFT CAPACITY</b>	2500 psi   3000 psi
31.5" from Pin	3000   3600
At Pivot Pin	4395   5275
<b>LIFT HEIGHT</b>	11' 6"
<b>PKG WEIGHT</b>	1609#
<b>COLOR</b>	Gunmetal Black

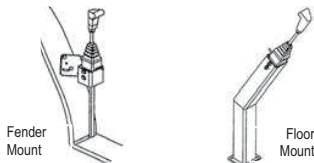
Specs may vary based on tractor model.

### JOYSTICKS & HYDRAULIC PACKAGES

#### OC/CC - OPEN / CLOSED CENTER HYD SYSTEMS

	4	5	6
Spool	Precision Valve and Remote Joystick*	Precision Valve w/Level-UP* Pre-Assembled-Ready to Use	All Electronic Valve with Electronic Joystick*
<b>A 2 OC/CC</b>	1,401	1,680	N/A
<b>B 3 OC/CC</b>	1,951	2,550	N/A
<b>PFC - PRESSURE FLOW HYDRAULIC SYSTEMS</b>			
<b>C 2 PFC</b>	2,000	2,487	6,659
<b>D 3 PFC</b>	2,600	2,944	6,995

\*Includes Mounting Kit - Floor or Fender Mount



### FACTORY INSTALLED UPGRADES

Description	P/N	PRICE
<b>Bucket Options</b>		
- Back Drag Bucket	BD	Add 303
- Heavy Duty Bucket Teeth (set of 2)	BTB-390	Add 208
- Grab Fork Hooks (Std Buckets)	GF	Add 80
<b>Radiator Grill Guard</b>	RG	INC
3rd Steel Line mtd, w/stealth valve	T	Add 543

### HYDRAULIC MANIFOLDS

Description	P/N	Price
<b>2-SPOOL MANIFOLDS</b> to quick-connect loader to tractor		
- Flat Face Hydra-Snap™ Manifold	MA-381	Add INC
Level UP Advantage (Reg. \$922.00)	LV-UP	Add 500
Comfort Ride	CRS-750	Add 888

### BUCKET UPGRADES

BUCKETS	P/N	PRICE
84" Lg. Cap. Tapered Bucket	84Q220	INC
90" Large Capacity Bucket	90Q225	Add 132

### SPECIALTY BUCKETS

Fork Bucket	FB-42	800
Tine Bucket	TB-38	1,250

### BUCKET / GRAB FORK PACKAGES

84"BUCKET AND CAT CLAW		
Cat Claw 3-D Grab Fork	GF-184-3D	2,750
84" Lg. Cap. Tapered Bucket	84Q220-GF-184	80
	Add	2,830

### 90" BUCKET AND MONSTER GRAB FORK

Monster Grab Fork	GF-28	1,750
90" Large Capacity Bucket for GF-28	90Q225-GF28	212
	Add	1,962

### ATTACHMENTS

HAY HANDLING	P/N	PRICE
2-Prong Bale Spear	SP-42	650
3-Prong Bale Spear	SP-43	600
4-Prong Bale Spear	SP-74	775
Stack Saver I	SS-1	750
Stack Saver II - 3	SS-II-3	800
Bale Handler	BH-15	4,250
Squeezer™	SQ-80	1,800

### MATERIAL HANDLING

P/N	PRICE	
Brush Crusher BC-5000	1,500	
Brush Crusher BC-6000	2,000	
Brush Crusher BC-8200	2,500	
84" Bucket Teeth 84" & 96" BUCKETS	BT-84	650
42" Fork Lift	FL-42	900
48" Fork Lift	FL-48	950
Extendable Boom	EB-34	1,000

### ADDITIONAL ATTACHMENTS

P/N	PRICE
96" V-Plow VP-96	1,450
84" Dozer Blade DB-84	1,000
- Top Extension for Dozer Blade DB-*TC	Add 750
96" Snow Scraper SBB-8	1,800
96" Snow Scraper w/Poly Blade SBB-8-P	2,280
- Top Extension for Snow Scraper SBB-*TC	Add 750
Dual Changer Max for bucket DC-1	500

### ADAPTER OPTIONS

P/N	PRICE
Snap-Att Adapters Weld on-Set (2) C-2	110
Snap-Attach Adapters-Bolt on-Set (2) C-3	120
Snap-Attach Synchronizer QCS-200	75



Prices and Specifications may be subject to change without notice. Prices do not include shipping or setup.

# LOADERS



Prices Effective as of 1-21

## LIMITED Series is anything but

60-120 60-120  
2WD 4WD

The NEW Limited Series is everything but limited. It offers the same quality, performance, and strength as the MAX in a compact package. The 420 Limited is equipped with self-aligning, self-standing and the self-locking Smart-Lock system. Other features include Smart-Pac cylinders, flat face coupling manifold, the famous Westendorf Snap-Attach system and more!



## 420 LIMITED BASE PACKAGE ..... \$8,023

### MAX420 Base Package:

- 3" Smart-Pac Bucket Cylinders
- 3-1/2" Smart-Pac Lift Cylinders
- Remote Control Coupler
- Standard Bracket Set with Smart-Lock Latching System
- Hose Kit
- Flat Face Hydra-Snap™ Manifold
- Rotational Bucket Level Indicator
- 72" Bucket (84Q220)

<b>LIFT CAPACITY</b>	2500 psi   3000 psi
31.5" from Pin	3000   3600
At Pivot Pin	4395   5275
<b>LIFT HEIGHT</b>	11' 6"
<b>PKG WEIGHT</b>	1609#
<b>COLOR</b>	Gunmetal Black

*Specs may vary based on tractor model.*

### HYDRAULIC MANIFOLDS

Description	P/N	PRICE
<b>1-SPOOL MANIFOLDS</b> to quick-connect T-line to attachment		
- Standard Manifold		<b>INC</b>
- Flat Face Hydra-Snap™	MA-384	<b>456</b>
<b>2-SPOOL MANIFOLDS</b> to quick-connect loader to tractor		
- Standard Manifold w/Flat Face Couplers	MA-481	<b>INC</b>
<b>*3-SPOOL MANIFOLDS</b> to quick-connect loader to tractor		
- Standard Manifold w/Flat Face Couplers	MA-483	<b>222</b>
Level UP Advantage (Reg. \$922.00)	LV-UP	Add <b>500</b>
Comfort Ride	CRS-750	Add <b>888</b>

### FACTORY INSTALLED UPGRADES

Description	P/N	PRICE
<b>Bucket Options</b>		
- Back Drag Bucket	BD	Add <b>303</b>
- Heavy Duty Bucket Teeth (set of 2)	BTB-390	Add <b>208</b>
- Grab Fork Hooks (Std Buckets)	GF	Add <b>80</b>
<b>Radiator Grill Guard</b>	RG	Add <b>298</b>
<b>3rd Steel Line mtd, w/couplers</b>		
- Steel Line	T	Add <b>180</b>
- Steel Line w/hoses to tractor	T2	Add <b>289</b>
- Steel Line w/hoses to manifold/tractor*	T3	Add <b>346</b>
- Steel Line w/hoses to manifold/valve*	T4	Add <b>319</b>

\* Requires a 3-spool manifold - see HYDRAULIC MANIFOLDS

### BUCKET / GRAB FORK PACKAGES

84"BUCKET AND CAT CLAW			
Cat Claw 3-D Grab Fork	GF-184-3D	56	2,750
84" Lg. Cap. Tapered Bucket	84Q220-GF-184	48	254
		Add	<b>3,004</b>

90" BUCKET AND MONSTER GRAB FORK			
Monster Grab Fork	GF-28	57	1,750
90" Large Capacity Bucket for GF-28	90Q225-GF28	48	386
		Add	<b>2,136</b>

### ATTACHMENTS

HAY HANDLING	P/N	PRICE
2-Prong Bale Spear	SP-42	59 <b>650</b>
3-Prong Bale Spear	SP-43	59 <b>600</b>
4-Prong Bale Spear	SP-74	59 <b>775</b>
Stack Saver I	SS-1	59 <b>750</b>
Stack Saver II - 3	SS-II-3	59 <b>800</b>
Bale Handler	BH-15	58 <b>4,250</b>
Squeezer™	SQ-80	58 <b>1,800</b>

MATERIAL HANDLING	P/N	PRICE
Brush Crusher	BC-5000	54 <b>1,500</b>
Brush Crusher	BC-6000	55 <b>2,000</b>
Brush Crusher	BC-8200	55 <b>2,500</b>
84" Bucket Teeth 84" & 96" BUCKETS	BT-84	50 <b>650</b>
42" Fork Lift	FL-42	60 <b>900</b>
48" Fork Lift	FL-48	60 <b>950</b>
Extendable Boom	EB-34	60 <b>1,000</b>

ADDITIONAL ATTACHMENTS	P/N	PRICE
96" V-Plow	VP-96	60 <b>1,450</b>
84" Dozer Blade	DB-84	61 <b>1,000</b>
- Top Extension for Dozer Blade	DB-*TC	61 Add <b>750</b>
96" Snow Scraper	SBB-8	61 <b>1,800</b>
96" Snow Scraper w/Poly Blade	SBB-8-P	61 <b>2,280</b>
- Top Extension for Snow Scraper	SBB-*TC	61 Add <b>750</b>
Dual Changer Max for bucket	DC-1	51 <b>500</b>

ADAPTER OPTIONS	P/N	PAGE	PRICE
Snap-Att Adapters Weld on-Set (2)	C-2	46	<b>110</b>
Snap-Att Adapters-Bolt on-Set (2)	C-3	46	<b>120</b>
Snap-Attach Synchronizer	QCS-200	46	<b>75</b>



Prices and Specifications may be subject to change without notice. Prices do not include shipping or setup.

# LOADERS



Prices Effective as of 1-21

## MAX loaders have an undeniable WOW factor 60-120 HP 60-120 2WD 4WD

The MAX440 has the same great features as the MAX420 such as the Remote Control Coupler, Hydra-Snap™ and Freedom Mount stand-free dismounting system. The MAX440 will accommodate wider attachments at the 40 series spacing.



## MAX440 BASE PACKAGE ..... \$10,037

### MAX440 Base Package:

- 3" Smart-Pac Bucket Cylinders
- 3-1/2" Smart-Pac Lift Cylinders
- Remote Control Coupler
- Standard Bracket Set with Smart-Lock Latching System
- Hose Kit
- Flat Face Hydra-Snap™ Manifold
- Rotational Bucket Level Indicator
- 84" Bucket (84Q420)

<b>LIFT CAPACITY</b>	2500 psi   3000 psi
31.5" from Pin	3000   3600
At Pivot Pin	4395   5275
<b>LIFT HEIGHT</b>	11' 6"
<b>PKG WEIGHT</b>	1609#
<b>COLOR</b>	Gunmetal Black

Specs may vary based on tractor model.

### FACTORY INSTALLED UPGRADES

Description	P/N	Price
Bucket Options		
- Back Drag Bucket	BD	Add 303
- Heavy Duty Bucket Teeth (set of 2)	BTB-390	Add 208
- Grab Fork Hooks (Std Buckets)	GF	Add 80
Radiator Grill Guard	RG	INC
3rd Steel Line mtd, w/stealth valve	T	Add 543

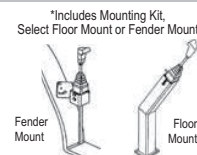
### HYDRAULIC MANIFOLDS

Description	P/N	Price
<b>2-SPOOL MANIFOLDS</b> to quick-connect loader to tractor		
- Flat Face Hydra-Snap™ Manifold	MA-381	Add INC
Level UP Advantage (Reg. \$922.00)	LV-UP	Add 500
Comfort Ride	CRS-750	Add 888

### JOYSTICKS & HYDRAULIC PACKAGES

#### OC/CC - OPEN CENTER / CLOSED CENTER HYDRAULIC SYSTEMS

Spool	1 Valve w/Handles and Mounting Kit	2 Valve w/Direct Joystick & Mtg.Kit	3 Valve with Remote Cable Joystick*	4 Precision Valve and Remote Joystick*	5 Precision Valve w/Level-UP* Pre-Assembled-Ready to Use	6 All Electronic Valve with Electronic Joystick*
<b>A</b> 2 OC/CC	728	838	1,311	1,401	1,680	N/A
<b>B</b> 3 OC/CC	876	980	1,745	1,951	2,550	N/A
<b>PFC - PRESSURE FLOW HYDRAULIC SYSTEMS</b>						
<b>C</b> 2 PFC	N/A	N/A	N/A	2,000	2,487	6,659
<b>D</b> 3 PFC	N/A	N/A	N/A	2,600	2,944	6,995



\*Includes Mounting Kit, Select Floor Mount or Fender Mount

### BUCKET UPGRADES

BUCKETS	P/N	PRICE
84" Large Capacity Bucket	84Q420	INC
90" Large Capacity Bucket	90Q425	Add 132

### SPECIALTY BUCKETS

High Vol. Low Density Bucket	96Q454	1,697
Z-47 Feeder Bucket	Z-47	3,800
Feed Bunk Bucket	FBB-112	1,578
Fork Bucket	FB-42	800
Tine Bucket	TB-38	1,250

### BUCKET / GRAB FORK PACKAGES

#### 84" BUCKET AND CAT CLAW

Cat Claw 3-D Grab Fork	GF-184-3D	2,750
84" Lg. Cap. Tapered Bucket for GF-184	84Q420-GF-184	80
	Add	2,830

#### 90" BUCKET AND MONSTER GRAB FORK (Curved Teeth)

Monster Grab Fork -Curved Teeth	GF-52	1,800
90" Large Capacity Bucket for GF-52	90Q425-GF52	212
	Add	2,012

#### 90" BUCKET AND MONSTER GRAB FORK (Straight Teeth)

Monster Grab Fork - Straight Teeth	GF-51	1,500
90" Large Capacity Bucket for GF-51	90Q425-GF51	212
	Add	1,712

### ATTACHMENTS

HAY HANDLING	P/N	PRICE
2-Prong Bale Spear	SP-42	650
3-Prong Bale Spear	SP-43	600
4-Prong Bale Spear	SP-74	775

Stack Saver I	SS-I	750
Stack Saver II - 3	SS-II-3	800

Bale Handler	BH-15	4,250
Squeezer™	SQ-80	1,800

### MATERIAL HANDLING

	P/N	PRICE
Brush Crusher	BC-5000	1,500
Brush Crusher	BC-6000	2,000
Brush Crusher	BC-8200	2,500
84" Bucket Teeth 84" & 96" BUCKETS	BT-84	650
42" Fork Lift	FL-42	900
48" Fork Lift	FL-48	950
Extendable Boom	EB-34	1,000

### ADDITIONAL ATTACHMENTS

	P/N	PRICE
96" V-Plow	VP-96	1,450
84" Dozer Blade	DB-84	1,000
96" Dozer Blade	DB-96	1,250
- Top Extension for Dozer Blade	DB-*TC	Add 750
96" Snow Scraper	SBB-8	1,800
96" Snow Scraper w/Poly Blade	SBB-8-P	2,280
120" Snow Scraper	SBB-10	2,000
120" Snow Scraper w/Poly Blade	SBB-10-P	2,600
- Top Extension for Snow Scraper	SBB-*TC	Add 750
Dual Changer Max for bucket	DC-1	500

### ADAPTER OPTIONS

	P/N	PRICE
Snap-Att Adapters Weld on-Set (2)	C-2	110
Snap-Att Adapters-Bolt on-Set (2)	C-3	120
Snap-Attach Synchronizer	QCS-400	86



Prices and Specifications may be subject to change without notice. Prices do not include shipping or setup.

# LOADERS



Prices Effective as of 1-21

## LIMITED Series is anything but

60-120 **HP** 60-120  
2WD 4WD

The 440 Limited has the same features as the 420 Limited including the Smart-Lock system, Smart-Pac cylinders, Snap-Attache and much more. The 440 Limited accomodates wider attachments at the 40 series spacing.



## 440 LIMITED BASE PACKAGE ..... \$8,523

### MAX440 Base Package:

- 3" Smart-Pac Bucket Cylinders
- 3-1/2" Smart-Pac Lift Cylinders
- Remote Control Coupler
- Standard Bracket Set with Smart-Lock Latching System
- Hose Kit
- Flat Face Hydra-Snap™ Manifold
- Rotational Bucket Level Indicator
- 72" Bucket (72Q420)

LIFT CAPACITY	2500 psi	3000 psi
31.5" from Pin	3000	3600
At Pivot Pin	4395	5275
LIFT HEIGHT	11' 6"	
PKG WEIGHT	1609#	
COLOR	Gunmetal Black	

*Specs may vary based on tractor model.*

### FACTORY INSTALLED UPGRADES

Description	P/N	Price
<b>Bucket Options</b>		
- Back Drag Bucket	BD	Add 303
- Heavy Duty Bucket Teeth (set of 2)	BTB-390	Add 208
- Grab Fork Hooks (Std Buckets)	GF	Add 80
<b>Radiator Grill Guard</b>	RG	Add 298
<b>3rd Steel Line mtd, w/couplers</b>		
- Steel Line	T	Add 180
- Steel Line w/hoses to tractor	T2	Add 289
- Steel Line w/hoses to manifold/tractor*	T3	Add 346
- Steel Line w/hoses to manifold/valve*	T4	Add 319

\* Requires a 3-spool manifold - see HYDRAULIC MANIFOLDS

### HYDRAULIC MANIFOLDS

Description	P/N	Price
<b>2-SPOOL MANIFOLDS</b> to quick-connect loader to tractor		
- Flat Face Hydra-Snap™ Manifold	MA-381	Add <b>INC</b>
Level UP Advantage (Reg. \$922.00)	LV-UP	Add 500
Comfort Ride	CRS-750	Add 888

### BUCKET UPGRADES

BUCKETS	P/N	PRICE
72" Large Capacity Bucket	72Q417	<b>INC</b>
84" Large Capacity Bucket	84Q420	Add 174

### SPECIALTY BUCKETS

High Vol. Low Density Bucket	96Q454	1,697
Z-47 Feeder Bucket	Z-47	3,800
Feed Bunk Bucket	FBB-112	1,578
Fork Bucket	FB-42	800
Tine Bucket	TB-38	1,250

### BUCKET / GRAB FORK PACKAGES

84" BUCKET AND CAT CLAW		
Cat Claw 3-D Grab Fork	GF-184-3D	2,750
84" Lg. Cap. Tapered Bucket for GF-184	84Q420-GF-184	386
	Add	<b>3,136</b>

### 90" BUCKET AND MONSTER GRAB FORK (Curved Teeth)

Monster Grab Fork -Curved Teeth	GF-52	1,800
90" Large Capacity Bucket for GF-52	90Q425-GF52	386
	Add	<b>2,186</b>

### 90" BUCKET AND MONSTER GRAB FORK (Straight Teeth)

Monster Grab Fork - Straight Teeth	GF-51	1,500
90" Large Capacity Bucket for GF-51	90Q425-GF51	386
	Add	<b>1,886</b>

### ATTACHMENTS

HAY HANDLING	P/N	PRICE
2-Prong Bale Spear	SP-42	650
3-Prong Bale Spear	SP-43	600
4-Prong Bale Spear	SP-74	775
Stack Saver I	SS-I	750
Stack Saver II - 3	SS-II-3	800
Bale Handler	BH-15	4,250
Squeezer™	SQ-80	1,800

### MATERIAL HANDLING

P/N	PRICE	
Brush Crusher	BC-5000	1,500
Brush Crusher	BC-6000	2,000
Brush Crusher	BC-8200	2,500

84" Bucket Teeth 84" & 96" BUCKETS	BT-84	650
42" Fork Lift	FL-42	900
48" Fork Lift	FL-48	950
Extendable Boom	EB-34	1,000

### ADDITIONAL ATTACHMENTS

P/N	PRICE	
96" V-Plow	VP-96	1,450
84" Dozer Blade	DB-84	1,000
96" Dozer Blade	DB-96	1,250
- Top Extension for Dozer Blade	DB-*TC	Add 750
96" Snow Scraper	SBB-8	1,800
96" Snow Scraper w/Poly Blade	SBB-8-P	2,280
120" Snow Scraper	SBB-10	2,000
120" Snow Scraper w/Poly Blade	SBB-10-P	2,600
- Top Extension for Snow Scraper	SBB-*TC	Add 750
Dual Changer Max for bucket	DC-1	500

### ADAPTER OPTIONS

P/N	PRICE	
Snap-Att Adapters Weld on-Set (2)	C-2	110
Snap-Att Adapters-Bolt on-Set (2)	C-3	120
Snap-Attach Synchronizer	QCS-400	86



Prices and Specifications may be subject to change without notice. Prices do not include shipping or setup.

# LOADERS



## WL SERIES RANGES 80 - 240 HORSE POWER

### WL SERIES

This "Tried & True" series is designed to fit 2WD & some 4WD tractors. It includes Power-Mount™, and the patented Snap-Attach™ System which allows quick bucket removal and attachment hook-up without leaving the tractor seat. Loaders have higher lift, larger capacity buckets and low profile design. Most WL loaders have power linkage for excellent roll back and dump angles. The WL-64 is a 4WD model with a 15' lift height and mechanical self-leveling. The WL-42 & 44 have mechanical self-leveling while other models have the capability of adding hydraulic self-leveling.



### WL SERIES

### HP Ratings

4WD HP LISTED FIRST  
2WD HP LISTED SECOND

20 SERIES	WL-21	10' Lift Height	80		
	WL-27	12' Lift Height		100	
40 SERIES	WL-42	12'6" Lift Height			160
	WL-44	13' Lift Height	130		160
	WL-49	14' Lift Height			185
	WL-61	13'8" Lift Height			160
	WL-64	15' Lift Height			225

20 Series = 39" wide  
40 Series = 45.5" wide  
70 Series = 54" wide

# LOADERS



Prices Effective as of 1-21

## WL SERIES LOADERS

### Westendorf power in a smaller size

up to 80 HP  
2WD

The WL-21 or the Jiffy Loader™ is a perfect fit for smaller 2WD tractors, maintaining all the strength and durability that we put into our larger loaders. Great for moving hay, feeding livestock or cleaning up around the yard. It has a huge number of fits, providing excellent resale value.

## WL-21

**BASE PACKAGE ..... \$6,641**

Footnotes found in Bracket Chart

### WL-21 Base Package:

- 2-1/2" Bucket & Lift Cylinders
- Hydraulic Power-Mount™
- Snap-Attach™ System
- Standard Bracket Set
- Hose Kit
- MA-40 Hydraulic Manifold
- Bucket Gauge Rod
- 72" Bucket (72P214)

LIFT CAPACITY	2500 psi   3000 psi
31.5" from Pin	3000   3600
At Pivot Pin	4935   5925
LIFT HEIGHT	10'   120"
PKG WEIGHT	1541#
COLOR*	Westendorf Red

\*Custom Paint Colors Available. Call for Pricing.

### FACTORY INSTALLED UPGRADES

Description	PIN		PRICE
<b>Bucket Options</b>			
- Back Drag Bucket	BD	Add	303
- Heavy Duty Bucket Teeth (set of 2)	BTB-390	Add	208
- Chain Hooks	CH	Add	50
- Grab Fork Hooks (Std Buckets)	GF	Add	80
Rotational Height Indicator	LAC-25	Add	60
Full Range Level Indicator	LAC-15	Add	29
Radiator Grill Guard	RG	Add	103
<b>3rd Steel Line mtd, w/couplers</b>			
- Steel Line	T	Add	180
- Steel Line w/hoses to tractor	T2	Add	289
- Steel Line w/hoses to manifold/tractor*	T3	Add	346
- Steel Line w/hoses to manifold/valve*	T4	Add	319

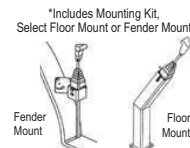
\* Requires a 3-spool manifold upgrade - see HYDRAULIC MANIFOLDS

### HYDRAULIC MANIFOLDS

Description	PIN		PRICE
<b>1-SPOOL MANIFOLDS</b> to quick-connect T-line to attachment			
- Standard Manifold			INC
- Flat Face Hydra-Snap™	MA-384		456
<b>2-SPOOL MANIFOLDS</b> to quick-connect loader to tractor			
- Standard Manifold	MA-40		INC
- Under Pressure Manifold	MA-80	Add	88
- Hydra-Snap™ Manifold	MA-280	Add	217
- Flat Face Hydra-Snap™ Manifold	MA-380	Add	729
<b>*3-SPOOL MANIFOLDS</b> to quick-connect loader to tractor			
- Standard Manifold	MA-43	Add	57
- Under Pressure Manifold	MA-83	Add	141
- Hydra-Snap™ Manifold	MA-283	Add	345
- Flat Face Hydra-Snap™ Manifold	MA-383	Add	1,160
Level UP Advantage (Reg. \$922.00)	LV-UP	Add	500
Comfort Ride	CRS-750	Add	888

### JOYSTICKS & HYDRAULIC PACKAGES

OC/CC - OPEN CENTER / CLOSED CENTER HYDRAULIC SYSTEMS						
	1	2	3	4	5	6
Spool	Valve w/Handles and Mounting Kit	Valve w/Direct Joystick & Mtg.Kit	Valve with Remote Cable Joystick*	Precision Valve and Remote Joystick*	Precision Valve w/Level-UP* Pre-Assembled-Ready to Use	All Electronic Valve with Electronic Joystick*
<b>A</b>	2 OC/CC	728	838	1,311	1,401	1,680
<b>B</b>	3 OC/CC	876	980	1,745	1,951	2,550
PFC - PRESSURE FLOW HYDRAULIC SYSTEMS						
<b>C</b>	2 PFC	N/A	N/A	N/A	2,000	2,487
<b>D</b>	3 PFC	N/A	N/A	N/A	2,600	2,944
						6,659
						6,995



### BUCKET UPGRADES

BUCKETS	P/N		PRICE
72" Bucket	72Q214		INC
84" Bucket	84Q216	Add	89

### SKID STEER COMPATIBLE BUCKETS & ADAPTERS

Adapter-adapts loader to skid steer	C-31	Add	79
66" Skid Steer Bucket	66QS14	Deduct	123
72" Skid Steer Bucket	72QS14	Add	89
84" Skid Steer Bucket	84QS16	Add	180

### SPECIALTY BUCKETS

Fork Bucket	FB-42		800
Tine Bucket	TB-38		1,250

### ATTACHMENTS

HAY HANDLING	P/N		PRICE
Bucket Bale Spear	SP-22		350
2-Prong Bale Spear	SP-42		650
3-Prong Bale Spear	SP-43		600
4-Prong Bale Spear	SP-74		775
Stack Saver I	SS-I		750
Stack Saver II - 3	SS-II-3		800
Squeezer™	SQ-80		1,800

MATERIAL HANDLING	P/N		PRICE
Brush Crusher	BC-4000		1,100
Brush Crusher*	BC-5000		1,500
Brush Crusher*	BC-6000		2,000
Brush Crusher** 56" w /finishing teeth	BC-7700		2,000
Brush Crusher	BC-8200		2,500
Quick Tach Bucket Teeth	QT-72		650
Rake Teeth	RK-40		170
Sabretooth	GF-32		650
Jiffy Monster Grab Fork	GF-20		1,250
42" Fork Lift	FL-42		900
48" Fork Lift	FL-48		950
Extendable Boom	EB-34		1,000

\* Requires Snap-Attach System \*\*Requires Skid-Steer Adapter

ADDITIONAL ATTACHMENTS	P/N		PRICE
96" V-Plow	VP-96		1,450
84" Dozer Blade	DB-84		1,000
84" Dozer Blade w/Top Extension	DB-84TC		1,750
96" Snow Scraper	SBB-8		1,800
96" Snow Scraper with Poly Blade	SBB-8P		2,280
- Top Extension for Snow Scraper	SBB-*TC	Add	750
Dual Tire Changer Max for bucket	DC-1		500

ADAPTER OPTIONS	P/N		PRICE
Skid-Steer Adapters - Weld On	C-78		125
Skid-Steer Adapters - Bolt On	C-85		135
Snap-Att Adapters Weld on-Set (2)	C-2		110
Snap-Att Adapters-Bolt on-Set (2)	C-3		120
Snap-Attach Synchronizer	QCS-200		75



Prices and Specifications may be subject to change without notice. Prices do not include shipping or setup.

# LOADERS

Prices Effective as of 1-21



## WL SERIES LOADERS

### The WL Series workhorse

up to 100 2VWD

The WL-27 is ready for any chore your tractor can handle. It is considered an outstanding hay loader with its 12' lift height and its low-profile design looks great on today's newer tractors. This powerful loader falls between the WL-21 and WL-42 for fits and features and will get all those jobs done quickly and efficiently.

## WL-27

### BASE PACKAGE

**\$7,685**

Footnotes found in Bracket Chart

#### WL-27 Base Package:

- 2-1/2" Bucket & Lift Cylinders
- Hydraulic Power-Mount™
- Snap-Attach™ System
- Standard Bracket Set
- Hose Kit
- MA-40 Hydraulic Manifold
- Bucket Gauge Rod
- 72" Bucket (72Q214)

<b>LIFT CAPACITY</b>	2500 psi   3000 psi
31.5" from Pin	3100   3720
At Pivot Pin	4540   5450
<b>LIFT HEIGHT</b>	12'   144"
<b>PKG WEIGHT</b>	1733#
<b>COLOR*</b>	Westendorf Red

\*Custom Paint Colors Available. Call for Pricing.

#### FACTORY INSTALLED UPGRADES

Description	P/N	PRICE
Bucket Options		
- Back Drag Bucket	BD	Add 303
- Heavy Duty Bucket Teeth (set of 2)	BTB-390	Add 208
- Chain Hooks	CH	Add 50
- Grab Fork Hooks (Std Buckets)	GF	Add 80
Rotational Height Indicator	LAC-25	Add 60
Full Range Level Indicator	LAC-15	Add 29
Radiator Grill Guard	RG	Add 103
3rd Steel Line mtd, w/couplers		
- Steel Line	T	Add 180
- Steel Line w/hoses to tractor	T2	Add 289
- Steel Line w/hoses to manifold/tractor*	T3	Add 346
- Steel Line w/hoses to manifold/valve*	T4	Add 319

\* Requires a 3-spool manifold upgrade - see HYDRAULIC MANIFOLDS

#### HYDRAULIC MANIFOLDS

Description	P/N	PRICE
<b>1-SPOOL MANIFOLDS</b> to quick-connect T-line to attachment		
- Standard Manifold		INC
- Flat Face Hydra-Snap™	MA-384	Add 456
<b>2-SPOOL MANIFOLDS</b> to quick-connect loader to tractor		
- Standard Manifold	MA-40	INC
- Under Pressure Manifold	MA-80	Add 88
- Hydra-Snap™ Manifold	MA-280	Add 217
- Flat Face Hydra-Snap™ Manifold	MA-380	Add 729
<b>*3-SPOOL MANIFOLDS</b> to quick-connect loader to tractor		
- Standard Manifold	MA-43	Add 57
- Under Pressure Manifold	MA-83	Add 141
- Hydra-Snap™ Manifold	MA-283	Add 345
- Flat Face Hydra-Snap™ Manifold	MA-383	Add 1,160
Level UP Advantage (Reg. \$922.00)	LV-UP	Add 500
Comfort Ride	CRS-750	Add 888

#### JOYSTICKS & HYDRAULIC PACKAGES

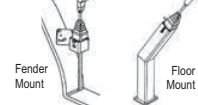
##### OC/CC - OPEN CENTER / CLOSED CENTER HYDRAULIC SYSTEMS

	1	2	3	4	5	6
Spool	Valve w/Handles and Mounting Kit	Valve w/Direct Joystick & Mtg Kit	Valve with Remote Cable Joystick*	Precision Valve and Remote Joystick*	Precision Valve w/Level-UP* Pre-Assembled-Ready to Use	All Electronic Valve with Electronic Joystick*
<b>A</b>	2 OC/CC	728	838	1,311	1,401	1,680
<b>B</b>	3 OC/CC	876	980	1,745	1,951	2,550

##### PFC - PRESSURE FLOW HYDRAULIC SYSTEMS

<b>C</b>	2 PFC	N/A	N/A	N/A	2,000	2,487	6,659
<b>D</b>	3 PFC	N/A	N/A	N/A	2,600	2,944	6,995

\*Includes Mounting Kit, Select Floor Mount or Fender Mount



#### BUCKET UPGRADES

BUCKETS	P/N	PRICE
72" Bucket	72Q214	INC
84" Bucket	84Q216	Add 89

#### SPECIALTY BUCKETS

Fork Bucket	FB-42	800
Tine Bucket	TB-38	1,250

#### ATTACHMENTS

HAY HANDLING	P/N	PRICE
Bucket Bale Spear	SP-22	350
2-Prong Bale Spear	SP-42	650
3-Prong Bale Spear	SP-43	600
4-Prong Bale Spear	SP-74	775
Stack Saver I	SS-I	750
Stack Saver II - 3	SS-II-3	800
Squeezer™	SQ-80	1,800

#### MATERIAL HANDLING

P/N	PRICE	
Brush Crusher	BC-5000	1,500
Brush Crusher	BC-6000	2,000
Brush Crusher	BC-8200	2,500
Bucket Teeth	QT-72	650
Rake Teeth	RK-40	170
Sabretooth	GF-32	650
Jiffy Monster Grab Fork	GF-20	1,250
Monster Grab Fork	GF-28	1,750
42" Fork Lift	FL-42	900
48" Fork Lift	FL-48	950
Extendable Boom	EB-34	1,000

#### ADDITIONAL ATTACHMENTS

P/N	PRICE	
96" V-Plow	VP-96	1,450
84" Dozer Blade	DB-84	1,000
84" Dozer Blade w/Top Extension	DB-84TC	1,750
96" Snow Scraper	SBB-8	1,800
96" Snow Scraper w/Poly Blade	SBB-8-P	2,280
- Top Extension for Snow Scraper	SBB-*TC	Add 750
Dual Changer Max for bucket	DC-1	500

#### ADAPTER OPTIONS

P/N	PRICE	
Skid-Steer Adapters - Weld On	C-78	125
Skid-Steer Adapters - Bolt On	C-85	135
Snap-Att Adapters Weld on-Set (2)	C-2	110
Snap-Att Adapters-Bolt on-Set (2)	C-3	120
Snap-Attach Synchronizer	QCS-200	75



Prices and Specifications may be subject to change without notice. Prices do not include shipping or setup.



# LOADERS



Prices Effective as of 1-21

## WL SERIES LOADERS

### Power plus a whole lot more

up to 160 HP  
2WD  
"Tried & True"

The WL-42 is hands down the best 2WD loader for your dollar. It has the strength and long-term durability to provide you many, many years of service. Its classic styling lends itself well to old or new 2WD tractors. It features the original on and off without stands and the Snap-Attach™ for quick attachment changes.

## WL-42

**BASE PACKAGE ..... \$9,120**

Footnotes found in Bracket Chart

### WL-42 Base Package:

- 2-1/2" Bucket Cylinders
- 3" Lift Cylinders
- Hydraulic Power-Mount™
- Snap-Attach™ System
- Standard Bracket Set
- Hose Kit
- MA-40 Hydraulic Manifold
- Bucket Gauge Rod
- 84" Lg. Cap. Bucket (84Q425)

LIFT CAPACITY	2500 psi   3000 psi
31.5" from Pin	4000   4800
At Pivot Pin	5860   7025
LIFT HEIGHT	12' 6"   150"
PKG WEIGHT	2094#
COLOR*	Westendorf Red

\*Custom Paint Colors Available. Call for Pricing.

### FACTORY INSTALLED UPGRADES

Description	P/N	Price
Loader has special tower. <i>Order when call for in bracket chart.</i>	A	Add 196
Mechanical Self-Leveling	B	Add 1,146
Bucket Cylinder Upgrade	C	Add 299
Bucket Options		
- Back Drag Bucket	BD	Add 303
- Heavy Duty Bucket Teeth (set of 2)	BTB-390	Add 208
- Chain Hooks	CH	Add 50
- Grab Fork Hooks (Std Buckets)	GF	Add 80
- Grab Fork Hooks (HDHC Buckets)	GF	Add 150
Rotational Height Indicator	LAC-25	Add 60
Full Range Level Indicator	LAC-15	Add 29
Radiator Grill Guard	RG	Add 103
3rd Steel Line mtd, w/couplers		
- Steel Line	T	Add 180
- Steel Line w/hoses to tractor	T2	Add 289
- Steel Line w/hoses to manifold/tractor*	T3	Add 346
- Steel Line w/hoses to manifold/valve*	T4	Add 319

\* Requires a 3-spool manifold upgrade - see HYDRAULIC MANIFOLDS

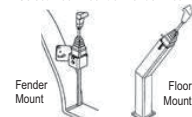
### HYDRAULIC MANIFOLDS

Description	P/N	PRICE
<b>1-SPOOL MANIFOLDS</b> to quick-connect T-line to attachment		
- Standard Manifold		INC
- Flat Face Hydra-Snap™	MA-384	456
<b>2-SPOOL MANIFOLDS</b> to quick-connect loader to tractor		
- Standard Manifold	MA-40	INC
- Under Pressure Manifold	MA-80	Add 88
- Hydra-Snap™ Manifold	MA-280	Add 217
- Flat Face Hydra-Snap™ Manifold	MA-380	Add 729
<b>*3-SPOOL MANIFOLDS</b> to quick-connect loader to tractor		
- Standard Manifold	MA-43	Add 57
- Under Pressure Manifold	MA-83	Add 141
- Hydra-Snap™ Manifold	MA-283	Add 345
- Flat Face Hydra-Snap™ Manifold	MA-383	Add 1,160
Level UP Advantage (Reg. \$922.00)	LV-UP	Add 500
Comfort Ride	CRS-750	Add 888

### JOYSTICKS & HYDRAULIC PACKAGES

OC/CC - OPEN CENTER / CLOSED CENTER HYDRAULIC SYSTEMS						
	1	2	3	4	5	6
Spool	Valve w/Handles and Mounting Kit	Valve w/Direct Joystick & Mtg.Kit	Valve with Remote Cable Joystick*	Precision Valve and Remote Joystick*	Precision Valve w/Level-UP* Pre-Assembled-Ready to Use	All Electronic Valve with Electronic Joystick*
<b>A</b>	2 OC/CC	728	838	1,311	1,401	1,680
<b>B</b>	3 OC/CC	876	980	1,745	1,951	2,550
PFC - PRESSURE FLOW HYDRAULIC SYSTEMS						
<b>C</b>	2 PFC	N/A	N/A	N/A	2,000	2,487
<b>D</b>	3 PFC	N/A	N/A	N/A	2,600	2,944
						6,659
						6,995

\*Includes Mounting Kit, Select Floor Mount or Fender Mount



### BUCKET UPGRADES

BUCKETS	P/N	PRICE
84" Large Capacity Bucket	84Q425	INC
96" Large Capacity Bucket	96Q429	Add 135
HDHC= HEAVY DUTY HIGH CAPACITY BUCKETS		
84" HDHC Double Weld-On Blade	84Q431W	Add 372
84" HDHC Bolt-On Blade	84Q431B	Add 539
96" HDHC Double Weld-On Blade	96Q435W	Add 575
96" HDHC Bolt-On Blade	96Q435B	Add 837
SPECIALTY BUCKETS		
High Vol. Low Density Bucket	96Q454	Add 466
Z-47 Feeder Bucket	Z-47	Add 2,569
Feed Bunk Bucket	FBB-112	Add 347
Fork Bucket	FB-42	800
Tine Bucket	TB-38	1,250

### ATTACHMENTS

HAY HANDLING	P/N	PRICE
2-Prong Bale Spear	SP-42	650
3-Prong Bale Spear	SP-43	600
4-Prong Bale Spear	SP-74	775
Stack Saver I	SS-I	750
Stack Saver II - 3	SS-II-3	800
Bale Handler	BH-15	4,250
Squeezer™	SQ-80	1,800

### MATERIAL HANDLING

	P/N	PRICE
Brush Crusher	BC-5000	1,500
Brush Crusher	BC-6000	2,000
Brush Crusher	BC-8200	2,500
Bucket Teeth 84" & 96" BUCKETS	BT-84	650
Rake Teeth	RK-40	170
42" Fork Lift	FL-42	900
48" Fork Lift	FL-48	950
Extendable Boom	EB-34	1,000
Sabretooth	GF-32	650
Monster Grab Fork Straight Teeth	GF-51	1,500
Monster Grab Fork Curved Teeth	GF-52	1,800
Quick Mount Claw Grab Fork	GF-64	2,200
84" Cat Claw 3-D Grab Fork*	GF-184-3D	2,750
96" Cat Claw 3-D Grab Fork*	GF-196-3D	3,000
84" Cat Claw 3-D Grab Fork	GF-84-3D	2,750
96" Cat Claw 3-D Grab Fork	GF-96-3D	3,000

\* For Freedom Mount, HDHC and HD Custom Contour Buckets

### ADDITIONAL ATTACHMENTS

	P/N	PRICE
96" V-Plow	VP-96	1,450
84" Dozer Blade	DB-84	1,000
96" Dozer Blade	DB-96	1,250
- Top Extension for Dozer Blade	DB-*TC	Add 750
96" Snow Scraper	SBB-8	1,800
96" Snow Scraper w/Poly Blade	SBB-8-P	2,280
120" Snow Scraper	SBB-10	2,000
120" Snow Scraper w/Poly Blade	SBB-10-P	2,600
- Top Extension for Snow Scraper	SBB-*TC	Add 750
Dual Changer Max for bucket	DC-1	500

### ADAPTER OPTIONS

	P/N	PRICE
Skid-Steer Adapters - Weld On	C-78	125
Skid-Steer Adapters - Bolt On	C-85	135
Snap-Att Adapters Weld on-Set (2)	C-2	110
Snap-Att Adapters-Bolt on-Set (2)	C-3	120
Snap-Attach Synchronizer	QCS-400	86



# LOADERS



Prices Effective as of 1-21

## WL SERIES LOADERS

up to 160 **HP**  
2WD "Tried & True"

### WL-42 80th Anniversary

This customer appreciation loader combines the look and feel of the WL-42 with the new features and benefits of our MAX and Freedom Mount Loaders, including our patented Hydra-Snap™ and the latest Remote Control Coupler.

## WL-42 80th Anniversary

**BASE PACKAGE ..... \$10,500**

Footnotes found in Bracket Chart

#### WL-42 Base Package:

- 3" Bucket & Lift Cylinders
- 35° Roll Back
- 62° Dump Angle
- Hydraulic Power-Mount™
- Remote Control Coupler
- Standard Bracket
- Hose Kit
- Hydra-Snap™ Manifold
- Bucket Gauge Rod
- 84" Lg. Cap. Bucket (84Q425)

LIFT CAPACITY	2500 psi	3000 psi
31.5" from Pin	4000	4800
At Pivot Pin	5860	7025
LIFT HEIGHT	13'   156"	
PKG WEIGHT	2094#	
COLOR*	Red & Black	

\*Custom Paint Colors Available. Call for Pricing.

#### FACTORY INSTALLED UPGRADES

Description	P/N	Price
Bucket Options		
- Back Drag Bucket	BD	Add 303
- Heavy Duty Bucket Teeth (set of 2)	BTB-390	Add 208
- Chain Hooks	CH	Add 50
- Grab Fork Hooks (Std Buckets)	GF	Add 80
- Grab Fork Hooks (HDHC Buckets)	GF	Add 150
Rotational Height Indicator	LAC-25	Add 60
Full Range Level Indicator	LAC-15	Add 29
Radiator Grill Guard	RG	Add 103
3rd Steel Line mtd, w/couplers		
- Steel Line	T	Add 180
- Steel Line w/hoses to tractor	T2	Add 289
- Steel Line w/hoses to manifold/tractor*	T3	Add 346
- Steel Line w/hoses to manifold/valve*	T4	Add 319

\* Requires a 3-spool manifold upgrade - see HYDRAULIC MANIFOLDS

#### HYDRAULIC MANIFOLDS

Description	P/N	PRICE
<b>1-SPOOL MANIFOLDS</b> to quick-connect T-line to attachment		
- Standard Manifold		INC
- Flat Face Hydra-Snap™	MA-384	456
<b>2-SPOOL MANIFOLDS</b> to quick-connect loader to tractor		
- Flat Face Hydra-Snap™ Manifold	MA-380	INC
<b>*3-SPOOL MANIFOLDS</b> to quick-connect loader to tractor		
- Flat Face Hydra-Snap™ Manifold	MA-383	Add 431
Level UP Advantage (Reg. \$922.00)	LV-UP	Add 500
Comfort Ride	CRS-750	Add 888

#### JOYSTICKS & HYDRAULIC PACKAGES

OC/CC - OPEN CENTER / CLOSED CENTER HYDRAULIC SYSTEMS							*Includes Mounting Kit, Select Floor Mount or Fender Mount
Spool	1	2	3	4	5	6	
A 2 OC/CC	728	838	1,311	1,401	1,680	N/A	
B 3 OC/CC	876	980	1,745	1,951	2,550	N/A	
PFC - PRESSURE FLOW HYDRAULIC SYSTEMS							Fender Mount Floor Mount
C 2 PFC	N/A	N/A	N/A	2,000	2,487	6,659	
D 3 PFC	N/A	N/A	N/A	2,600	2,944	6,995	



#### BUCKET UPGRADES

BUCKETS	P/N	PRICE
84" Large Capacity Bucket	84Q425	INC
96" Large Capacity Bucket	96Q429	Add 135
<b>HDHC= HEAVY DUTY HIGH CAPACITY BUCKETS</b>		
84" HDHC Double Weld-On Blade	84Q431W	Add 372
84" HDHC Bolt-On Blade	84Q431B	Add 539
96" HDHC Double Weld-On Blade	96Q435W	Add 575
96" HDHC Bolt-On Blade	96Q435B	Add 837
<b>SPECIALTY BUCKETS</b>		
High Vol. Low Density Bucket	96Q454	Add 466
Z-47 Feeder Bucket	Z-47	Add 2,569
Feed Bunk Bucket	FBB-112	Add 347
Fork Bucket	FB-42	800
Tine Bucket	TB-38	1,250

#### ATTACHMENTS

HAY HANDLING	P/N	PRICE
2-Prong Bale Spear	SP-42	650
3-Prong Bale Spear	SP-43	600
4-Prong Bale Spear	SP-74	775
Stack Saver I	SS-I	750
Stack Saver II - 3	SS-II-3	800
Bale Handler	BH-15	4,250
Squeezer™	SQ-80	1,800

#### MATERIAL HANDLING

P/N	PRICE	
Brush Crusher	BC-5000	1,500
Brush Crusher	BC-6000	2,000
Brush Crusher	BC-8200	2,500
<b>Bucket Teeth 84" &amp; 96" BUCKETS</b>		
Bucket Teeth	BT-84	650
42" Fork Lift	RK-40	170
48" Fork Lift	FL-42	900
Extendable Boom	FL-48	950
Sabretooth	EB-34	1,000
Monster Grab Fork Straight Teeth	GF-51	1,500
Monster Grab Fork Curved Teeth	GF-52	1,800
Quick Mount Claw Grab Fork	GF-64	2,200
84" Cat Claw 3-D Grab Fork*	GF-184-3D	2,750
96" Cat Claw 3-D Grab Fork*	GF-196-3D	3,000
84" Cat Claw 3-D Grab Fork	GF-84-3D	2,750
96" Cat Claw 3-D Grab Fork	GF-96-3D	3,000

\* For Freedom Mount, HDHC and HD Custom Contour Buckets

#### ADDITIONAL ATTACHMENTS

P/N	PRICE	
96" V-Plow	VP-96	1,450
84" Dozer Blade	DB-84	1,000
96" Dozer Blade	DB-96	1,250
- Top Extension for Dozer Blade	DB-*TC	Add 750
96" Snow Scraper	SBB-8	1,800
96" Snow Scraper w/Poly Blade	SBB-8-P	2,280
120" Snow Scraper	SBB-10	2,000
120" Snow Scraper w/Poly Blade	SBB-10-P	2,600
- Top Extension for Snow Scraper	SBB-*TC	Add 750
Dual Changer Max for bucket	DC-1	500

#### ADAPTER OPTIONS

P/N	PRICE	
Skid-Steer Adapters - Weld On	C-78	125
Skid-Steer Adapters - Bolt On	C-85	135
Snap-Att Adapters Weld on-Set (2)	C-2	110
Snap-Att Adapters-Bolt on-Set (2)	C-3	120
Snap-Attach Synchronizer	QCS-400	86

# LOADERS



Prices Effective as of 1-21

## WL SERIES LOADERS

up to **160** HP up to **130**  
2WD 4WD

# WL-44

## BASE PACKAGE .....

# \$10,094

Footnotes found in Bracket Chart

The WL-44 fits 2WD tractors and some 4WD tractors. It has mechanical self-leveling and added lift capacity. See WL-42 for attachments.

**WL-44 Base Package:**

- 3" Bucket & Lift Cylinders
- Mechanical Self-Leveling
- Hydraulic Power-Mount™
- Snap-Attach™ System
- Standard Bracket Set & Hose Kit
- MA-40 Hydraulic Manifolds
- Bucket Gauge Rod
- 84" Large Capacity Bucket (84Q425)

<b>LIFT CAPACITY</b>	2500 psi   3000 psi
31.5" from Pin	4000   4800
At Pivot Pin	5860   7025
<b>LIFT HEIGHT</b>	14'   168"
<b>PKG WEIGHT</b>	2359#
<b>COLOR*</b>	Westendorf Red

\*Custom Paint Colors Available. Call for Pricing.

up to **160** HP up to **130**  
2WD 4WD

# WL-61

## BASE PACKAGE .....

# \$12,324

Footnotes found in Bracket Chart

Built for super performance and years of use. The WL-61 works well on wider tractors like the 7000 Allis, Massey & International V-8 tractors. See WL-64 for attachments.

**WL-61 Base Package:**

- 3" Bucket & Lift Cylinders
- Hydraulic Power-Mount™
- Snap-Attach™ System
- Standard Bracket Set & Hose Kit
- MA-40 Hydraulic Manifolds
- Bucket Gauge Rod
- 84" Large Capacity Bucket (84Q425)

<b>LIFT CAPACITY</b>	2500 psi   3000 psi
31.5" from Pin	7025   8400
At Pivot Pin	10,255   12,300
<b>LIFT HEIGHT</b>	13' 8"   164"
<b>PKG WEIGHT</b>	2324#
<b>COLOR*</b>	Westendorf Red

\*Custom Paint Colors Available. Call for Pricing.

up to **240** HP up to **225**  
2WD 4WD

# WL-64

## BASE PACKAGE .....

# \$14,827

Footnotes found in Bracket Chart

The WL-64 loader is ideal for a heavy hay handler with its 15' lift height and standard mechanical self-leveling feature. It fits many 4WD tractor models.

**WL-64 Base Package:**

- 3" Bucket & Lift Cylinders
- Hydraulic Power-Mount™
- Mechanical Self-Leveling
- Snap-Attach™ System
- Standard Bracket Set & Hose Kit
- MA-40 Hydraulic Manifolds
- Bucket Gauge Rod
- 84" Large Capacity Bucket (84Q425)

<b>LIFT CAPACITY</b>	2500 psi   3000 psi
31.5" from Pin	3875   4650
At Pivot Pin	5700   6850
<b>LIFT HEIGHT</b>	15'   180"
<b>PKG WEIGHT</b>	3045#
<b>COLOR*</b>	Westendorf Red

\*Custom Paint Colors Available. Call for Pricing.



# LOADERS



## TA SERIES RANGES 60 - 240 HORSE POWER

### TA SERIES

With over ten models, the TA series incorporates many features and benefits that most people want in a loader today. It fits our patented uni-fit bracket system so you can use the same loader on two different tractors, which is one of the reasons the resale value of these loaders is so great. These loaders are "Stone Black" in color and designed to fit the entire range of horsepower in both 2WD and 4WD tractors. They include features such as excellent roll back and dump angles, add-on self-leveling, no-spill self-leveling, and Westendorf's patented features. The TA Series has the Power-Mount™ and the Snap-Attach™ system, and still maintains low profile for good visibility.



### TA SERIES

### HP Ratings

4WD HP LISTED FIRST  
2WD HP LISTED SECOND

20 SERIES	TA-25	9'4" Lift Height	60	75		
	TA-26/26+	10'5" Lift Height		90	120	
	TA-26-12	12' Lift Height		90	120	
20 SERIES	TA-28	13'4" Lift Height		120	160	
	TA-28+	13'4" Lift Height		135	165	
	TA-29	13' Lift Height		135	165	
40 SERIES	TA-45	13'4" Lift Height	130		160	
	TA-46	13'9" Lift Height		165	190	
	TA-48	14'3" Lift Height		185	210	
70 SERIES	TA-76	15'2" Lift Height			225	240
	TA-77	17'4" Lift Height			225	240

20 Series = 39" wide  
40 Series = 45.5" wide  
70 Series = 54" wide

# LOADERS



Prices Effective as of 1-21

## TA SERIES LOADERS

### Quality priced right

30-75 HP 30-60  
2WD 4WD

The TA-25 is a great example of Westendorf quality at the right price. The TA-25 is a well-built, low-profile loader for nurseries and small cattle feeders, built for the every day user. It has the same great Power-Mount™ feature of the larger loaders and also includes an economical quick-change bucket system that automatically locks into the next attachment.

# TA-25 BASE PACKAGE..... \$5,769

Footnotes found in Bracket Chart

#### TA-25 Base Package:

- 2" Bucket Cylinders
- 2-1/2" Lift Cylinders
- Hydraulic Power-Mount™
- Quick-Attach
- Standard Bracket Set
- Hose Kit
- MA-40 Hydraulic Manifold
- Bucket Gauge Rod
- 60" Bucket (60Q512)

<b>LIFT CAPACITY</b>	2500 psi   3000 psi
31.5" from Pin	3000   3600
At Pivot Pin	4395   5275
<b>LIFT HEIGHT</b>	9' 4"   112"
<b>PKG WEIGHT</b>	1255#
<b>COLOR*</b>	Stone Black

\*Custom Paint Colors Available. Call for Pricing.

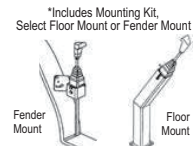
#### FACTORY INSTALLED UPGRADES

Description	P/N	Price
Rotational Height Indicator	LAC-25	Add <b>60</b>
Full Range Level Indicator	LAC-15	Add <b>29</b>
Radiator Grill Guard	RG	Add <b>103</b>
3rd Steel Line mtd, w/couplers		
- Steel Line	T	Add <b>180</b>
- Steel Line w/hoses to tractor	T2	Add <b>289</b>
- Steel Line w/hoses to manifold/tractor*	T3	Add <b>346</b>
- Steel Line w/hoses to manifold/valve*	T4	Add <b>319</b>

\* Requires a 3-spool manifold - see HYDRAULIC MANIFOLDS

#### JOYSTICKS & HYDRAULIC PACKAGES

OC/CC - OPEN CENTER / CLOSED CENTER HYDRAULIC SYSTEMS							
	1	2	3	4	5	6	
Spool	Valve w/Handles and Mounting Kit	Valve w/Direct Joystick & Mtg Kit	Valve with Remote Cable Joystick*	Precision Valve and Remote Joystick*	Precision Valve w/Level-UP* Pre-Assembled-Ready to Use	All Electronic Valve with Electronic Joystick*	
<b>A</b>	2 OC/CC	<b>728</b>	<b>838</b>	<b>1,311</b>	<b>1,401</b>	<b>1,680</b>	N/A
<b>B</b>	3 OC/CC	<b>876</b>	<b>980</b>	<b>1,745</b>	<b>1,951</b>	<b>2,550</b>	N/A
PFC - PRESSURE FLOW HYDRAULIC SYSTEMS							
<b>C</b>	2 PFC	N/A	N/A	N/A	<b>2,000</b>	<b>2,487</b>	<b>6,659</b>
<b>D</b>	3 PFC	N/A	N/A	N/A	<b>2,600</b>	<b>2,944</b>	<b>6,995</b>



#### HYDRAULIC MANIFOLDS

Description	P/N	PRICE
<b>1-SPOOL MANIFOLDS</b> to quick-connect T-line to attachment		
- Standard Manifold		<b>INC</b>
- Flat Face Hydra-Snap™	MA-384	<b>456</b>
<b>2-SPOOL MANIFOLDS</b> to quick-connect loader to tractor		
- Standard Manifold	MA-40	<b>INC</b>
- Under Pressure Manifold	MA-80	Add <b>88</b>
- Hydra-Snap™ Manifold	MA-280	Add <b>217</b>
- Flat Face Hydra-Snap™ Manifold	MA-380	Add <b>729</b>
<b>*3-SPOOL MANIFOLDS</b> to quick-connect loader to tractor		
- Standard Manifold	MA-43	Add <b>57</b>
- Under Pressure Manifold	MA-83	Add <b>141</b>
- Hydra-Snap™ Manifold	MA-283	Add <b>345</b>
- Flat Face Hydra-Snap™ Manifold	MA-383	Add <b>1,160</b>
Level UP Advantage (Reg. \$922.00)	LV-UP	Add <b>500</b>
Comfort Ride	CRS-750	Add <b>888</b>

#### BUCKET UPGRADES

BUCKETS	P/N	PRICE
60" Bucket	60Q512	<b>INC</b>
72" Bucket	72Q514	Add <b>116</b>
<b>SKID STEER COMPATIBLE BUCKETS &amp; ADAPTERS</b>		
Adapter-adapts to skid steer attachment	C-20	Add <b>79</b>
66" Skid Steer Bucket	66QS14	Add <b>108</b>
72" Skid Steer Bucket	72QS15	Add <b>171</b>

#### SPECIALTY BUCKETS

Tine Bucket	TB-38/C-11	<b>1,250</b>
-------------	------------	--------------

#### ATTACHMENTS

HAY HANDLING	P/N	PRICE
2-Prong Bale Spear	SP-42/C-11	<b>650</b>
3-Prong Bale Spear	SP-43/C-11	<b>600</b>
Stack Saver II - 3	SS-II-3/C-11	<b>800</b>
MATERIAL HANDLING		
	P/N	PRICE
Brush Crusher	BC-4000	<b>1,100</b>
Brush Crusher** 56" w/finishing teeth	BC-7700	<b>2,000</b>
Bucket Teeth	RQT-60	<b>250</b>
Bucket Teeth	RQT-72	<b>280</b>
Rake Teeth	RK-40	<b>170</b>
42" Fork Lift	FL-42/C-11	<b>900</b>
48" Fork Lift	FL-48/C-11	<b>950</b>
Extendable Boom	EB-34/C-11	<b>1,000</b>

\*\*Requires Skid-Steer Adapter

#### ADDITIONAL ATTACHMENTS

	P/N	PRICE
72" V-Plow	VP-72/C-11	<b>1,200</b>
Dual Changer Max for bucket	DC-1	<b>500</b>

#### ADAPTER OPTIONS

	P/N	PRICE
Skid-Steer Adapters - Weld On	C-78	<b>125</b>
Skid-Steer Adapters - Bolt On	C-85	<b>135</b>
Snap-Attach Adapters	C-11	<b>205</b>



Prices and Specifications may be subject to change without notice. Prices do not include shipping or setup.

# LOADERS

Prices Effective as of 1-21

## TA SERIES LOADERS



### #1 Customer Preferred loader with over 1300 fits

30-120 HP 30-90  
2WD 4WD

With over 1300 fits, this is our most popular 4WD loader. The power linkage, slide locks, shoe adjustments, case hardened pins, and add-on self-leveling kit have proven that the TA-26 is the best all-around loader for versatility and dependability. Its unique I-beam construction and double tapered arm gives it superior strength and a low-profile fit, all in one package.

## TA-26 BASE PACKAGE ..... \$7,046

Footnotes found in Bracket Chart

#### TA-26 Base Package:

- 2-1/2" Bucket Cylinders
- 3" Lift Cylinders
- Hydraulic Power-Mount™
- Snap-Attach™
- Standard Bracket Set
- Hose Kit
- MA-40 Hydraulic Manifold
- Bucket Gauge Rod
- 72" Lg Cap Bucket (72Q214)

LIFT CAPACITY	2500 psi   3000 psi
31.5" from Pin	3000   3600
At Pivot Pin	4395   5275
LIFT HEIGHT	10' 5"   125"
PKG WEIGHT	1755#
COLOR*	Stone Black

\*Custom Paint Colors Available. Call for Pricing.

#### FACTORY INSTALLED UPGRADES

Description	P/N	PAGE	Price
Add-on Mech. Self-Leveling - Low Profile	B	Add	656
<i>Adds 20% more lift capacity (Reg. \$844)</i>			
<b>Bucket Options</b>			
- Back Drag Bucket	BD	Add	303
- Heavy Duty Bucket Teeth (set of 2)	BTB-390	Add	208
- Chain Hooks	CH	Add	50
- Grab Fork Hooks (Std Buckets)	GF	Add	80
Rotational Height Indicator	LAC-25	Add	60
Full Range Level Indicator	LAC-15	Add	29
Radiator Grill Guard	RG	Add	103
<b>3rd Steel Line mtd, w/couplers</b>			
- Steel Line	T	Add	180
- Steel Line w/hoses to tractor	T2	Add	289
- Steel Line w/hoses to manifold/tractor*	T3	Add	346
- Steel Line w/hoses to manifold/valve*	T4	Add	319

\* Requires a 3-spool manifold - see HYDRAULIC MANIFOLDS

#### HYDRAULIC MANIFOLDS

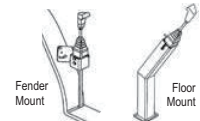
Description	P/N	PRICE
<b>1-SPOOL MANIFOLDS</b> to quick-connect T-line to attachment		
- Standard Manifold		INC
- Flat Face Hydra-Snap™	MA-384	456
<b>2-SPOOL MANIFOLDS</b> to quick-connect loader to tractor		
- Standard Manifold	MA-40	INC
- Under Pressure Manifold	MA-80	Add 88
- Hydra-Snap™ Manifold	MA-280	Add 217
- Flat Face Hydra-Snap™ Manifold	MA-380	Add 729
<b>*3-SPOOL MANIFOLDS</b> to quick-connect loader to tractor		
- Standard Manifold	MA-43	Add 57
- Under Pressure Manifold	MA-83	Add 141
- Hydra-Snap™ Manifold	MA-283	Add 345
- Flat Face Hydra-Snap™ Manifold	MA-383	Add 1,160
Level UP Advantage (Reg. \$922.00)	LV-UP	Add 500
Comfort Ride	CRS-750	Add 888

#### JOYSTICKS & HYDRAULIC PACKAGES

##### OC/CC - OPEN CENTER / CLOSED CENTER HYDRAULIC SYSTEMS

	Spool	1 Valve w/Handles and Mounting Kit	2 Valve w/Direct Joystick & Mtg.Kit	3 Valve with Remote Cable Joystick*	4 Precision Valve and Remote Joystick*	5 Precision Valve w/Level-UP** Pre-Assembled-Ready to Use	6 All Electronic Valve with Electronic Joystick*
<b>A</b>	2 OC/CC	728	838	1,311	1,401	1,680	N/A
<b>B</b>	3 OC/CC	876	980	1,745	1,951	2,550	N/A
<b>PFC - PRESSURE FLOW HYDRAULIC SYSTEMS</b>							
<b>C</b>	2 PFC	N/A	N/A	N/A	2,000	2,487	6,659
<b>D</b>	3 PFC	N/A	N/A	N/A	2,600	2,944	6,995

\*Includes Mounting Kit, Select Floor Mount or Fender Mount



#### BUCKET UPGRADES

BUCKETS	P/N	PRICE
72" Bucket	72Q214	INC
84" Bucket	84Q216	Add 89
<b>SKID STEER COMPATIBLE BUCKETS &amp; ADAPTERS</b>		
Adapter - adapts to skid steer attachment	C-30	Add 79
72" Skid Steer Bucket	72QS14	Add 89
84" Skid Steer Bucket	84QS16	Add 180
<b>SPECIALTY BUCKETS</b>		
High Vol. Low Density Bucket	96Q254	Add 659
Fork Bucket	FB-42	800
Tine Bucket	TB-38	1,250

#### ATTACHMENTS

HAY HANDLING	P/N	PRICE
Bucket Bale Spear	SP-22	350
2-Prong Bale Spear	SP-42	650
3-Prong Bale Spear	SP-43	600
4-Prong Bale Spear	SP-74	775
Stack Saver I	SS-I	750
Stack Saver II - 3	SS-II-3	800
Bale Handler	BH-15	4,250
Squeezer™	SQ-80	1,800

#### MATERIAL HANDLING

P/N	PRICE
Brush Crusher BC-5000	1,500
Brush Crusher BC-6000	2,000
Brush Crusher BC-8200	2,500
Bucket Teeth QT-72	650
Rake Teeth RK-40	170
Sabretooth GF-32	650
Jiffy Monster Grab Fork GF-20	1,250
42" Fork Lift FL-42	900
48" Fork Lift FL-48	950
Extendable Boom EB-34	1,000

#### ADDITIONAL ATTACHMENTS

P/N	PRICE
96" V-Plow VP-96	1,450
84" Dozer Blade DB-84	1,000
84" Dozer Blade w/Top Extension DB-84TC	1,750
96" Snow Scraper SBB-8	1,800
96" Snow Scraper w/Poly Blade SBB-8-P	2,280
- Top Extension for Snow Scraper SBB-TC	Add 750
Dual Changer Max for bucket DC-1	500
2'-6" Height Extension EXT-26	Add 1,200

#### ADAPTER OPTIONS

P/N	PRICE
Skid-Steer Adapters - Weld On C-78	125
Skid-Steer Adapters - Bolt On C-85	135
Snap-Att Adapters Weld on-Set (2) C-2	110
Snap-Att Adapters-Bolt on-Set (2) C-3	120
Snap-Attach Synchronizer QCS-200	75



Prices and Specifications may be subject to change without notice. Prices do not include shipping or setup.

# LOADERS



Prices Effective as of 1-21

## TA SERIES LOADERS

The **NEXT generation** -- **fully loaded**

This loader has all the same great features as the TA-26, but includes an updated, modern shape and styling over the entire loader. It features the Snap-Attach™, Hydra-Snap™ one lever multi-unit coupling system, rotational full-range bucket indicator and grease-from-the-end pins for easy maintenance.

**TA-26 PLUS**  
**BASE PACKAGE** ..... **\$7,493**

Footnotes found in Bracket Chart

### TA-26 Plus Base Package:

- 2-1/2" Bucket Cylinders
- 3" Lift Cylinders
- Hydraulic Power-Mount™
- Snap-Attach™
- Standard Bracket Set
- Hose Kit
- Hydra-Snap™ Manifold
- Rotational Level Indicator
- 72" Large Capacity Bucket (72Q214)

<b>LIFT CAPACITY</b>	2500 psi   3000 psi
31.5" from Pin	3000   3600
At Pivot Pin	4395   5275
<b>LIFT HEIGHT</b>	10' 5"   125"
<b>PKG WEIGHT</b>	1755#
<b>COLOR*</b>	Stone Black

\*Custom Paint Colors Available. Call for Pricing.

### FACTORY INSTALLED UPGRADES

Description	P/N		Price
Add-on Mech. Self-Leveling - Low Profile <i>Adds 20% more lift capacity (Reg. \$844)</i>	B	Add	656
<b>Bucket Options</b>			
- Back Drag Bucket	BD	Add	303
- Heavy Duty Bucket Teeth (set of 2)	BTB-390	Add	208
- Chain Hooks	CH	Add	50
- Grab Fork Hooks (Std Buckets)	GF	Add	80
Rotational Height Indicator	LAC-25	Add	60
Full Range Level Indicator	LAC-15		INC
Radiator Grill Guard	RG	Add	103
<b>3rd Steel Line mtd, w/couplers</b>			
- Steel Line	T	Add	180
- Steel Line w/hoses to tractor	T2	Add	289
- Steel Line w/hoses to manifold/tractor*	T3	Add	346
- Steel Line w/hoses to manifold/valve*	T4	Add	319

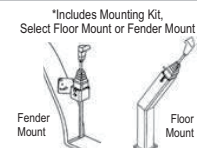
\* Requires a 3-spool manifold - see HYDRAULIC MANIFOLDS

### HYDRAULIC MANIFOLDS

Description	P/N		PRICE
<b>1-SPOOL MANIFOLDS</b> to quick-connect T-line to attachment			
- Standard Manifold			INC
- Flat Face Hydra-Snap™	MA-384		456
<b>2-SPOOL MANIFOLDS</b> to quick-connect loader to tractor			
- Hydra-Snap™ Manifold	MA-280	Add	INC
- Flat Face Hydra-Snap™ Manifold	MA-380	Add	512
<b>*3-SPOOL MANIFOLDS</b> to quick-connect loader to tractor			
- Hydra-Snap™ Manifold	MA-283	Add	128
- Flat Face Hydra-Snap™ Manifold	MA-383	Add	943
Level UP Advantage (Reg. \$922.00)	LV-UP	Add	500
Comfort Ride	CRS-750	Add	888

### JOYSTICKS & HYDRAULIC PACKAGES

OC/CC - OPEN CENTER / CLOSED CENTER HYDRAULIC SYSTEMS							
	Spool	1 Valve w/Handles and Mounting Kit	2 Valve w/Direct Joystick & Mtg Kit	3 Valve with Remote Cable Joystick*	4 Precision Valve and Remote Joystick*	5 Precision Valve w/Level-UP* Pre-Assembled-Ready to Use	6 All Electronic Valve with Electronic Joystick*
<b>A</b>	2 OC/CC	728	838	1,311	1,401	1,680	N/A
<b>B</b>	3 OC/CC	876	980	1,745	1,951	2,550	N/A
PFC - PRESSURE FLOW HYDRAULIC SYSTEMS							
<b>C</b>	2 PFC	N/A	N/A	N/A	2,000	2,487	6,659
<b>D</b>	3 PFC	N/A	N/A	N/A	2,600	2,944	6,995



### BUCKET UPGRADES

BUCKETS	P/N		PRICE
72" Bucket	72Q214		INC
84" Bucket	84Q216	Add	89
<b>SKID STEER COMPATIBLE BUCKETS &amp; ADAPTERS</b>			
Adapter - adapts to skid steer attachment	C-30	Add	79
72" Skid Steer Bucket	72QS14	Add	89
84" Skid Steer Bucket	84QS16	Add	180
<b>SPECIALTY BUCKETS</b>			
High Vol. Low Density Bucket	96Q254	Add	659
Fork Bucket	FB-42		800
Tine Bucket	TB-38		1,250

### ATTACHMENTS

HAY HANDLING	P/N		PRICE
Bucket Bale Spear	SP-22		350
2-Prong Bale Spear	SP-42		650
3-Prong Bale Spear	SP-43		600
4-Prong Bale Spear	SP-74		775
Stack Saver I	SS-I		750
Stack Saver II - 3	SS-II-3		800
Bale Handler	BH-15		4,250
Squeezer™	SQ-80		1,800

### MATERIAL HANDLING

	P/N		PRICE
Brush Crusher	BC-5000		1,500
Brush Crusher	BC-6000		2,000
Brush Crusher	BC-8200		2,500
Bucket Teeth	QT-72		650
Rake Teeth	RK-40		170
Sabretooth	GF-32		650
Jiffy Monster Grab Fork	GF-20		1,250
42" Fork Lift	FL-42		900
48" Fork Lift	FL-48		950
Extendable Boom	EB-34		1,000

### ADDITIONAL ATTACHMENTS

	P/N		PRICE
96" V-Plow	VP-96		1,450
84" Dozer Blade	DB-84		1,000
84" Dozer Blade w/Top Extension	DB-84TC		1,750
96" Snow Scraper	SBB-8		1,800
96" Snow Scraper w/Poly Blade	SBB-8-P		2,280
- Top Extension for Snow Scraper	SBB-*TC	Add	750
Dual Changer Max for bucket	DC-1		500

### ADAPTER OPTIONS

	P/N		PRICE
Skid-Steer Adapters - Weld On	C-78		125
Skid-Steer Adapters - Bolt On	C-85		135
Snap-Att Adapters Weld on-Set (2)	C-2		110
Snap-Att Adapters-Bolt on-Set (2)	C-3		120
Snap-Attach Synchronizer	QCS-200		75
2'-6" Height Extension		Add	1,200



Prices and Specifications may be subject to change without notice. Prices do not include shipping or setup.

# LOADERS



Prices Effective as of 1-21

## TA SERIES LOADERS

### More... lift height

The TA-26<sup>12</sup> is the same as the TA-26 Plus with the added lift height to 12'. This model also includes both rotational indicators to monitor bucket position and loader arm position from the ground to loader's full lift height. Ideal for those that need the extra height for handling hay.

# TA-26<sup>12</sup>

## BASE PACKAGE ..... \$8,324

Footnotes found in Bracket Chart

### TA-26<sup>12</sup> Base Package:

- 2-1/2" Bucket Cylinders
- 3" Lift Cylinders
- Hydraulic Power-Mount™
- Snap-Attach™
- Standard Bracket Set
- Hose Kit
- Hydra-Snap™ Manifold
- Rotational Level Indicator
- Rotational Height Indicator
- 72" Large Capacity Bucket (72Q214)

LIFT CAPACITY	2500 psi	3000 psi
31.5" from Pin	3200	3480
At Pivot Pin	4680	5615
LIFT HEIGHT	12'   144"	
PKG WEIGHT	1900#	
COLOR*	Stone Black	

\*Custom Paint Colors Available. Call for Pricing.

### FACTORY INSTALLED UPGRADES

Description	P/N	Price
Bucket Options		
- Back Drag Bucket	BD	Add 303
- Heavy Duty Bucket Teeth (set of 2)	BTB-390	Add 208
- Chain Hooks	CH	Add 50
- Grab Fork Hooks (Std Buckets)	GF	Add 80
Rotational Height Indicator	LAC-25	INC
Full Range Level Indicator	LAC-15	INC
Radiator Grill Guard	RG	Add 103
3rd Steel Line mtd, w/couplers		
- Steel Line	T	Add 180
- Steel Line w/hoses to tractor	T2	Add 289
- Steel Line w/hoses to manifold/tractor*	T3	Add 346
- Steel Line w/hoses to manifold/valve*	T4	Add 319

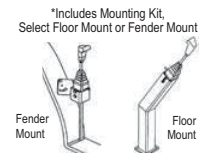
\* Requires a 3-spool manifold - see HYDRAULIC MANIFOLDS

### HYDRAULIC MANIFOLDS

Description	P/N	PRICE
<b>1-SPOOL MANIFOLDS</b> to quick-connect T-line to attachment		
- Standard Manifold		INC
- Flat Face Hydra-Snap™	MA-384	456
<b>2-SPOOL MANIFOLDS</b> to quick-connect loader to tractor		
- Hydra-Snap™ Manifold	MA-280	Add 217
- Flat Face Hydra-Snap™ Manifold	MA-380	Add 729
<b>*3-SPOOL MANIFOLDS</b> to quick-connect loader to tractor		
- Hydra-Snap™ Manifold	MA-283	Add 345
- Flat Face Hydra-Snap™ Manifold	MA-383	Add 1,160
Level UP Advantage (Reg. \$922.00)	LV-UP	Add 500
Comfort Ride	CRS-750	Add 888

### JOYSTICKS & HYDRAULIC PACKAGES

OC/CC - OPEN CENTER / CLOSED CENTER HYDRAULIC SYSTEMS						
Spool	1 Valve w/Handles and Mounting Kit	2 Valve w/Direct Joystick & Mtg.Kit	3 Valve with Remote Cable Joystick*	4 Precision Valve and Remote Joystick*	5 Precision Valve w/Level-UP* Pre-Assembled-Ready to Use	6 All Electronic Valve with Electronic Joystick*
<b>A</b>	2 OC/CC	728	838	1,311	1,401	1,680
<b>B</b>	3 OC/CC	876	980	1,745	1,951	2,550
PFC - PRESSURE FLOW HYDRAULIC SYSTEMS						
<b>C</b>	2 PFC	N/A	N/A	N/A	2,000	2,487
<b>D</b>	3 PFC	N/A	N/A	N/A	2,600	2,944



### BUCKET UPGRADES

BUCKETS	P/N	PRICE
72" Bucket	72Q214	INC
84" Bucket	84Q216	Add 89

### SKID STEER COMPATIBLE BUCKETS & ADAPTERS

Adapter - adapts to skid steer attachment	C-30	Add 79
72" Skid Steer Bucket	72QS14	Add 89
84" Skid Steer Bucket	84QS16	Add 180

### SPECIALTY BUCKETS

High Vol. Low Density Bucket	96Q254	Add 659
Fork Bucket	FB-42	800
Tine Bucket	TB-38	1,250

### ATTACHMENTS

HAY HANDLING	P/N	PRICE
Bucket Bale Spear	SP-22	350
2-Prong Bale Spear	SP-42	650
3-Prong Bale Spear	SP-43	600
4-Prong Bale Spear	SP-74	775
Stack Saver I	SS-I	750
Stack Saver II - 3	SS-II-3	800
Bale Handler	BH-15	4,250
Squeezer™	SQ-80	1,800

MATERIAL HANDLING	P/N	PRICE
Brush Crusher	BC-5000	1,500
Brush Crusher	BC-6000	2,000
Brush Crusher	BC-8200	2,500
Bucket Teeth	QT-72	650
Rake Teeth	RK-40	170
Sabretooth	GF-32	650
Jiffy Monster Grab Fork	GF-20	1,250
42" Fork Lift	FL-42	900
48" Fork Lift	FL-48	950
Extendable Boom	EB-34	1,000

ADDITIONAL ATTACHMENTS	P/N	PRICE
96" V-Plow	VP-96	1,450
84" Dozer Blade	DB-84	1,000
84" Dozer Blade w/Top Extension	DB-84TC	1,750
96" Snow Scraper	SBB-8	1,800
96" Snow Scraper w/Poly Blade	SBB-8-P	2,280
- Top Extension for Snow Scraper	SBB-*TC	Add 750
Dual Changer Max for bucket	DC-1	500

ADAPTER OPTIONS	P/N	PRICE
Skid-Steer Adapters - Weld On	C-78	125
Skid-Steer Adapters - Bolt On	C-85	135
Snap-Att Adapters Weld on-Set (2)	C-2	110
Snap-Att Adapters-Bolt on-Set (2)	C-3	120
Snap-Attach Synchronizer	QCS-200	75



Prices and Specifications may be subject to change without notice. Prices do not include shipping or setup.



# LOADERS

Prices Effective as of 1-21



## TA SERIES LOADERS

### The premiere hay loader

up to 160 HP up to 120  
2WD 4WD

The TA-28 is the proven loader built for front-wheel assist tractors. This mid-sized loader has a great profile and is an excellent hay loader with a lift height of 13'4" at a competitive price. It comes standard with a big 84" bucket that people really like. It is an ideal loader for the person coming from a WL-42 loader on a 2 wheel drive tractor upgrading to a 4 wheel drive tractor.

## TA-28

BASE PACKAGE ..... **\$9,074**

Footnotes found in Bracket Chart

#### TA-28 Base Package:

- 2-1/2" Bucket Cylinders
- 3" Lift Cylinders
- Hydraulic Power-Mount™
- Snap-Attach™
- Standard Bracket Set
- Hose Kit
- MA-40 Hydraulic Manifold
- Bucket Gauge Rod
- 84" Bucket (84Q216)

LIFT CAPACITY	2500 psi	3000 psi
31.5" from Pin	4255	5106
At Pivot Pin	6230	7475
LIFT HEIGHT	13' 4"	160"
PKG WEIGHT	2128#	
COLOR*	Stone Black	

\*Custom Paint Colors Available. Call for Pricing.

#### FACTORY INSTALLED UPGRADES

Description	P/N	Add	Price
Bucket Cylinder Upgrade	C	Add	299
Bucket Options			
- Back Drag Bucket	BD	Add	303
- Heavy Duty Bucket Teeth (set of 2)	BTB-390	Add	208
- Chain Hooks	CH	Add	50
- Grab Fork Hooks (Std Buckets)	GF	Add	80
- Grab Fork Hooks (HDHC Buckets)	GF	Add	150
Rotational Height Indicator	LAC-25	Add	60
Full Range Level Indicator	LAC-15	Add	29
Radiator Grill Guard	RG	Add	103
3rd Steel Line mtd, w/couplers			
- Steel Line	T	Add	180
- Steel Line w/hoses to tractor	T2	Add	289
- Steel Line w/hoses to manifold/tractor*	T3	Add	346
- Steel Line w/hoses to manifold/valve*	T4	Add	319

\* Requires a 3-spool manifold - see HYDRAULIC MANIFOLDS

#### HYDRAULIC MANIFOLDS

Description	P/N	Add	Price
<b>1-SPOOL MANIFOLDS</b> to quick-connect T-line to attachment			
- Standard Manifold			INC
- Flat Face Hydra-Snap™	MA-384		456
<b>2-SPOOL MANIFOLDS</b> to quick-connect loader to tractor			
- Standard Manifold	MA-40		INC
- Under Pressure Manifold	MA-80	Add	88
- Hydra-Snap™ Manifold	MA-280	Add	217
- Flat Face Hydra-Snap™ Manifold	MA-380	Add	729
<b>3-SPOOL MANIFOLDS</b> to quick-connect loader to tractor			
- Standard Manifold	MA-43	Add	57
- Under Pressure Manifold	MA-83	Add	141
- Hydra-Snap™ Manifold	MA-283	Add	345
- Flat Face Hydra-Snap™ Manifold	MA-383	Add	1,160
Level UP Advantage (Reg. \$922.00)	LV-UP	Add	500
Comfort Ride	CRS-750	Add	888

#### BUCKET UPGRADES

BUCKETS	P/N	PRICE
84" Bucket	84Q216	INC
84" Large Capacity Bucket	84Q225	Add 104
90" Large Capacity Bucket	90Q225	Add 168

#### SKID STEER COMPATIBLE BUCKETS & ADAPTERS

Adapter - adapts to skid steer attachment	C-31	Add	79
84" Skid Steer Bucket	84QS16	Add	91
84" Lg. Cap. Skid Steer Bucket	84QS25	Add	258
90" Lg. Cap. Skid Steer Bucket	90QS25	Add	260

#### HDHC= HEAVY DUTY HIGH CAPACITY BUCKETS

84" HDHC Double Weld-On Blade	84Q231W	Add	476
84" HDHC Bolt-On Blade	84Q231B	Add	643

#### SPECIALTY BUCKETS

High Vol. Low Density Bucket	96Q254	Add	570
Z-47 Feeder Bucket	Z-47	Add	2,673
Fork Bucket	FB-42		800
Tine Bucket	TB-38		1,250

#### ATTACHMENTS

HAY HANDLING	P/N	PRICE
2-Prong Bale Spear	SP-42	650
3-Prong Bale Spear	SP-43	600
4-Prong Bale Spear	SP-74	775
Stack Saver I	SS-I	750
Stack Saver II - 3	SS-II-3	800
Bale Handler	BH-15	4,250
Squeezer™	SQ-80	1,800

#### MATERIAL HANDLING

	P/N	PRICE
Brush Crusher	BC-5000	1,500
Brush Crusher	BC-6000	2,000
Brush Crusher	BC-8200	2,500
72" Bucket Teeth	QT-72	650
84" Bucket Teeth 84" & 96" BUCKETS	BT-84	650
Rake Teeth	RK-40	170
42" Fork Lift	FL-42	900
48" Fork Lift	FL-48	950
Extendable Boom	EB-34	1,000
Sabretooth	GF-32	650
Jiffy Monster Grab Fork	GF-20	1,250
Monster Grab Fork**	GF-28	1,750
Quick Mount Claw**	GF-64	2,200
Cat Claw 3-D Grab Fork*	GF-184-3D	2,750
84" Cat Claw 3-D Grab Fork**	GF-84-3D	2,750

\* Fits Freedom Mount, HDHC and HD Custom Contour Buckets

\*\* Requires Large Capacity Bucket Upgrade

#### ADDITIONAL ATTACHMENTS

	P/N	PRICE
96" V-Plow	VP-96	1,450
84" Dozer Blade	DB-84	1,000
84" Dozer Blade w/Top Extension	DB-84TC	1,750
96" Snow Scraper	SBB-8	1,800
96" Snow Scraper w/Poly Blade	SBB-8-P	2,280
- Top Extension for Snow Scraper	SBB-*TC	Add 750
Dual Changer Max for bucket	DC-1	500

#### ADAPTER OPTIONS

	P/N	PRICE
Skid-Steer Adapters - Weld On	C-78	125
Skid-Steer Adapters - Bolt On	C-85	135
Snap-Att Adapters Weld on-Set (2)	C-2	110
Snap-Att Adapters-Bolt on-Set (2)	C-3	120
Snap-Attach Synchronizer	QCS-200	75



Prices and Specifications may be subject to change without notice. Prices do not include shipping or setup.

# LOADERS

Prices Effective as of 1-21

## TA SERIES LOADERS



### Streamlined fit for powerful 4WD tractors

The TA-28 Plus provides more features with a strong, clean profile and fit. Developed for the demanding everyday heavy user, the reinforced arms ensure strength to match the larger HP tractors. Case hardened, high-wear 1-1/4" pins have grease relief bushings for superior wear and zerks on the ends for easy maintenance. Low-profile fit ensures clear sightlines for safer operation.

**TA-28** *plus*  
**BASE PACKAGE** ..... **\$9,622**

Footnotes found in Bracket Chart

#### TA-28 Plus Base Package:

- 3" Bucket Cylinders
- 3" Lift Cylinders
- Hydraulic Power-Mount™
- Snap-Attach™
- Standard Bracket Set
- Hose Kit
- MA-40 Hydraulic Manifold
- Bucket Gauge Rod
- 84" Bucket (84Q216)

<b>LIFT CAPACITY</b>	2500 psi   3000 psi
31.5" from Pin	4255   5100
At Pivot Pin	6230   7476
<b>LIFT HEIGHT</b>	13' 4"   160"
<b>PKG WEIGHT</b>	2160#
<b>COLOR*</b>	Stone Black

\*Custom Paint Colors Available. Call for Pricing.

#### FACTORY INSTALLED UPGRADES

Description	P/N	Price
<b>Bucket Options</b>		
- Back Drag Bucket	BD	Add 303
- Heavy Duty Bucket Teeth (set of 2)	BTB-390	Add 208
- Chain Hooks	CH	Add 50
- Grab Fork Hooks (Std Buckets)	GF	Add 80
- Grab Fork Hooks (HDHC Buckets)	GF	Add 150
<b>Rotational Height Indicator</b>	LAC-25	Add 60
<b>Full Range Level Indicator</b>	LAC-15	Add 29
<b>Radiator Grill Guard</b>	RG	Add 103
<b>3rd Steel Line mtd, w/couplers</b>		
- Steel Line	T	Add 180
- Steel Line w/hoses to tractor	T2	Add 289
- Steel Line w/hoses to manifold/tractor*	T3	Add 346
- Steel Line w/hoses to manifold/valve*	T4	Add 319

\* Requires a 3-spool manifold - see HYDRAULIC MANIFOLDS

#### HYDRAULIC MANIFOLDS

Description	P/N	PRICE
<b>1-SPOOL MANIFOLDS</b> to quick-connect T-line to attachment		
- Standard Manifold		INC
- Flat Face Hydra-Snap™	MA-384	456
<b>2-SPOOL MANIFOLDS</b> to quick-connect loader to tractor		
- Standard Manifold	MA-40	INC
- Under Pressure Manifold	MA-80	Add 88
- Hydra-Snap™ Manifold	MA-280	Add 217
- Flat Face Hydra-Snap™ Manifold	MA-380	Add 729
<b>*3-SPOOL MANIFOLDS</b> to quick-connect loader to tractor		
- Standard Manifold	MA-43	Add 57
- Under Pressure Manifold	MA-83	Add 141
- Hydra-Snap™ Manifold	MA-283	Add 345
- Flat Face Hydra-Snap™ Manifold	MA-383	Add 1,160
Level UP Advantage (Reg. \$922.00)	LV-UP	Add 500
Comfort Ride	CRS-750	Add 888

#### BUCKET UPGRADES

BUCKETS	P/N	PRICE
84" Bucket	84Q216	INC
84" Large Capacity Bucket	84Q225	Add 104
90" Large Capacity Bucket	90Q225	Add 168
96" Large Capacity Bucket	96Q229	Add 239

#### SKID STEER COMPATIBLE BUCKETS & ADAPTERS

Adapter - adapts to skid steer attachment	C-30	Add 79
84" Skid Steer Bucket	84QS16	Add 91
84" Lg. Cap. Skid Steer Bucket	84QS25	Add 258
90" Lg. Cap. Skid Steer Bucket	90QS25	Add 260
96" Lg. Cap. Skid Steer Bucket	96QS29	Add 329

#### HDHC= HEAVY DUTY HIGH CAPACITY BUCKETS

84" HDHC Double Weld-On Blade	84Q231W	Add 476
84" HDHC Bolt-On Blade	84Q231B	Add 643

#### SPECIALTY BUCKETS

High Vol. Low Density Bucket	96Q254	Add 570
Z-47 Feeder Bucket	Z-47	Add 2,673
Fork Bucket	FB-42	800
Tine Bucket	TB-38	1,250

#### ATTACHMENTS

HAY HANDLING	P/N	PRICE
2-Prong Bale Spear	SP-42	650
3-Prong Bale Spear	SP-43	600
4-Prong Bale Spear	SP-74	775
Stack Saver I	SS-1	750
Stack Saver II - 3	SS-II-3	800
Bale Handler	BH-15	4,250
Squeezer™	SQ-80	1,800

#### MATERIAL HANDLING

P/N	PRICE
72" Bucket Teeth	QT-72 650
84" Bucket Teeth 84" & 96" BUCKETS	BT-84 650
Rake Teeth	RK-40 170
42" Fork Lift	FL-42 900
48" Fork Lift	FL-48 950
Extendable Boom	EB-34 1,000
Brush Crusher™	BC-5000 1,500
Brush Crusher™	BC-6000 2,000
Brush Crusher	BC-8200 2,500
Sabretooth	GF-32 650
Jifty Monster Grab Fork	GF-20 1,250
Monster Grab Fork**	GF-28 1,750
Quick Mount Claw**	GF-64 2,200
84" Cat Claw 3-D Grab Fork*	GF-184-3D 2,750
84" Cat Claw 3-D Grab Fork**	GF-84-3D 2,750
96" Cat Claw 3-D Grab Fork**	GF-96-3D 3,000

\* Fits Freedom Mount, HDHC and HD Custom Contour Buckets

\*\* Requires Large Capacity STANDARD Bucket

#### ADDITIONAL ATTACHMENTS

P/N	PRICE
96" V-Plow	VP-96 1,450
84" Dozer Blade	DB-84 1,000
96" Dozer Blade	DB-96 1,250
- Top Extension for Dozer Blade	DB-*TC Add 750
96" Snow Scraper	SBB-8 1,800
96" Snow Scraper w/Poly Blade	SBB-8-P 2,280
120" Snow Scraper	SBB-10 2,000
120" Snow Scraper w/Poly Blade	SBB-10-P 2,600
- Top Extension for Snow Scraper	SBB-*TC Add 750
Dual Changer Max for bucket	DC-1 500

#### ADAPTER OPTIONS

P/N	PRICE
Skid-Steer Adapters - Weld On	C-78 125
Skid-Steer Adapters - Bolt On	C-85 135
Snap-Att Adapters Weld on-Set (2)	C-2 110
Snap-Att Adapters-Bolt on-Set (2)	C-3 120
Snap-Attach Synchronizer	QCS-200 75



Prices and Specifications may be subject to change without notice. Prices do not include shipping or setup.

# LOADERS



Prices Effective as of 1-21

## TA SERIES LOADERS

### The best of both worlds

up to 165 HP up to 135  
2WD 4WD

You can do almost anything you want with this loader. Whatever you can break out at the bottom, you can lift all the way to the top. The heavy-duty 3" lift cylinders allow the loader to lift a 5000 pound payload from the ground to over 13 feet in one fluid motion. This amazing loader has true mechanical self-leveling BOTH up and down, yet an amazingly low-profile fit for increased visibility.

## TA-29

BASE PACKAGE..... **\$9,982**

Footnotes found in Bracket Chart

#### TA-29 Base package:

- 3" Bucket Cylinders
- 3" Lift Cylinders
- Hydraulic Power-Mount™
- Snap-Attach™
- Mechanical Self-Leveling
- Standard Bracket Set
- Hose Kit
- MA-40 Hydraulic Manifold
- Bucket Gauge Rod
- 84" Bucket (84Q216)

LIFT CAPACITY	2500 psi	3000 psi
31.5" from Pin	5000	6000
At Pivot Pin	7325	8790
LIFT HEIGHT	13' 2"	158"
PKG WEIGHT	2160#	
COLOR*	Stone Black	

\*Custom Paint Colors Available. Call for Pricing.

#### FACTORY INSTALLED UPGRADES

Description	P/N	Price
Mechanical Self-Leveling Low Profile		<b>INC</b>
Bucket Options		
- Back Drag Bucket	BD	Add 303
- Heavy Duty Bucket Teeth (set of 2)	BTB-390	Add 208
- Chain Hooks	CH	Add 50
- Grab Fork Hooks (Std Buckets)	GF	Add 80
- Grab Fork Hooks (HDHC Buckets)	GF	Add 150
Rotational Height Indicator	LAC-25	Add 60
Full Range Level Indicator	LAC-15	Add 29
Radiator Grill Guard	RG	Add 103
3rd Steel Line mtd, w/couplers		
- Steel Line	T	Add 180
- Steel Line w/hoses to tractor	T2	Add 289
- Steel Line w/hoses to manifold/tractor*	T3	Add 346
- Steel Line w/hoses to manifold/valve*	T4	Add 319

\* Requires a 3-spool manifold - see HYDRAULIC MANIFOLDS

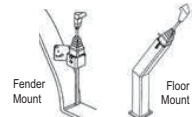
#### HYDRAULIC MANIFOLDS

Description	P/N	PRICE
<b>1-SPOOL MANIFOLDS</b> to quick-connect T-line to attachment		
- Standard Manifold		<b>INC</b>
- Flat Face Hydra-Snap™	MA-384	456
<b>2-SPOOL MANIFOLDS</b> to quick-connect loader to tractor		
- Standard Manifold	MA-40	<b>INC</b>
- Under Pressure Manifold	MA-80	Add 88
- Hydra-Snap™ Manifold	MA-280	Add 217
- Flat Face Hydra-Snap™ Manifold	MA-380	Add 729
<b>*3-SPOOL MANIFOLDS</b> to quick-connect loader to tractor		
- Standard Manifold	MA-43	Add 57
- Under Pressure Manifold	MA-83	Add 141
- Hydra-Snap™ Manifold	MA-283	Add 345
- Flat Face Hydra-Snap™ Manifold	MA-383	Add 1,160
Comfort Ride	CRS-750	Add 888

#### JOYSTICKS & HYDRAULIC PACKAGES

OC/CC - OPEN CENTER / CLOSED CENTER HYDRAULIC SYSTEMS						
	1	2	3	4	5	6
Spool	Valve w/Handles and Mounting Kit	Valve w/Direct Joystick & Mtg Kit	Valve with Remote Cable Joystick*	Precision Valve and Remote Joystick*	Precision Valve w/Level-UP* Electronic Joystick to Use	All Electronic Valve with Electronic Joystick*
<b>A</b>	2 OC/CC	728	838	1,311	1,401	1,680
<b>B</b>	3 OC/CC	876	980	1,745	1,951	2,550
PFC - PRESSURE FLOW HYDRAULIC SYSTEMS						
<b>C</b>	2 PFC	N/A	N/A	N/A	2,000	2,487
<b>D</b>	3 PFC	N/A	N/A	N/A	2,600	2,944

\*Includes Mounting Kit, Select Floor Mount or Fender Mount



#### BUCKET UPGRADES

BUCKETS	P/N	PRICE
84" Bucket	84Q216	<b>INC</b>
84" Large Capacity Bucket	84Q225	Add 104
90" Large Capacity Bucket	90Q225	Add 168
96" Large Capacity Bucket	96Q229	Add 239
SKID STEER COMPATIBLE BUCKETS & ADAPTERS		
Adapter - adapts to skid steer attachment	C-30	Add 79
84" Skid Steer Bucket	84QS16	Add 91
84" Lg. Cap. Skid Steer Bucket	84QS25	Add 258
90" Lg. Cap. Skid Steer Bucket	90QS25	Add 260
96" Lg. Cap. Skid Steer Bucket	96QS29	Add 329
HDHC= HEAVY DUTY HIGH CAPACITY BUCKETS		
84" HDHC Double Weld-On Blade	84Q231W	Add 476
84" HDHC Bolt-On Blade	84Q231B	Add 643
96" HDHC Double Weld-On Blade	96Q235W	Add 679
96" HDHC Bolt-On Blade	96Q235B	Add 941
SPECIALTY BUCKETS		
High Vol. Low Density Bucket	96Q254	Add 570
Z-47 Feeder Bucket	Z-47	Add 2,673
Feed Bunk Bucket	FBB-112	Add 451
Fork Bucket	FB-42	800
Tine Bucket	TB-38	1,250

#### ATTACHMENTS

HAY HANDLING	P/N	PRICE
2-Prong Bale Spear	SP-42	650
3-Prong Bale Spear	SP-43	600
4-Prong Bale Spear	SP-74	775
Stack Saver I	SS-I	750
Stack Saver II - 3	SS-II-3	800
Bale Handler	BH-15	4,250
Squeezer™	SQ-80	1,800

#### MATERIAL HANDLING

	P/N	PRICE
Brush Crusher	BC-5000	1,500
Brush Crusher	BC-6000	2,000
Brush Crusher	BC-8200	2,500
72" Bucket Teeth	QT-72	650
84" Bucket Teeth 84" & 96" BUCKETS	BT-84	650
Rake Teeth	RK-40	170
42" Fork Lift	FL-42	900
48" Fork Lift	FL-48	950
Extendable Boom	EB-34	1,000
Sabretooth	GF-32	650
Jiffy Monster Grab Fork	GF-20	1,250
Monster Grab Fork**	GF-28	1,750
Quick Mount Claw**	GF-64	2,200
84" Cat Claw 3-D Grab Fork*	GF-184-3D	2,750
96" Cat Claw 3-D Grab Fork*	GF-196-3D	3,000
84" Cat Claw 3-D Grab Fork**	GF-84-3D	2,750
96" Cat Claw 3-D Grab Fork**	GF-96-3D	3,000

\* For Freedom Mount, HDHC and HD Custom Contour Buckets

\*\* Requires Large Capacity STANDARD Bucket

#### ADDITIONAL ATTACHMENTS

	P/N	PRICE
96" V-Plow	VP-96	1,450
84" Dozer Blade	DB-84	1,000
96" Dozer Blade	DB-96	1,250
- Top Extension for Dozer Blade	DB-TC	Add 750
96" Snow Scraper	SBB-8	1,800
96" Snow Scraper w/Poly Blade	SBB-8-P	2,280
120" Snow Scraper	SBB-10	2,000
120" Snow Scraper w/Poly Blade	SBB-10-P	2,600
- Top Extension for Snow Scraper	SBB-TC	Add 750
Dual Changer Max for bucket	DC-1	500

#### ADAPTER OPTIONS

	P/N	PRICE
Skid-Steer Adapters - Weld On	C-78	125
Skid-Steer Adapters - Bolt On	C-85	135
Snap-Att Adapters Weld on-Set (2)	C-2	110
Snap-Att Adapters-Bolt on-Set (2)	C-3	120
Snap-Attach Synchronizer	QCS-200	75



Prices and Specifications may be subject to change without notice. Prices do not include shipping or setup.

# LOADERS



Prices Effective as of 1-21

## TA SERIES LOADERS

The TA-45 is up to 160 HP up to 130 HP  
a TA-28 on steroids 2WD 4WD

The TA-45 loader is an upscale TA-28. Introduced to fit the 20 series tractors with a 40 series attachment spacing. It's great for the user who has a WL-42 and upgrades to a 4WD tractor. It's a good feedlot loader with a big lift capacity. Other features include power-linkage, smooth low-profile design and 3" bucket cylinders. It's a great candidate for narrower hooded tractors.

# TA-45

## BASE PACKAGE

# \$9,754

Footnotes found in Bracket Chart

### TA-45 Base Package:

- 3" Bucket Cylinders
- 3" Lift Cylinders
- Hydraulic Power-Mount™
- Snap-Attach™
- Standard Bracket Set
- Hose Kit
- MA-40 Hydraulic Manifold
- Bucket Gauge Rod
- 84" Lg Cap Bucket (84Q425)

LIFT CAPACITY	2500 psi	3000 psi
31.5" from Pin	4255	5100
At Pivot Pin	6230	7475
LIFT HEIGHT	13' 4"	160"
PKG WEIGHT	2173#	
COLOR*	Stone Black	

\*Custom Paint Colors Available. Call for Pricing.

### FACTORY INSTALLED UPGRADES

Description	P/N	Price
<b>Bucket Options</b>		
- Back Drag Bucket	BD	Add 303
- Heavy Duty Bucket Teeth (set of 2)	BTB-390	Add 208
- Chain Hooks	CH	Add 50
- Grab Fork Hooks (Std Buckets)	GF	Add 80
- Grab Fork Hooks (HDHC Buckets)	GF	Add 150
Rotational Height Indicator	LAC-25	Add 60
Full Range Level Indicator	LAC-15	Add 29
Radiator Grill Guard	RG	Add 103
<b>3rd Steel Line mtd, w/couplers</b>		
- Steel Line	T	Add 180
- Steel Line w/hoses to tractor	T2	Add 289
- Steel Line w/hoses to manifold/tractor*	T3	Add 346
- Steel Line w/hoses to manifold/valve*	T4	Add 319

\* Requires a 3-spool manifold - see HYDRAULIC MANIFOLDS

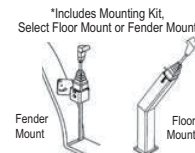
### HYDRAULIC MANIFOLDS

Description	P/N	PRICE
<b>1-SPOOL MANIFOLDS</b> to quick-connect T-line to attachment		
- Standard Manifold		INC
- Flat Face Hydra-Snap™	MA-384	456
<b>2-SPOOL MANIFOLDS</b> to quick-connect loader to tractor		
- Standard Manifold	MA-40	INC
- Under Pressure Manifold	MA-80	Add 88
- Hydra-Snap™ Manifold	MA-280	Add 217
- Flat Face Hydra-Snap™ Manifold	MA-380	Add 729
<b>*3-SPOOL MANIFOLDS</b> to quick-connect loader to tractor		
- Standard Manifold	MA-43	Add 57
- Under Pressure Manifold	MA-83	Add 141
- Hydra-Snap™ Manifold	MA-283	Add 345
- Flat Face Hydra-Snap™ Manifold	MA-383	Add 1,160
Level UP Advantage (Reg. \$922.00)	LV-UP	Add 500
Comfort Ride	CRS-750	Add 888

### JOYSTICKS & HYDRAULIC PACKAGES

#### OC/CC - OPEN CENTER / CLOSED CENTER HYDRAULIC SYSTEMS

	1	2	3	4	5	6
Spool	Valve w/Handles and Mounting Kit	Valve w/Direct Joystick & Mtg Kit	Valve with Remote Cable Joystick*	Precision Valve and Remote Joystick*	Precision Valve w/Level-UP Pre-Assembled-Ready to Use	All Electronic Valve with Electronic Joystick*
<b>A</b>	2 OC/CC	728	838	1,311	1,401	1,680
<b>B</b>	3 OC/CC	876	980	1,745	1,951	2,550
<b>PFC - PRESSURE FLOW HYDRAULIC SYSTEMS</b>						
<b>C</b>	2 PFC	N/A	N/A	N/A	2,000	2,487
<b>D</b>	3 PFC	N/A	N/A	N/A	2,600	2,944
						6,659
						6,995



### BUCKET UPGRADES

BUCKETS	P/N	PRICE
84" Large Capacity Bucket	84Q425	INC
90" Large Capacity Bucket	90Q425	Add 64
96" Large Capacity Bucket	96Q429	Add 135
<b>HDHC= HEAVY DUTY HIGH CAPACITY BUCKETS</b>		
84" HDHC Double Weld-On Blade	84Q431W	Add 372
84" HDHC Bolt-On Blade	84Q431B	Add 539
96" HDHC Double Weld-On Blade	96Q435W	Add 575
96" HDHC Bolt-On Blade	96Q435B	Add 837
<b>SPECIALTY BUCKETS</b>		
High Vol. Low Density Bucket	96Q454	Add 466
Z-47 Feeder Bucket	Z-47	Add 2,569
Feed Bunk Bucket	FBB-112	Add 347
Fork Bucket	FB-42	800
Tine Bucket	TB-38	1,250

### ATTACHMENTS

HAY HANDLING	P/N	PRICE
2-Prong Bale Spear	SP-42	650
3-Prong Bale Spear	SP-43	600
4-Prong Bale Spear	SP-74	775
4-Tine Double Bale Spear	SP-2B	1,200
Stack Saver I	SS-I	750
Stack Saver II - 3	SS-II-3	800
Bale Handler	BH-15	4,250
Squeezer™	SQ-80	1,800

### MATERIAL HANDLING

	P/N	PRICE
Brush Crusher	BC-5000	1,500
Brush Crusher	BC-6000	2,000
Brush Crusher	BC-8200	2,500
84" Bucket Teeth 84" & 96" BUCKETS	BT-84	650
Rake Teeth	RK-40	170
42" Fork Lift	FL-42	900
48" Fork Lift	FL-48	950
Extendable Boom	EB-34	1,000
Sabretooth	GF-32	650
Monster Grab Fork Straight Teeth	GF-51	1,500
Monster Grab Fork Curved Teeth	GF-52	1,800
Quick Mount Claw Grab Fork	GF-64	2,200
84" Cat Claw 3-D Grab Fork*	GF-184-3D	2,750
96" Cat Claw 3-D Grab Fork*	GF-196-3D	3,000
84" Cat Claw 3-D Grab Fork	GF-84-3D	2,750
96" Cat Claw 3-D Grab Fork	GF-96-3D	3,000

\* For Freedom Mount, HDHC and HD Custom Contour Buckets

### ADDITIONAL ATTACHMENTS

	P/N	PRICE
96" V-Plow	VP-96	1,450
84" Dozer Blade	DB-84	1,000
96" Dozer Blade	DB-96	1,250
- Top Extension for Dozer Blade	DB-*TC	Add 750
96" Snow Scraper	SBB-8	1,800
96" Snow Scraper w/Poly Blade	SBB-8-P	2,280
120" Snow Scraper	SBB-10	2,000
120" Snow Scraper w/Poly Blade	SBB-10-P	2,600
- Top Extension for Snow Scraper	SBB-*TC	Add 750
Dual Changer Max for bucket	DC-1	500

### ADAPTER OPTIONS

	P/N	PRICE
Snap-Att Adapters Weld on-Set (2)	C-2	110
Snap-Att Adapters-Bolt on-Set (2)	C-3	120
Snap-Attach Synchronizer	QCS-400	86



# LOADERS



Prices Effective as of 1-21

## TA SERIES LOADERS

### The TA-26's big brother

up to 190 HP up to 165  
2WD 4WD

The TA-46 is ideal for the heavy-duty cattle producer. It has longer arms to get over the front tires to allow excellent digging depths. It is ideal for bigger tractors with bigger tires. It maintains a low-profile even with the mechanical self-leveling upgrade.

## TA-46

BASE PACKAGE ..... **\$11,122**

Footnotes found in Bracket Chart

#### TA-46 Base Package:

- 3" Bucket & Lift Cylinders
- Hydraulic Power-Mount™
- Snap-Attach™
- Standard Bracket Set
- Hose Kit
- MA-40 Manifold
- Bucket Gauge Rod
- 84" Lg Cap Bucket (84Q425)

LIFT CAPACITY	2500 psi	3000 psi
31.5" from Pin	4300	5100
At Pivot Pin	6300	7560
LIFT HEIGHT	13' 10"   166"	
PKG WEIGHT	2511#	
COLOR*	Stone Black	

\*Custom Paint Colors Available. Call for Pricing.

#### FACTORY INSTALLED UPGRADES

Description	P/N	Price
Add-on Mech. Self-Leveling (Reg \$1119)	B	Add 675
<i>Adds 20% more lift capacity</i>		
Lift Cylinder Upgrade	E	Add 346
<b>Bucket Options</b>		
- Back Drag Bucket	BD	Add 303
- Heavy Duty Bucket Teeth (set of 2)	BTB-390	Add 208
- Chain Hooks	CH	Add 50
- Grab Fork Hooks (Std Buckets)	GF	Add 80
- Grab Fork Hooks (HDHC Buckets)	GF	Add 150
Rotational Height Indicator	LAC-25	Add 60
Full Range Level Indicator	LAC-15	Add 29
Radiator Grill Guard	RG	Add 103
3rd Steel Line mtd, w/couplers		
- Steel Line	T	Add 180
- Steel Line w/hoses to tractor	T2	Add 289
- Steel Line w/hoses to manifold/tractor*	T3	Add 346
- Steel Line w/hoses to manifold/valve*	T4	Add 319

\* Requires a 3-spool manifold - see HYDRAULIC MANIFOLDS

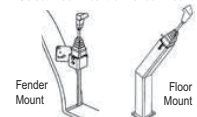
#### HYDRAULIC MANIFOLDS

Description	P/N	PRICE
<b>1-SPOOL MANIFOLDS</b> to quick-connect T-line to attachment		
- Standard Manifold		INC
- Flat Face Hydra-Snap™	MA-384	456
<b>2-SPOOL MANIFOLDS</b> to quick-connect loader to tractor		
- Standard Manifold	MA-40	INC
- Under Pressure Manifold	MA-80	Add 88
- Hydra-Snap™ Manifold	MA-280	Add 217
- Flat Face Hydra-Snap™ Manifold	MA-380	Add 729
<b>*3-SPOOL MANIFOLDS</b> to quick-connect loader to tractor		
- Standard Manifold	MA-43	Add 57
- Under Pressure Manifold	MA-83	Add 141
- Hydra-Snap™ Manifold	MA-283	Add 345
- Flat Face Hydra-Snap™ Manifold	MA-383	Add 1,160
Level UP Advantage (Reg. \$922.00)	LV-UP	Add 500
Comfort Ride	CRS-750	Add 888

#### JOYSTICKS & HYDRAULIC PACKAGES

OC/CC - OPEN CENTER / CLOSED CENTER HYDRAULIC SYSTEMS							
Spool	1	2	3	4	5	6	
A	2 OC/CC	728	838	1,311	1,401	1,680	N/A
B	3 OC/CC	876	980	1,745	1,951	2,550	N/A
PFC - PRESSURE FLOW HYDRAULIC SYSTEMS							
C	2 PFC	N/A	N/A	N/A	2,000	2,487	6,659
D	3 PFC	N/A	N/A	N/A	2,600	2,944	6,995

\*Includes Mounting Kit, Select Floor Mount or Fender Mount



### TA-46A Loader has special tower. Order when called for in the Bracket Chart. Same price as TA-46.

#### BUCKET UPGRADES

BUCKETS	P/N	PRICE
84" Large Capacity Bucket	84Q425	INC
90" Large Capacity Bucket	90Q425	Add 64
96" Large Capacity Bucket	96Q429	Add 135

#### HDHC= HEAVY DUTY HIGH CAPACITY BUCKETS

84" HDHC Double Weld-On Blade	84Q431W	Add 372
84" HDHC Bolt-On Blade	84Q431B	Add 539
96" HDHC Double Weld-On Blade	96Q435W	Add 575
96" HDHC Bolt-On Blade	96Q435B	Add 837

#### SPECIALTY BUCKETS

High Vol. Low Density Bucket	96Q454	Add 466
Z-47 Feeder Bucket	Z-47	Add 2,569
Feed Bunk Bucket	FBB-112	Add 347
Fork Bucket	FB-42	800
Tine Bucket	TB-38	1,250

#### ATTACHMENTS

HAY HANDLING	P/N	PRICE
2-Prong Bale Spear	SP-42	650
3-Prong Bale Spear	SP-43	600
4-Prong Bale Spear	SP-74	775
4-Tine Double Bale Spear	SP-2B	1,200

Stack Saver I	SS-I	750
Stack Saver II - 3	SS-II-3	800
Bale Handler	BH-15	4,250
Squeezer™	SQ-80	1,800

#### MATERIAL HANDLING

P/N	PRICE	
Brush Crusher	BC-5000	1,500
Brush Crusher	BC-6000	2,000
Brush Crusher	BC-8200	2,500
84" Bucket Teeth 84" & 96" BUCKETS	BT-84	650
Rake Teeth	RK-40	170
42" Fork Lift	FL-42	900
48" Fork Lift	FL-48	950
Extendable Boom	EB-34	1,000
Sabretooth	GF-32	650
Monster Grab Fork Straight Teeth	GF-51	1,500
Monster Grab Fork Curved Teeth	GF-52	1,800
Quick Mount Claw Grab Fork	GF-64	2,200
84" Cat Claw 3-D Grab Fork*	GF-184-3D	2,750
96" Cat Claw 3-D Grab Fork*	GF-196-3D	3,000
84" Cat Claw 3-D Grab Fork	GF-84-3D	2,750
96" Cat Claw 3-D Grab Fork	GF-96-3D	3,000

\* For Freedom Mount, HDHC and HD Custom Contour Buckets

#### ADDITIONAL ATTACHMENTS

P/N	PRICE	
96" V-Plow	VP-96	1,450
84" Dozer Blade	DB-84	1,000
96" Dozer Blade	DB-96	1,250
- Top Extension for Dozer Blade	DB-*TC	Add 750
96" Snow Scraper	SBB-8	1,800
96" Snow Scraper w/Poly Blade	SBB-8-P	2,280
120" Snow Scraper	SBB-10	2,000
120" Snow Scraper w/Poly Blade	SBB-10-P	2,600
- Top Extension for Snow Scraper	SBB-*TC	Add 750
Dual Changer Max for bucket	DC-1	500

#### ADAPTER OPTIONS

P/N	PRICE	
Snap-Att Adapters Weld on-Set (2)	C-2	110
Snap-Att Adapters-Bolt on-Set (2)	C-3	120
Snap-Attach Synchronizer	QCS-400	86



Prices and Specifications may be subject to change without notice. Prices do not include shipping or setup.

# LOADERS



Prices Effective as of 1-21

## TA SERIES LOADERS

### The ultimate self-leveling loader

up to 160 HP up to 130  
2WD 4WD

Whether you're hauling loose materials like silage or bulky materials like seed pallets, we have a self-leveling loader that is versatile enough to accommodate the different materials you haul throughout the year. The TA-48 has two different settings on the mechanical self-leveling linkage which allows you to have "true" self-leveling or "no-spill" self-leveling. IT'S THE ONLY LOADER IN THE INDUSTRY TO OFFER THIS VERSATILITY.

## TA-48

BASE PACKAGE ..... **\$12,303**

Footnotes found in Bracket Chart

#### TA-48 Base package:

- 3" Bucket & Lift Cylinders
- Hydraulic Power-Mount™
- Snap-Attach™
- Mechanical Self-Leveling
- Standard Bracket Set
- Hose Kit
- MA-40 Hydraulic Manifold
- Bucket Gauge Rod
- 84" Lg Cap Bucket (84Q425)

<b>LIFT CAPACITY</b>	2500 psi   3000 psi
31.5" from Pin	4800   5760
At Pivot Pin	7030   8430
<b>LIFT HEIGHT</b>	14' 6"   174"
<b>PKG WEIGHT</b>	2695#
<b>COLOR*</b>	Stone Black

\*Custom Paint Colors Available. Call for Pricing.

#### FACTORY INSTALLED UPGRADES

Description	P/N	Price
Bucket Options		
- Back Drag Bucket	BD	Add 303
- Heavy Duty Bucket Teeth (set of 2)	BTB-390	Add 208
- Chain Hooks	CH	Add 50
- Grab Fork Hooks (Std Buckets)	GF	Add 80
- Grab Fork Hooks (HDHC Buckets)	GF	Add 150
Rotational Height Indicator	LAC-25	Add 60
Full Range Level Indicator	LAC-15	Add 29
Radiator Grill Guard	RG	Add 103
3rd Steel Line mtd, w/couplers		
- Steel Line	T	Add 180
- Steel Line w/hoses to tractor	T2	Add 289
- Steel Line w/hoses to manifold/tractor*	T3	Add 346
- Steel Line w/hoses to manifold/valve*	T4	Add 319

\* Requires a 3-spool manifold - see HYDRAULIC MANIFOLDS

#### HYDRAULIC MANIFOLDS

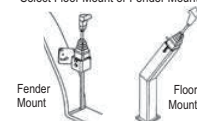
Description	P/N	PRICE
<b>1-SPOOL MANIFOLDS</b> to quick-connect T-line to attachment		
- Standard Manifold		INC
- Flat Face Hydra-Snap™	MA-384	Add 456
<b>2-SPOOL MANIFOLDS</b> to quick-connect loader to tractor		
- Standard Manifold	MA-40	INC
- Under Pressure Manifold	MA-80	Add 88
- Hydra-Snap™ Manifold	MA-280	Add 217
- Flat Face Hydra-Snap™ Manifold	MA-380	Add 729
<b>*3-SPOOL MANIFOLDS</b> to quick-connect loader to tractor		
- Standard Manifold	MA-43	Add 57
- Under Pressure Manifold	MA-83	Add 141
- Hydra-Snap™ Manifold	MA-283	Add 345
- Flat Face Hydra-Snap™ Manifold	MA-383	Add 1,160
Comfort Ride	CRS-750	Add 888

#### JOYSTICKS & HYDRAULIC PACKAGES

##### OC/CC - OPEN CENTER / CLOSED CENTER HYDRAULIC SYSTEMS

	Spool	1 Valve w/Handles and Mounting Kit	2 Valve w/Direct Joystick & Mtg.Kit	3 Valve with Remote Cable Joystick*	4 Precision Valve and Remote Joystick*	5 Precision Valve w/Level-UP Pre-Assembled-Ready to Use	6 All Electronic Valve with Electronic Joystick*
<b>A</b>	2 OC/CC	728	838	1,311	1,401	1,680	N/A
<b>B</b>	3 OC/CC	876	980	1,745	1,951	2,550	N/A
<b>PFC - PRESSURE FLOW HYDRAULIC SYSTEMS</b>							
<b>C</b>	2 PFC	N/A	N/A	N/A	2,000	2,487	6,659
<b>D</b>	3 PFC	N/A	N/A	N/A	2,600	2,944	6,995

\*Includes Mounting Kit, Select Floor Mount or Fender Mount



#### BUCKET UPGRADES

BUCKETS	P/N	PRICE
84" Large Capacity Bucket	84Q425	INC
90" Large Capacity Bucket	90Q425	Add 64
96" Large Capacity Bucket	96Q429	Add 135
<b>HDHC= HEAVY DUTY HIGH CAPACITY BUCKETS</b>		
84" HDHC Double Weld-On Blade	84Q431W	Add 372
84" HDHC Bolt-On Blade	84Q431B	Add 539
96" HDHC Double Weld-On Blade	96Q435W	Add 575
96" HDHC Bolt-On Blade	96Q435B	Add 837

#### SPECIALTY BUCKETS

High Vol. Low Density Bucket	96Q454	Add 466
Z-47 Feeder Bucket	Z-47	Add 2,569
Feed Bunk Bucket	FBB-112	Add 347
Fork Bucket	FB-42	800
Tine Bucket	TB-38	1,250

#### ATTACHMENTS

HAY HANDLING	P/N	PRICE
2-Prong Bale Spear	SP-42	650
3-Prong Bale Spear	SP-43	600
4-Prong Bale Spear	SP-74	775
4-Tine Double Bale Spear	SP-2B	1,200
Stack Saver I	SS-I	750
Stack Saver II - 3	SS-II-3	800
Bale Handler	BH-15	4,250
Squeezer™	SQ-80	1,800

#### MATERIAL HANDLING

P/N	PRICE	
Brush Crusher	BC-5000	1,500
Brush Crusher	BC-6000	2,000
Brush Crusher	BC-8200	2,500
84" Bucket Teeth 84" & 96" BUCKETS	BT-84	650
Rake Teeth	RK-40	170
42" Fork Lift	FL-42	900
48" Fork Lift	FL-48	950
Extendable Boom	EB-34	1,000
Sabretooth	GF-32	650
Monster Grab Fork Straight Teeth	GF-51	1,500
Monster Grab Fork Curved Teeth	GF-52	1,800
Quick Mount Claw Grab Fork	GF-64	2,200
84" Cat Claw 3-D Grab Fork*	GF-184-3D	2,750
96" Cat Claw 3-D Grab Fork*	GF-196-3D	3,000
84" Cat Claw 3-D Grab Fork	GF-84-3D	2,750
96" Cat Claw 3-D Grab Fork	GF-96-3D	3,000

\* For Freedom Mount, HDHC and HD Custom Contour Buckets

#### ADDITIONAL ATTACHMENTS

P/N	PRICE	
96" V-Plow	VP-96	1,450
84" Dozer Blade	DB-84	1,000
96" Dozer Blade	DB-96	1,250
- Top Extension for Dozer Blade	DB-*TC	Add 750
96" Snow Scraper	SBB-8	1,800
96" Snow Scraper w /Poly Blade	SBB-8-P	2,280
120" Snow Scraper	SBB-10	2,000
120" Snow Scraper w /Poly Blade	SBB-10-P	2,600
- Top Extension for Snow Scraper	SBB-*TC	Add 750
Dual Changer Max for bucket	DC-1	500

#### ADAPTER OPTIONS

P/N	PRICE	
Snap-Att Adapters Weld on-Set (2)	C-2	110
Snap-Att Adapters-Bolt on-Set (2)	C-3	120
Snap-Attach Synchronizer	QCS-400	86



Prices and Specifications may be subject to change without notice. Prices do not include shipping or setup.

# LOADERS



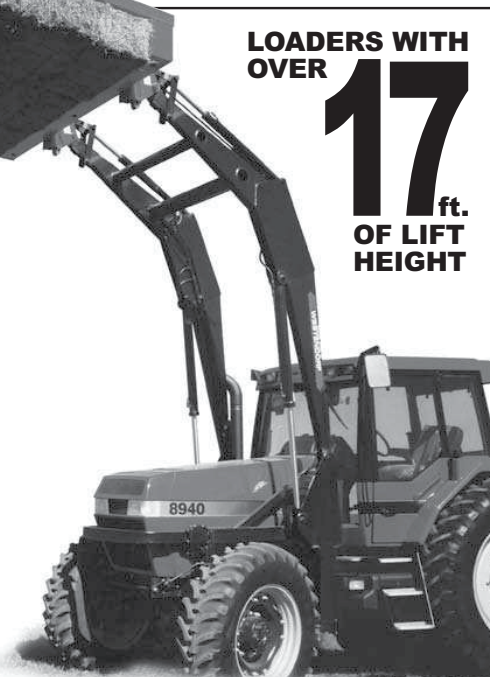
## HIGH LIFT LOADERS

Westendorf manufactures loaders with the highest lift height in the industry. Not only do these loaders provide the height you need, they are also equipped with larger lift cylinders for more power at greater heights. These loaders are ideal for commercial hay operations, dairy farms, and feedlots who need the extra lift height in their daily operations.



LOADERS WITH  
OVER

**17** ft.  
OF LIFT  
HEIGHT



TA SERIES

## ADD-ON MECHANICAL SELF-LEVELING

It's the ideal solution for repetitive work such as stacking pallets, loading/unloading equipment or stacking hay. The add-on mechanical self-leveling kit is a valuable addition to the loader package. Westendorf is the only loader manufacturer to offer the add-on mechanical self-leveling kit, allowing you to conveniently upgrade at a later date or add it during specific seasons to handle hay or pallets.

- Low Profile channel design promotes good visibility and **ELIMINATES** tunnel vision
- Mechanical advantage keeps bucket level on the way up and down
- Increases loader capacity by 20%
- Easy to Install Kit
- Available for TA-26, TA-26 Plus and TA-46 Loaders

## ADDS 20% MORE LIFT CAPACITY



Part Number: B



# LOADERS



Prices Effective as of 1-21

## TA SERIES HIGH LIFT LOADERS

**A hay loader - no doubt about it**

up to 240 HP up to 225  
2WD 4WD

The TA-76 is the ultimate loader for feeders and hay users. With a 15'2" lift height, this loader is built to last with double torsion tubes, 3" lift cylinder and big, 96" bucket. The TA-76 is a power loader built for a heavy-duty user; you can really dig, not just lift high with it. It has a wider frame for 70 series attachments.

**TA-76**  
**BASE PACKAGE..... \$12,770**

Footnotes found in Bracket Chart

### TA-76 Base package:

- 3" Bucket Cylinders
- 3" Lift Cylinders
- Hydraulic Power-Mount™
- Snap-Attach™
- Standard Bracket Set
- Hose Kit
- MA-40 Hydraulic Manifold
- Bucket Gauge Rod
- 96" Large Capacity Bucket (96Q729)

LIFT CAPACITY	2500 psi   3000 psi
31.5" from Pin	4255   5100
At Pivot Pin	6230   7475
LIFT HEIGHT	15' 2"   180"
PKG WEIGHT	2645#
COLOR*	Stone Black

\*Custom Paint Colors Available. Call for Pricing.

### FACTORY INSTALLED UPGRADES

Description	P/N	Price
Lift Cylinder Upgrade	E	Add 346
Bucket Options		
- Back Drag Bucket	BD	Add 303
- Heavy Duty Bucket Teeth (set of 2)	BTB-390	Add 208
- Chain Hooks	CH	Add 50
- Grab Fork Hooks (Std Buckets)	GF	Add 80
- Grab Fork Hooks (HDHC Buckets)	GF	Add 150
Rotational Height Indicator	LAC-25	Add 60
Full Range Level Indicator	LAC-15	Add 29
Radiator Grill Guard	RG	Add 103
3rd Steel Line mtd, w/couplers		
- Steel Line	T	Add 180
- Steel Line w/hoses to tractor	T2	Add 289
- Steel Line w/hoses to manifold/tractor*	T3	Add 346
- Steel Line w/hoses to manifold/valve*	T4	Add 319

\* Requires a 3-spool manifold - see HYDRAULIC MANIFOLDS

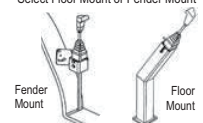
### HYDRAULIC MANIFOLDS

Description	P/N	PRICE
<b>1-SPOOL MANIFOLDS</b> to quick-connect T-line to attachment		
- Standard Manifold		INC
- Flat Face Hydra-Snap™	MA-384	456
<b>2-SPOOL MANIFOLDS</b> to quick-connect loader to tractor		
- Standard Manifold	MA-40	INC
- Under Pressure Manifold	MA-80	Add 88
- Hydra-Snap™ Manifold	MA-280	Add 217
- Flat Face Hydra-Snap™ Manifold	MA-380	Add 729
<b>*3-SPOOL MANIFOLDS</b> to quick-connect loader to tractor		
- Standard Manifold	MA-43	Add 57
- Under Pressure Manifold	MA-83	Add 141
- Hydra-Snap™ Manifold	MA-283	Add 345
- Flat Face Hydra-Snap™ Manifold	MA-383	Add 1,160
Level UP Advantage (Reg. \$922.00)	LV-UP	Add 500
Comfort Ride	CRS-750	Add 888

### JOYSTICKS & HYDRAULIC PACKAGES

OC/CC - OPEN CENTER / CLOSED CENTER HYDRAULIC SYSTEMS						
Spool	1 Valve w/Handles and Mounting Kit	2 Valve w/Direct Joystick & Mtg.Kit	3 Valve with Remote Cable Joystick*	4 Precision Valve and Remote Joystick*	5 Precision Valve w/Level-UP* Pre-Assembled-Ready to Use	6 All Electronic Valve with Electronic Joystick*
A	2 OC/CC	728	838	1,311	1,401	N/A
B	3 OC/CC	876	980	1,745	1,951	N/A
PFC - PRESSURE FLOW HYDRAULIC SYSTEMS						
C	2 PFC	N/A	N/A	N/A	2,000	2,487
D	3 PFC	N/A	N/A	N/A	2,600	2,944

\*Includes Mounting Kit, Select Floor Mount or Fender Mount



### BUCKET UPGRADES

BUCKETS	P/N	PRICE
96" Large Capacity Bucket	96Q729	INC
108" Large Capacity Bucket	108Q733	Add 178
<b>HDHC= HEAVY DUTY HIGH CAPACITY BUCKETS</b>		
84" HDHC Double Weld-On Blade	84Q731W	Add 237
84" HDHC Bolt-On Blade	84Q731B	Add 404
96" HDHC Double Weld-On Blade	96Q735W	Add 440
96" HDHC Bolt-On Blade	96Q735B	Add 702
<b>SPECIALTY BUCKETS</b>		
Z-47 Feeder Bucket	Z-47	Add 2,434
Feed Bunk Bucket	FBB-112	Add 212
Fork Bucket	FB-42/C-2	800
Tine Bucket	TB-38	1,250

### ATTACHMENTS

HAY HANDLING	P/N	PRICE
2-Prong Bale Spear	SP-72	675
3-Prong Bale Spear	SP-76	725
4-Prong Bale Spear	SP-74	775
4-Tine Double Bale Spear	SP-2B	1,200
Stack Saver I	SS-I	750
Stack Saver II - 3	SS-II-3	800
Bale Handler	BH-15	4,250
Squeezer™	SQ-80	1,800

Requires P-7 Extension Plate - See page 43.

MATERIAL HANDLING	P/N	PRICE
Brush Crusher	BC-5000	1,500
Brush Crusher	BC-6000	2,000
Brush Crusher	BC-8200	2,500
Bucket Teeth 84" & 96" BUCKETS	BT-84	650
Rake Teeth	RK-40	170
42" Fork Lift	FL-42	900
48" Fork Lift	FL-48	950
Extendable Boom	EB-34	1,000
Sabretooth	GF-32	650
Monster Grab Fork Straight Teeth	GF-51	1,500
Monster Grab Fork Curved Teeth	GF-52	1,800
Quick Mount Claw Grab Fork	GF-64	2,200
96" Cat Claw 3-D Grab Fork*	GF-196-3D	3,000
96" Cat Claw 3-D Grab Fork	GF-96-3D	3,000

\* For Freedom Mount, HDHC and HD Custom Contour Buckets

ADDITIONAL ATTACHMENTS	P/N	PRICE
96" V-Plow	VP-96/C-2	1,450
96" Dozer Blade	DB-96	1,250
120" Dozer Blade	DB-120	1,750
- Top Extension for Dozer Blade	DB-*TC	Add 750
120" Snow Scraper	SBB-10	2,000
120" Snow Scraper w/Poly Blade	SBB-10-P	2,600
144" Snow Scraper	SBB-12	2,400
144" Snow Scraper w/Poly Blade	SBB-12-P	3,120
- Top Extension for Snow Scraper	SBB-*TC	Add 750
Dual Changer Max for bucket	DC-1	500
ADAPTER OPTIONS		
Snap-Att Adapters Weld on-Set (2)	C-2	110
Snap-Att Adapters-Bolt on-Set (2)	C-3	120
Snap-Attach Synchronizer	QCS-700	98



Prices and Specifications may be subject to change without notice. Prices do not include shipping or setup.



# LOADERS



Prices Effective as of 1-21

## TA SERIES HIGH LIFT LOADERS

Want more lift height? You got it!

up to 240 HP up to 225  
2WD 4WD

The TA-77 offers all the benefits of the TA-76 with 2' more lift height. It's the highest in the industry. It comes with bigger lift cylinders for more power at greater heights. It is ideal for commercial hay operations with its great reach and 17'4" lift height.

### TA-77

BASE PACKAGE ..... **\$13,449**

Footnotes found in Bracket Chart

#### TA-77 Base Package:

- 3" Bucket Cylinders
- 3-1/2" Lift Cylinders
- Hydraulic Power-Mount™
- Snap-Attach™
- Standard Bracket Set
- Hose Kit
- MA-40 Hydraulic Manifold
- Bucket Gauge Rod
- 96" Large Capacity Bucket (96Q729)

LIFT CAPACITY	2500 psi	3000 psi
31.5" from Pin	5200	6240
At Pivot Pin	7620	9140
LIFT HEIGHT	17' 4"	208"
PKG WEIGHT	2695#	
COLOR*	Stone Black	

\*Custom Paint Colors Available. Call for Pricing.

#### FACTORY INSTALLED UPGRADES

Description	P/N	Price
<b>Bucket Options</b>		
- Back Drag Bucket	BD	Add 303
- Heavy Duty Bucket Teeth (set of 2)	BTB-390	Add 208
- Chain Hooks	CH	Add 50
- Grab Fork Hooks (Std Buckets)	GF	Add 80
- Grab Fork Hooks (HDHC Buckets)	GF	Add 150
Rotational Height Indicator	LAC-25	Add 60
Full Range Level Indicator	LAC-15	Add 29
Radiator Grill Guard	RG	Add 103
<b>3rd Steel Line mtd, w/couplers</b>		
- Steel Line	T	Add 180
- Steel Line w/hoses to tractor	T2	Add 289
- Steel Line w/hoses to manifold/tractor*	T3	Add 346
- Steel Line w/hoses to manifold/valve*	T4	Add 319

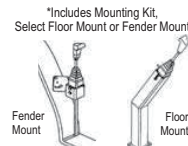
\* Requires a 3-spool manifold - see HYDRAULIC MANIFOLDS

#### HYDRAULIC MANIFOLDS

Description	P/N	PRICE
<b>1-SPOOL MANIFOLDS</b> to quick-connect T-line to attachment		
- Standard Manifold		INC
- Flat Face Hydra-Snap™	MA-384	Add 456
<b>2-SPOOL MANIFOLDS</b> to quick-connect loader to tractor		
- Standard Manifold	MA-40	INC
- Under Pressure Manifold	MA-80	Add 88
- Hydra-Snap™ Manifold	MA-280	Add 217
- Flat Face Hydra-Snap™ Manifold	MA-380	Add 729
<b>*3-SPOOL MANIFOLDS</b> to quick-connect loader to tractor		
- Standard Manifold	MA-43	Add 57
- Under Pressure Manifold	MA-83	Add 141
- Hydra-Snap™ Manifold	MA-283	Add 345
- Flat Face Hydra-Snap™ Manifold	MA-383	Add 1,160
Level UP Advantage (Reg. \$922.00)	LV-UP	Add 500
Comfort Ride	CRS-750	Add 888

#### JOYSTICKS & HYDRAULIC PACKAGES

OC/CC - OPEN CENTER / CLOSED CENTER HYDRAULIC SYSTEMS						
	1	2	3	4	5	6
Spool	Valve w/Handles and Mounting Kit	Valve w/Direct Joystick & Mtg.Kit	Valve with Remote Cable Joystick*	Precision Valve and Remote Joystick*	Precision Valve w/Level-UP* Pre-Assembled-Ready to Use	All Electronic Valve with Electronic Joystick*
A	2 OC/CC	728	838	1,311	1,401	1,680
B	3 OC/CC	876	980	1,745	1,951	2,550
PFC - PRESSURE FLOW HYDRAULIC SYSTEMS						
C	2 PFC	N/A	N/A	N/A	2,000	2,487
D	3 PFC	N/A	N/A	N/A	2,600	2,944
						6,659
						6,995



#### BUCKET UPGRADES

BUCKETS	P/N	PRICE
96" Large Capacity Bucket	96Q729	INC
108" Large Capacity Bucket	108Q733	Add 178
<b>HDHC = HEAVY DUTY HIGH CAPACITY BUCKETS</b>		
84" HDHC Double Weld-On Blade	84Q731W	Add 237
84" HDHC Bolt-On Blade	84Q731B	Add 404
96" HDHC Double Weld-On Blade	96Q735W	Add 440
96" HDHC Bolt-On Blade	96Q735B	Add 702
<b>SPECIALTY BUCKETS</b>		
Z-47 Feeder Bucket	Z-47	Add 2,434
Feed Bunk Bucket	FBB-112	Add 212
Fork Bucket	FB-42/C-2	800
Tine Bucket	TB-38	1,250

#### ATTACHMENTS

HAY HANDLING	P/N	PRICE
2-Prong Bale Spear	SP-72	675
3-Prong Bale Spear	SP-76	725
4-Prong Bale Spear	SP-74	775
4-Tine Double Bale Spear	SP-2B	1,200
Stack Saver I	SS-I	750
Stack Saver II - 3	SS-II-3	800
Bale Handler	BH-15	4,250
Squeezer™	SQ-80	1,800

Requires P-7 Extension Plate - See page 43.

MATERIAL HANDLING	P/N	PRICE
Brush Crusher	BC-5000	1,500
Brush Crusher	BC-6000	2,000
Brush Crusher	BC-8200	2,500
<b>Bucket Teeth 84" &amp; 96" BUCKETS</b>		
Bucket Teeth	BT-84	650
Rake Teeth	RK-40	170
42" Fork Lift	FL-42	900
48" Fork Lift	FL-48	950
Extendable Boom	EB-34	1,000
Sabretooth	GF-32	650
Monster Grab Fork Straight Teeth	GF-51	1,500
Monster Grab Fork Curved Teeth	GF-52	1,800
Quick Mount Claw Grab Fork	GF-64	2,200
96" Cat Claw 3-D Grab Fork*	GF-196-3D	3,000
96" Cat Claw 3-D Grab Fork	GF-96-3D	3,000

\* For Freedom Mount, HDHC and HD Custom Contour Buckets

ADDITIONAL ATTACHMENTS	P/N	PRICE
96" V-Plow	VP-96/C-2	1,450
96" Dozer Blade	DB-96	1,250
120" Dozer Blade	DB-120	1,750
- Top Extension for Dozer Blade	DB-*TC	Add 750
120" Snow Scraper	SBB-10	2,000
120" Snow Scraper w/Poly Blade	SBB-10-P	2,600
144" Snow Scraper	SBB-12	2,400
144" Snow Scraper w/Poly Blade	SBB-12-P	3,120
- Top Extension for Snow Scraper	SBB-*TC	Add 750
Dual Changer Max for bucket	DC-1	500

ADAPTER OPTIONS	P/N	PRICE
Snap-Att Adapters Weld on-Set (2)	C-2	110
Snap-Att Adapters-Bolt on-Set (2)	C-3	120
Snap-Attach Synchronizer	QCS-700	98



# LOADERS



## XTA SERIES RANGES 175 - 250 HORSE POWER

### XTA SERIES

These extra strong "Traction Action" loaders are heavy duty and designed to fit tractors with larger tires and, in many cases, those with fenders. The XTA series has our patented Power-Mount™ which allows the operator to hydraulically power mount or dismount the loader in minutes, with no tools or dangerous stands, and the patented Snap-Attach™ System which allows the operator to take off the bucket quickly and hook-up attachments without ever leaving the tractor. It is available for both 2WD and 4WD tractors. This series offers great oscillation and good lift height.



### XTA SERIES

### HP Ratings

4WD HP LISTED FIRST 2WD HP LISTED SECOND

40 S.	<b>XTA-400</b>	<b>13' Lift Height</b>	<b>175</b>	<b>200</b>
	<b>XTA-700</b>	<b>15' Lift Height</b>	<b>210</b>	<b>250</b>

40 Series = 45.5" wide  
70 Series = 54" wide

# LOADERS



Prices Effective as of 1-21

## XTA SERIES LOADERS

### Modern styling for the modern tractor

up to 200 HP up to 175  
2WD 4WD

Built for the larger, stronger 2WD and 4WD tractors, the XTA Series gives you the BIG extras you need. It fits most tractor models with fenders, allows great oscillation and it works with narrow rows. It features heavy duty replaceable 2 -1/4" bushings, grease-from-the-end pins and power linkage. Considering the size of this loader, it is the easiest large loader to mount and dismount on the market today.

## XTA-400

BASE PACKAGE ..... **\$11,984**

Footnotes found in Bracket Chart

### XTA-400 Base Package:

- 3" Bucket Cylinders
- 3" Lift Cylinders (3-1/2" Opt.)
- Hydraulic Power-Mount™
- Snap-Attach™
- Standard Bracket Set
- Hose Kit
- Hydra-Snap™ Hydraulic Manifold
- Rotational Level Indicator
- 84" Lg Cap Bucket (84Q425)

LIFT CAPACITY	2500 psi   3000 psi
31.5" from Pin	4500   5400
At Pivot Pin	6590   7900
LIFT HEIGHT	13'   156"
PKG WEIGHT	2690#
COLOR*	Stone Black

\*Custom Paint Colors Available. Call for Pricing.

### FACTORY INSTALLED UPGRADES

Description	P/N	Price
Mechanical Self-Leveling <i>Adds 20% more lift capacity</i>	B Add	1,304
Lift Cylinder Upgrade	E Add	346
<b>Bucket Options</b>		
- Back Drag Bucket	BD Add	303
- Heavy Duty Bucket Teeth (set of 2)	BTB-390 Add	208
- Chain Hooks	CH Add	50
- Grab Fork Hooks (Std Buckets)	GF Add	80
- Grab Fork Hooks (HDHC Buckets)	GF Add	150
Rotational Height Indicator	LAC-25 Add	60
Full Range Level Indicator	LAC-15	INC
Radiator Grill Guard	RG-400 Add	524
<b>3rd Steel Line mtd, w/couplers</b>		
- Steel Line	T Add	180
- Steel Line w/hoses to tractor	T2 Add	289
- Steel Line w/hoses to manifold/tractor*	T3 Add	346
- Steel Line w/hoses to manifold/valve*	T4 Add	319

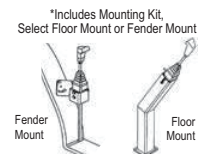
\* Requires a 3-spool manifold - see HYDRAULIC MANIFOLDS

### HYDRAULIC MANIFOLDS

Description	P/N	PRICE
<b>1-SPOOL MANIFOLDS</b> to quick-connect T-line to attachment		
- Standard Manifold		INC
- Flat Face Hydra-Snap™	MA-384	456
<b>2-SPOOL MANIFOLDS</b> to quick-connect loader to tractor		
- Hydra-Snap™ Manifold	MA-280	Add INC
- Flat Face Hydra-Snap™ Manifold	MA-380	Add 512
<b>*3-SPOOL MANIFOLDS</b> to quick-connect loader to tractor		
- Hydra-Snap™ Manifold	MA-283	Add 128
- Flat Face Hydra-Snap™ Manifold	MA-383	Add 943
Level UP Advantage (Reg. \$922.00)	LV-UP	Add 500
Comfort Ride	CRS-750	Add 888

### JOYSTICKS & HYDRAULIC PACKAGES

OC/CC - OPEN CENTER / CLOSED CENTER HYDRAULIC SYSTEMS						
Spool	1 Valve w/Handles and Mounting Kit	2 Valve w/Direct Joystick & Mtg Kit	3 Valve with Remote Cable Joystick*	4 Precision Valve and Remote Joystick*	5 Precision Valve w/Level-UP† Pre-Assembled-Ready to Use	6 All Electronic Valve with Electronic Joystick*
<b>A</b>	2 OC/CC	728	838	1,311	1,401	1,680
<b>B</b>	3 OC/CC	876	980	1,745	1,951	2,550
PFC - PRESSURE FLOW HYDRAULIC SYSTEMS						
<b>C</b>	2 PFC	N/A	N/A	N/A	2,000	2,487
<b>D</b>	3 PFC	N/A	N/A	N/A	2,600	2,944



### BUCKET UPGRADES

BUCKETS	P/N	PRICE
84" Large Capacity Bucket	84Q425	INC
90" Large Capacity Bucket	90Q425	Add 64
96" Large Capacity Bucket	96Q429	Add 135
<b>HDHC= HEAVY DUTY HIGH CAPACITY BUCKETS</b>		
84" HDHC Double Weld-On Blade	84Q431W	Add 372
84" HDHC Bolt-On Blade	84Q431B	Add 539
96" HDHC Double Weld-On Blade	96Q435W	Add 575
96" HDHC Bolt-On Blade	96Q435B	Add 837
<b>SPECIALTY BUCKETS</b>		
High Vol. Low Density Bucket	96Q454	Add 466
Z-47 Feeder Bucket	Z-47	Add 2,569
Feed Bunk Bucket	FBB-112	Add 347
Fork Bucket	FB-42	800
Tine Bucket	TB-38	1,250

### ATTACHMENTS

HAY HANDLING	P/N	PRICE
2-Prong Bale Spear	SP-42	650
3-Prong Bale Spear	SP-43	600
4-Prong Bale Spear	SP-74	775
4-Tine Double Bale Spear	SP-2B	1,200
Stack Saver I	SS-I	750
Stack Saver II - 3	SS-II-3	800
Bale Handler	BH-15	4,250
Squeezer™	SQ-80	1,800
MATERIAL HANDLING	P/N	PRICE
Brush Crusher	BC-5000	1,500
Brush Crusher	BC-6000	2,000
Brush Crusher	BC-8200	2,500
Bucket Teeth 84" & 96" BUCKETS	BT-84	650
Rake Teeth	RK-40	170
42" Fork Lift	FL-42	900
48" Fork Lift	FL-48	950
Extendable Boom	EB-34	1,000
Sabretooth	GF-32	650
Monster Grab Fork Straight Teeth	GF-51	1,500
Monster Grab Fork Curved Teeth	GF-52	1,800
Quick Mount Claw Grab Fork	GF-64	2,200
84" Cat Claw 3-D Grab Fork*	GF-184-3D	2,750
96" Cat Claw 3-D Grab Fork*	GF-196-3D	3,000
84" Cat Claw 3-D Grab Fork	GF-84-3D	2,750
96" Cat Claw 3-D Grab Fork	GF-96-3D	3,000

\* For Freedom Mount, HDHC and HD Custom Contour Buckets

ADDITIONAL ATTACHMENTS	P/N	PRICE
96" V-Plow	VP-96	1,450
84" Dozer Blade	DB-84	1,000
96" Dozer Blade	DB-96	1,250
- Top Extension for Dozer Blade	DB-*TC	Add 750
96" Snow Scraper	SBB-8	1,800
96" Snow Scraper w/Poly Blade	SBB-8-P	2,280
120" Snow Scraper	SBB-10	2,000
120" Snow Scraper w/Poly Blade	SBB-10-P	2,600
- Top Extension for Snow Scraper	SBB-*TC	Add 750
Dual Changer Max for bucket	DC-1	500

ADAPTER OPTIONS	P/N	PRICE
Snap-Att Adapters Weld on-Set (2)	C-2	110
Snap-Att Adapters-Bolt on-Set (2)	C-3	120
Snap-Attach Synchronizer	QCS-400	86



# LOADERS



Prices Effective as of 1-21

## XTA SERIES LOADERS

The "BIG" extras you want

up to 250 HP up to 210  
2WD 4WD

The XTA-700 is the larger version of the XTA-400. It is also ideal for heavy material handling such as manure, hay and silage. It was designed for taller, bigger and heavy-duty use tractors. It fits most tractors on the narrow 30" rows and many with fenders.

# XTA-700

## BASE PACKAGE..... \$13,449

Footnotes found in Bracket Chart

### XTA-700 Base Package:

- 3" Bucket Cylinders
- 3-1/2" Lift Cylinders
- Hydraulic Power-Mount™
- Snap-Attach™
- Standard Bracket Set
- Hose Kit
- Hydra-Snap™ Hydraulic Manifold
- Rotational Level Indicator
- 96" Large Capacity Bucket (96Q729)

LIFT CAPACITY	2500 psi	3000 psi
31.5" from Pin	6200	7440
At Pivot Pin	9080	10900
LIFT HEIGHT	15'	180"
PKG WEIGHT	3300#	
COLOR*	Stone Black	

\*Custom Paint Colors Available. Call for Pricing.

### FACTORY INSTALLED UPGRADES

Description	P/N	Price
Mechanical Self-Leveling	B	Add 1,425
<i>Adds 20% more lift capacity</i>		
<b>Bucket Options</b>		
- Back Drag Bucket	BD	Add 303
- Heavy Duty Bucket Teeth (set of 2)	BTB-390	Add 208
- Chain Hooks	CH	Add 50
- Grab Fork Hooks (Std Buckets)	GF	Add 80
- Grab Fork Hooks (HDHC Buckets)	GF	Add 150
Rotational Height Indicator	LAC-25	Add 60
Full Range Level Indicator	LAC-15	INC
<b>3rd Steel Line mtd, w/couplers</b>		
- Steel Line	T	Add 180
- Steel Line w/hoses to tractor	T2	Add 289
- Steel Line w/hoses to manifold/tractor*	T3	Add 346
- Steel Line w/hoses to manifold/valve*	T4	Add 319

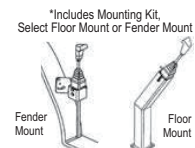
\* Requires a 3-spool manifold - see HYDRAULIC MANIFOLDS

### HYDRAULIC MANIFOLDS

Description	P/N	PRICE
<b>1-SPOOL MANIFOLDS</b> to quick-connect T-line to attachment		
- Standard Manifold		INC
- Flat Face Hydra-Snap™	MA-384	Add 456
<b>2-SPOOL MANIFOLDS</b> to quick-connect loader to tractor		
- Hydra-Snap™ Manifold	MA-280	INC
- Flat Face Hydra-Snap™ Manifold	MA-380	Add 512
<b>*3-SPOOL MANIFOLDS</b> to quick-connect loader to tractor		
- Hydra-Snap™ Manifold	MA-283	Add 128
- Flat Face Hydra-Snap™ Manifold	MA-383	Add 943
Level UP Advantage (Reg. \$922.00)	LV-UP	Add 500
Comfort Ride	CRS-750	Add 888

### JOYSTICKS & HYDRAULIC PACKAGES

OC/CC - OPEN CENTER / CLOSED CENTER HYDRAULIC SYSTEMS						
Spool	1 Valve w/Handles and Mounting Kit	2 Valve w/Direct Joystick & Mtg Kit	3 Valve with Remote Cable Joystick*	4 Precision Valve and Remote Joystick*	5 Precision Valve w/Level-UP <sup>®</sup> Pre-Assembled-Ready to Use	6 All Electronic Valve with Electronic Joystick*
A 2 OC/CC	728	838	1,311	1,401	1,680	N/A
B 3 OC/CC	876	980	1,745	1,951	2,550	N/A
PFC - PRESSURE FLOW HYDRAULIC SYSTEMS						
C 2 PFC	N/A	N/A	N/A	2,000	2,487	6,659
D 3 PFC	N/A	N/A	N/A	2,600	2,944	6,995



## XTA-700A and XTA-700D

Loader has special tower. Order when called for in Bracket Chart.

### BUCKET UPGRADES

BUCKETS	P/N	PRICE
96" Large Capacity Bucket	96Q729	INC
108" Large Capacity Bucket	108Q733	Add 178
<b>HDHC= HEAVY DUTY HIGH CAPACITY BUCKETS</b>		
84" HDHC Double Weld-On Blade	84Q731W	Add 237
84" HDHC Bolt-On Blade	84Q731B	Add 404
96" HDHC Double Weld-On Blade	96Q735W	Add 440
96" HDHC Bolt-On Blade	96Q735B	Add 702
<b>SPECIALTY BUCKETS</b>		
Z-47 Feeder Bucket	Z-47	Add 2,434
Feed Bunk Bucket	FBB-112	Add 212
Fork Bucket	FB-42/C-2	800
Tine Bucket	TB-38	1,250

### ATTACHMENTS

HAY HANDLING	P/N	PRICE
2-Prong Bale Spear	SP-72	675
3-Prong Bale Spear	SP-76	725
4-Prong Bale Spear	SP-74	775
4-Tine Double Bale Spear	SP-2B	1,200
Stack Saver I	SS-I	750
Stack Saver II - 3	SS-II-3	800
Bale Handler	BH-15	4,250
Squeezer*	SQ-80	1,800

\*Requires P-7 Extension Plate - See page 43.

### MATERIAL HANDLING

	P/N	PRICE
Brush Crusher	BC-5000	1,500
Brush Crusher	BC-6000	2,000
Brush Crusher	BC-8200	2,500
<b>Bucket Teeth 84" &amp; 96" BUCKETS</b>		
Bucket Teeth	BT-84	650
Rake Teeth	RK-40	170
42" Fork Lift	FL-42	900
48" Fork Lift	FL-48	950
Extendable Boom	EB-34	1,000
Sabretooth	GF-32	650
Monster Grab Fork Straight Teeth	GF-51	1,500
Monster Grab Fork Curved Teeth	GF-52	1,800
Quick Mount Claw Grab Fork	GF-64	2,200
96" Cat Claw 3-D Grab Fork*	GF-196-3D	3,000
96" Cat Claw 3-D Grab Fork	GF-96-3D	3,000

\* For Freedom Mount, HDHC and HD Custom Contour Buckets

### ADDITIONAL ATTACHMENTS

	P/N	PRICE
96" V-Plow	VP-96/C-2	1,450
96" Dozer Blade	DB-96	1,250
120" Dozer Blade	DB-120	1,750
- Top Extension for Dozer Blade	DB-*TC	Add 750
120" Snow Scraper	SBB-10	2,000
120" Snow Scraper w/Poly Blade	SBB-10-P	2,600
144" Snow Scraper	SBB-12	2,400
144" Snow Scraper w/Poly Blade	SBB-12-P	3,120
- Top Extension for Snow Scraper	SBB-*TC	Add 750
Dual Changer Max for bucket	DC-1	500

### ADAPTER OPTIONS

	P/N	PRICE
Snap-Att Adapters Weld on-Set (2)	C-2	110
Snap-Att Adapters-Bolt on-Set (2)	C-3	120
Snap-Attach Synchronizer	QCS-700	98



Prices and Specifications may be subject to change without notice. Prices do not include shipping or setup.

# LOADERS



## CUSTOM CONTOUR SERIES RANGES 85 - 250 HORSE POWER

### CUSTOM CONTOUR SERIES

This series features the new "Custom Contour" look with a sleek design that fits the shape of today's tractors. It includes features like Power-Mount™, Snap-Attach™ and Hydra-Snap™ which couples all the hoses with one quick motion so they never get mixed up again. The new "Electric Ice" color, hidden hydraulic lines and exceptional bucket action brings this loader to the forefront of the loader industry.



## CUSTOM CONTOUR SERIES

**HP Ratings**  
 4WD HP LISTED FIRST  
 2WD HP LISTED SECOND

40 SERIES	CC-330	10'9"	85	110		
	CC-340	11'4" Lift Height	120	160		
	CC-360	14'2" Lift Height			180	200
70 S.	CC-370	15' Lift Height				210 250

40 Series = 45.5" wide  
 70 Series = 54" wide

# LOADERS

Prices Effective as of 1-21



## CUSTOM CONTOUR SERIES LOADERS

### Everything you want

This powerful loader with smooth action has a molded, seamless fit which offers great sight lines. Its heavy-duty bucket has a rib-free interior for quick clean out. Hydraulic hoses are hided and protected from snags and harmful UV deterioration. Its wider frame increases visibility and accommodates side mufflers on today's newer tractors.

# CC-330 BASE PACKAGE ..... \$10,296

Footnotes found in Bracket Chart

#### CC-330 Base Package:

- 3" Bucket Cylinders
- 3" Lift Cylinders
- Hydraulic Power-Mount™
- Snap-Attach™
- Standard Bracket Set
- Hose Kit
- Hydra-Snap™ Manifold
- Rotational Level Indicator
- Rotational Height Indicator
- 72" HD Contoured Bucket (72Q416)

<b>LIFT CAPACITY</b>	2500 psi   3000 psi
31.5" from Pin	3000   3600
At Pivot Pin	4395   5275
<b>LIFT HEIGHT</b>	10' 9"   129"
<b>PKG WEIGHT</b>	1930#
<b>COLOR*</b>	Electric Ice

\*Custom Paint Colors Available. Call for Pricing.

#### FACTORY INSTALLED UPGRADES

Description	P/N	Price
Bucket Options		
- Back Drag Bucket	BD	Add 303
- Heavy Duty Bucket Teeth (set of 2)	BTB-390	Add 208
Rotational Height Indicator	LAC-25	INC
Full Range Level Indicator	LAC-15	INC
3rd Steel Line mtd. w/couplers		
- Steel Line	T	Add 180
- Steel Line w/hoses to tractor	T2	Add 289
- Steel Line w/hoses to manifold/tractor*	T3	Add 346
- Steel Line w/hoses to manifold/valve*	T4	Add 319

\* Requires a 3-spool manifold - see HYDRAULIC MANIFOLDS

#### JOYSTICKS & HYDRAULIC PACKAGES

##### OC/CC - OPEN CENTER / CLOSED CENTER HYDRAULIC SYSTEMS

	1	2	3	4	5	6
Spool	Valve w/Handles and Mounting Kit	Valve w/Direct Joystick & Mtg.Kit	Valve with Remote Cable Joystick*	Precision Valve and Remote Joystick*	Precision Valve w/Level-UP* Pre-Assembled-Ready to Use	All Electronic Valve with Electronic Joystick*
A 2 OC/CC	728	838	1,311	1,401	1,680	N/A
B 3 OC/CC	876	980	1,745	1,951	2,550	N/A
PFC - PRESSURE FLOW HYDRAULIC SYSTEMS						
C 2 PFC	N/A	N/A	N/A	2,000	2,487	6,659
D 3 PFC	N/A	N/A	N/A	2,600	2,944	6,995

\*Includes Mounting Kit. Select Floor Mount or Fender Mount



#### HYDRAULIC MANIFOLDS

Description	P/N	PRICE
<b>1-SPOOL MANIFOLDS</b> to quick-connect T-line to attachment		
- Standard Manifold		INC
- Hydra-Snap™	MA-190	178
- Flat Face Hydra-Snap™	MA-384	456
<b>2-SPOOL MANIFOLDS</b> to quick-connect loader to tractor		
- Hydra-Snap™ Manifold	MA-280	INC
- Flat Face Hydra-Snap™ Manifold	MA-380	Add 512
<b>*3-SPOOL MANIFOLDS</b> to quick-connect loader to tractor		
- Hydra-Snap™ Manifold	MA-283	Add 128
- Flat Face Hydra-Snap™ Manifold	MA-383	Add 943
Level UP Advantage (Reg. \$922.00)	LV-UP	Add 500
Comfort Ride	CRS-750	Add 888

#### BUCKET UPGRADES

BUCKETS	P/N	PRICE
72" HD Contoured Bucket	72Q416	INC
84" HD Contoured Bucket	84Q418	Add 93
<b>SKID STEER COMPATIBLE BUCKETS &amp; ADAPTERS</b>		
Adapter - adapts to skid steer attachment	C-50	Add 79
72" Skid Steer Bucket	72QS16	Add 89
84" Skid Steer Bucket	84QS18	Add 180

#### SPECIALTY BUCKETS

Z-47 Feeder Bucket	Z-47	Add 2,730
Feed Bunk Bucket	FBB-112	Add 508
Fork Bucket	FB-42	800
Tine Bucket	TB-38	1,250

#### ATTACHMENTS

HAY HANDLING	P/N	PRICE
2-Prong Bale Spear	SP-42	650
3-Prong Bale Spear	SP-43	600
4-Prong Bale Spear	SP-74	775
Stack Saver I	SS-1	750
Stack Saver II - 3	SS-II-3	800
Bale Handler	BH-15	4,250
Squeezer™	SQ-80	1,800
MATERIAL HANDLING		
Brush Crusher	BC-5000	1,500
Brush Crusher	BC-6000	2,000
Brush Crusher	BC-8200	2,500
72" Bucket Teeth	QT-72	650
84" Bucket Teeth 84" & 96" BUCKETS	BT-84	650
Sabretooth	GF-32	650
Cat Claw 3-D Grab Fork	GF-184-3D	2,750
42" Fork Lift	FL-42	900
48" Fork Lift	FL-48	950
Extendable Boom	EB-34	1,000

#### ADDITIONAL ATTACHMENTS

P/N	PRICE	
96" V-Plow	VP-96	1,450
84" Dozer Blade	DB-84	1,000
84" Dozer Blade w /Top Extension	DB-84TC	1,750
96" Snow Scraper	SBB-8	1,800
96" Snow Scraper w/Poly Blade	SBB-8-P	2,280
Dual Changer Max for bucket	DC-1	500
ADAPTER OPTIONS		
Snap-Att Adapters Weld on-Set (2)	C-2	110
Snap-Att Adapters-Bolt on-Set (2)	C-3	120
Snap-Attach Synchronizer	QCS-400	86



Prices and Specifications may be subject to change without notice. Prices do not include shipping or setup.

# LOADERS

Prices Effective as of 1-21



## CUSTOM CONTOUR SERIES LOADERS

### 21<sup>ST</sup> century technology

up to 160 HP up to 120  
2WD 4WD

The CC-340 loader has everything from a sleek, low-profile, patented design to the striking "Electric Ice" color. It has impressive strength and it's what a lot of heavy users are looking for in a loader today. It is standard with the Hydra-Snap™ and mounts & dismounts easily. It fits most 14.9 x 24 tires with fenders and 13.6 x 28 tires without fenders.

# CC-340

## BASE PACKAGE ..... \$11,868

Footnotes found in Bracket Chart

#### CC-340 Base Package:

- 3" Bucket Cylinders
- 3" Lift Cylinders
- Hydraulic Power-Mount™
- Snap-Attach™
- Standard Bracket Set
- Hose Kit
- Hydra-Snap™ Manifold
- Rotational Level Indicator
- Rotational Height Indicator
- 84" HD Contoured Bucket (84Q418)

<b>LIFT CAPACITY</b>	2500 psi   3000 psi
31.5" from Pin	3300   3960
At Pivot Pin	4830   5800
<b>LIFT HEIGHT</b>	11' 4"   136"
<b>PKG WEIGHT</b>	2090#
<b>COLOR*</b>	Electric Ice

\*Custom Paint Colors Available. Call for Pricing.

#### FACTORY INSTALLED UPGRADES

Description	P/N	Price
Bucket Options		
- Back Drag Bucket	BD	Add 303
- Heavy Duty Bucket Teeth (set of 2)	BTB-390	Add 208
Rotational Height Indicator	LAC-25	INC
Full Range Level Indicator	LAC-15	INC
3rd Steel Line mtd, w/couplers		
- Steel Line	T	Add 180
- Steel Line w/hoses to tractor	T2	Add 289
- Steel Line w/hoses to manifold/tractor*	T3	Add 346
- Steel Line w/hoses to manifold/valve*	T4	Add 319

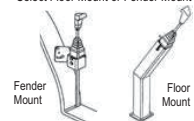
\* Requires a 3-spool manifold - see HYDRAULIC MANIFOLDS

#### JOYSTICKS & HYDRAULIC PACKAGES

##### OC/CC - OPEN CENTER / CLOSED CENTER HYDRAULIC SYSTEMS

	Spool	1 Valve w/Handles and Mounting Kit	2 Valve w/Direct Joystick & Mtg Kit	3 Valve with Remote Cable Joystick*	4 Precision Valve and Remote Joystick*	5 Precision Valve w/Level-UP* Pre-Assembled-Ready to Use	6 All Electronic Valve with Electronic Joystick*
<b>A</b>	2 OC/CC	728	838	1,311	1,401	1,680	N/A
<b>B</b>	3 OC/CC	876	980	1,745	1,951	2,550	N/A
<b>PFC - PRESSURE FLOW HYDRAULIC SYSTEMS</b>							
<b>C</b>	2 PFC	N/A	N/A	N/A	2,000	2,487	6,659
<b>D</b>	3 PFC	N/A	N/A	N/A	2,600	2,944	6,995

\*Includes Mounting Kit, Select Floor Mount or Fender Mount



#### HYDRAULIC MANIFOLDS

Description	P/N	PRICE
<b>1-SPOOL MANIFOLDS</b> to quick-connect T-line to attachment		
- Standard Manifold		INC
- Flat Face Hydra-Snap™	MA-384	456
<b>2-SPOOL MANIFOLDS</b> to quick-connect loader to tractor		
- Hydra-Snap™ Manifold	MA-280	INC
- Flat Face Hydra-Snap™ Manifold	MA-380	Add 512
<b>*3-SPOOL MANIFOLDS</b> to quick-connect loader to tractor		
- Hydra-Snap™ Manifold	MA-283	Add 128
- Flat Face Hydra-Snap™ Manifold	MA-383	Add 943
Level UP Advantage (Reg. \$922.00)	LV-UP	Add 500
Comfort Ride	CRS-750	Add 888

#### BUCKET UPGRADES

BUCKETS	P/N	PRICE
84" HD Contoured Bucket	84Q418	INC
72" HD Contoured Bucket	72Q416	Deduct (93)
<b>SKID STEER COMPATIBLE BUCKETS &amp; ADAPTERS</b>		
Adapter - adapts to skid steer attachment	C-50	Add 79
72" Skid Steer Bucket	72QS16	INC
84" Skid Steer Bucket	84QS18	Add 89

#### SPECIALTY BUCKETS

Z-47 Feeder Bucket	Z-47	Add 2,637
Feed Bunk Bucket	FBB-112	Add 415
Fork Bucket	FB-42	800
Tine Bucket	TB-38	1,250

#### ATTACHMENTS

HAY HANDLING	P/N	PRICE
2-Prong Bale Spear	SP-42	650
3-Prong Bale Spear	SP-43	600
4-Prong Bale Spear	SP-74	775
Stack Saver I	SS-1	750
Stack Saver II - 3	SS-II-3	800
Bale Handler	BH-15	4,250
Squeezer™	SQ-80	1,800
<b>MATERIAL HANDLING</b>		
Brush Crusher	BC-5000	1,500
Brush Crusher	BC-6000	2,000
Brush Crusher	BC-8200	2,500
72" Bucket Teeth	QT-72	650
84" Bucket Teeth 84" & 96" BUCKETS	BT-84	650
Sabretooth	GF-32	650
Cat Claw 3-D Grab Fork	GF-184-3D	2,750
42" Fork Lift	FL-42	900
48" Fork Lift	FL-48	950
Extendable Boom	EB-34	1,000

#### ADDITIONAL ATTACHMENTS

P/N	PRICE
96" V-Plow	VP-96 1,450
84" Dozer Blade	DB-84 1,000
84" Dozer Blade w/Top Extension	DB-84TC 1,750
96" Snow Scraper	SBB-8 1,800
96" Snow Scraper w/Poly Blade	SBB-8-P 2,280
- Top Extension for Snow Scraper	SBB-*TC Add 750
Dual Changer Max for bucket	DC-1 500
<b>ADAPTER OPTIONS</b>	
Snap-Att Adapters Weld on-Set (2)	C-2 110
Snap-Att Adapters-Bolt on-Set (2)	C-3 120
Snap-Attach Synchronizer	QCS-400 86



Prices and Specifications may be subject to change without notice. Prices do not include shipping or setup.

# LOADERS

Prices Effective as of 1-21



## CUSTOM CONTOUR SERIES LOADERS

### More power and lift

up to **200 HP** up to **180 HP**  
2WD 4WD

The 360 Custom Contour has the same sleek, patented design and fits a whole new class of hard-to-fit tractors being introduced on the market today. It has an added lift height of 14'2". It fits tires up to 14.9 x 30 with fenders and maintains the tractor's turning radius and maneuverability.

## CC-360 BASE PACKAGE ..... \$14,308

Footnotes found in Bracket Chart

### CC-360 Base Package:

- 3-1/2" Bucket Cylinders
- 3" Lift Cylinders
- Hydraulic Power-Mount™
- Snap-Attach™
- Standard Bracket Set
- Hose Kit
- Hydra-Snap™ Manifold
- Rotational Level Indicator
- Rotational Height Indicator
- 84" HD Contoured Bucket (84Q427)

LIFT CAPACITY	2500 psi   3000 psi
31.5" from Pin	3900   4680
At Pivot Pin	5710   6850
LIFT HEIGHT	14' 5"   170"
PKG WEIGHT	2740#
COLOR*	Electric Ice

\*Custom Paint Colors Available. Call for Pricing.

### FACTORY INSTALLED UPGRADES

Description	P/N	Price
Bucket Options		
- Back Drag Bucket	BD	Add 303
- Heavy Duty Bucket Teeth (set of 2)	BTB-390	Add 208
Rotational Height Indicator	LAC-25	INC
Full Range Level Indicator	LAC-15	INC
3rd Steel Line mtd, w/couplers		
- Steel Line	T	Add 180
- Steel Line w/hoses to tractor	T2	Add 289
- Steel Line w/hoses to manifold/tractor*	T3	Add 346
- Steel Line w/hoses to manifold/valve*	T4	Add 319

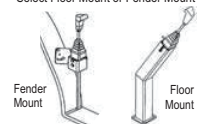
\* Requires a 3-spool manifold - see HYDRAULIC MANIFOLDS

### JOYSTICKS & HYDRAULIC PACKAGES

#### OC/CC - OPEN CENTER / CLOSED CENTER HYDRAULIC SYSTEMS

	Spool	1 Valve w/Handles and Mounting Kit	2 Valve w/Direct Joystick & Mtg.Kit	3 Valve with Remote Cable Joystick*	4 Precision Valve and Remote Joystick*	5 Precision Valve w/Level-UP* Pre-Assembled-Ready to Use	6 All Electronic Valve with Electronic Joystick*
<b>A</b>	2 OC/CC	728	838	1,311	1,401	1,680	N/A
<b>B</b>	3 OC/CC	876	980	1,745	1,951	2,550	N/A
<b>PFC - PRESSURE FLOW HYDRAULIC SYSTEMS</b>							
<b>C</b>	2 PFC	N/A	N/A	N/A	2,000	2,487	6,659
<b>D</b>	3 PFC	N/A	N/A	N/A	2,600	2,944	6,995

\*Includes Mounting Kit, Select Floor Mount or Fender Mount



### HYDRAULIC MANIFOLDS

Description	P/N	PRICE
<b>1-SPOOL MANIFOLDS</b> to quick-connect T-line to attachment		
- Standard Manifold		INC
- Flat Face Hydra-Snap™	MA-384	456
<b>2-SPOOL MANIFOLDS</b> to quick-connect loader to tractor		
- Hydra-Snap™ Manifold	MA-280	INC
- Flat Face Hydra-Snap™ Manifold	MA-380	Add 512
<b>*3-SPOOL MANIFOLDS</b> to quick-connect loader to tractor		
- Hydra-Snap™ Manifold	MA-283	Add 128
- Flat Face Hydra-Snap™ Manifold	MA-383	Add 943
Level UP Advantage (Reg. \$922.00)	LV-UP	Add 500
Comfort Ride	CRS-750	Add 888

### BUCKET UPGRADES

BUCKETS	P/N	PRICE
84" HD Contoured Bucket	84Q427	INC
96" HD Contoured Bucket	96Q430	Add 89
<b>SPECIALTY BUCKETS</b>		
Z-47 Feeder Bucket	Z-47	Add 2,523
Feed Bunk Bucket	FBB-112	Add 301
Fork Bucket	FB-42	800
Tine Bucket	TB-38	1,250

### ATTACHMENTS

HAY HANDLING	P/N	PRICE
2-Prong Bale Spear	SP-42	650
3-Prong Bale Spear	SP-43	600
4-Prong Bale Spear	SP-74	775
4-Tine Double Bale Spear	SP-2B	1,200
Stack Saver I	SS-1	750
Stack Saver II - 3	SS-II-3	800
Bale Handler	BH-15	4,250
Squeezer™	SQ-80	1,800

MATERIAL HANDLING	P/N	PRICE
Brush Crusher	BC-5000	1,500
Brush Crusher	BC-6000	2,000
Brush Crusher	BC-8200	2,500
Bucket Teeth 84" & 96" BUCKETS	BT-84	650
Sabretooth	GF-32	650
84" Cat Claw 3-D Grab Fork	GF-184-3D	2,750
96" Cat Claw 3-D Grab Fork	GF-196-3D	3,000
42" Fork Lift	FL-42	900
48" Fork Lift	FL-48	950
Extendable Boom	EB-34	1,000

ADDITIONAL ATTACHMENTS	P/N	PRICE
96" V-Plow	VP-96	1,450
84" Dozer Blade	DB-84	1,000
96" Dozer Blade	DB-96	1,250
120" Dozer Blade	DB-120	1,750
- Top Extension for Dozer Blade	DB-*TC	Add 750
96" Snow Scraper	SBB-8	1,800
96" Snow Scraper w/Poly Blade	SBB-8-P	2,280
120" Snow Scraper	SBB-10	2,000
120" Snow Scraper w/Poly Blade	SBB-10-P	2,600
- Top Extension for Snow Scraper	SBB-*TC	Add 750
Dual Changer Max for bucket	DC-1	500

ADAPTER OPTIONS	P/N	PRICE
Snap-Att Adapters Weld on-Set (2)	C-2	110
Snap-Att Adapters-Bolt on-Set (2)	C-3	120
Snap-Attach Svnchronizer	QCS-400	86



Prices and Specifications may be subject to change without notice. Prices do not include shipping or setup.



# LOADERS

Prices Effective as of 1-21



## CUSTOM CONTOUR SERIES LOADERS

### Self-leveling at its best

up to 240 HP up to 225  
2WD 4WD

The largest loader of this series comes standard with unique low-profile mechanical self-leveling. It has a 15' lift height and can utilize any of the 70 series attachments. The mechanical self-leveling arm is positioned under the loader arm to keep sightlines clear for working.

## CC-370 BASE PACKAGE.....

# \$17,361

Footnotes found in Bracket Chart

#### CC-370 Base package:

- 3" Bucket Cylinders
- 3-1/2" Lift Cylinders
- Mechanical Self-Leveling
- Hydraulic Power-Mount™
- Snap-Attach™
- Standard Bracket Set
- Hose Kit
- Hydra-Snap™ Manifold
- Rotational Level Indicator
- Rotational Height Indicator
- 96" HD Contour Bucket (96Q730)

LIFT CAPACITY	2500 psi   3000 psi
31.5" from Pin	7000   8400
At Pivot Pin	10,255   12,300
LIFT HEIGHT	15'   180"
PKG WEIGHT	3630#
COLOR*	Electric Ice

\* Custom Paint Colors Available. Call for Pricing.

#### FACTORY INSTALLED UPGRADES

Description	PIN	Price
Mechanical Self-Leveling	B	INC
Bucket Options		
- Back Drag Bucket	BD	Add 303
- Heavy Duty Bucket Teeth (set of 2)	BTB-390	Add 208
Rotational Height Indicator	LAC-25	INC
Full Range Level Indicator	LAC-15	INC
3rd Steel Line mtd, w/couplers		
- Steel Line	T	Add 180
- Steel Line w/hoses to tractor	T2	Add 289
- Steel Line w/hoses to manifold/tractor*	T3	Add 346
- Steel Line w/hoses to manifold/valve*	T4	Add 319

\* Requires a 3-spool manifold - see HYDRAULIC MANIFOLDS

#### HYDRAULIC MANIFOLDS

Description	PIN	PRICE
<b>1-SPOOL MANIFOLDS</b> to quick-connect T-line to attachment		
- Standard Manifold		INC
- Flat Face Hydra-Snap™	MA-384	456
<b>2-SPOOL MANIFOLDS</b> to quick-connect loader to tractor		
- Hydra-Snap™ Manifold	MA-280	INC 512
- Flat Face Hydra-Snap™ Manifold	MA-380	Add
<b>*3-SPOOL MANIFOLDS</b> to quick-connect loader to tractor		
- Hydra-Snap™ Manifold	MA-283	Add 128
- Flat Face Hydra-Snap™ Manifold	MA-383	Add 943
Level UP Advantage (Reg. \$922.00)	LV-UP	Add 500
Comfort Ride	CRS-750	Add 888

#### JOYSTICKS & HYDRAULIC PACKAGES

##### OC/CC - OPEN CENTER / CLOSED CENTER HYDRAULIC SYSTEMS

Spool	1 Valve w/Handles and Mounting Kit	2 Valve w/Direct Joystick & Mtg.Kit	3 Valve with Remote Cable Joystick*	4 Precision Valve and Remote Joystick*	5 Precision Valve w/Level-UP* Pre-Assembled-Ready to Use	6 All Electronic Valve with Electronic Joystick*	*Includes Mounting Kit, Select Floor Mount or Fender Mount
<b>A</b> 2 OC/CC	728	838	1,311	1,401	1,680	N/A	
<b>B</b> 3 OC/CC	876	980	1,745	1,951	2,550	N/A	
<b>PFC - PRESSURE FLOW HYDRAULIC SYSTEMS</b>							
<b>C</b> 2 PFC	N/A	N/A	N/A	2,000	2,487	6,659	Fender Mount
<b>D</b> 3 PFC	N/A	N/A	N/A	2,600	2,944	6,995	Floor Mount

#### BUCKET UPGRADES

BUCKETS	P/N	PRICE
96" HD Contoured Bucket	96Q730	INC
108" Large Capacity Bucket	108Q733	Add 178

#### HDHC= HEAVY DUTY HIGH CAPACITY BUCKETS

84" HDHC Double Weld-On Blade	84Q731W	Add 237
84" HDHC Bolt-On Blade	84Q731B	Add 404
96" HDHC Double Weld-On Blade	96Q735W	Add 440
96" HDHC Bolt-On Blade	96Q735B	Add 702

#### SPECIALTY BUCKETS

Z-47 Feeder Bucket	Z-47	Add 2,434
Feed Bunk Bucket	FBB-112	Add 212
Fork Bucket	FB-42/C-2	800
Tine Bucket	TB-38	1,250

#### ATTACHMENTS

HAY HANDLING	P/N	PRICE
2-Prong Bale Spear	SP-72	675
3-Prong Bale Spear	SP-76	725
4-Prong Bale Spear	SP-74	775
4-Tine Double Bale Spear	SP-2B	1,200
Stack Saver I	SS-I	750
Stack Saver II - 3	SS-II-3	800
Bale Handler	BH-15	4,250
Squeezer™	SQ-80	1,800

Requires P-7 Extension Plate - See page 43.

#### MATERIAL HANDLING

	P/N	PRICE
Brush Crusher	BC-5000	1,500
Brush Crusher	BC-6000	2,000
Brush Crusher	BC-8200	2,500
Bucket Teeth 84" & 96" BUCKETS	BT-84	650
Rake Teeth	RK-40	170
Sabretooth	GF-32	650
84" Cat Claw 3-D Grab Fork	GF-184-3D	2,750
96" Cat Claw 3-D Grab Fork	GF-196-3D	3,000
42" Fork Lift	FL-42	900
48" Fork Lift	FL-48	950
Extendable Boom	EB-34	1,000

#### ADDITIONAL ATTACHMENTS

	P/N	PRICE
96" V-Plow	VP-96/C-2	1,450
96" Dozer Blade	DB-96	1,250
120" Dozer Blade	DB-120	1,750
- Top Extension for Dozer Blade	DB-TC	Add 750
120" Snow Scraper	SBB-10	2,000
120" Snow Scraper w /Poly Blade	SBB-10-P	2,600
144" Snow Scraper	SBB-12	2,400
144" Snow Scraper w /Poly Blade	SBB-12-P	3,120
- Top Extension for Snow Scraper	SBB-TC	Add 750
Dual Changer Max for bucket	DC-1	500

#### ADAPTER OPTIONS

	P/N	PRICE
Snap-Att Adapters Weld on-Set (2)	C-2	110
Snap-Att Adapters-Bolt on-Set (2)	C-3	120
Snap-Attach Synchronizer	QCS-700	98



Prices and Specifications may be subject to change without notice. Prices do not include shipping or setup.

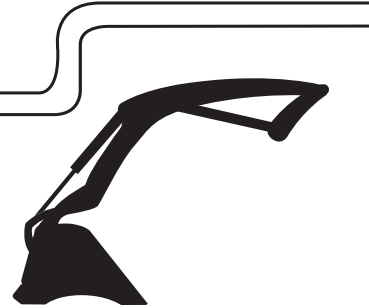
# LOADERS



**FREEDOM MOUNT SERIES RANGES 130 - 260 HORSE POWER**

## **FREEDOM MOUNT SERIES**

Inspired by the greater time demands of today's tractors and modern farmer, Westendorf has revolutionized the way a loader is mounted and dismounted with the new patented Freedom Mount system. This fully loaded series offers more strength and functionality with a low-profile fit on very large front wheel assist tractors.



## **FREEDOM MOUNT SERIES**

**HP Ratings**  
4WD HP

40 SERIES	FM-540	13' Lift Height	130
	FM-550	14' Lift Height	165
	FM-560	15' Lift Height	200
70 SERIES	FM-570	15' Lift Height	210
	FM-580	16' Lift Height	260
80 S.	FM-585	16' Lift Height	260

20 Series = 39" wide  
40 Series = 45.5" wide  
70 Series = 54" wide  
80 Series = 62" wide

# LOADERS



## NEW - FREEDOM MOUNT LOADERS

### YOU ASKED...

*I need to fit LARGE FRONT TIRES?*

*I need a loader that FITS? One that sits LOW on the hood,  
CLOSE to the TRACTOR and LOOKS GREAT Too?*

*I need to FREE the tractor for OTHER TASKS?*

*I need a LOADER that AUTOMATICALLY LOCKS ON?*

*I need to eliminate unexpected DOWNTIME?*



### THIS IS OUR ANSWER... FREEDOM MOUNT™ LOADER SERIES



Inspired by the greater time demands of today's tractors and the modern farmer, Westendorf has revolutionized the way a loader is mounted and dismounted with the new patented Freedom Mount™ system. You are free to complete the task at hand instead of making multiple trips off the tractor, looking for the correct tools and messing with time consuming and dangerous stands. Its lineless hydraulic system eliminates unexpected downtime because there are no hoses to wear out, snag, twist, stretch or snap. It's a great contender for the Super-Steer models and other powerful front-wheel assist tractors with big front tires up to 14.9 X 34.



#### FREEDOM MOUNT FEATURES:

- Remote Control Coupler
- Freedom Mount™ - Automatic Lock-on with Quick NO Stand Dismount
- Heavy Duty bucket with bolt-on blade
- Rotational Height and Level Indicators
- Flat Face Hydra-Snap™ 1-lever coupling
- Grease-From-The-End-Pins
- Patented Smart-Pac Cylinders and much more.



# LOADERS



## QUALITY YOU WILL FEEL...INGENUITY YOU WILL USE

### Box Beam Strength



Box I-Beam Arm Construction. Make sure you have the strength to match the powerful front-wheel assist tractors of today with the wide knee area, extended flange and tapered box style build.

### Fender Friendly - Row Range



Fits large front tires with fenders. Experience the Tire Freedom your tractor was designed with and keep fenders on most models with 30° settings without turning limitations or oscillation stops.

### Visibility Factors



SEE and FEEL the difference of a loader that fits properly with the bucket close. Excellent unrestricted visibility in ALL directions while maintaining balance, sharp turning radius, and more power.

### Freedom Mount™



Enjoy the Freedom of mounting this new series of loader from the comfort of your cab. Just drive over and set your loader on the bucket. To mount, just drive in, hook up hydraulics and the loader automatically locks on.

### Lineless Cylinders



Patented Lineless Cylinder Advantage. Eliminate the chance of unwanted downtime from hose snags, twists or deterioration with Westendorf's Professional Grade Lineless double ported Plug-N-Play cylinders. Features Patented Packing Protection system.

### One-Piece Bracket



Simple and strong one-piece bracket is tailor made for each tractor. Clean design allows easy freedom to access your tractor; plus, it reduces the installation time.

### The Perfect Bucket



The Perfect Bucket For Everyday Use. Westendorf is famous for bigger, stronger and cleaner bucket designs...we've taken it to the next level with the PROFESSIONAL GRADE bucket that matches the strength of the New Freedom Mount loaders.



**NEW**

FM-580

## THE #1 RATED QUICK ATTACH SYSTEM ON THE MARKET IS NOW REMOTE CONTROLLED

You Asked; We Listened. Here by popular demand, the new Remote Control Coupler is activated with an Electro-Hydraulic control button conveniently located in the cab. Change attachments entirely from your seat. Regulated by small internal cylinders, the plungers are secured with hydraulic pressure. This economical user-friendly solution DOES NOT require 3rd function additions to your tractor. Easy On Your Pocketbook. This new Remote Coupler will retrofit to all your existing Westendorf attachments, eliminating any costly upgrades.



**NEW**

# LOADERS

Prices Effective as of 1-21



## FREEDOM MOUNT SERIES LOADERS

Quality You Will Feel;  
Ingenuity You Will Use



The FM-540 loader is a step up from the popular TA-26 loader series with added strength, modern features and 13' lift height. The patented triple force arms, lineless hydraulic system, Freedom-Mount™ bucket, Hydra-Snap™ hydraulic manifolds, rotational indicators and big grease-from-the-end pins allow for exceptional performance on today's powerful front-wheel assist tractors. Ideal for tractors with large front tires. NOW features the new Smart-Lock loader locking system for hassle-free on and off in just minutes.

# FM-540

## BASE PACKAGE.....

# \$11,500

Footnotes found in Bracket Chart

### FM-540 Base Package:

- 3" Smart Pac Lineless Bucket and Lift Cylinders
- Freedom Mount with Smart-Lock
- Remote Control Coupler
- Standard Bracket Set
- Hose Kit
- Radiator Grill Guard
- Hydra-Snap™
- Rotational Level Indicator
- 86" Large Capacity Bucket with Bolt-on Blade (86Q421B)

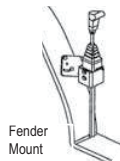
<b>LIFT CAPACITY</b>	2800 psi   3000 psi
31.5" from Pin	3600   3860
At Pivot Pin	5290   5670
<b>LIFT HEIGHT</b>	13'   156"
<b>PKG WEIGHT</b>	2140#
<b>COLOR*</b>	Gunmetal Black

\*Custom Paint Colors Available. Call for Pricing.

### JOYSTICKS & HYDRAULIC PACKAGES

OC/CC - OPEN / CLOSED CENTER HYD SYSTEMS			
	4	5	6
Spool	Precision Valve and Remote Joystick*	Precision Valve w/Level-UP* Pre-Assembled-Ready to Use	All Electronic Valve with Electronic Joystick*
<b>A</b> 2 OC/CC	1,401	1,680	N/A
<b>B</b> 3 OC/CC	1,951	2,550	N/A
PFC - PRESSURE FLOW HYDRAULIC SYSTEMS			
<b>C</b> 2 PFC	2,000	2,487	6,659
<b>D</b> 3 PFC	2,600	2,944	6,995

\*Includes Mounting Kit - Floor or Fender Mount



### FACTORY INSTALLED UPGRADES

Description	P/N	PRICE
Bucket Options		
- Chain Hooks / Forklift Carriers	CH/FL	INC
Radiator Grill Guard	RG	INC
3rd Steel Line mtd, w/couplers		
- Steel Line w/hoses to manifold/tractor*	T3	Add 346
- Steel Line w/hoses to manifold/valve*	T4	Add 319

\* Requires a 3-spool manifold - see HYDRAULIC MANIFOLDS

### HYDRAULIC MANIFOLDS

Description	P/N	PRICE
<b>1-SPOOL MANIFOLDS</b> to quick-connect T-line to attachment		
- Hydra-Snap™	MA-190	INC
- Flat Face Hydra-Snap™	MA-384	456
<b>2-SPOOL MANIFOLDS</b> to quick-connect loader to tractor		
- Flat Face Hydra-Snap™ Manifold	MA-380	Add INC
<b>*3-SPOOL MANIFOLDS</b> to quick-connect loader to tractor		
- Flat Face Hydra-Snap™ Manifold	MA-383	Add 431
Level UP Advantage (Reg. \$922.00)	LV-UP	Add 500
Comfort Ride	CRS-750	Add 888

### BUCKET UPGRADES

BUCKETS	P/N	PRICE
86" Lg Cap. Bucket w/Bolt-On Blade	86Q421B	INC
<b>SPECIALTY BUCKETS</b>		
High Vol. Low Density Bucket	96Q454	1,697
Z-47 Feeder Bucket	Z-47	3,800
Fork Bucket	FB-42	800
Tine Bucket	TB-38	1,250
Sabretooth for Tine Bucket	GF-32	650

### ATTACHMENTS

HAY HANDLING	P/N	PRICE
2-Prong Bale Spear	SP-42	650
3-Prong Bale Spear	SP-43	600
4-Prong Bale Spear	SP-74	775
Stack Saver I	SS-I	750
Stack Saver II - 3	SS-II-3	800
Bale Handler	BH-15	4,250
Squeezer™	SQ-80	1,800
MATERIAL HANDLING	P/N	PRICE
Brush Crusher	BC-6000	2,000
Brush Crusher	BC-8200	2,500
Cat Claw 3-D Grab Fork	GF-184-3D	2,750
42" Fork Lift	FL-42	900
48" Fork Lift	FL-48/C-103	950
Extendable Boom	EB-34	1,000

### ADDITIONAL ATTACHMENTS

P/N	PRICE
96" V-Plow	VP-96 1,450
84" Dozer Blade	DB-84 1,000
96" Dozer Blade	DB-96 1,250
- Top Extension for Dozer Blade	DB-*TC Add 750
96" Snow Scraper	SBB-8 1,800
96" Snow Scraper w/Poly Blade	SBB-8-P 2,280
120" Snow Scraper	SBB-10 2,000
120" Snow Scraper w/Poly Blade	SBB-10-P 2,600
- Top Extension for Snow Scraper	SBB-*TC Add 750

### ADAPTER OPTIONS

P/N	PRICE
Snap-Att Adapters Weld on-Set (2)	C-2 110
Snap-Att Adapters-Bolt on-Set (2)	C-3 120
Snap-Attach Synchronizer	QCS-400 86



Prices and Specifications may be subject to change without notice. Prices do not include shipping or setup.

# LOADERS



Prices Effective as of 1-21

## FREEDOM MOUNT SERIES LOADERS

See and  
Feel the difference



The FM-550 loader is designed for strength and functionality. Its sleek low-profile shape provides clearer sightlines and amazing visibility in all directions. The patented lineless cylinders and hydraulic system, superior free flow bucket, Hydra-Snap™, rotational indicators and extra heavy bucket with bolt-on blade offers heavy-duty users all the extras to match the higher demands of today's large front-wheel assist tractors.

# FM-550

## BASE PACKAGE.....

# \$15,000

Footnotes found in Bracket Chart

### FM-550 Base Package:

- 3-1/2" Smart Pac Lineless Bucket & Lift Cylinders
- Freedom-Mount™
- Remote Control Coupler
- Standard Bracket Set
- Hose Kit
- Radiator Grill Guard
- Hydra-Snap™ Manifolds
- Rotational Level Indicator
- Rotational Height Indicator
- 98" Large Capacity Bucket with Bolt-On Blade (98Q429B)

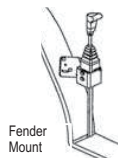
<b>LIFT CAPACITY</b>	2800 psi   3000 psi
31.5" from Pin	3900   4180
At Pivot Pin	6850   7340
<b>LIFT HEIGHT</b>	14'   168"
<b>PKG WEIGHT</b>	2642#
<b>COLOR*</b>	Gunmetal Black

\*Custom Paint Colors Available. Call for Pricing.

### JOYSTICKS & HYDRAULIC PACKAGES

OC/CC - OPEN / CLOSED CENTER HYD SYSTEMS				
	4	5	6	
Spool	Precision Valve and Remote Joystick*	Precision Valve w/Level-UP* Pre-Assembled-Ready to Use	All Electronic Valve with Electronic Joystick*	
<b>A</b> 2 OC/CC	1,401	1,690	N/A	
<b>B</b> 3 OC/CC	1,951	2,550	N/A	
PFC - PRESSURE FLOW HYDRAULIC SYSTEMS				
<b>C</b> 2 PFC	2,000	2,487	6,659	
<b>D</b> 3 PFC	2,600	2,944	6,995	

\*Includes Mounting Kit - Floor or Fender Mount



### FACTORY INSTALLED UPGRADES

Description	P/N	PRICE
Bucket Options		
- Chain Hooks / Forklift Carriers	CH/FL	INC
Radiator Grill Guard	RG	INC
3rd Steel Line mtd, w/couplers		
- Steel Line w/hoses to manifold/tractor*	T3	Add 346
- Steel Line w/hoses to manifold/valve*	T4	Add 319

\* Requires a 3-spool manifold - see HYDRAULIC MANIFOLDS

### HYDRAULIC MANIFOLDS

Description	P/N	PRICE
<b>1-SPOOL MANIFOLDS</b> to quick-connect T-line to attachment		
- Hydra-Snap™	MA-190	INC
- Flat Face Hydra-Snap™	MA-384	Add 456
<b>2-SPOOL MANIFOLDS</b> to quick-connect loader to tractor		
- Flat Face Hydra-Snap™ Manifold	MA-382	INC
<b>*3-SPOOL MANIFOLDS</b> to quick-connect loader to tractor		
- Flat Face Hydra-Snap™ Manifold	MA-383	Add 431
Level UP Advantage (Reg. \$922.00)	LV-UP	Add 500
Comfort Ride	CRS-750	Add 888

### BUCKET UPGRADES

BUCKETS	P/N	PRICE
98" Lg Cap. Bucket w/Bolt-On Blade	98Q429B	INC
108" Lg Cap. Bucket w/Bolt-On Blade	108Q732B	Add 194

### SPECIALTY BUCKETS for FM-550 & 560

Z-47 Feeder Bucket		3,800
Feed Bunk Bucket	FBB-112	1,578
Fork Bucket	FB-42	800
Tine Bucket	TB-38	1,250
Sabretooth for Tine Bucket	GF-32	650

### ATTACHMENTS

HAY HANDLING	P/N	PRICE
2-Prong Bale Spear	SP-42	650
3-Prong Bale Spear	SP-43	600
4-Prong Bale Spear	SP-74	775
4-Tine Double Bale Spear	SP-2B	1,200
Stack Saver I	SS-I	750
Stack Saver II - 3	SS-II-3	800
Bale Handler	BH-15	4,250
Squeezer™	SQ-80	1,800

### MATERIAL HANDLING

	P/N	PRICE
Brush Crusher	BC-6000	2,000
Brush Crusher	BC-8200	2,500
84" Cat Claw 3-D Grab Fork	GF-184-3D	2,750
96" Cat Claw 3-D Grab Fork	GF-196-3D	3,000
42" Fork Lift	FL-42/C-103	900
48" Fork Lift	FL-48/C-103	950
Extendable Boom	EB-34	1,000

### ADDITIONAL ATTACHMENTS

	P/N	PRICE
96" V-Plow	V-P-96	1,450
84" Dozer Blade	DB-84	1,000
96" Dozer Blade	DB-96	1,250
- Top Extension for Dozer Blade	DB-*TC	Add 750
96" Snow Scraper	SBB-8	1,800
96" Snow Scraper w/Poly Blade	SBB-8-P	2,280
120" Snow Scraper	SBB-10	2,000
120" Snow Scraper w/Poly Blade	SBB-10-P	2,600
- Top Extension for Snow Scraper	SBB-*TC	Add 750

### ADAPTER OPTIONS

	P/N	PRICE
Snap-Att Adapters Weld on-Set (2)	C-2	110
Snap-Att Adapters-Bolt on-Set (2)	C-3	120
Snap-Attach Synchronizer	QCS-400	86



Prices and Specifications may be subject to change without notice. Prices do not include shipping or setup.

# LOADERS

Prices Effective as of 1-21



## FREEDOM MOUNT SERIES LOADERS

**Dynamically designed  
for your tractor**



The FM-560 loader is designed for larger 6 cylinder tractors. It has the same sleek low-profile patented Freedom Mount™ shape that provides the clearest sightlines in the industry. The patented lineless cylinders and hydraulic system, Hydra-Snap™ manifolds, rotational indicators and larger heavy-duty bucket with bolt-on blade offer today's heavy-duty user all the extras that he needs to match the higher demands of today's large front-wheel assist tractors.

# FM-560

## BASE PACKAGE

# \$16,750

Footnotes found in Bracket Chart

### FM-560 Base package:

- 3-1/2" Smart Pac Lineless Bucket & Lift Cylinders
- Freedom-Mount™
- Remote Control Coupler
- Standard Bracket Set
- Hose Kit
- Radiator Grill Guard
- Hydra-Snap™ Manifolds
- Rotational Level Indicator
- Rotational Height Indicator
- 98" Large Capacity Bucket with Bolt-On Blade (98Q429B)

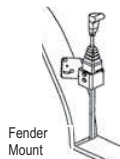
LIFT CAPACITY	2800 psi   3000 psi
31.5" from Pin	4700   5035
At Pivot Pin	7460   7990
LIFT HEIGHT	15'   180"
PKG WEIGHT	2825#
COLOR*	Gunmetal Black

\*Custom Paint Colors Available. Call for Pricing.

### JOYSTICKS & HYDRAULIC PACKAGES

OC/CC - OPEN / CLOSED CENTER HYD SYSTEMS			
Spool	4 Precision Valve and Remote Joystick*	5 Precision Valve w/Level-UP* Pre-Assembled-Ready to Use	6 All Electronic Valve with Electronic Joystick*
<b>A</b> 2 OC/CC	1,401	1,630	N/A
<b>B</b> 3 OC/CC	1,951	2,550	N/A
PFC - PRESSURE FLOW HYDRAULIC SYSTEMS			
<b>C</b> 2 PFC	2,000	2,487	6,659
<b>D</b> 3 PFC	2,600	2,944	6,995

\*Includes Mounting Kit - Floor or Fender Mount



### FACTORY INSTALLED UPGRADES

Description	P/N	PRICE
Bucket Options		
- Chain Hooks / Forklift Carriers	CH/FL	INC
Radiator Grill Guard	RG	INC
3rd Steel Line mtd, w/couplers		
- Steel Line w/hoses to manifold/tractor*	T3	Add 346
- Steel Line w/hoses to manifold/valve*	T4	Add 319

\* Requires a 3-spool manifold - see HYDRAULIC MANIFOLDS

### HYDRAULIC MANIFOLDS

Description	P/N	PRICE
<b>1-SPOOL MANIFOLDS</b> to quick-connect T-line to attachment		
- Hydra-Snap™	MA-190	INC
- Flat Face Hydra-Snap™	MA-384	Add 456
<b>2-SPOOL MANIFOLDS</b> to quick-connect loader to tractor		
- Flat Face Hydra-Snap™ Manifold	MA-382	INC
<b>*3-SPOOL MANIFOLDS</b> to quick-connect loader to tractor		
- Flat Face Hydra-Snap™ Manifold	MA-383	Add 431
Level UP Advantage (Reg. \$922.00)	LV-UP	Add 500
Comfort Ride	CRS-750	Add 888

### BUCKET UPGRADES

BUCKETS	P/N	PRICE
98" Lg Cap. Bucket w/Bolt-On Blade	98Q429B	INC
108" Lg Cap. Bucket w/Bolt-On Blade	108Q732B	Add 194

### SPECIALTY BUCKETS for FM-550 & 560

Z-47 Feeder Bucket	Z-47	3,800
Feed Bunk Bucket	FBB-112	1,578
Fork Bucket	FB-42	800
Tine Bucket	TB-38	1,250
Sabretooth for Tine Bucket	GF-32	650

### ATTACHMENTS

HAY HANDLING	P/N	PRICE
2-Prong Bale Spear	SP-42	650
3-Prong Bale Spear	SP-43	600
4-Prong Bale Spear	SP-74	775
4-Tine Double Bale Spear	SP-2B	1,200
Stack Saver I	SS-I	750
Stack Saver II - 3	SS-II-3	800
Bale Handler	BH-15	4,250
Squeezer™	SQ-80	1,800

### MATERIAL HANDLING

	P/N	PRICE
Brush Crusher	BC-6000	2,000
Brush Crusher	BC-8200	2,500
84" Cat Claw 3-D Grab Fork	GF-184-3D	2,750
96" Cat Claw 3-D Grab Fork	GF-196-3D	3,000
42" Fork Lift	FL-42/C-103	900
48" Fork Lift	FL-48/C-103	950
Extendable Boom	EB-34	1,000

### ADDITIONAL ATTACHMENTS

	P/N	PRICE
96" V-Plow	VP-96	1,450
84" Dozer Blade	DB-84	1,000
96" Dozer Blade	DB-96	1,250
- Top Extension for Dozer Blade	DB-TC	Add 750
96" Snow Scraper	SBB-8	1,800
96" Snow Scraper w/Poly Blade	SBB-8-P	2,280
120" Snow Scraper	SBB-10	2,000
120" Snow Scraper w/Poly Blade	SBB-10-P	2,600
- Top Extension for Snow Scraper	SBB-TC	Add 750

### ADAPTER OPTIONS

	P/N	PRICE
Snap-Att Adapters Weld on-Set (2)	C-2	110
Snap-Att Adapters-Bolt on-Set (2)	C-3	120
Snap-Attach Synchronizer	QCS-400	86



Prices and Specifications may be subject to change without notice. Prices do not include shipping or setup.

# LOADERS



Prices Effective as of 1-21

## FREEDOM MOUNT SERIES LOADERS

**A modern loader  
for a modern tractor**



The FM-570 loader has all the same benefits of the FM-560, and it adapts to wider framed tractors with large front tires. It has the same sleek low-profile patented Freedom Mount™ shape that provides the clearest sightlines in the industry. The patented lineless cylinders and hydraulic system, Hydra-Snap™, rotational indicators, free flow bucket and double tapered I-beam arms ensure you will have the strength in your loader to match the strength of your tractor.

# FM-570

## BASE PACKAGE..... \$16,750

Footnotes found in Bracket Chart

### FM-570 Base Package:

- 3-1/2" Smart Pack Lineless Bucket and Lift Cylinders
- Freedom-Mount™
- Remote Control Coupler
- Mounting & Hose Kit
- Radiator Grill Guard
- Hydra-Snap™ Manifolds
- Rotational Level Indicator
- Rotational Height Indicator
- 98" Large Capacity Bucket (98Q729B)

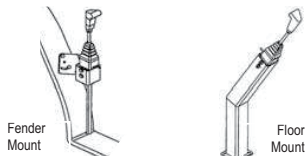
<b>LIFT CAPACITY</b>	2800 psi   3000 psi
	31.5" from Pin 4700   5035
	At Pivot Pin 7460   7990
<b>LIFT HEIGHT</b>	15'   180"
<b>PKG WEIGHT</b>	2845#
<b>COLOR*</b>	Gunmetal Black

\*Custom Paint Colors Available. Call for Pricing.

### JOYSTICKS & HYDRAULIC PACKAGES

OC/CC - OPEN / CLOSED CENTER HYD SYSTEMS			
	4	5	6
Spool	Precision Valve and Remote Joystick*	Precision Valve w/Level-UP*	All Electronic Valve with Electronic Joystick*
<b>A 2 OC/CC</b>	<b>1,401</b>	<b>1,680</b>	N/A
<b>B 3 OC/CC</b>	<b>1,951</b>	<b>2,550</b>	N/A
PFC - PRESSURE FLOW HYDRAULIC SYSTEMS			
<b>C 2 PFC</b>	<b>2,000</b>	<b>2,487</b>	<b>6,659</b>
<b>D 3 PFC</b>	<b>2,600</b>	<b>2,944</b>	<b>6,995</b>

\*Includes Mounting Kit - Floor or Fender Mount



### FACTORY INSTALLED UPGRADES

Description	P/N	PRICE
Bucket Options		
- Chain Hooks / Forklift Carriers	CH/FL	INC
Radiator Grill Guard	RG	INC
3rd Steel Line mtd, w/couplers		
- Steel Line	T	Add 180
- Steel Line w/hoses to tractor	T2	Add 289
- Steel Line w/hoses to manifold/tractor*	T3	Add 346
- Steel Line w/hoses to manifold/valve*	T4	Add 319

\* Requires a 3-spool manifold - see HYDRAULIC MANIFOLDS

### HYDRAULIC MANIFOLDS

Description	P/N	PRICE
<b>1-SPOOL MANIFOLDS</b> to quick-connect T-line to attachment		
- Hydra-Snap™	MA-190	INC
- Flat Face Hydra-Snap™	MA-384	Add 456
<b>2-SPOOL MANIFOLDS</b> to quick-connect loader to tractor		
- Flat Face Hydra-Snap™ Manifold	MA-382	INC
<b>*3-SPOOL MANIFOLDS</b> to quick-connect loader to tractor		
- Flat Face Hydra-Snap™ Manifold	MA-383	Add 431
Level UP Advantage (Reg. \$922.00)	LV-UP	Add 500
Comfort Ride	CRS-750	Add 888

### BUCKET UPGRADES

BUCKETS	P/N	PRICE
98" Lg Cap. Bucket w/Bolt-On Blade	98Q729B	INC
108" Lg Cap. Bucket w/Bolt-On Blade	108Q732B	Add 194

### SPECIALTY BUCKETS

Z-47 Feeder Bucket	Z-47	3,800
Feed Bunk Bucket	FBB-112	1,578
Fork Bucket	FB-42	800
Tine Bucket	TB-38	1,250
Sabretooth for Tine Bucket	GF-32	650

### ATTACHMENTS

HAY HANDLING	P/N	PRICE
2-Prong Bale Spear	SP-72	675
3-Prong Bale Spear	SP-76	725
4-Prong Bale Spear	SP-74	775
4-Tine Double Bale Spear	SP-2B	1,200
Stack Saver I	SS-I	750
Stack Saver II - 3	SS-II-3	800
Bale Handler	BH-15	4,250
Squeezer™	SQ-80	1,800

Requires P-7 Extension Plate - See page 43.

MATERIAL HANDLING	P/N	PRICE
Brush Crusher	BC-6000	2,000
Brush Crusher	BC-8200	2,500
84" Cat Claw 3-D Grab Fork	GF-184-3D	2,750
96" Cat Claw 3-D Grab Fork	GF-196-3D	3,000
42" Fork Lift	FL-42/C-103	900
48" Fork Lift	FL-48/C-103	950
Extendable Boom	EB-34	1,000

ADDITIONAL ATTACHMENTS	P/N	PRICE
96" V-Plow	VP-96/C-2	1,450
96" Dozer Blade	DB-96	1,250
120" Dozer Blade	DB-120	1,750
- Top Extension for Dozer Blade	DB-*TC	Add 750
120" Snow Scraper	SBB-10	2,000
120" Snow Scraper w/Poly Blade	SBB-10-P	2,600
144" Snow Scraper	SBB-12	2,400
144" Snow Scraper w/Poly Blade	SBB-12-P	3,120
- Top Extension for Snow Scraper	SBB-*TC	Add 750

ADAPTER OPTIONS	P/N	PRICE
Snap-Att Adapters Weld on-Set (2)	C-2	110
Snap-Att Adapters-Bolt on-Set (2)	C-3	120
Snap-Attach Synchronizer	QCS-700	98



Prices and Specifications may be subject to change without notice. Prices do not include shipping or setup.



# LOADERS

Prices Effective as of 1-21



## FREEDOM MOUNT SERIES LOADERS

Muscle you won't believe



The FM-580 & FM-585 has all the same modern day features such as patented lineless cylinders and hydraulic system, Flat Face Hydra-Snap™, and bucket with double bolt-on blade ensures you will have the strength you need to match your tractor.

# FM-580

## BASE PACKAGE.....

# \$22,153

Footnotes found in Bracket Chart

This loader is a 70 Series Loader with 54" wide arm spacing.

### FM-580 Base package:

- 3-1/2" Smart Pac Bucket Cylinders
- 4" Smart Pac Lift Cylinders
- Freedom-Mount™
- Remote Control Coupler
- Standard Bracket Set & Hose Kit
- Radiator Grill Guard
- Flat Face Hydra-Snap™ Manifold
- Rotational Level Indicator
- 98" Lg. Cap. Bucket (98Q729B)

LIFT CAPACITY	2800 psi	3000 psi
31.5" from Pin	6740	7220
At Pivot Pin	8830	9460
LIFT HEIGHT	16'	192"
PKG WEIGHT	4400#	
COLOR*	Gunmetal Black	

\*Custom Paint Colors Available. Call for Pricing.

# FM-585

## BASE PACKAGE.....

# \$24,181

Footnotes found in Bracket Chart

This loader is a 80 Series = 62" arm spacing

### FM-585 Base package:

- 3-1/2" Smart Pac Bucket Cylinders
- 4" Smart Pac Lift Cylinders
- Freedom-Mount™
- Remote Control Coupler
- Standard Bracket Set & Hose Kit
- Radiator Grill Guard
- Flat Face Hydra-Snap™ Manifold
- Rotational Level Indicator
- 108" Lg. Cap. Bucket (108Q832B)

LIFT CAPACITY	2800 psi	3000 psi
31.5" from Pin	6740	7220
At Pivot Pin	8830	9460
LIFT HEIGHT	16'	192"
PKG WEIGHT	4600#	
COLOR*	Gunmetal Black	

\*Custom Paint Colors Available. Call for Pricing.

### BUCKET UPGRADES FOR FM-585

BUCKETS	P/N	PRICE
108" Lg Cap. Bucket w/Bolt-On Blade	108Q832B	INC

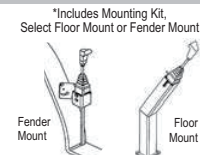
### ATTACHMENTS for FM-585

MATERIAL HANDLING	P/N	PRICE
4-Tine Double Bale Spear	SP-2B	1,200
Brush Crusher	BC-6000	2,000
Brush Crusher	BC-8200	2,500
96" Cat Claw 3-D Grab Fork	GF-196-3D	3,000

### JOYSTICKS & HYDRAULIC PACKAGES

#### OC/CC - OPEN CENTER / CLOSED CENTER HYDRAULIC SYSTEMS

	Spool	1 Valve w/Handles and Mounting Kit	2 Valve w/Direct Joystick & Mtg Kit	3 Valve with Remote Cable Joystick	4 Precision Valve and Remote Joystick	5 Precision Valve w/Level-UP* Pre-Assembled-Ready to Use	6 All Electronic Valve with Electronic Joystick*
<b>A</b>	2 OC/CC	728	838	1,311	1,401	1,680	N/A
<b>B</b>	3 OC/CC	876	980	1,745	1,951	2,550	N/A
<b>PFC - PRESSURE FLOW HYDRAULIC SYSTEMS</b>							
<b>C</b>	2 PFC	N/A	N/A	N/A	2,000	2,487	6,659
<b>D</b>	3 PFC	N/A	N/A	N/A	2,600	2,944	6,995



### FACTORY INSTALLED UPGRADES (580/585)

Description	P/N	PRICE
Bucket Options		
- Chain Hooks / Forklift Carriers	CHFL	INC
Radiator Grill Guard	RG	INC
3rd Steel Line mtd, w/couplers		
- Steel Line w/hoses to manifold/tractor*	T3	Add 346
- Steel Line w/hoses to manifold/valve*	T4	Add 319

\* Requires a 3-spool manifold - see HYDRAULIC MANIFOLDS

### HYDRAULIC MANIFOLDS (580/585)

Description	P/N	PRICE
<b>2-SPOOL MANIFOLDS</b> to quick-connect loader to tractor		
- Flat Face Hydra-Snap™ Manifold	MA-382	INC
<b>*3-SPOOL MANIFOLDS</b> to quick-connect loader to tractor		
- Flat Face Hydra-Snap™ Manifold	MA-383	Add 431
Level UP Advantage (Reg. \$922.00)	LV-UP	Add 500
Comfort Ride	CRS-750	Add 888

### BUCKET UPGRADES - FM-580

BUCKETS	P/N	PRICE
98" Lg Cap. Bucket w/Bolt-On Blade	98Q7C29B	INC
108" Lg Cap. Bucket w/Bolt-On Blade	108Q7C32B	Add 194

### SPECIALTY BUCKETS

Z-47 Feeder Bucket	Z-47	3,800
Feed Bunk Bucket	FBB-112	1,578
Fork Bucket	FB-42	800
Tine Bucket	TB-38	1,250
Sabretooth for Tine Bucket	GF-32	650

### ATTACHMENTS - FM-580

HAY HANDLING	P/N	PRICE
2-Prong Bale Spear	SP-72	675
3-Prong Bale Spear	SP-76	725
4-Prong Bale Spear	SP-74	775
4-Tine Double Bale Spear	SP-2B	1,200
Stack Saver I	SS-I	750
Stack Saver II - 3	SS-II-3	800
Bale Handler	BH-15	4,250
Squeezer™ (Requires P-7 - See pg. 47)	SQ-80	1,800

### MATERIAL HANDLING

	P/N	PRICE
Brush Crusher	BC-6000	2,000
Brush Crusher	BC-8200	2,500
84" Cat Claw 3-D Grab Fork	GF-184-3D	2,750
96" Cat Claw 3-D Grab Fork	GF-196-3D	3,000
42" Fork Lift	FL-42/C-103	900
48" Fork Lift	FL-48/C-103	950
Extendable Boom	EB-34	1,000

### ADDITIONAL ATTACHMENTS

	P/N	PRICE
96" V-Plow	VP-96/C-2	1,450
96" Dozer Blade	DB-96	1,250
120" Dozer Blade	DB-120	1,750
- Top Extension for Dozer Blade	DB-*TC	Add 750
120" Snow Scraper	SBB-10	2,000
120" Snow Scraper w/Poly Blade	SBB-10-P	2,600
144" Snow Scraper	SBB-12	2,400
144" Snow Scraper w/Poly Blade	SBB-12-P	3,120
- Top Extension for Snow Scraper	SBB-*TC	Add 750

### ADAPTER OPTIONS

	P/N	PRICE
Snap-Att Adapters Weld on-Set (2)	C-2	110
Snap-Att Adapters-Bolt on-Set (2)	C-3	120
Snap-Attach Synchronizer	QCS-700	98



Prices and Specifications may be subject to change without notice. Prices do not include shipping or setup.

# LOADERS



Prices Effective as of 1-21

## SPECIALTY LOADERS

up to **160** HP up to **130**  
2WD 4WD

### WL-44

**BASE PACKAGE** ..... **\$10,094**

Footnotes found in Bracket Chart

The WL-44 fits 2WD tractors and some 4WD tractors. It has mechanical self-leveling and added lift capacity. See WL-42 for attachments.

**WL-44 Base Package:**

- 3" Bucket & Lift Cylinders
- Mechanical Self-Leveling
- Hydraulic Power-Mount™
- Snap-Attach™ System
- Standard Bracket Set & Hose Kit
- MA-40 Hydraulic Manifolds
- Bucket Gauge Rod
- 84" Large Capacity Bucket (84Q425)

LIFT CAPACITY	2500 psi   3000 psi
31.5" from Pin	4000   4800
At Pivot Pin	5860   7025
LIFT HEIGHT	14'   168"
PKG WEIGHT	2359#
COLOR*	Westendorf Red

\*Custom Paint Colors Available. Call for Pricing.

up to **160** HP up to **130**  
2WD 4WD

### WL-61

**BASE PACKAGE** ..... **\$12,324**

Footnotes found in Bracket Chart

Built for super performance and years of use. The WL-61 works well on wider tractors like the 7000 Allis, Massey & International V-8 tractors. See WL-64 for attachments.

**WL-61 Base Package:**

- 3" Bucket & Lift Cylinders
- Hydraulic Power-Mount™
- Snap-Attach™ System
- Standard Bracket Set & Hose Kit
- MA-40 Hydraulic Manifolds
- Bucket Gauge Rod
- 84" Large Capacity Bucket (84Q425)

LIFT CAPACITY	2500 psi   3000 psi
31.5" from Pin	7025   8400
At Pivot Pin	10,255   12,300
LIFT HEIGHT	13' 8"   164"
PKG WEIGHT	2324#
COLOR*	Westendorf Red

\*Custom Paint Colors Available. Call for Pricing.

up to **240** HP up to **225**  
2WD 4WD

### WL-64

**BASE PACKAGE** ..... **\$14,827**

Footnotes found in Bracket Chart

The WL-64 loader is ideal for a heavy hay handler with its 15' lift height and standard mechanical self-leveling feature. It fits many 4WD tractor models.

**WL-64 Base Package:**

- 3" Bucket & Lift Cylinders
- Hydraulic Power-Mount™
- Mechanical Self-Leveling
- Snap-Attach™ System
- Standard Bracket Set & Hose Kit
- MA-40 Hydraulic Manifolds
- Bucket Gauge Rod
- 84" Large Capacity Bucket (84Q425)

LIFT CAPACITY	2500 psi   3000 psi
31.5" from Pin	3875   4650
At Pivot Pin	5700   6850
LIFT HEIGHT	15'   180"
PKG WEIGHT	3045#
COLOR*	Westendorf Red

\*Custom Paint Colors Available. Call for Pricing.

**For Versatile Bi-Directional Tractors**

### WL-576

**BASE PACKAGE** ..... **\$11,132**

Footnotes found in Bracket Chart

Designed specifically for a Ford Bi-Directional tractor, the WL-576's heavy duty construction complements the tractor well. See TA-76 for attachments.

**WL-576 Base Package:**

- 2-1/2" Bucket Cylinders
- 3" Lift Cylinders
- Hydraulic Power-Mount™
- Snap-Attach™ System
- Standard Bracket Set & Hose Kit
- MA-40 Hydraulic Manifolds
- Bucket Gauge Rod
- 84" Large Capacity Bucket (84Q725)

LIFT CAPACITY	2500 psi   3000 psi
31.5" from Pin	4600   5400
At Pivot Pin	6590   7900
LIFT HEIGHT	12' 6"   150"
PKG WEIGHT	1560#
COLOR*	Stone Black

\*Custom Paint Colors Available. Call for Pricing.

**For JD 8630 4WD & Similar Tractors**

### TA-6000

**PACKAGE PRICE** ..... **CALL**

**TA-6000 Package:**

The TA-6000 is designed for larger tractors like the JD 8630. It is a true powerhouse loader. Considering the size of this loader, the ability to Power-Mount™ and use quick on and off attachments is truly amazing.

LIFT CAPACITY	CALL
LIFT HEIGHT	14' 5"   173"
COLOR*	Stone Black

\*Custom Paint Colors Available. Call for Pricing.

Call for Custom Quote on the TA-6000

**For JD 8850 4WD & Similar Tractors**

### WL-7000

**PACKAGE PRICE** ..... **CALL**

**WL-7000 Package:**

Designed for strength, power and comfort, the WL-7000 is practical and efficient for year round use. Designed for JD8850 and similar tractors. Considering the size of this loader, the ability to Power-Mount™ and use quick on and off attachments is truly amazing.

LIFT CAPACITY	CALL
LIFT HEIGHT	15'   180"
COLOR*	Westendorf Red

\*Custom Paint Colors Available. Call for Pricing.

Call for Custom Quote on the WL-7000



# LOADERS

Prices Effective as of 1-21



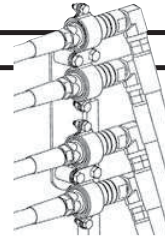
## MANIFOLD OPTIONS



### QUICK CONNECT MANIFOLDS

All Westendorf loaders include one of the following types of quick-connect manifolds. The manifold is located at the mid-section of the tractor to allow easy access to the hydraulic hoses for faster, cleaner and hassle-free connections when mounting or dismantling your front end loader.

*It eliminates the frustrating hose routing to back of tractor and comes in both 4 and 6 Line models with either standard or under-pressure couplers.*



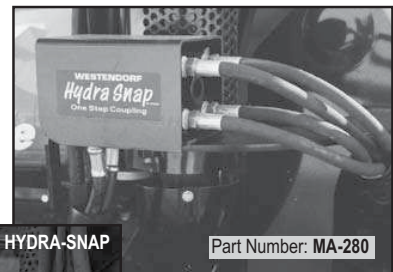
### STANDARD MANIFOLDS

P/N	Spool	Description	Price
MA-40	2	Standard Pressure Couplers (4 Line)	135
MA-80	2	Under Pressure Couplers (4 Lines)	223
MA-43	3	Standard Pressure Couplers (6 Lines)	192
MA-83	3	Under Pressure Couplers (6 Lines)	276

### HYDRA-SNAP™ MANIFOLDS

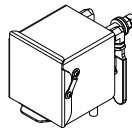
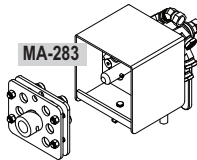
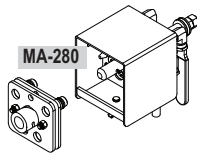
Make hydraulic hose connections easy with a Hydra-Snap™ multi-hose coupling manifold. It's environmentally friendly, easy to install, simple to use, and the space saving design permits use in many locations and different applications such as planters, disc plows, snow blowers and balers.

*HYDRA-SNAP: Integrates collar style couplers in a self-aligning, keyed plate to prevent getting the hoses mixed up. Options: Dust cover and Level-Up valve. (MA-280LU & 283LU)*



**NEW**

*FLAT-FACE HYDRA-SNAP: feature high pressure flat face couplers with NO-DRIP connection. They are self-storing and include a dust cover to keep hydraulic connections clean when not in use. Also available with an optional integrated electronic connection.*



**LM-185 KIT**  
for 2-Spool Models

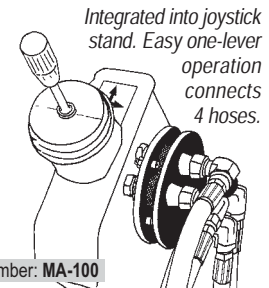
**LM-285 KIT**  
for 3-Spool Models  
(not shown)



FLAT FACE HYDRA-SNAP

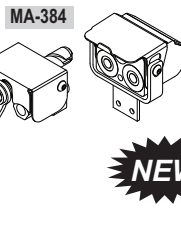
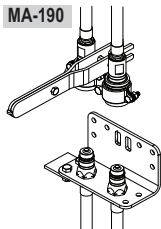
Part Number: MA-380

Part Number: MA-280

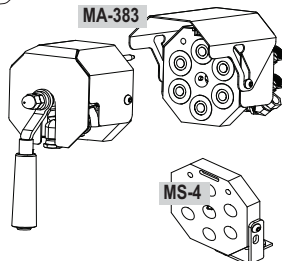
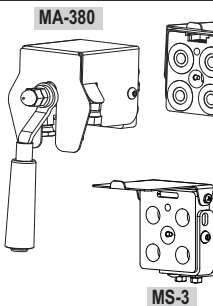


*Integrated into joystick stand. Easy one-lever operation connects 4 hoses.*

Part Number: MA-100



**NEW**



MS-3

MS-4

### HYDRA-SNAP™

P/N	Spool	Description	Price
MA-100	2	Unit for 100 Series Compact Loaders	262
MA-280	2	Hydra-Snap w/Under Pressure Couplers (4 Lines)	352
MA-280LU	2	Hydra-Snap w/Under Pressure Couplers and Integrated Level-Up Valve (4 Lines)	852
LM-185 KIT	2	Optional Dust Cover Kit for MA-280	85
LM-176COM	2	Half with Handle for MA-280 (4 Lines)	215
LM-183COM	2	Half with Handle for MA-280LU (4 Lines)	215
LM-170COM	2	Half without Handle for MA-280/280LU (4 Lines)	215
MA-283	3	Hydra-Snap w/Under Pressure Couplers (6 Lines)	480
MA-283LU	3	Hydra-Snap Unit with Under Pressure Couplers and Integrated Level-Up Valve (6 Lines)	991
LM-285 KIT	2	Optional Dust Cover Kit for MA-283	96
LM-283COM	3	Half with Handle for MA-283LU (6 Lines)	991
LM-276COM	3	Half with Handle for MA-283 (6 Lines)	396
LM-275COM	3	Half without Handle for MA-28 /283LU (6 Lines)	255

### FLAT FACE HYDRA-SNAP™

P/N	Spool	Description	Price
MA-384	1	Flat Face No-Drip Couplers	456
MA-380	2	Hydra-Snap w/Flat Face No-Drip Couplers (4 Lines)	864
MS-3	2	Parking Plate for MA-380	138
LM-326		Optional Integrated Electronic Kit for MA-380	37
LM-308COM	2	Half without Handle for MA-380 (4 Lines)	431
LM-325COM	2	Half with Handle for MA-380 (4 Lines)	518
MA-383	3	Hydra-Snap w/Flat Face No-Drip Couplers (6 Lines)	1,295
MS-4	3	Parking Plate for MA-383	138
LM-326		Optional Integrated Electronic Kit for MA-383	37
LM-408COM	3	Half without Handle for MA-383 (6 Lines)	648
LM-400COM	3	Half with Handle for MA-383 (6 Lines)	777



Prices and Specifications may be subject to change without notice. Prices do not include shipping or setup.

# LOADERS



Prices Effective as of 1-21

## T-LINES, LEVEL UP, COMFORT RIDE & GRILL GUARDS

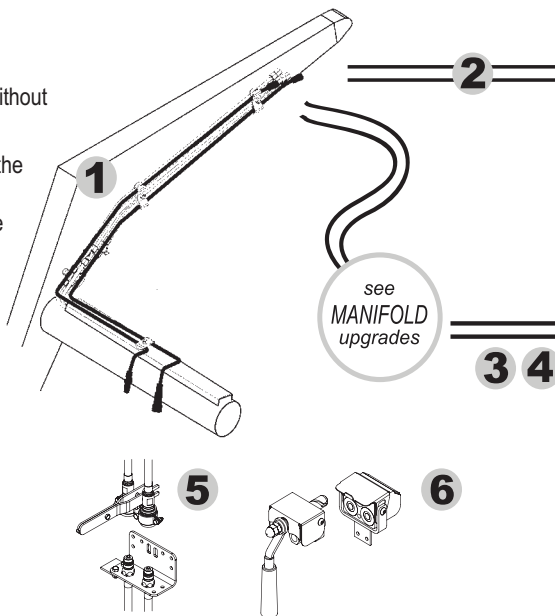
### T- LINE / 3RD FUNCTION ADD-ONS

**T-Line Package:** Consider oil source and select appropriate kit.

**Quick-Connect:** Couple attachment hoses to the loader faster and without mess with the optional 1-spool quick connects.

**Update Manifold:** If kit is being purchased with a loader, upgrade to the 3-spool manifold on loader page, under HYDRAULIC MANIFOLDS. If kit is being purchase without a loader, you can run long hoses to the back of the tractor OR purchase a 3-spool manifold from page 44.

**Update Valve:** If 3-spool valve is required, go to page 52.



### T-LINE UPGRADE PACKAGES

P/N	Description	Price
T	T-Lines Only - mounted w/couplers	180
T2	T-Lines w/couplers and hoses direct to tractor* (1 & 2)	289
T3	T-Lines with couplers and hoses to manifold and from manifold <u>direct to tractor</u> * (1 & 3)	346
T4	T-Lines with couplers and hoses to manifold and from manifold <u>direct to valve</u> (1 & 4)	319

### QUICK-CONNECT OPTIONS for attachment

P/N	Description	Price
MA-190**	Hydra-Snap with Collar Style Couplers (5)	178
MA-384	Hydra-Snap with Flat Face Couplers (6)	456

\* Connecting couplers to tractor is customer's responsibility

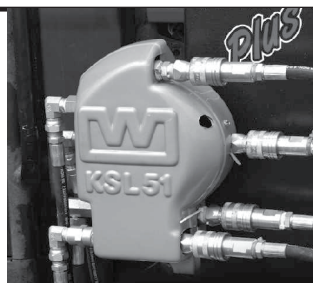
For MAX Series T-Line kit, order from the loader product pages (pp. 12-13)

### LEVEL UP Increase productivity with a Level-UP self-leveling valve



Automatically keep the bucket level while raising. Eliminates operator leveling function and fatigue while increasing productivity. The valve directs a portion of the exhaust oil from the lift cylinder to the bucket cylinder for automatic leveling. The valve works well with a wide range of applications, including buckets, bale spears, forklifts and booms.

P/N: LV-UP Price : 922 Price w/Loader Pkg : 500



### COMFORT RIDE

*Increases operator comfort over rough terrain*

Add Comfort Ride to any loader to absorb the shock and stress put on a tractor while working. Softens sudden jolts and provides smoother operation. Ideal for users who haul hay over open fields or frequently travel through rough terrain to do loader work. Easily turns on or off with the push of a button to match your task at hand.

P/N: CRS-750 Price: 888



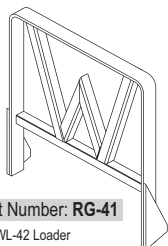
### GRILL GUARD PACKAGES

Protect your tractor with a heavy-duty grill guard. Made from high quality steel and the smooth welds offer a finished look. These easy to install grill guards will help shield your grill from large objects such as hay bales or the edge of feed trucks.

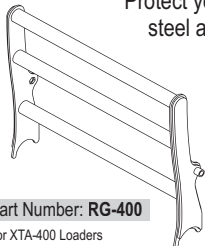
Package Includes: Grill guard and mounting hardware.



Part Number: **RG-41**  
For WL-42 Loader  
Price: 103



Part Number: **RG-400**  
For XTA-400 Loaders  
Price: 524



Part Number: **RG-26**  
For TA-26 Series Loaders  
Price: 103



Part Number: **RG-46**  
For TA-46 Series Loaders  
Price: 99



# LOADERS

Prices Effective as of 1-21



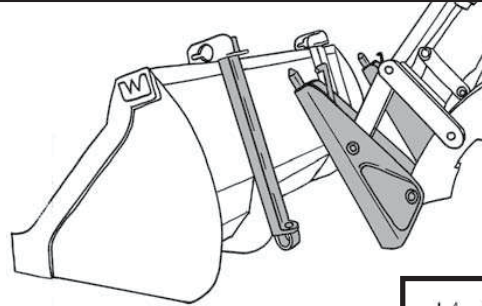
## SNAP-ATTACH™ QUICK ATTCH

### SNAP-ATTACH™

The original quick-attach introduced to the loader industry in the 70's has stayed consistent and reliable for over 40 years.

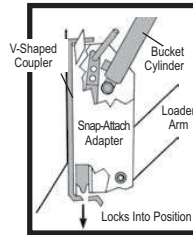
#### Snap-Attach™ Advantages:

- Self-aligning for trouble free connection
- No-Wear V-Shape design stays tight over time
- Close placement to pivot pin increases power and bucket action
- Easy to Use: hook upper pins into top holes of attachment, lift off the ground and roll back to Snap-Lock the attachment into place.
- Simple Design has less components to wear over time, is easier to maintain and costs less.



#### SNAP-LOCK FEATURE

This patented feature locks on automatically using the bucket cylinders. Just drive into the self-aligning V-shaped couplers, roll back bucket and hear pins lock into place. No tools, no prying pins or added trips off tractor to secure attachment.



### LOADER REFERENCE

Use this chart to reference the loader model with the optional quick couplers available.

LOADER MODEL	WESTENDORF FOR LOADER	SKID-STEER FOR LOADER	EURO COUPLER FOR LOADER
<b>100 SERIES</b>			
TA-111	C-8	C-22	N/A
TA-140	C-8	C-22	N/A
TA-160	C-16	C-23	N/A
TA-170	C-8	C-22	N/A
TA-175	C-8	C-22	N/A
TA-180	C-8	C-22	N/A
TA-185	C-8	C-25	N/A
<b>MAX SERIES</b>			
MAX420	C-40	C-65*	C-53
MAX440	C-40	C-65*	C-54
<b>WL SERIES</b>			
WL-20	C-6	C-65*	C-63
WL-21	C-6	C-31	C-63
WL-23	C-6	C-65*	C-63
WL-24	C-4B	C-65*	C-53
WL-30	C-1	C-65*	C-64
WL-40	C-1	C-65*	C-64
WL-42*	C-1	C-65*	C-64
1" Lower Pin			
WL-42**	C-5	C-65*	C-64
1.25" Lower Pin			
WL-44	C-4B	C-65*	C-54
WL-61*	C-1	C-65*	C-64
1" Lower Pin			
WL-61**	C-5	C-65*	C-64
1.25" Lower Pin			
WL-64	C-4B	C-65*	C-54
WL-576	C-5	C-65*	C-64
<b>TA SERIES</b>			
TA-25	C-9	C-20	C-63
TA-26	C-4B	C-30	C-53
TA-26+	C-4B	C-30	C-53
TA-2612	C-4B	C-30	C-53
TA-28	C-5	C-31	C-63
TA-28+	C-4B	C-30	C-53
TA-29	C-4B	C-30	C-53
TA-45	C-4B	C-65*	C-54
TA-46	C-4B	C-65*	C-54
TA-48	C-4B	C-65*	C-54
TA-76	C-4B	C-75*	C-57
TA-77	C-4B	C-75*	C-57
<b>XTA SERIES</b>			
XTA-400	C-4B	C-65*	C-54
XTA-700	C-4B	C-75*	C-57
<b>CUSTOM CONTOUR</b>			
CC-330	C-4B	C-50	C-54
CC-340	C-4B	C-65*	C-54
CC-360	C-4B	C-65*	C-54
CC-370	C-4B	C-75*	C-57
<b>FREEDOM MOUNT</b>			
FM-540	C-40	C-65*	C-63
FM-550	C-40	C-65*	C-63
FM-560	C-40	C-65*	C-63
FM-570	C-40	C-75*	N/A
FM-580	C-48	C-75*	N/A
FM-585	C-48	N/A	N/A

### CONVERT "OTHER BRAND" LOADERS TO SNAP-ATTACH™

The Universal Conversion Kit makes it easy to convert a loader to the Snap-Attach™ system. With a 40+ year track record of consistent design and reliability, it will be the last quick-attach system you need to buy.

#### UNIVERSAL SNAP-ATTACH

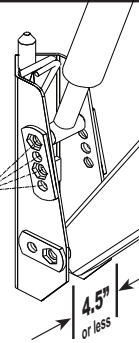
For OTHER BRAND Loaders		Price
C-15	Universal Snap Attach Adapter	650
<b>Bushing Conversion Kits</b>		
QC-1580 KIT	Converts 1" Std Pin to 1-1/8" (QTY. 2)	37
QC-1581 KIT	Converts 1" Std Pin to 1-1/4" (QTY. 2)	37
QC-1582 KIT	Converts 1" Std Pin to 1-1/2" (QTY. 2)	37
QC-1583 KIT	Converts 1" Std Pin to 1-5/8" (QTY. 2)	37
QC-1584 KIT	Converts 1" Std Pin to 1-3/8" (QTY. 2)	37
QC-1585 KIT	Converts 1" Std Pin to 1-3/4" (QTY. 2)	37

#### Conversion Kit Contents:

- (2) C-15 Universal Couplers (1" pins)
- (2) C-2 Female Adapters for bucket

SEE Optional Bushing Kits to adapt unit to various pin diameters

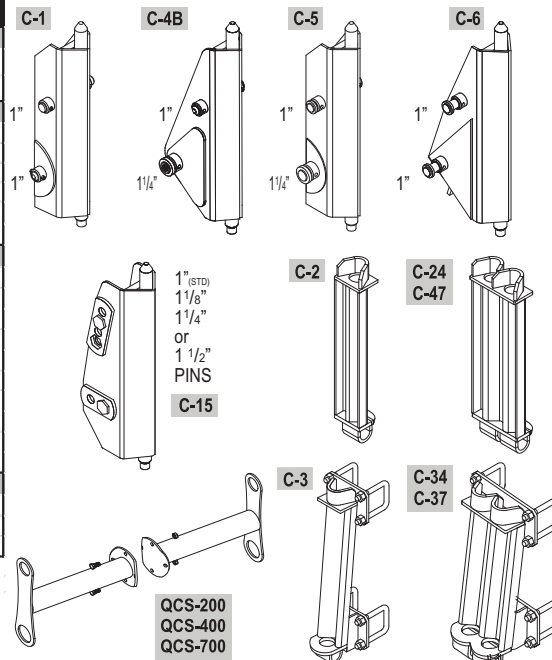
NOTE: Loader arm ends must be 4.5" or less in width and cylinders must be located on the top of the arms for the coupler to fit.



### SNAP-ATTACH™ SYSTEM

CONVERSION KITS - Adapters & Couplers		Price
C-12	WL-40 Kit (C-1's & C-2's)	539
C-62	WL-20 / WL-21 Kit (C-6's & C-2's)	585
<b>MALE COUPLER FOR LOADER - SET OF 2</b>		
C-1	Snap-Attach Coupler	429
C-4B	Snap-Attach Coupler	550
C-5	Snap-Attach Coupler	460
C-6	Snap-Attach Coupler	475
C-15	Universal Snap-Attach Coupler Other brand loaders (C-15's)	650
<b>FEMALE ADAPTERS - SET OF 2</b>		
C-2	Weld-On Adapters	110
C-24	Double Weld-On Adapters Share Attachments 20 to 40 Series	180
C-47	Double Weld-On Adapters Share Attachments 40 to 70 Series	346
C-3	Bolt-On Adapters**	110
C-34	Double Bolt-On Adapters** Share Attachments 20 to 40 Series	180
C-37	Double Bolt-On Adapters** Share Attachments 40 to 70 Series	346
<b>SYNC BAR - To Keep Couplers Aligned</b>		
QCS-200	Synchronizer for 20 Series	75
QCS-400	Synchronizer for 40 Series	86
QCS-700	Synchronizer for 70 Series	98

\*For TA-26+, 26-12, 28+, 29, 48, XTA's, CC's & FM's  
\*\*Includes U-Bolts for Installation



Prices and Specifications may be subject to change without notice. Prices do not include shipping or setup.

\* Adapter Conversion Plate

# LOADERS

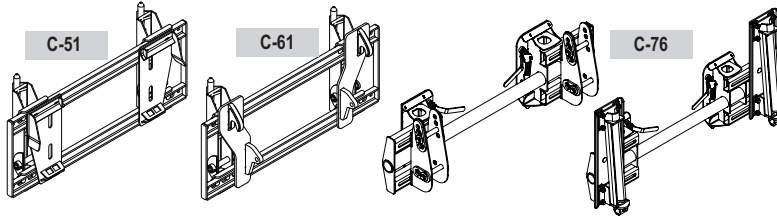
Prices Effective as of 1-21



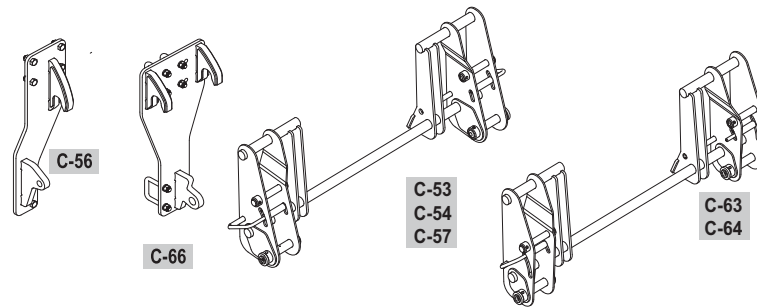
## QUICK ATTACH - PIN TYPE - MISC ADAPTERS

### ADAPTER & COUPLER CONVERSIONS

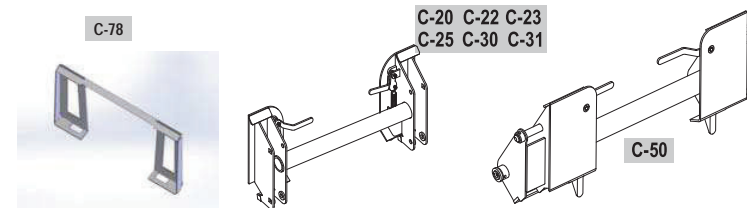
Share attachments between different loaders or skid-loaders easily without having to modify your attachment line.



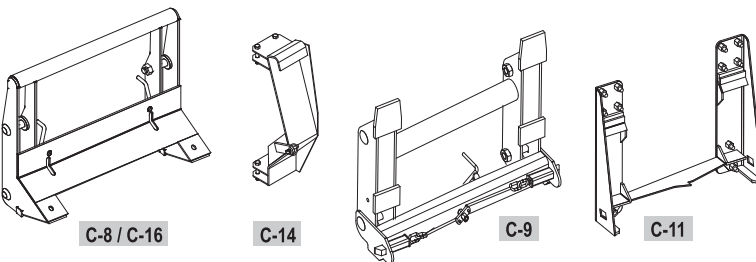
ADAPTER CONVERSIONS		
P/N	Description	Price
C-51	Skid Steer to Westendorf 20/40 Series Attachment w/ Snap-Attach	800
C-61	Euro Style to Westendorf 20/40 Series Attachment w/Snap-Attach	800
C-76/QC-7607	Non-Westendorf Attach OR Pin Type to Skid Steer Attachments	700
C-76/QC-7627	Westendorf Snap-Attach to Skid Steer Attachments	700



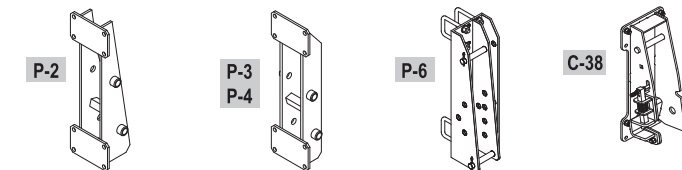
EURO COUPLERS & ADAPTERS		
MALE COUPLER FOR LOADER		Price
C-53	Euro Coupler for Westendorf Loader w/bucket linkage (20 Series)	600
C-54	Euro Coupler for Westendorf Loader w/bucket linkage (40 Series)	761
C-57	Euro Coupler for Westendorf Loader w/bucket linkage (70 Series)	862
C-63	Euro Coupler-Westendorf Loader without bucket linkage (20 Series)	761
C-64	Euro Coupler-Westendorf Loader without bucket linkage (40 Series)	761
FEMALE ADAPTERS - SET of 2		
C-56	Euro Adapter - Global 1	254
C-66	Euro Adapter - Global 2	294



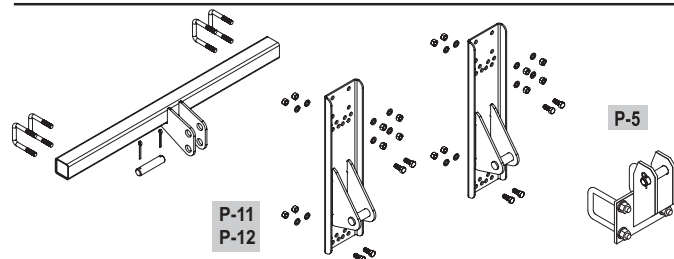
SKID STEER COUPLERS & ADAPTERS		
MALE COUPLER FOR LOADER		Price
C-20 C-22 C-23 C-25 C-30 C-31	Skid Steer Coupler	646
C-50	Skid-Steer Coupler	650
FEMALE ADAPTERS - SET of 2		
C-78	Skid-Steer Adapters	135



QUICK ATTACH SYSTEMS		
MALE COUPLERS FOR LOADER		Price
C-8	Quick Attach Coupler For TA-111/TA-140/TA-170/TA-180	314
C-16	Quick Attach Coupler For TA-160	364
C-9	Quick Attach Coupler For TA-25	281
FEMALE ATTACHMENT ADAPTERS		
C-14	Quick Attach Adapter For use with Couplers C-8 and C-16	429
C-11	Quick Attach Adapter For use with Coupler C-9	205



PIN & OTHER ADAPTERS		
FEMALE ADAPTERS - SET of 2		Price
P-2	Pin-Type - Weld-On for WL-21	289
P-3	Pin-Type - Bolt-On for WL-42	362
P-4	Pin-Type - Weld-On for WL-42	309
P-6	Pin-Type - Bolt-On For other brands	401
C-38	JD Adapter (640, 740, 741)	650
P-7	Extension Plate Adapts Narrow Attachments to 70 Series Width	322



3-POINT CONVERSION KITS		
P/N	Description	Price
P-5	3-Point Hitch Brackets (Set of 3) Mounts Most Attachments to 3-Point	199
P-11	3-Point Hitch Brackets Welds or Bolts to Attachment	456
P-12	3-Point Hitch Brackets U-Bolts for Frame Style Attachments	446



Prices and Specifications may be subject to change without notice. Prices do not include shipping or setup.

# LOADERS

Prices Effective as of 1-21



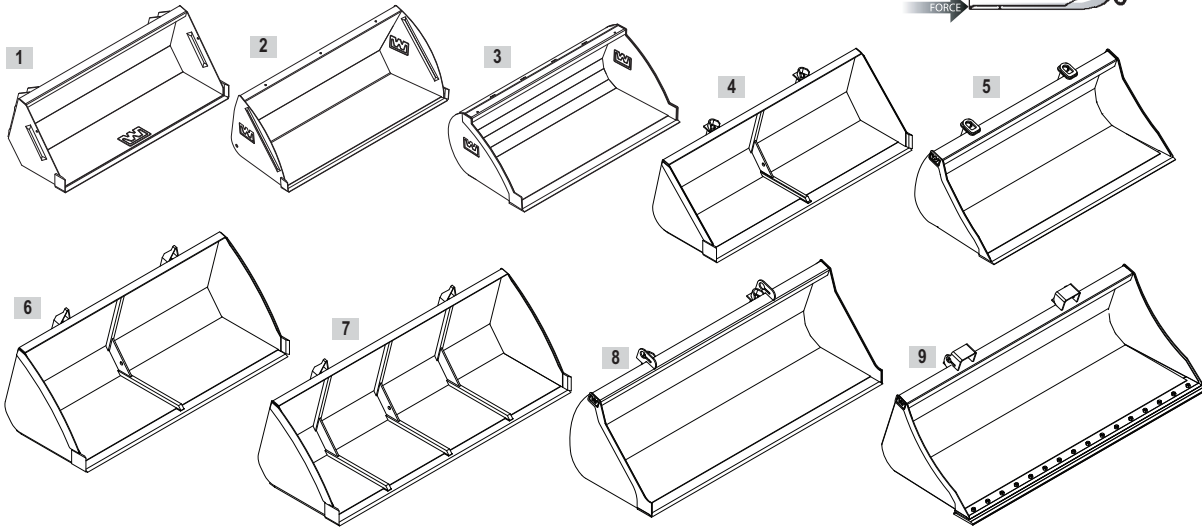
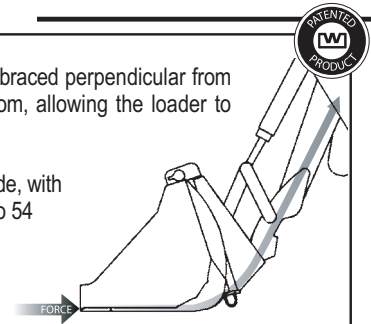
## REPLACEMENT LOADER BUCKETS

**WESTENDORF BUCKETS** are built with the highest quality components that will hold-up over time and through many demanding tasks.

Since we've been manufacturing loaders, our buckets have been the best in the industry. The exclusive patented double tapered bucket shape is only available from Westendorf. It allows material to dump freely and easily.

All Westendorf buckets are braced perpendicular from the cutting edge on the bottom, allowing the loader to absorb the shock of digging.

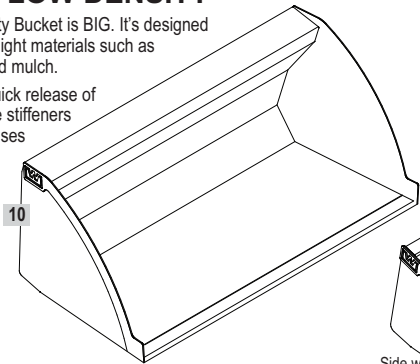
Available from 36" to 120" wide, with capacities from 4 cubic feet to 54 cubic feet.



### HIGH VOLUME LOW DENSITY

This High Volume Low Density Bucket is BIG. It's designed to carry huge loads of lightweight materials such as wood chips, chicken feed, and mulch.

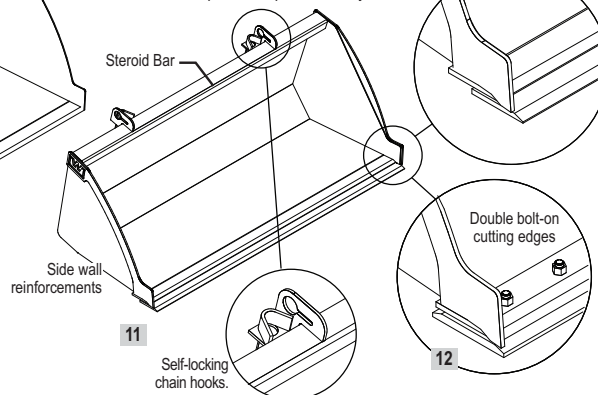
The tapered design allows quick release of materials and the arched side stiffeners add extra strength and increases capacity. The bucket is 96" wide with a whopping 2.5 cu. yd. capacity.



### HEAVY DUTY HIGH CAPACITY

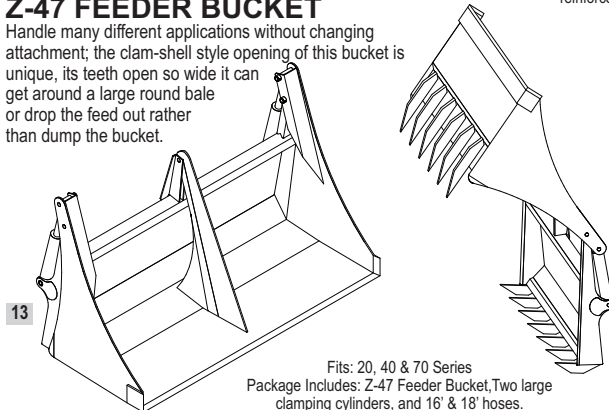
The strength, durability, and patented design makes the HDHC buckets a coveted tool for those who do serious material handling jobs. Comes in sizes from 84"-108" and capacities up to 1.7 cu. yds.

Two thick beveled high-strength double blades welded to bucket



### Z-47 FEEDER BUCKET

Handle many different applications without changing attachment; the clam-shell style opening of this bucket is unique, its teeth open so wide it can get around a large round bale or drop the feed out rather than dump the bucket.

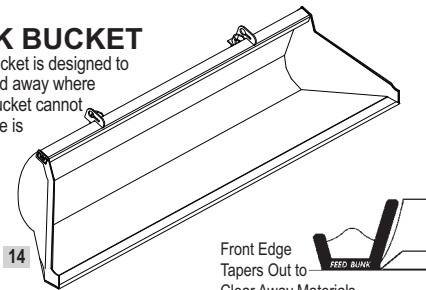


Fits: 20, 40 & 70 Series  
Package Includes: Z-47 Feeder Bucket, Two large clamping cylinders, and 16' & 18' hoses.

### FEED BUNK BUCKET

This unique shaped bucket is designed to clear the snow and mud away where your regular shaped bucket cannot reach. What's also nice is that this shape doesn't prevent its full use as a regular bucket.

Fits: 20, 40 & 70 Series



Front Edge Tapers Out to Clear Away Materials



# LOADERS



## REPLACEMENT LOADER BUCKETS

### BUCKET REFERENCE & ADAPTER CHART

- Order and easily customize a quality constructed Westendorf bucket for any loader.
- Quickly reference the chart below to identify which buckets will work with your existing loader.
- Shop-at-a glance by durability, capacity, width and adapter style.
- Choose from No Adapters, Snap-Attach, Skid-Steer or Euro Style adapters.

#### Custom Bucket Options:

- Bucket Teeth & Rake Teeth - Page 50
- Back Drag Blades - Page 50
- Dual Changer MAX - Page 52
- Bucket Mount Bale Spear - Page 59

ADAPTER REFERENCE ON PAGES 46-47								100	WL	TA SERIES	XTA	CUSTOM	FREEDOM	MAX				
BUCKET STYLE REF. NO.	Large Capacity	Heavy Duty	No Rib	Double Blade	Struck Capacity	Heaped Capacity	PART NUMBER	WIDTH (Inches)	SNAP-ATTACH	NO ADAPTERS	SKID-STEER OR EURO ATTACH	100	WL	TA SERIES	XTA	CUSTOM	FREEDOM	MAX
												SERIES	SERIES	SERIES	SERIES	CONTOUR	MOUNT	SERIES
1	✓				4 ft.	5 ft.	48P604	48	409	354								
1	✓		✓		5 ft.	6 ft.	54P605	54	450	395								
2	✓		✓		9 ft.	12 ft.	60Q109-SB	60	544	489								
4	✓		✓		12 ft.	14 ft.	60Q512	60	623	568								
2	✓		✓		10 ft.	13 ft.	66Q110-SB	66	584	529								
3	✓		✓		14 ft.	17 ft.	66QS14	66		676	731							
2	✓		✓		12 ft.	15 ft.	72Q112-SB	72	608	553								
4	✓				14 ft.	19 ft.	72P214	72	1,038	983	1,199							
4	✓				14 ft.	19 ft.	72Q214	72	1,038	983	1,199							
4	✓				14 ft.	17 ft.	72Q514	72	739	684								
3	✓		✓		15 ft.	19 ft.	72QS15	72		739	794							
8	✓	✓	✓		16 ft.	20 ft.	72Q416	72	1,070	1,015	1,231							
4	✓				16 ft.	22 ft.	84Q216	84	1,127	1,072	1,288							
8	✓	✓	✓		18 ft.	23 ft.	84Q418	84	1,163	1,108	1,324							
5	✓	✓	✓		20 ft.	25 ft.	84Q220	84	1,163	1,108	1,324							
5	✓	✓	✓		20 ft.	25 ft.	84Q420	84	1,163	1,108	1,324							
6	✓				25 ft.	1.2 yd.	84Q225	84	1,231	1,176	1,392							
6	✓				25 ft.	1.2 yd.	84Q425	84	1,231	1,176	1,392							
8	✓	✓			27 ft.	1.2 yd.	84Q427	84	1,277	1,222	1,438							
12	✓	✓	✓	✓	31 ft.	1.5 yd.	84Q231B	84	1,770	1,715	1,931							
12	✓	✓	✓	✓	31 ft.	1.5 yd.	84Q231W	84	1,603	1,548	1,764							
11	✓	✓	✓	✓	31 ft.	1.5 yd.	84Q431B	84	1,770	1,715	1,931							
11	✓	✓	✓	✓	31 ft.	1.5 yd.	84Q431W	84	1,603	1,548	1,764							
9	✓	✓	✓	✓	21 ft.	1.3 yd.	86Q421B	86	1,933	1,878	2,094							
6	✓	✓	✓		25 ft.	1.2 yd.	90Q225	90	1,295	1,240	1,456							
6	✓	✓	✓		25 ft.	1.2 yd.	90Q425	90	1,295	1,240	1,456							
7	✓				29 ft.	1.4 yd.	96Q429	96	1,366	1,311	1,527							
7	✓		✓		29 ft.	1.4 yd.	96Q729	96	1,366	1,311	1,527							
8	✓	✓	✓		30 ft.	1.4 yd.	96Q430	96	1,366	1,311	1,527							
8	✓				30 ft.	1.4 yd.	96Q730	96	1,366	1,311	1,527							
12	✓	✓	✓	✓	35 ft.	1.7 yd.	96Q235B	96	2,068	2,013	2,229							
11	✓	✓	✓	✓	35 ft.	1.7 yd.	96Q235W	96	1,806	1,751	1,967							
12	✓	✓	✓	✓	35 ft.	1.7 yd.	96Q435B	96	2,068	2,013	2,229							
11	✓	✓	✓	✓	35 ft.	1.7 yd.	96Q435W	96	1,806	1,751	1,967							
12	✓	✓	✓	✓	35 ft.	1.7 yd.	96Q735B	96	2,068	2,013	2,229							
11	✓	✓	✓	✓	35 ft.	1.7 yd.	96Q735W	96	1,806	1,751	1,967							
10	✓	✓	✓		54 ft.	2.5 yd.	96Q254*	96	1,697	1,642	1,858							
10	✓	✓	✓		54 ft.	2.5 yd.	96Q454*	96	1,697	1,642	1,858							
9	✓	✓	✓	✓	29 ft.	1.5 yd.	98Q429B	98	2,224	2,169	2,385							
9	✓	✓	✓	✓	29 ft.	1.5 yd.	98Q729B	98	2,224	2,169	2,385							
9	✓	✓	✓	✓	32 ft.	1.75 yd.	108Q732B	108	2,418	2,363	2,579							
9	✓	✓	✓	✓	29 ft.	1.5 yd.	98Q7C29B	98	2,224	2,169	2,385							
9	✓	✓	✓	✓	32 ft.	1.75 yd.	108Q7C32B	108	2,418	2,363	2,579							
9	✓	✓	✓	✓	32 ft.	1.75 yd.	108Q8C32B	108	2,418	2,363	2,579							
7	✓				33 ft.	1.6 yd.	108Q733	108	1,544	1,489	1,705							
<b>SPECIALTY BUCKETS</b>																		
13	✓				33	1.6 yd.	Z-47	84	3,800	3,745	3,920							
14	✓	✓	✓		28	1.4 yd.	FBB-112	112	1,578	1,523	1,739							

\* High Volume - Low Density



# LOADERS



Prices Effective as of 1-21

## BUCKET OPTIONS

### HEAVY DUTY BUCKET TEETH

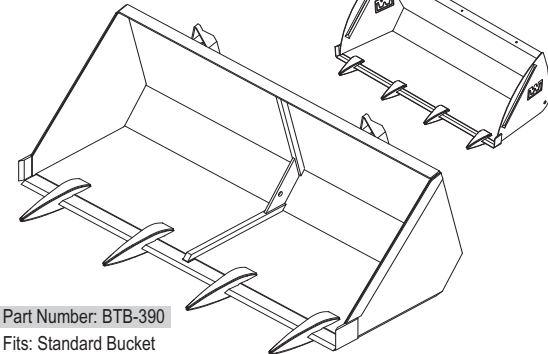
Package Includes: Heavy-duty tooth and mounting hardware.



Just slip tooth over cutting edge and 2 bolts later you are using them. Add any number of these easy-to-install bucket teeth to the cutting edge for digging, ripping brush, or moving compacted manure and hay mix. Teeth are for both standard bucket and 100 Series buckets.

Part Number: BTB-345

Fits: 100 Series Bucket



Part Number: BTB-390

Fits: Standard Bucket

### HEAVY DUTY BUCKET TEETH

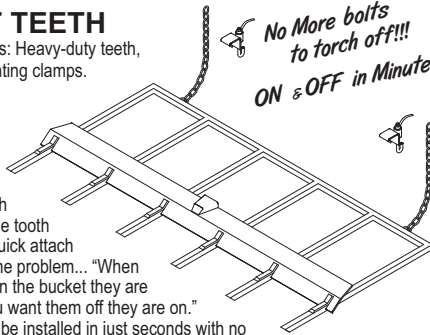
P/N	Description	Price
BTB-345	Bucket Teeth - 100 Series (Set of 2)	174
BTB-390	Bucket Teeth - Standard Bucket (Set of 2)	208

### BUCKET TEETH

Package Includes: Heavy-duty teeth, chains and mounting clamps.

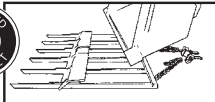
*No More bolts to torch off!!!  
ON & OFF in Minutes*

For 48" to 96" buckets. Built with high-strength steel. Teeth are cut with a 45° taper so the tooth doesn't dig in. Quick attach teeth eliminate the problem... "When you want them on the bucket they are off and when you want them off they are on." These teeth can be installed in just seconds with no tools, plus the clamp is up out of the mess.



### 100 SERIES BUCKET TEETH

Package Includes: Bucket teeth, chains and mounting clamps.



#### QUICK-TACH FEATURE

No Tools Required! Just drive up & insert the cutting edge into teeth, wrap chains under and up to the top rail. Clamp into place.

#### OTHER BRAND BUCKETS

To adapt to other brand buckets, weld the top clamp to the back of the bucket for no tool mounting.

### QUICK-TACH BUCKET TEETH

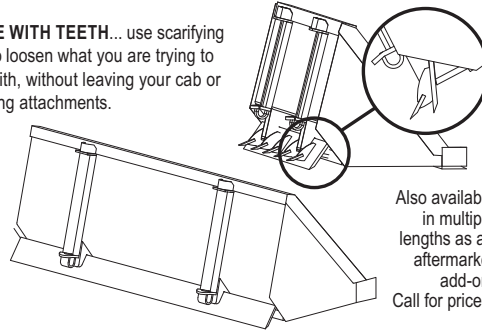
P/N	Width	Fits Buckets	Price
<b>100 SERIES QUICK-TACH BUCKET TEETH - 1" SQUARE TINES</b>			
BTA-48	48"	48P604	220
BT-60	60"	60Q109-SB	250
RQT-60	60"	60Q512 (For TA-25 only)	250
RQT-72	72"	72Q514 (For TA-25 only)	280
<b>QUICK-TACH BUCKET TEETH - 1-1/4" SQUARE TINES</b>			
QT-72	72"	72Q214	650
BT-84	84"	84" & 96" BUCKETS*	650

\* Must specify bucket width when ordering.

### BACK DRAG BLADE

Ideal for users who plan to do frequent dirt work with their loader. Get more power and down pressure so you can cut stronger without cylinder strain; while using the bucket as a depth gauge.

**BLADE WITH TEETH...** use scarifying teeth to loosen what you are trying to work with, without leaving your cab or changing attachments.



Also available in multiple lengths as an aftermarket add-on. Call for prices.

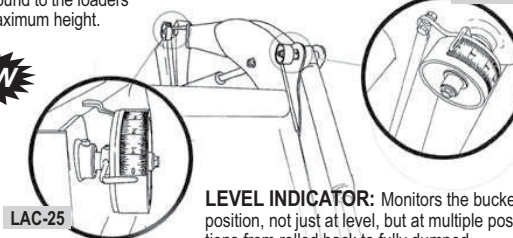
### BACK DRAG BLADES

P/N	Description	Price
BD-72	Back Drag Blade for 72" Bucket	314
BD-84	Back Drag Blade for 84" Bucket	352
BD-90	Back Drag Blade for 90" Bucket	372
BD-96	Back Drag Blade for 96" Bucket	390
BDT-72	Back Drag Blade w/Teeth-72" Bucket	410
BDT-84	Back Drag Blade w/Teeth-84" Bucket	451
BDT-90	Back Drag Blade w/Teeth-90" Bucket	470
BDT-96	Back Drag Blade w/Teeth-96" Bucket	487

### ROTATIONAL INDICATORS

**HEIGHT INDICATOR:** A great feature to speed up repetitive tasks like stacking hay or monitoring loads from the ground to the loaders' maximum height.

LAC-15



LAC-25

**LEVEL INDICATOR:** Monitors the bucket's position, not just at level, but at multiple positions from rolled back to fully dumped.

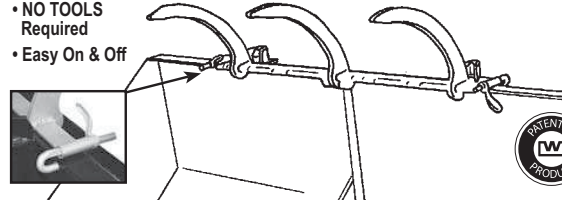
### ROTATIONAL INDICATORS

P/N	Description	Price
LAC-15	Full Range Level Indicator	75
LAC-25	Rotational Height Indicator	60

### RAKE TEETH

Rake down and loosen the front face of the silage pile so you can scoop up just what you need. Rake Teeth are made to come off fast; however, most of the time they can remain on, and they are always there when you need them.

- NO TOOLS Required
- Easy On & Off



### RAKE TEETH

P/N	Description	Price
RK-40	Rake Teeth	170



Prices and Specifications may be subject to change without notice. Prices do not include shipping or setup.

# LOADERS

Prices Effective as of 1-21



## SPECIALTY BUCKETS AND DUAL CHANGER MAX

### DUAL TIRE CHANGER MAX

Makes Changing Dual Tires a

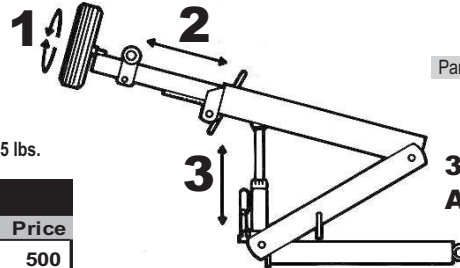
#### “ONE MAN JOB”

- NO TOOLS • 3 WAY EASY ALIGNMENT

Pick up a dual rim & tire from storage, transport it and mount it on your tractor. Easily align & position tire with 3-way alignment!



Part Number: DC-1



**3-WAY ALIGNMENT**

#### SPECIFICATIONS:

Boom Extension: 16" Jack Extension: 12"-14" Capacity: 900 lbs. Weight: 95 lbs.

### DUAL CHANGER MAX

P/N	Description	Price
DC-1	Dual Tire Changer MAX	500

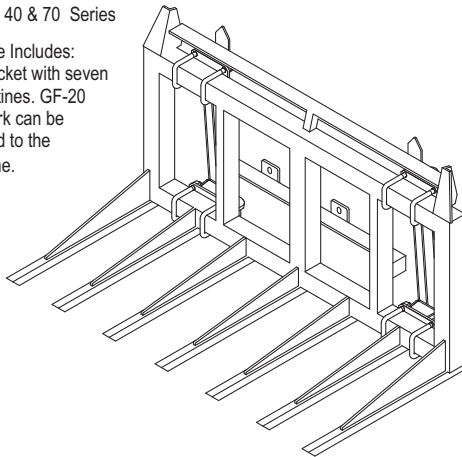
### FORK BUCKET

Part Number: **FB-42**

Bucket Width: 60"

Fits: 20, 40 & 70 Series

Package Includes:  
Fork bucket with seven square tines. GF-20 grab fork can be mounted to the top frame.

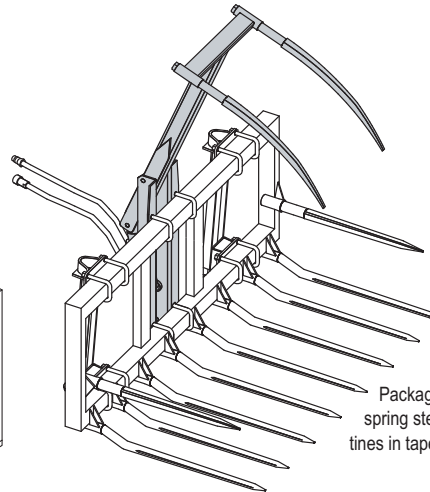


### SABRETOOTH

Part Number: **GF-32**

Fits: Tine Bucket

Package Includes: Sabretooth with two high tensile, forged, curved teeth and 16' & 18' hoses or option A: Steel line hose kit.



### TINE BUCKET

Part Number: **TB-38**

Fits: 20, 40 & 70 Series

Package Includes: Tine bucket with eight spring steel off-set tines and 2 straight side tines in tapered bushings. Show with GF-32 Sabretooth mounted to top frame.

## SPECIALTY BUCKETS & OPTIONS

	WL SERIES		TA SERIES										XTA SERIES		CUSTOM CONTOUR		FREEDOM MOUNT		MAX SERIES											
	WL-21	WL-27	WL-42 / 44	WL-61 / 64	TA-25	TA-26	TA-26 Plus	TA-26-12	TA-28	TA-28 Plus	TA-29	TA-45	TA-46	TA-48	TA-76	TA-77	XTA-400	XTA-700	CC-330	CC-340	CC-360	CC-370	FM-540	FM-550/560	FM-570	FM-580	FM-585	MAX420/420L	MAX440/440L	
<b>FORK/TINE BUCKETS</b>																														
TB-38 <i>Tine Bucket</i>	•	•	•	•	•	•	•	•	•	•	•	•	•	•	•	•	•	•	•	•	•	•	•	•	•	•	•	•	•	•
FB-42 <i>Fork Bucket</i>	•	•	•	•	•	•	•	•	•	•	•	•	•	•	•	•	•	•	•	•	•	•	•	•	•	•	•	•	•	•
GF-32 <i>Sabretooth for Tine Bucket</i>	•	•	•	•	•	•	•	•	•	•	•	•	•	•	•	•	•	•	•	•	•	•	•	•	•	•	•	•	•	•



Prices and Specifications may be subject to change without notice. Prices do not include shipping or setup.

# LOADERS

Prices Effective as of 1-21



## HYDRAULIC PACKAGES

### HYDRAULIC PACKAGES

Buy Westendorf Hydraulic Valve & Joystick packages to fit your needs & budget. The Precision Valve and Joystick Packages (right) are pre-assembled for your convenience. A new addition, the Level UP hydraulic advantage (pg 48), is also offered pre-assembled into the Package. For the ultimate Hydraulic Valve, consider the Programmable Electronic Joystick (below).



**NEW**



**NEW**

JOHN DEERE								
TRACTOR		LOADER SELECTION		MOUNTING BRACKETS			HYD	
MODEL	WD	FIT	LOADER MODEL	FOOTNOTES	BRKT KIT	PACKAGE PRICE	REAR AXLE KIT	
<b>4020</b>								
2		WL-27		AQ	JD2▲	8,467	480	A4
2		WL-42		AQ-BV	JD2▲	9,775	624	A4
2		WL-61			61JD2	11,486	480	A4
2		TA-26		AQ	JD2▲	7,701	480	A4
2		TA-26 Plus		AQ	JD2▲	8,112	480	A4
2		TA-28		AQ	JD2▲	9,215	480	A4
2		TA-28 Plus		AQ	JD2▲	9,725	480	A4

▲ Standard Stock Mounting Bracket  
 □ Recommended Fit(s)  
 Footnotes: See Inside Back Cover  
 Bracket Mounting Kit Number  
 Complete Loader Pkg. Price  
 Rear Axle Kit  
 Optional Valve Package

### DIRECT PLUMB KITS

Ask about the kits available for some tractors that allow quick access to your tractor's hydraulic system. If you'd like to order a direct plumb kit, please check its availability and price with your sales representative when you place your loader order.

The optional valve and joystick package is listed in the bracket chart under the specific tractor and loader model. Refer to the HYD. column and use the matrix below to price the package.

**NOTE:** Please identify the tractor's hydraulic system as open center, closed center or pressure flow compensated (load sensing) before calling to place your order.

	1	2	3	4	5	6		
<b>OC/CC - Open Center/Closed Center</b>								
	Spool Valve	VALVE with HANDLES and Mounting Kit	VALVE with DIRECT JOYSTICK Inc. Mounting Kit	VALVE with REMOTE CABLE JOYSTICK Inc. Mounting Kit	PRECISION VALVE with PRECISION REMOTE JOYSTICK Includes Mounting Kit	PRECISION VALVE with LEVEL-UP PREASSEMBLED & READY TO USE Includes Mounting Kit	ALL ELECTRONIC VALVE with ELECTRONIC JOYSTICK Includes Mounting Kit	CHOOSE JOYSTICK MOUNTING KIT Fender or Floor Mount
A	2 OC/CC	\$728	\$838	\$1311	\$1401	\$1680		<p>FLOOR MOUNT</p>
B	3 OC/CC	\$876	\$980	\$1745	\$1951	\$2550		
<b>PFC - Pressure Flow Compensated</b>								
C	2 PFC				\$2000	\$2487	\$6659	<p>FENDER MOUNT</p>
D	3 PFC				\$2600	\$2944	\$6995	



Prices and Specifications may be subject to change without notice. Prices do not include shipping or setup.

# LOADERS

Prices Effective as of 1-21

## AUTO-DUMP™



### AUTO-DUMP™ PACKAGES Scoop • Scrape • Dig • Dump • Level • Bank • Backfill • Haul and Enjoy!

The Auto-Dump™ Series is a line of buckets, blades, plows, boom and forklift that can be attached to your ATV, Garden Tractor or Commercial Mower. Buckets and attachments are lightweight, yet durable and have a painted charcoal gray finish. The bucket stays level at all times when raising and lowering and its clean open design allows for larger loads. Once the bucket reaches the top, it automatically dumps the load and resets the control to continue digging. For long term reliability and durability, Westendorf uses a ball and screw style actuator, not an electric winch to raise and lower the bucket.

- No auxiliary hydraulics needed
- Mounts on any 3-point hitch
- Heavy-duty operation, but light enough to be shipped rapidly
- Complete line of attachments

**Part Number: WR-10**  
Lift Height: 10" to 16"  
Lift Capacity: 1000 lbs\*

Use with Tractor 3-Point  
Drawbar Adaptor

**Part Number: WR-15**  
Lift Height: 10" to 16"  
Lift Capacity: 1000 lbs\*

Commercial Mowers  
Quick Hitch Adaptor

**Part Number: WR-10**  
Lift Height: 10" to 16"  
Lift Capacity: 1000 lbs\*

Mounting Bracket  
Hydraulic Power Point

**Part Number: WR-10**  
Lift Height: 14" to 24"  
Lift Capacity: 1000 lbs\*

ATV's and Tractors  
Electric Power Point  
Mounting Bracket

**Part Number: WR-20 & WR-30**

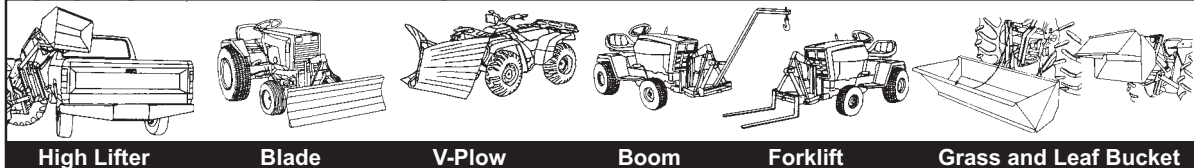
Tractor with 3-Point  
Drawbar Adaptor

**Part #: WR-20/HL-20 or WR-30/HL-30**  
Lift Height: Additional 34"\*

Tractor with 3-Point  
High Lifter

\*Notes on Lift Height & Lift Capacity: The lift capacity of the power point converter, by itself is 1000 lbs. ACTUAL LIFT CAPACITY after installation varies and is based on the load rating of the front suspension of the ATV, Mower or Tractor. The ACTUAL LIFT HEIGHT of the unit varies due to the size and height of the vehicle on which it's installed. If installing the Auto-Dump on garden tractors with a Cat. (1 or 2) 3-Point, add the High Lifter for an additional 34" of lift height.

### AUTO-DUMP™ ATTACHMENTS



### AUTO-DUMP™ ACCESSORIES

<b>Top Spill Guard</b> Increases bucket capacity and prevents spillage and overflow.	<b>Lighting Pkg</b> For projects that run past dark.	<b>Bucket Platform</b> Carry extended loads like square bales or tools.	<b>Edger Plate</b> Remove materials that are up close to buildings.	<b>Barrel Straps</b> Secures items like barrels or firewood in the bucket.	<b>Extended Lift Poles</b> Easily moves picnic tables, garbage bins and more.

### AUTO-DUMP PACKAGES

P/N	Pkg #	Description	Price
WR-1036	1	Auto Dump - 36" Bucket for Cat. (0) 3-point	922
WR-1042	1	Auto Dump - 42" Bucket for Cat. (0) 3-point	941
WR-1545	2	Auto Dump - 45" Bucket for Comm. Mowers	1,403
WR-1560	2	Auto Dump - 60" Bucket for Comm. Mowers	1,526
WR-1036H	3	Auto Dump - 36" Bucket and Hydraulic Lift for Lawn Tractors with Hydraulics	1,742
WR-1042H	3	Auto Dump - 42" Bucket and Hydraulic Lift for Lawn Tractors with Hydraulics	1,750
WR-1036E	4	Auto Dump - 36" Bucket and Electric Lift for ATV's and Lawn Tractors	1,884
WR-1042E	4	Auto Dump - 42" Bucket and Electric Lift for ATV's and Lawn Tractors	1,896
WR-2048	5	Auto Dump - 48" Bucket for Cat. (1) 3-point	1,346
WR-2060	5	Auto Dump - 60" Bucket for Cat. (1) 3-point	1,385
HL-20	6	High Lifter Unit for WR-20 for Cat. (1) units	944
WR-3060	5	Auto Dump - 60" Bucket for Cat. (2) 3-point	1,833
WR-3072	5	Auto Dump - 72" Bucket for Cat. (2) 3-point	1,891
HL-30	6	High Lifter Unit for WR-30 Cat. (2 or 3) units	1,396
WR-4084	p.42	Auto Dump - 84" Bucket Cat. (2 or 3) 3-point	3,735
WR-4096	p.42	Auto Dump - 96" Bucket Cat. (2 or 3) 3-point	3,939

### AUTO-DUMP ATTACHMENTS

P/N	Description	Price
R161	Grass and Leaf Buckets 36" to 60"	153
DM-36	36" Manual Blade	378
DM-48	48" Manual Blade	526
DM-60	60" Manual Blade	636
DA-48E	48" Blade - includes Power Point Electric	1,288
DA-60E	60" Blade - includes Power Point Electric	1,403
DA-48	48" Blade Only	378
DA-60	60" Blade Only	480
3P-E	Power Point Electric	955
VP-45	V-Plow	586
DV-5448	V-Plow & Blade Two-In-One Combination	737
R211	Forklift	150
R171	Boom	211
R172	Forklift & Boom Combination Package	422

### AUTO-DUMP ACCESSORIES

P/N	Description	Price
R153	Top Spill Guard	78
R902	Lighting Package	69
R242	Bucket Platform	149
R131	Edger Plate	23
R904	Barrel Straps	9



Prices and Specifications may be subject to change without notice. Prices do not include shipping or setup.

# LOADERS

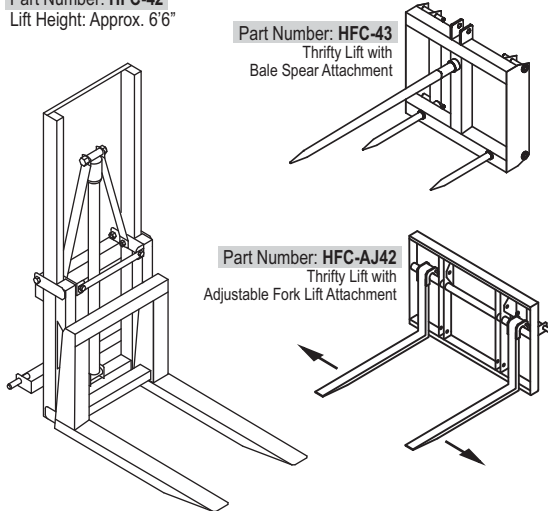
Prices Effective as of 1-21



## 3 PT. ATTACHMENTS

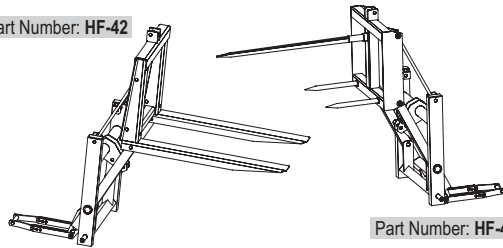
### THRIFTY LIFT for 3-Point

Part Number: HFC-42  
Lift Height: Approx. 6'6"



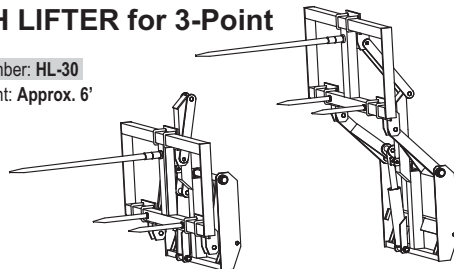
### SCISSORS LIFT for 3-Point

Part Number: HF-42



### HIGH LIFTER for 3-Point

Part Number: HL-30  
Lift Height: Approx. 6'



#### 3-POINT ATTACHMENTS

P/N	Description	Price
<b>THRIFTY LIFT™ for Cat. (2) 3-points</b>		
HFC-42	Thrifty Lift with 42" Pallet Fork	1,281
HFC-AJ42	Thrifty Lift w/42" Adjustable Fork	1,691
HFC-AJ423	Thrifty Lift w/Adjustable 42" Pallet Fork & Bale Spear	2,028
HFC-43	Thrifty Lift with Bale Spear	1,344
HFC-423	Thrifty Lift with 42" Pallet Fork & Bale Spear	1,616
<b>OPTIONAL ACCESSORIES for HFC &amp; HF UNITS</b>		
HF-100	42" Pallet Forks only	364
HF-AJ100	Adjustable 42" Pallet Forks only	774
HF-150	Bale Spear Attachment only	364
P-10	HFC Adapter - adapts Tine Bucket to HFC	80
M-7	Top Link Cylinder (for HFC units only)	410
<b>SCISSORS LIFT (Cat. II 3-Points)</b>		
HF-42	Scissors Lift with 42" Pallet Fork	775
HF-43	Scissors Lift with Bale Spear Attachment	775
HF-423	Scissors Lift with 42" Pallet Fork & Bale Spear	1,115
<b>HIGH LIFTER - BALE SPEAR COMBO (Cat. II 3-Points)</b>		
HL-30/SP-43	High Lifter with Bale Spear	2,031

