



# THE DRIVING FORCE

**BEHIND A GOOD FENCE**

T-Posts • Tent Stakes • Pipe Fence • Sign Posts • Fence Posts • Railroad Ties • Median Dividers

*"Good enough won't do - it must be right." - K.B. Danuser, Founder 1910*





# DRIVE LIKE A PRO

## ONE-PERSON POST DRIVER

### T7



T-post to 7" O.D.  
post/pipe

### T8-RR



T-post to 8" O.D.  
post/pipe or railroad tie

- Jackhammer style power cell offers controlled high-speed driving performance.
- Hydraulic grapple option allows one person to pick up, load, and drive posts.
- Comes standard with a flow control valve. Our flow control valve allows us to run within a wider range of hydraulic requirements, including high flow machines, without accelerated wear on the breaker.
- Additional weight kit option. Fine tune the weight of the driver to match the operating capacity of the vehicle. Increases driving speed up to 50% faster.
- Tool-less driving tool quick change which means no hammer and punch needed to change driving tools.
- Comes standard with a domed driving tool. Flat driving tools and flat railroad tie driving tools (T8-RR only) can also be purchased.
- Post holder with tie down locations for transporting posts/pipe.
- No setup required, it's ready to go to work.
- 1-Year Warranty.

# ACCESSORIES / OPTIONS

## T7 Flat Driving Tool

7.27" ID

PN 196067F



## T7 Domed Driving Tool

7.27" ID

PN 196067

## T8-RR Flat Driving Tool

8.27" ID

PN 196074F



## T8-RR Domed Driving Tool

8.27" ID

PN 196074

## T8-RR Railroad Tie Flat Driving Tool

12.3" ID

PN 196074R



## Additional Weight Kit

Adds 616 lbs. to machine weight which reduces vibration and allows for more efficient driving. Includes 14 weight plates. Increases driving speed up to 50% faster than base unit.

PN 200076



## Grapple Option

May be added to any base model machine for one-person operation

PN 210040 (T7)  
PN 210041 (T8-RR)



## T-Post Adapter

Must be added for driving T-posts.  
Can only be used with Flat Driving Tool.



PN 21149

## T-Post Adapter Domed Driving Tool Kit

Must be added for driving T-posts.  
For use with Domed Driving Tool.

PN 220011



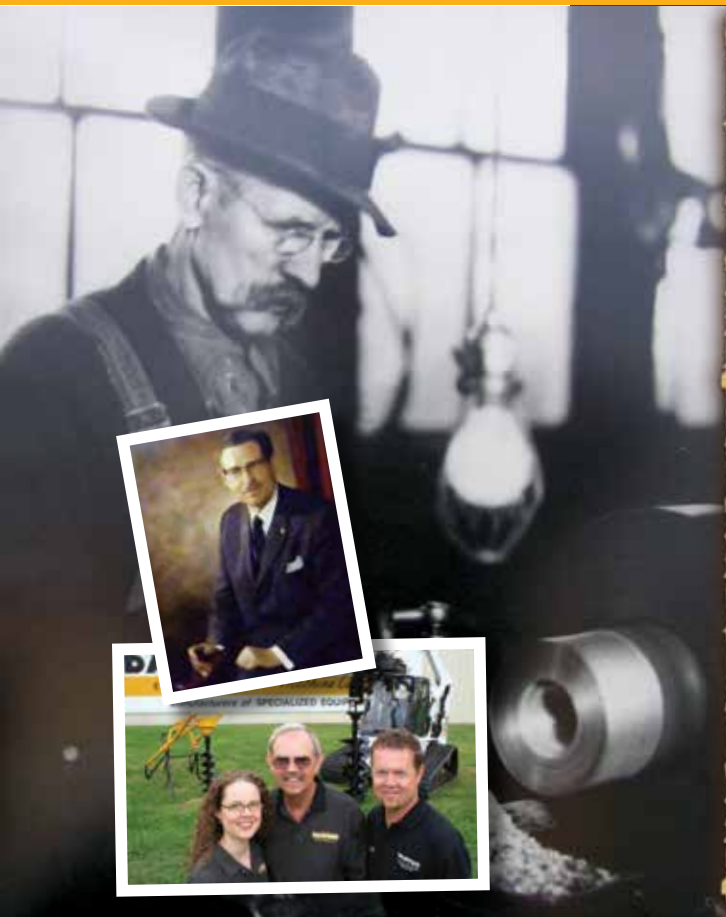


# SPECIFICATIONS



Hornet	Model T7	Model T7 w/ Grapple	Model T8-RR	Model T8-RR w/ Grapple
Base Weight	1,180 lb.	1,461 lb.	1,560 lb.	1,679 lb.
Optional Weight Kit	Up to 616 lb., 14 weight plates (44 lb. each)			
Max. Strikes per Minute	500-900		400-800	
Hydraulic Requirements	2,000 - 3,500 PSI 10-30 GPM		2,200 - 3,500 PSI 13-30 GPM	
Driving Tool Inside Diameter (Max Post Size)	Domed: 7.27" Flat: 7.27"		Domed: 8.27" Flat: 8.27" Railroad Tie (Flat): 12.3"	
Excavator Weight*	9,000 lb. and over		13,500 lb. and over	
Energy Class	750 ft.-lb.		1,150 ft.-lb.	
Mount	Skid-Steer Quick Attach & Excavator (not for front-end loaders)			

*\*Do not exceed the rated operating capacity of your vehicle. The addition of a Hornet adds up to 1,600 lb. of additional weight. Verify that the vehicle has sufficient lifting capacity, in each of the different vehicle positions. On Hornets with a grapple, the post weight will need to be considered as additional weight for lifting capacity considerations.*



## A HISTORY OF INNOVATION

Established in 1910, DANUSER has been family owned and operated by four generations. We have manufactured auger systems since the mid-1940's. With decades of design and manufacturing experience, our machines have stood the test of time. Today our commitment to our customer remains to design and build products that are the benchmark of quality, reliability, and longevity. In the words of our founder K.B. Danuser, "Good enough won't do – it must be right."

DANUSER manufactures several attachments for various equipment, serving several industries worldwide. Please visit [www.danuser.com](http://www.danuser.com) to see our full line of attachments.

Danuser reserves the right to make changes in design, specifications, and prices without notice and without incurring any obligation relating to such changes.

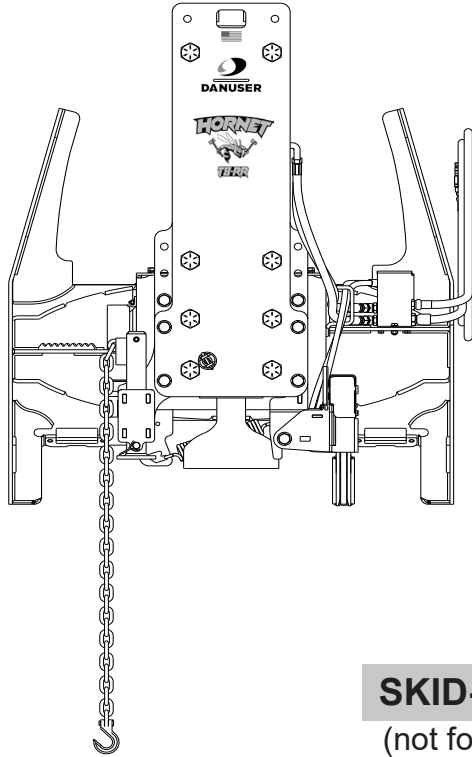




## HORNET SERIES PRICE SHEET

### 1-Year Warranty

**⚠ WARNING** This product can expose you to chemicals known to the State of California to cause cancer and birth defects or other reproductive harm. For more information go to [www.P65Warnings.ca.gov/product](http://www.P65Warnings.ca.gov/product).



Model	Hydraulic Requirements	Impact Rate
T7	2,000 - 3,500 PSI 10 - 30 GPM	500-900 strikes/ minute
T8-RR	2,200 - 3,500 PSI 13 - 30 GPM	400-800 strikes/ minute

### INCLUDED WITH ALL HORNETS

PN	DESCRIPTION
216003	<b>Post Pulling/Depth Gauge Chain</b> Chain that can be used for post pulling, leveling, and as a depth gauge. 84" length.
206101	<b>Filled Nitrogen Bottle</b>
206102	<b>Nitrogen Gas Charging Kit</b>

### SKID-STEER MOUNT

(not for front-end loaders)

PN	DESCRIPTION	WT.	PRICE
214050	<b>Hornet T7</b> Hydraulic jackhammer style driver drives T-post up to 7" diameter posts. Domed Driving Tool 7.27" I.D. Integrated post puller. Includes high abrasion resistant hoses and hose fittings with 1/2" flush-face couplers (ISO 16028).	1,340	\$9,980.00
214050L	<b>Hornet T7 Loaded</b> <b>Includes</b> factory-installed additional weight kit. Increases driving speed up to 50% faster than base unit.	1,950	\$12,600.00
214051	<b>Hornet T7 with Grapple</b> Grapple for one-person operation.	1,465	\$11,035.00
214051L	<b>Hornet T7 with Grapple Loaded</b> <b>Includes</b> grapple and factory-installed additional weight kit. Increases driving speed up to 50% faster than base unit.	2,077	\$13,655.00
214052	<b>Hornet T7 with Tilt</b> Tilt left or right up to 20°. <b>Includes</b> diverter switch and cigarette lighter adapter that connects to a power port or cigarette lighter inside the cab.	1,430	\$13,650.00
214052L	<b>Hornet T7 with Tilt Loaded</b> <b>Includes</b> tilt and factory-installed additional weight kit.	1,910	\$15,710.00
214053	<b>Hornet T7 with Grapple and Tilt</b>	1,565	\$14,800.00
214053L	<b>Hornet T7 with Grapple and Tilt Loaded</b> <b>Includes</b> grapple, tilt, and factory-installed additional weight kit.	2,045	\$16,860.00

## SKID-STEER MOUNT CONT'D

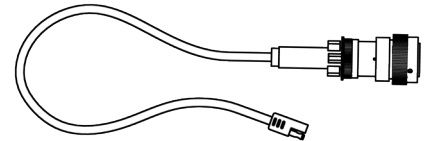
Not for Front-End Loaders

PN	DESCRIPTION	WT.	PRICE
214100	<b>Hornet T8-RR</b> Hydraulic jackhammer style driver drives T-posts up to 8" diameter posts. Domed Driving Tool 8.27" I.D. Integrated post puller. Includes high abrasion resistant hoses and hose fittings with 1/2" flush-face couplers (ISO 16028). (Optional PN 196074R Railroad Tie Driving Tool - see Accessories "G")	1,565	\$10,815.00
214100L	<b>Hornet T8-RR Loaded</b> Includes factory-installed additional weight kit. Increases driving speed up to 50% faster than base unit.	2,176	\$13,435.00
214101	<b>Hornet T8-RR with Grapple</b> Grapple for one-person operation.	1,690	\$11,870.00
214101L	<b>Hornet T8-RR with Grapple Loaded</b> Includes grapple and factory-installed additional weight kit. Increases driving speed up to 50% faster than base unit.	2,295	\$14,490.00
214102	<b>Hornet T8-RR with Tilt</b> Tilt left or right up to 20°. Includes diverter switch and cigarette lighter adapter that connects to a power port or cigarette lighter inside the cab.	1,630	\$14,485.00
214102L	<b>Hornet T8-RR with Tilt Loaded</b> Includes tilt and factory-installed additional weight kit.	2,110	\$16,545.00
214103	<b>Hornet T8-RR with Grapple and Tilt</b>	1,770	\$15,635.00
214103L	<b>Hornet T8-RR with Grapple and Tilt Loaded</b> Includes grapple, tilt, and factory-installed additional weight kit.	2,250	\$17,695.00

## OPTIONAL WIRING HARNESSES

Allow Hornet tilt function operation from vehicle joy stick controls. 12" length.  
Replace cigarette lighter plug on T7 and T8-RR standard harness.

PN	DESCRIPTION	WT.	PRICE
21220-1	<b>Wiring Harness 8-Pin</b> Used on ASV, Caterpillar, Komatsu, Terex	2	\$192.00
21220-2	<b>Wiring Harness 14-pin</b> Used on Bobcat (prior to 1999), Case, JCB, Kubota, New Holland, Takeuchi, Volvo	2	\$192.00
21220-3	<b>Wiring Harness 14-pin Deere</b> Used on John Deere	2	\$192.00
21220-4	<b>Wiring Harness 14-pin Caterpillar</b> Used on Caterpillar	2	\$192.00
21220-5	<b>Wiring Harness 14-pin</b> Used on Bobcat (1999 and current), Gehl	2	\$192.00
*21220-U1	<b>Wiring Harness 8-pin</b> Universal wiring harness. Contacts are crimped on wire but not installed in connector.	2	\$192.00
*21220-U2	<b>Wiring Harness 14-pin</b> Universal wiring harness. Contacts are crimped on wire but not installed in connector.	2	\$192.00

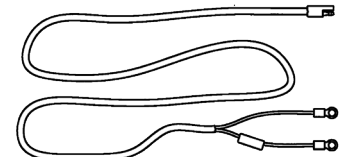


Danuser LLC takes care to ensure the accuracy of the information contained in this price sheet. We assume no liability for errors contained herein. It is the responsibility of the installer to ensure that all of the products are correct before installation. Proper assembly always requires that the installer use all instructions and safety procedures. We assume no liability for any errors made in product selection or installation.

\* Requires connector contacts be installed in a switchable +12 V pin location and ground pin location. Mapping of skid-steer connector pins required.

## BATTERY WIRING HARNESS

PN	DESCRIPTION	WT.	PRICE
21253	<b>Wiring Harness - Battery Connection</b> Connects to vehicle battery to supply power for tilt function. Replaces cigarette lighter plug on T7 or T8-RR standard harness.	2	\$63.00



## BACKHOE & EXCAVATOR MOUNT

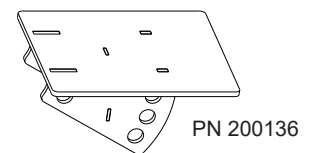
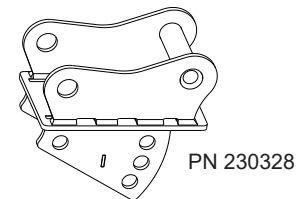
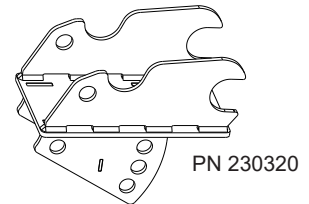
Mounts not included with purchase. See Quick Attach Mounting Kits table below for mounts.

PN	DESCRIPTION	WT.	PRICE
214054	<b>Hornet T7</b> Hydraulic jackhammer style driver drives T-post up to 7" diameter posts. Domed Driving Tool 7.27" I.D. Integrated post puller. Includes high abrasion resistant hoses and hose fittings with 1/2" flush-face couplers (ISO 16028).	990	\$9,000.00
214055	<b>Hornet T7 with Grapple</b> Grapple for one-person operation.	1,110	\$10,150.00
214056	<b>Hornet T7 with Tilt</b> Tilt left or right up to 20°. <b>Includes</b> diverter switch and cigarette lighter adapter that connects to a power port or cigarette lighter inside the cab.	1,135	\$12,030.00
214057	<b>Hornet T7 with Grapple and Tilt</b>	1,260	\$13,210.00
214104	<b>Hornet T8-RR</b> Hydraulic jackhammer style driver drives T-posts up to 8" diameter posts. Domed Driving Tool 8.27" I.D. Integrated post puller. Includes high abrasion resistant hoses and hose fittings with 1/2" flush-face couplers (ISO 16028). (Optional PN 196074R Railroad Tie Driving Tool - see Accessories "G")	1,190	\$9,835.00
214105	<b>Hornet T8-RR with Grapple</b> Grapple for one-person operation.	1,315	\$10,985.00
214106	<b>Hornet T8-RR with Tilt</b> Tilt left or right up to 20°. <b>Includes</b> diverter switch and cigarette lighter adapter that connects to a power port or cigarette lighter inside the cab.	1,345	\$12,895.00
214107	<b>Hornet T8-RR with Grapple and Tilt</b>	1,465	\$14,045.00

## BACKHOE & EXCAVATOR QUICK ATTACH MOUNTING KITS

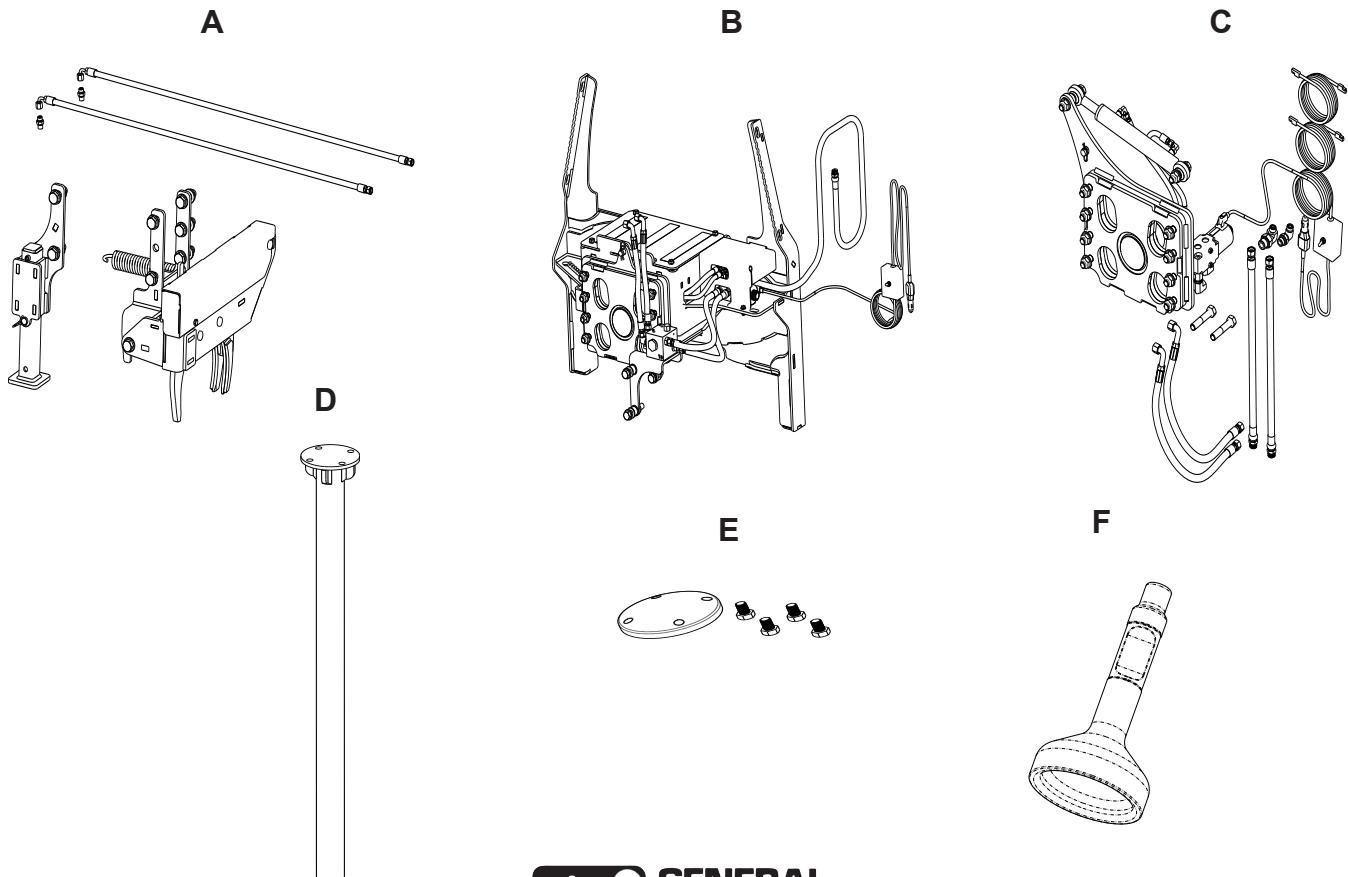
\* USA models only. Will not fit gray market machines.

PN	MAKES & MODELS	WT.	PRICE
200052	BOBCAT X-CHANGE	55	\$495.00
230336	CAT 304E, E2	55	\$295.00
230334	CAT 305.5E, 304C CR	65	\$395.00
200150	CAT 308, 309	80	\$395.00
230332	CAT 420D, 420E (PIN GRABBER)	100	\$695.00
230330	CASE 580 SUPER L SERIES 1&2	100	\$595.00
190029	JD 35G, 35G	55	\$295.00
200050	JD 50D, 50G, 60G (WEDGE)	70	\$395.00
230328	JD 310, 410 (FITS ALL SERIES EXCEPT G)	80	\$395.00
*230320	KUBOTA KX057, U55, U48	80	\$295.00
*200048	KUBOTA KX080	60	\$395.00
*230322	KUBOTA KX161-3, U45	75	\$295.00
*200046	KUBOTA KX040, KX91-3, KX121-3	60	\$295.00
230324	TAG PIN GRAPPER STYLE (QUICK COUPLER)	65	\$395.00
200057	TAG QC27 STYLE (QUICK COUPLER)	55	\$295.00
200060	TAG QC30 STYLE (QUICK COUPLER)	75	\$595.00
230326	TAKEUCHI TB250 (PIN GRABBER)	65	\$395.00
200113	YANMAR VIO45, VIO50, VIO55 (QUICK COUPLER)	70	\$295.00
200136	BLANK UNIVERSAL MOUNT	60	\$215.00



## HORNET SERIES ACCESSORIES

REF.	PN	DESCRIPTION	WT.	PRICE
A	210040	<b>T7 Grapple Kit</b> Grapple for one-person operation, for Hornet T7 models only.	122	\$1,101.00
--	210041	<b>T8-RR Grapple Kit</b> Grapple for one-person operation, for Hornet T8-RR models only.	122	\$1,101.00
B	214200	<b>T7 Skid-Steer Tilt Kit</b> Tilt left or right up to 20°. May be added to T7 Hornet only. Includes diverter switch and cigarette lighter adaptor that connects to a power port or cigarette lighter inside the cab.	675	\$5,680.00
--	214202	<b>T7 Excavator Tilt Kit</b> Tilt left or right up to 20°. May be added to T7 Hornet only. Includes diverter switch and cigarette lighter adaptor that connects to a power port or cigarette lighter inside the cab.	170	\$3,120.00
--	214205	<b>T8-RR Skid-Steer Tilt Kit</b> Tilt left or right up to 20°. May be added to T8-RR Hornet only. Includes diverter switch and cigarette lighter adaptor that connects to a power port or cigarette lighter inside the cab.	675	\$5,680.00
C	214207	<b>T8-RR Excavator Tilt Kit</b> Tilt left or right up to 20°. May be added to T8-RR Hornet only. Includes diverter switch and cigarette lighter adaptor that connects to a power port or cigarette lighter inside the cab.	170	\$3,120.00
D	21149	<b>T-Post Adapter</b> Must be added for driving T-posts. Can only be used with a flat bottom driving tool.	22	\$173.00
E	220011	<b>T-Post Adapter Domed Driving Tool Kit</b> Must be added to PN 21149 for driving T-Posts with a domed driving tool.	5	\$75.00
F	196067F	<b>T7 Flat Driving Tool</b> 7.27" I.D.	59	\$635.00
--	196074F	<b>T8--RR Flat Driving Tool</b> 8.27" I.D.	78	684.00

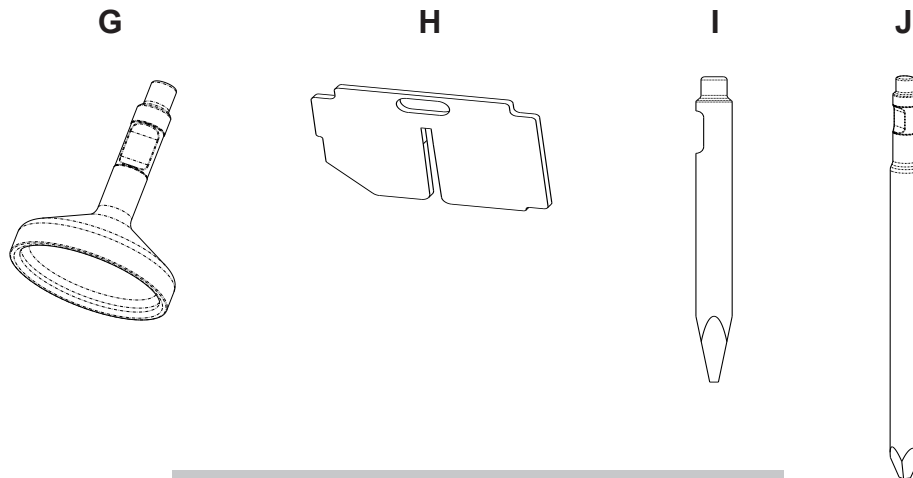




## HORNET SERIES ACCESSORIES CONT'D

\* NOTE: When storing Skid-mounted Hornets, the driving tool must be re-installed

REF.	PN	DESCRIPTION	WT.	PRICE
G	196074R	<b>T8-RR Railroad Tie Flat Driving Tool</b> 12.3" I.D.	138	\$1,494.00
--	196067	<b>T7 Domed Driving Tool</b> 7.27" I.D.	56	\$635.00
--	196074	<b>T8-RR Domed Driving Tool</b> 8.27" I.D.	74	\$684.00
H	200076	<b>Additional Weight Kit - Non-Tilt Hornets</b> Add up to 14 weight plates for reduced vibration and more efficient driving. 1 weight = 44 lb., 14 weights = 616 lb. Increases driving speed up to 50% faster than base unit.	616	\$2,615.00
--	214201	<b>Additional Weight Kit - Tilt Hornets</b> Add up to 11 weight plates for reduced vibration and more efficient driving. 1 weight = 44 lb., 11 weights = 484 lb. Tilt intermediate weldment and additional tilt components (included with Hornet Driver) = 132 lb. Increases driving speed up to 50% faster than base unit.	484	\$2,055.00
I	*236080	<b>T7 Concrete Breaker Tool Kit</b> For use on all versions of T7 Hornets to break rock and reinforced concrete. Tool has amoil style point.	40	\$150.00
--	*236082	<b>T8-RR Concrete Breaker Tool Kit</b> For use on all versions of T8-RR Hornets to break rock and reinforced concrete. Tool has amoil style point.	50	\$175.00
J	*236090	<b>T8-RR Rock Spike</b> For use on all versions of T8-RR Hornets. Use to create pilot holes for wooden posts in rocky areas. Overall length 60".	155	\$655.00



## REPAIR PARTS & SAFETY SIGNS

To find repair parts and safety signs, see Danuser's online Parts Catalog at [parts.danuser.com](http://parts.danuser.com).

The Parts Catalog includes all current attachment parts and decals in a user-friendly, accessible, and portable format.

Be sure to have model and serial number at hand to find the correct items.