

WHEELED TANDEM OFFSET DISCS

ATHENS

MODEL 62



The Model 62 is the ideal Tandem Disk Harrow for those who need to pass through lanes and narrow gates while still providing the performance of wider disks. The Model 62 is available in widths from 7'11" to 12'11" making it the perfect choice for smaller farms, plantations and ranches.



"WE PLOW THE EARTH"

WHEELED TANDEM OFFSET DISCS

MODEL 62 SPECIFICATIONS

WIDTH OF CUT	NUMBER OF DISCS	DISC SPACING		NUMBER OF BEARINGS	*APPROX. DBHP	APPROX. WEIGHT (lbs.)
		FRONT	REAR			
7'11"	20	9"	9"	8	40-50	1,646
8'2"	22	9"	7½"	8	45-55	1,768
	24	7½"	7½"			
9'4"	24	9"	9"	8	50-60	1,874
	26	9"	7½"			
	28	7½"	7½"			
10'6"	30	9"	7½"	8	55-65	2,088
	32	7½"	7½"			
10'9"	28	9"	9"	8	55-65	2,026
12'2"	32	9"	9"	12	65-75	2,336
12'11"	36	9"	7½"	12	70-80	2,526
	40	7½"	7½"			

*Approximate Draw Bar Horse Power is only a guide. Extremely hard, soft, hilly or boggy conditions will change these figures.

STANDARD EQUIPMENT

- Disc Blades, 20" or 22" Diameter
- Relube Quadriseal Ball Bearings
- Rigid Flangette Bearing Hangers
- 1½" Square Cold Rolled Axle
- Hydraulics Complete
- 15", 5 Lug Wheels with Quadriseal Hubs
- Spacing: 7½", 9" or 9" Front & 7½" Rear
- Angle of Cut: 13°, 17° or 21°
- Gang Wrench

OPTIONAL EQUIPMENT

- Scrapers
- Cover Discs
- Balk Buster



The Quadriseal Wheel Hubs

are an exclusive ATHENS PLOW design for increased Bearing life and reduction of downtime. Our QUADRASEAL Wheel Hubs offer maximum protection from dirt and trash by combining a triple lip seal with a press fitted external trash flinger.

www.athensplowcompany.com

Athens Plow Co., Inc. guarantees each piece of equipment against defective materials and workmanship for a period of one year from the date of delivery to the purchaser unless otherwise specified. Athens Plow Co., Inc. reserves the right to make changes and/or improvements in design and construction of parts or machines without notice or obligation.



DISC BLADES

Available in 20 and 22 inch sizes. Athens Plow offers tailored solutions to meet your disking needs.

Smooth blades are best utilized in normal field conditions. They are more economical, wear longer, weigh more than cutout blades, and cut crop residue evenly.

Cutout blades are more aggressive and trap residue better than smooth blades.

FEATURES

FRAME

The Main Frame is constructed of 4"x4" square tubing and 4" structural channel which is trussed braced and reinforced to resist twisting and bending.

GANGS

Rugged 3"x5" gang frame tubes provide rigid support for gang components. Gangs are factory assembled to 750 ft. lbs. and locked securely with slotted nuts.

AXLES

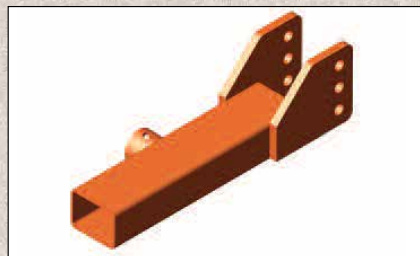
Axles are made from 1½" square cold rolled steel to insure straightness and to keep bearings and discs in alignment.

ANGLE OF CUT

Adjustments from 13° to 21° in 4° increments are made without tools by removing only one pin per gang.

VERSATILITY

The Tongue Clevis height can be adjusted to match the draw-bar height on the Tractor.



WHEELED TANDEM OFFSET DISCS

ATHENS

MODEL 93



The Model 93 is the ideal Disk for smaller farms, plantations, and ranches. This rugged Tandem Disk Harrow is available in widths from 9'4" to 15'3", making it the perfect choice for pasture land renovation, firebreaks, and food-plots.



" WE PLOW THE EARTH "



DISC BLADES

Available in 22 and 24 inch sizes. Athens Plow offers tailored solutions to meet your disking needs.

Smooth blades are best utilized in normal field conditions. They are more economical, wear longer, weigh more than cutout blades, and cut crop residue evenly.

Cutout blades are more aggressive and trap residue better than smooth blades.

WHEELED TANDEM OFFSET DISCS

CUTOUT OR SMOOTH

STANDARD EQUIPMENT

- Disc Blades, 22" or 24"
- Spacing: 9", 7 1/2", or 9" Front and 7 1/2" Rear
- Adjustable Cutting Angle: 15° or 19°
- Relube Quadriseal Ball Bearings
- Rigid Bearing Hangers with Wear Plates
- 1 1/4" Square Cold Rolled Axle
- Tapered Outside Front & Rear Gangs
- Heavy-Duty Scrapers
- Cover Discs with Scrapers
- Self Leveling Frame
- Gang Wrench and Tongue Jack
- Reversible Tongue Clevis
- 15" - 5 Lug Wheel Hubs and Rims
- Dual Wheels on 15' and 15'3"
- Lifting Hydraulics Complete
- Mechanical Transport

OPTIONS

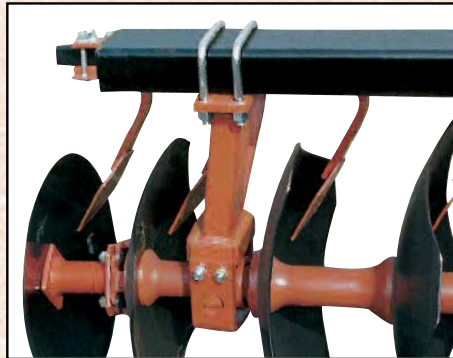
- Dual Wheels on 9' 4" - 14' 1"
- Spring Bearing Hangers with Wear Plates
- Balk Buster

Athens Plow Co., Inc. guarantees each piece of equipment against defective materials and workmanship for a period of one year from the date of delivery to the purchaser unless otherwise specified. Athens Plow Co., Inc. reserves the right to make changes and/or improvements in design and construction of parts or machines without notice or obligation.

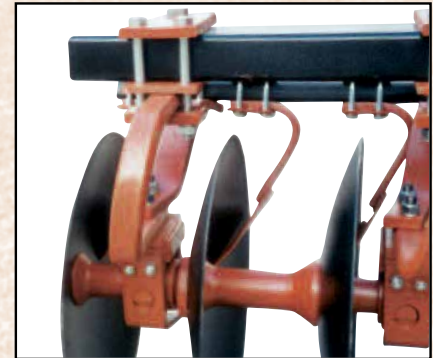
MODEL 93 SPECIFICATIONS

WIDTH OF CUT	NUMBER OF DISCS	NUMBER OF BEARINGS	**APPROX. DBHP	APPROX. WEIGHT (lbs.)
9' 4"	24, 26, 28	8	60 - 75	2,898
10' 6"	28, 30, 32	8	70 - 85	3,123
12' 2"	32	12	85 - 95	3,493
12' 11"	36, 40	12	90 - 100	3,569
13' 6"	36	12	95 - 110	3,707
14' 1"	40, 44	12	100 - 120	3,754
15' 0"	40	16	100 - 125	4,751
15' 3"	44, 48	16	100 - 130	5,642

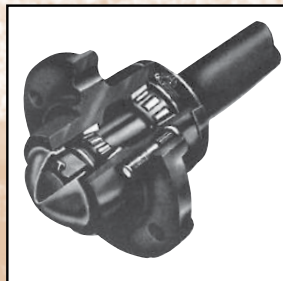
** Approximate Draw Bar Horse Power (DBHP) is only a guide. Extremely hard, soft, hilly or boggy conditions will change these figures.



The **Rigid Bearing Hanger** features a **Wear Plate** that bolts onto the front-side of the Bearing Hanger adding extra protection to the front and bottom of the Bearing Housing.



The **Spring Bearing Hanger** provides maximum strength without sacrificing flexibility. It also features a **Wear Plate** which protects the front and bottom of the Bearing Housing.



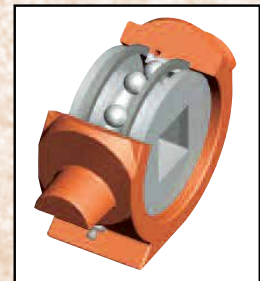
The Quadriseal Wheel Hubs

are an exclusive ATHENS PLOW design for increased Bearing life and reduction of downtime. Our QUADRASEAL Wheel Hubs offer maximum protection from dirt and trash by combining a triple lip seal with a press fitted external trash flinger. The QUADRASEAL Bearings give added bearing life.



The Quadriseal Double Tapered Roller Bearings

provide the most capacity in the industry. With this added capacity, the probability of overloading is virtually eliminated. The double tapered roller bearing has a triple-lip seal that runs on a hardened, polished surface and is protected by a heavy steel washer to avoid damage from wire and trash. Between the washer and the seal is a cavity filled with grease – an additional sealing element against dirt.



Quadriseal Ball Bearings

Strong relube QUADRASEAL ball bearings on the 93 cutout or smooth disc blades mean long life and less downtime.



WHEELED TANDEM OFFSET DISCS

ATHENS

MODEL 153

153



The Model 153 is ideal for smaller farms, plantations and ranches. This heavy-duty Tandem Disc Harrow is available in 9' 6", 11' and 12' 6" widths, making it the perfect choice for pasture land renovation, firebreaks, and wildlife food plots.

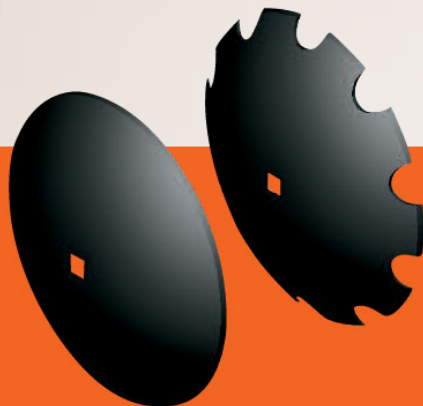


"WE PLOW THE EARTH"

WHEELED TANDEM OFFSET DISCS

STANDARD EQUIPMENT

- 1½" Cold Rolled Square Gang Axle
- Double Tapered Roller Bearings
- Rigid or Spring Bearing Hangers with Wear Guards
- Disc Blades, 24" Diameter C/O or SM
- Disc Spacing, 9½"
- Dual Wheels
- Lifting Hydraulics
- Heavy-Duty Tube Mounted Scrapers
- Cover Discs with Scrapers
- Self-Leveling Frame
- Mechanical Transport
- Reversible Tongue Clevis
- Gang Wrench and Tongue Jack



Disc Blades

Smooth blades are best utilized in normal field conditions. They are more economical, wear longer, weigh more than cutout blades, and cut crop residue evenly.

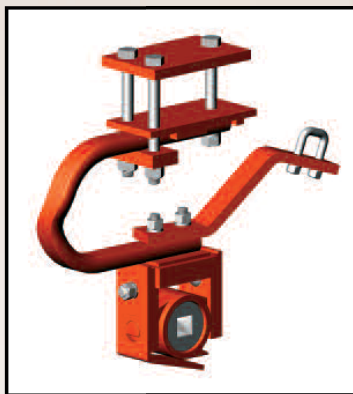
Cutout blades are more aggressive and trap residue better than smooth blades.

Athens Plow Co., Inc. guarantees each piece of equipment against defective materials and workmanship for a period of one year from the date of delivery to the purchaser unless otherwise specified. Athens Plow Co., Inc. reserves the right to make changes and/or improvements in design and construction of parts or machines without notice or obligation.

MODEL 153 SPECIFICATIONS

WIDTH OF CUT	NUMBER OF DISCS	NUMBER OF BEARINGS	*APPROX. DBHP	APPROX. WEIGHT (lbs.)
9' 6"	24	8	75-95	4,295
11' 0"	28	10	85-110	4,643
12' 6"	32	12	100-125	5,290

*Approximate Draw Bar Horse Power (DBHP) is only a guide. Extremely hard, soft, hilly or boggy conditions will change these figures.



The Spring Bearing Hanger on the 153 provides maximum strength without sacrificing flexibility. It also features a **Wear Plate** which protects the front and bottom of the Bearing Housing.



The Rigid Bearing Hanger on the 153 features a **Wear Plate** that bolts onto the front-side of the Bearing Hanger adding extra protection to the front and bottom of the Bearing Housing.



The Quadraseal Double Tapered Roller Bearings

provide the most capacity in the industry. With this added capacity, the probability of overloading is virtually eliminated. The double tapered roller bearing has a triple-lip seal that runs on a hardened, polished surface and is protected by a heavy steel washer to avoid damage from wire and trash. Between the washer and the seal is a cavity filled with grease – an additional sealing element against dirt.

The Quadraseal Wheel Hubs

are an exclusive ATHENS PLOW design for increased Bearing life and reduction of downtime. Our QUADRASEAL Wheel Hubs offer maximum protection from dirt and trash by combining a triple lip seal with a press fitted external trash flinger. The QUADRASEAL Bearings give added bearing life.



WHEELED TANDEM OFFSET DISCS

Prices Effective as of 8-22



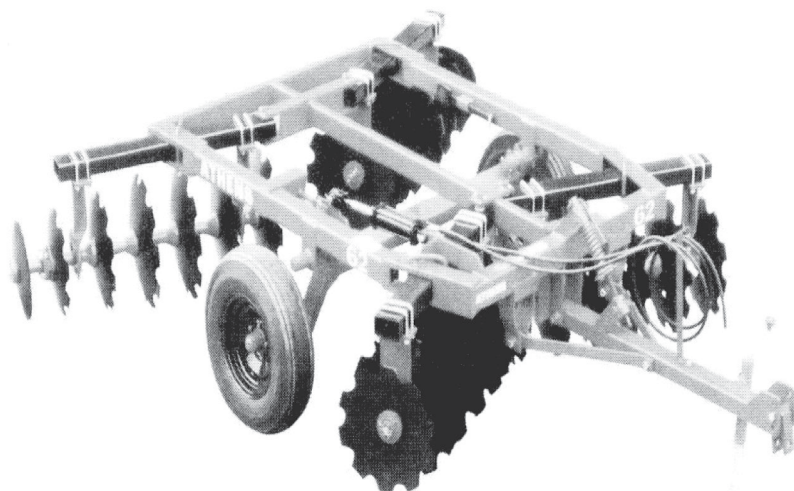
ATHENS 62 WHEEL TANDEM DISK HARROW

SPECIFICATIONS:

Cutting Width – 7’11” to 12’11”
 Spacing – 7 1/2”, 9” or
 9” Front, 7 1/2” Rear
 20” or 22” Disks – Cutout or Smooth
 Heavy Duty Scrapers (Extra Equip.)

STANDARD EQUIPMENT

Heavy – Duty Tongue with Jack
 15”, 5 Lug Whls w/ Hubs
 Tapered Outside Rear Disk Gangs
 1 1/8” Cold Rolled Square Axles
 W/ Wrench
 Adjustable Angle of Cut
 Flangette Bearing Hangers
 Relube Ball Bearings
 Lifting Hydraulics



MODEL NUMBER	DISK DIAM	TYPE OF DISK FRNT REAR	DISK THCK	# OF DISK	DISK SPACING FRNT REAR	# OF BRGS	APX WT	SUGST PRICE
<u>7’11” WIDE</u>								
062-2022-221	20”	C.O. C.O.	.138	20	9” 9”	8	1584	\$7,671.60
062-2022-641	22”	C.O. C.O.	.177	20	9” 9”	8	1643	\$8,076
062-2022-321	20”	SM. SM.	.138	20	9” 9”	8	1591	\$7,527.60
062-2022-741	22”	SM. SM.	.177	20	9” 9”	8	1646	\$7,887.60
062-2022-521	20”	C.O. SM.	.138	20	9” 9”	8	1588	\$7,615.20
062-2022-841	22”	C.O. SM.	.177	20	9” 9”	8	1645	\$7,983.60
<u>8’2” WIDE</u>								
062-2232-221	20”	C.O. C.O.	.138	22	9” 7-1/2”	8	1613	\$7,872
062-2232-641	22”	C.O. C.O.	.177	22	9” 7-1/2”	8	1680	\$8,312.40
062-2232-321	20”	SM. SM.	.138	22	9” 7-1/2”	8	1620	\$7,718.40
062-2232-741	22”	SM. SM.	.177	22	9” 7-1/2”	8	1682	\$8,109.60
062-2232-521	20”	C.O. SM.	.138	22	9” 7-1/2”	8	1617	\$7,808.40
062-2232-841	22”	C.O. SM.	.177	22	9” 7-1/2”	8	1682	\$8,205.60
062-2412-221	20”	C.O. C.O.	.138	24	7-1/2” 7-1/2”	8	1647	\$8,076
062-2412-641	22”	C.O. C.O.	.177	24	7-1/2” 7-1/2”	8	1741	\$8,556
062-2412-321	20”	SM. SM.	.138	24	7-1/2” 7-1/2”	8	1666	\$7,898.40
062-2412-741	22”	SM. SM.	.177	24	7-1/2” 7-1/2”	8	1768	\$8,322
062-2412-521	20”	C.O. SM.	.138	24	7-1/2” 7-1/2”	8	1655	\$8,070
062-2412-841	22”	C.O. SM.	.177	24	7-1/2” 7-1/2”	8	1754	\$8,593.20



Prices and Specifications may be subject to change without notice. Prices do not include shipping or setup.

WHEELED TANDEM OFFSET DISCS

Prices Effective as of 8-22



<u>MODEL NUMBER</u>	<u>DISK DIAM</u>	<u>TYPE OF DISK</u>		<u>DISK THCK</u>	<u># OF DISK</u>	<u>DISK SPACING</u>		<u># OF BRGS</u>	<u>APX WT</u>	<u>SUGST PRICE</u>
		FRNT	REAR			FRNT	REAR			
<u>9'4" WIDE</u>										
062-2422-221	20"	C.O.	C.O.	.138	24	9"	9"	8	1695	\$8,044.80
062-2422-641	22"	C.O.	C.O.	.177	24	9"	9"	8	1789	\$8,500.80
062-2422-321	20"	SM.	SM.	.138	24	9"	9"	8	1714	\$7,872
062-2422-741	22"	SM.	SM.	.177	24	9"	9"	8	1816	\$8,306.40
062-2422-521	20"	C.O.	SM.	.138	24	9"	9"	8	1703	\$7,942.80
062-2422-841	22"	C.O.	SM.	.177	24	9"	9"	8	1802	\$8,421.60
062-2632-221	20"	C.O.	C.O.	.138	26	9"	7-1/2"	8	1710	\$8,248.80
062-2632-641	22"	C.O.	C.O.	.177	26	9"	7-1/2"	8	1824	\$8,775.60
062-2632-321	20"	SM.	SM.	.138	26	9"	7-1/2"	8	1741	\$8,055.60
062-2632-741	22"	SM.	SM.	.177	26	9"	7-1/2"	8	1853	\$8,530.80
062-2632-521	20"	C.O.	SM.	.138	26	9"	7-1/2"	8	1730	\$8,157.60
062-2632-841	22"	C.O.	SM.	.177	26	9"	7-1/2"	8	1839	\$8,643.60
062-2812-221	20"	C.O.	C.O.	.138	28	7-1/2"	7-1/2"	8	1744	\$8,448
062-2812-641	22"	C.O.	C.O.	.177	28	7-1/2"	7-1/2"	8	1858	\$9,015.60
062-2812-321	20"	SM.	SM.	.138	28	7-1/2"	7-1/2"	8	1768	\$8,238
062-2812-741	22"	SM.	SM.	.177	28	7-1/2"	7-1/2"	8	1800	\$8,744.40
062-2812-521	20"	C.O.	SM.	.138	28	7-1/2"	7-1/2"	8	1755	\$8,359.20
062-2812-841	22"	C.O.	SM.	.177	28	7-1/2"	7-1/2"	8	1874	\$8,886
<u>10'6" WIDE</u>										
062-3032-221	20"	C.O.	C.O.	.138	30	9"	7-1/2"	8	1899	\$9,069.60
062-3032-641	22"	C.O.	C.O.	.177	30	9"	7-1/2"	8	2023	\$9,680.40
062-3032-321	20"	SM.	SM.	.138	30	9"	7-1/2"	8	1924	\$8,841.60
062-3032-741	22"	SM.	SM.	.177	30	9"	7-1/2"	8	2057	\$9,452.40
062-3032-521	20"	C.O.	SM.	.138	30	9"	7-1/2"	8	1911	\$8,958
062-3032-841	22"	C.O.	SM.	.177	30	9"	7-1/2"	8	2041	\$9,529.20
062-3212-221	20"	C.O.	C.O.	.138	32	7-1/2"	7-1/2"	8	1917	\$9,252
062-3212-641	22"	C.O.	C.O.	.177	32	7-1/2"	7-1/2"	8	2051	\$10,136.40
062-3212-321	20"	SM.	SM.	.138	32	7-1/2"	7-1/2"	8	1945	\$9,153.60
062-3212-741	22"	SM.	SM.	.177	32	7-1/2"	7-1/2"	8	2088	\$9,598.80
062-3212-521	20"	C.O.	SM.	.138	32	7-1/2"	7-1/2"	8	1930	\$9,147.60
062-3212-841	22"	C.O.	SM.	.177	32	7-1/2"	7-1/2"	8	2069	\$9,760.80
<u>10'9" WIDE</u>										
062-2822-221	20"	C.O.	C.O.	.138	28	9"	9"	8	1880	\$8,868
062-2822-641	22"	C.O.	C.O.	.177	28	9"	9"	8	1995	\$9,488.40
062-2822-321	20"	SM.	SM.	.138	28	9"	9"	8	1905	\$8,667.60



Prices and Specifications may be subject to change without notice. Prices do not include shipping or setup.

WHEELED TANDEM OFFSET DISCS

Prices Effective as of 8-22



MODEL NUMBER	DISK DIAM	TYPE OF DISK		DISK THCK	# OF DISK	DISK SPACING		# OF BRGS	APX WT	SUGST PRICE
		FRNT	REAR			FRNT	REAR			
<u>10'9" WIDE(cont)</u>										
062-2822-741	22"	SM.	SM.	.177	28	9"	9"	8	2026	\$9,168
062-2822-521	20"	C.O.	SM.	.138	28	9"	9"	8	1891	\$8,775.60
062-2822-841	22"	C.O.	SM.	.177	28	9"	9"	8	2010	\$9,312
<u>12'2" WIDE</u>										
062-3222-221	20"	C.O.	C.O.	.138	32	9"	9"	12	2166	\$10,189.20
062-3222-641	22"	C.O.	C.O.	.177	32	9"	9"	12	2300	\$10,854
062-3222-321	20"	SM.	SM.	.138	32	9"	9"	12	2184	\$9,968.40
062-3222-741	22"	SM.	SM.	.177	32	9"	9"	12	2336	\$10,548
062-3222-521	20"	C.O.	SM.	.138	32	9"	9"	12	2178	\$10,088.40
062-3222-841	22"	C.O.	SM.	.177	32	9"	9"	12	2317	\$10,707.60
<u>12'11" WIDE</u>										
062-3632-221	20"	C.O.	C.O.	.138	36	9"	7-1/2"	12	2223	\$10,575.60
062-3632-641	22"	C.O.	C.O.	.177	36	9"	7-1/2"	12	2377	\$11,308.80
062-3632-321	20"	SM.	SM.	.138	36	9"	7-1/2"	12	2354	\$10,309.20
062-3632-741	22"	SM.	SM.	.177	36	9"	7-1/2"	12	2418	\$10,966.80
062-3632-521	20"	C.O.	SM.	.138	36	9"	7-1/2"	12	2339	\$10,438.80
062-3632-841	22"	C.O.	SM.	.177	36	9"	7-1/2"	12	2399	\$11,134.80
062-4012-221	20"	C.O.	C.O.	.138	40	7-1/2"	7-1/2"	12	2281	\$10,966.80
062-4012-641	22"	C.O.	C.O.	.177	40	7-1/2"	7-1/2"	12	2454	\$11,778
062-4012-321	20"	SM.	SM.	.138	40	7-1/2"	7-1/2"	12	2315	\$10,658.40
062-4012-741	22"	SM.	SM.	.177	40	7-1/2"	7-1/2"	12	2526	\$11,397.60
062-4012-521	20"	C.O.	SM.	.138	40	7-1/2"	7-1/2"	12	2297	\$10,830
062-4012-841	22"	C.O.	SM.	.177	40	7-1/2"	7-1/2"	12	2476	\$11,592

EXTRA EQUIPMENT		WIDTH	SPACING	APX WT	SUGST PRICE
9-062-920220	SCRAPERS	7'11"	9"	177#	\$576
9-062-922320	SCRAPERS	8'2"	9"F7-1/2"R	196#	\$610.80
9-062-924120	SCRAPERS	8'2"	7-1/2"	208#	\$655.20
9-062-924220	SCRAPERS	9'4"	9"	214#	\$655.20
9-062-926320	SCRAPERS	9'4"	9"F7-1/2"R	231#	\$676.80
9-062-928120	SCRAPERS	9'4"	7-1/2"	250#	\$724.80
9-062-932120	SCRAPERS	10'6"	7-1/2"	296#	\$794.40
9-062-928220	SCRAPERS	10'9"	9"	263#	\$720
9-062-930320	SCRAPERS	10'6"	9"F7-1/2"R	278#	\$766.80
9-062-932220	SCRAPERS	12'2"	9"	305#	\$840
9-062-936320	SCRAPERS	12'11"	9"F7-1/2"R	337#	\$914.40
9-062-940120	SCRAPERS	12'11"	7-1/2"	367#	\$988.80



Prices and Specifications may be subject to change without notice. Prices do not include shipping or setup.

WHEELED TANDEM OFFSET DISCS

Prices Effective as of 8-22



<u>EXTRA EQUIPMENT</u>		<u>APX</u> <u>WT</u>	<u>SUGST</u> <u>PRICE</u>
9-062-800000	BALK BUSTER	38#	\$235.20
9-062-700016	COVER DISK W/O SCRAPERS W/16" DISK	34#	\$212.40
9-062-709016	COVER DISK W/SCRAPERS W/16" DISK	43#	\$250.80

PRICE DOES NOT INCLUDE TIRES



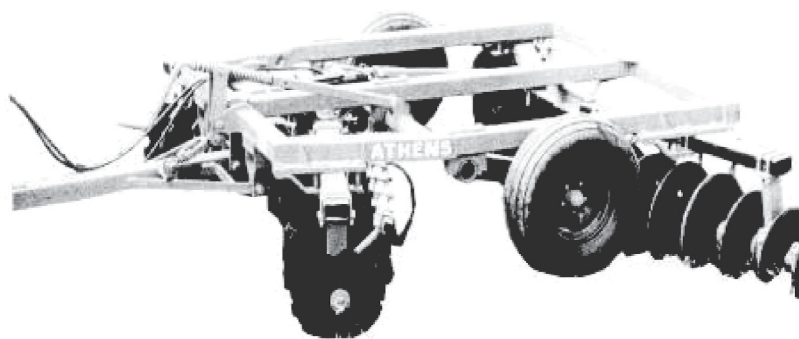
Prices and Specifications may be subject to change without notice. Prices do not include shipping or setup.

WHEELED TANDEM OFFSET DISCS

Prices Effective as of 8-22



ATHENS 93 WHEEL TANDEM DISK HARROW



SPECIFICATIONS:

Cutting Width – 9’4” to 15’3”
Disk Spacing – 7-1/2”, 9” or
9” Frt, 7-1/2” Rear
22” or 24” Disks- Cutout or Smooth

STANDARD EQUIPMENT:

Reversible Clevis Hitch
Heavy – Duty Tongue w/ Jack
1 ¼” Cold Rolled Sq. Axles
W/Wrench
Tapered Outside Rear and
Front Gangs
Heavy – Duty Scrapers
Cover Disk w/ Scraper
15”, 5 Lug Wheels w/QUADRASEAL
Wheel Hubs
Mechanical Transport
Adjustable Angle of Cut
Relube QUADRASEAL Ball Bearings
Lifting Hydraulics

MODEL NUMBER	DISK DIAM	TYPE OF DISK FRNT REAR	DISK THCK	# OF DISK	DISK SPACING FRNT REAR	# OF BRGS	APX WT	SUGST PRICE
<u>9’4” WIDE</u>								
093-2427-631	22”	C.O. C.O.	.157	24	9” 9”	8	2733	\$ 12,883.20
093-2427-651	22”	C.O. C.O.	.197	24	9” 9”	8	2805	\$ 13,210.80
093-2427-661	24”	C.O. C.O.	.197	24	9” 9”	8	2867	\$14,226
093-2427-731	22”	SM. SM.	.157	24	9” 9”	8	2763	\$12,591.60
093-2427-751	22”	SM. SM.	.197	24	9” 9”	8	2835	\$13,500
093-2427-761	24”	SM. SM.	.197	24	9” 9”	8	2898	\$14,084.40
093-2427-831	22”	C.O. SM.	.157	24	9” 9”	8	2748	\$12,748.80
093-2427-851	22”	C.O. SM.	.197	24	9” 9”	8	2820	\$13,074
093-2427-861	24”	C.O. SM.	.197	24	9” 9”	8	2883	\$14,132.40
093-2637-631	22”	C.O. C.O.	.157	26	9” 7-1/2”	8	2789	\$13,237.20
093-2637-651	22”	C.O. C.O.	.197	26	9” 7-1/2”	8	2867	\$13,588.80
093-2637-731	22”	SM. SM.	.157	26	9” 7-1/2”	8	2820	\$12,942
093-2637-751	22”	SM. SM.	.197	26	9” 7-1/2”	8	2898	\$13,036.80
093-2637-831	22”	C.O. SM.	.157	26	9” 7-1/2”	8	2805	\$13,104
093-2637-851	22”	C.O. SM.	.197	26	9” 7-1/2”	8	2883	\$13,200
093-2817-631	22”	C.O. C.O.	.157	28	7-1/2” 7-1/2”	8	2848	\$14,160
093-2817-651	22”	C.O. C.O.	.197	28	7-1/2” 7-1/2”	8	2932	\$14,160
093-2817-731	22”	SM. SM.	.157	28	7-1/2” 7-1/2”	8	2882	\$13,809.60
093-2817-751	22”	SM. SM.	.197	28	7-1/2” 7-1/2”	8	2966	\$14,187.60
093-2817-831	22”	C.O. SM.	.157	28	7-1/2” 7-1/2”	8	2865	\$13,993.20
093-2817-851	22”	C.O. SM.	.197	28	7-1/2” 7-1/2”	8	2949	\$14,367.60



Prices and Specifications may be subject to change without notice. Prices do not include shipping or setup.

WHEELED TANDEM OFFSET DISCS

Prices Effective as of 8-22



MODEL NUMBER	DISK DIAM	TYPE OF DISK		DISK THCK	# OF DISK	DISK SPACING		# OF BRGS	APX WT	SUGST PRICE
		FRNT	REAR			FRNT	REAR			
<u>10'6" WIDE</u>										
093-3037-631	22"	C.O.	C.O.	.157	30	9"	7-1/2"	8	2983	\$14,095.20
093-3037-651	22"	C.O.	C.O.	.197	30	9"	7-1/2"	8	3073	\$14,496
093-3037-731	22"	SM.	SM.	.157	30	9"	7-1/2"	8	3019	\$13,725
093-3037-751	22"	SM.	SM.	.197	30	9"	7-1/2"	8	3109	\$14,130
093-3037-831	22"	C.O.	SM.	.157	30	9"	7-1/2"	8	3002	\$13,902
093-3037-851	22"	C.O.	SM.	.197	30	9"	7-1/2"	8	3092	\$14,306.40
093-3217-631	22"	C.O.	C.O.	.157	32	7-1/2"	7-1/2"	8	3040	\$14,432.40
093-3217-651	22"	C.O.	C.O.	.197	32	7-1/2"	7-1/2"	8	3136	\$14,175.60
093-3217-731	22"	SM.	SM.	.157	32	7-1/2"	7-1/2"	8	3078	\$14,044.80
093-3217-751	22"	SM.	SM.	.197	32	7-1/2"	7-1/2"	8	3174	\$14,474.40
093-3217-831	22"	C.O.	SM.	.157	32	7-1/2"	7-1/2"	8	3059	\$14,246.40
093-3217-851	22"	C.O.	SM.	.197	32	7-1/2"	7-1/2"	8	3155	\$14,674.80
093-2827-631	22"	C.O.	C.O.	.157	28	9"	9"	8	2927	\$ 13,758
093-2827-651	22"	C.O.	C.O.	.197	28	9"	9"	8	3011	\$ 14,133.60
093-2827-661	24"	C.O.	C.O.	.197	28	9"	9"	8	3087	\$ 15,279.60
093-2827-731	22"	SM.	SM.	.157	28	9"	9"	8	2961	\$13,417.20
093-2827-751	22"	SM.	SM.	.197	28	9"	9"	8	3045	\$13,795.20
093-2827-761	24"	SM.	SM.	.197	28	9"	9"	8	3123	\$14,670
093-2827-831	22"	C.O.	SM.	.157	28	9"	9"	8	2944	\$ 13,591.20
093-2827-851	22"	C.O.	SM.	.197	28	9"	9"	8	3028	\$ 13,965.60
093-2827-861	24"	C.O.	SM.	.197	28	9"	9"	8	3105	\$ 15,165.60
<u>12'2" WIDE</u>										
093-3227-631	22"	C.O.	C.O.	.157	32	9"	9"	12	3267	\$ 15,733.20
093-3227-651	22"	C.O.	C.O.	.197	32	9"	9"	12	3363	\$ 16,164
093-3227-661	24"	C.O.	C.O.	.197	32	9"	9"	12	3452	\$ 17,497.20
093-3227-731	22"	SM.	SM.	.157	32	9"	9"	12	3305	\$15,176.40
093-3227-751	22"	SM.	SM.	.197	32	9"	9"	12	3401	\$15,608.40
093-3227-761	24"	SM.	SM.	.197	32	9"	9"	12	3493	\$17,254.80
093-3227-831	22"	C.O.	SM.	.157	32	9"	9"	12	3286	\$15,550.80
093-3227-851	22"	C.O.	SM.	.197	32	9"	9"	12	3382	\$15,980.40
093-3227-861	24"	C.O.	SM.	.197	32	9"	9"	12	3473	\$17,350.80



Prices and Specifications may be subject to change without notice. Prices do not include shipping or setup.

WHEELED TANDEM OFFSET DISCS

Prices Effective as of 8-22



MODEL NUMBER	DISK DIAM	TYPE OF DISK		DISK THCK	# OF DISK	DISK SPACING		# OF BRGS	APX WT	SUGST PRICE
		FRNT	REAR			FRNT	REAR			
<u>12'11" WIDE</u>										
093-3637-631	22"	C.O.	C.O.	.157	36	9"	7-1/2"	12	3345	\$16,446
093-3637-651	22"	C.O.	C.O.	.197	36	9"	7-1/2"	12	3453	\$16,928.40
093-3637-731	22"	SM.	SM.	.157	36	9"	7-1/2"	12	3388	\$15,996
093-3637-751	22"	SM.	SM.	.197	36	9"	7-1/2"	12	3496	\$16,480.80
093-3637-831	22"	C.O.	SM.	.157	36	9"	7-1/2"	12	3369	\$16,203.60
093-3637-851	22"	C.O.	SM.	.197	36	9"	7-1/2"	12	3477	\$16,687.20
093-4017-631	22"	C.O.	C.O.	.157	40	7-1/2"	7-1/2"	12	3521	\$17,142
093-4017-651	22"	C.O.	C.O.	.197	40	7-1/2"	7-1/2"	12	3641	\$17,680.80
093-4017-731	22"	SM.	SM.	.157	40	7-1/2"	7-1/2"	12	3569	\$16,640.40
093-4017-751	22"	SM.	SM.	.197	40	7-1/2"	7-1/2"	12	3689	\$17,181.60
093-4017-831	22"	C.O.	SM.	.157	40	7-1/2"	7-1/2"	12	3545	\$16,904.40
093-4017-851	22"	C.O.	SM.	.197	40	7-1/2"	7-1/2"	12	3665	\$17,439.60
<u>13'6" WIDE</u>										
093-3627-631	22"	C.O.	C.O.	.157	36	9"	9"	12	3548	\$17,350.80
093-3627-651	22"	C.O.	C.O.	.197	36	9"	9"	12	3656	\$17,838
093-3627-661	24"	C.O.	C.O.	.197	36	9"	9"	12	3759	\$19,300.80
093-3627-731	22"	SM.	SM.	.157	36	9"	9"	12	3591	\$16,908
093-3627-751	22"	SM.	SM.	.197	36	9"	9"	12	3699	\$17,394
093-3627-761	24"	SM.	SM.	.197	36	9"	9"	12	3805	\$19,006.80
093-3627-831	22"	C.O.	SM.	.157	36	9"	9"	12	3569	\$17,141
093-3627-851	22"	C.O.	SM.	.197	36	9"	9"	12	3677	\$17,623.20
093-3627-861	24"	C.O.	SM.	.197	36	9"	9"	12	3783	\$19,132.80
<u>14'1" WIDE</u>										
093-4037-631	22"	C.O.	C.O.	.157	40	9"	7-1/2"	12	3672	\$18,054
093-4037-651	22"	C.O.	C.O.	.197	40	9"	7-1/2"	12	3792	\$18,591.60
093-4037-731	22"	SM.	SM.	.157	40	9"	7-1/2"	12	3720	\$17,556
093-4037-751	22"	SM.	SM.	.197	40	9"	7-1/2"	12	3840	\$18,099.603
093-4037-831	22"	C.O.	SM.	.157	40	9"	7-1/2"	12	3698	\$17,784
093-4037-851	22"	C.O.	SM.	.197	40	9"	7-1/2"	12	3818	\$18,320.40
093-4417-631	22"	C.O.	C.O.	.157	44	7-1/2"	7-1/2"	12	3798	\$18,762
093-4417-651	22"	C.O.	C.O.	.197	44	7-1/2"	7-1/2"	12	3930	\$19,352.40
093-4417-731	22"	SM.	SM.	.157	44	7-1/2"	7-1/2"	12	3852	\$18,205.20
093-4417-751	22"	SM.	SM.	.197	44	7-1/2"	7-1/2"	12	3984	\$18,799.20
093-4417-831	22"	C.O.	SM.	.157	44	7-1/2"	7-1/2"	12	3826	\$18,489.60
093-4417-851	22"	C.O.	SM.	.197	44	7-1/2"	7-1/2"	12	3958	\$19,080



Prices and Specifications may be subject to change without notice. Prices do not include shipping or setup.

WHEELED TANDEM OFFSET DISCS

Prices Effective as of 8-22



MODEL NUMBER	DISK DIAM	TYPE OF DISK		DISK THCK	# OF DISK	DISK SPACING		# OF BRGS	APX WT	SUGST PRICE
		FRNT	REAR			FRNT	REAR			
<u>15'0" WIDE</u>										
093-4027-631	22"	C.O.	C.O.	.157	40	9"	9"	16	4462	\$19,292.40
093-4027-651	22"	C.O.	C.O.	.197	40	9"	9"	16	4582	\$19,830
093-4027-661	24"	C.O.	C.O.	.197	40	9"	9"	16	4700	\$21,499.20
093-4027-731	22"	SM.	SM.	.157	40	9"	9"	16	4510	\$18,788.40
093-4027-751	22"	SM.	SM.	.197	40	9"	9"	16	4630	\$19,324.80
093-4027-761	24"	SM.	SM.	.197	40	9"	9"	16	4751	\$21,156
093-4027-831	22"	C.O.	SM.	.157	40	9"	9"	16	4486	\$19,044
093-4027-851	22"	C.O.	SM.	.197	40	9"	9"	16	4606	\$19,584
093-4027-861	24"	C.O.	SM.	.197	40	9"	9"	16	4727	\$21,309.60
<u>15'3" WIDE</u>										
093-4437-631	22"	C.O.	C.O.	.157	44	9"	7-1/2"	16	4589	\$19,980
093-4437-651	22"	C.O.	C.O.	.197	44	9"	7-1/2"	16	4721	\$20,574
093-4437-731	22"	SM.	SM.	.157	44	9"	7-1/2"	16	4209	\$19,431.60
093-4437-751	22"	SM.	SM.	.197	44	9"	7-1/2"	16	4341	\$20,028
093-4437-831	22"	C.O.	SM.	.157	44	9"	7-1/2"	16	4618	\$19,689.60
093-4437-851	22"	C.O.	SM.	.197	44	9"	7-1/2"	16	4750	\$20,283.60
093-4817-631	22"	C.O.	C.O.	.157	48	7-1/2"	7-1/2"	16	4709	\$20,676
093-4817-651	22"	C.O.	C.O.	.197	48	7-1/2"	7-1/2"	16	4853	\$21,319.20
093-4817-731	22"	SM.	SM.	.157	48	7-1/2"	7-1/2"	16	4767	\$20,064
093-4817-751	22"	SM.	SM.	.197	48	7-1/2"	7-1/2"	16	4911	\$20,712
093-4817-831	22"	C.O.	SM.	.157	48	7-1/2"	7-1/2"	16	4738	\$20,376
093-4817-851	22"	C.O.	SM.	.197	48	7-1/2"	7-1/2"	16	4882	\$21,022.80

<u>EXTRA EQUIPMENT</u>		APX WT	SUGST PRICE
9-093-605156	DUAL WHEELS COMPLETE W/ HUBS, 15 X6, 5 LUG WHEELS, & HARDWARE (DUAL WHEELS STANDARD ON 13'6" TO 15'3" MODELS)	98#	\$772.80
9-093-800000	BALK BUSTER (CENTER TOOTH)	34#	\$261.60

RECOMMENDED TIRE SIZE: 9.5L X 15, 4 PLY (2 OR 4 REQUIRED).

CAUTION: TIRES ARE RATED AT 20 MPH MAXIMUM.

SPECIAL ORDERING INTRUCTIONS:

FOR SPRING BEARING HANGERS:

Change 7th digit to 8 and 10th digit to S
 With 22" 6 gauge (.197) blades add 48# and \$114.00 per bearing. With 24" Blades: Add 48# and \$114.00 per bearing

***PRICE DOES NOT INCLUDE TIRES**



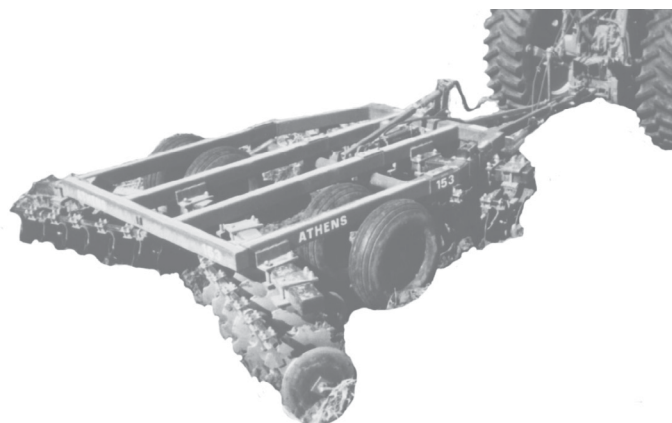
Prices and Specifications may be subject to change without notice. Prices do not include shipping or setup.

WHEELED TANDEM OFFSET DISCS

Prices Effective as of 8-22



ATHENS 153 TANDEM DISK HARROW



SPECIFICATIONS:

Cutting Width 9'6", 11', and 12'6"
Disc Spacing – 9 ½"
Disc Diameter – 24" Cutout or Smooth
Rigid or Spring Bearing Hangers
1 ½" Cold Rolled Square Axles

STANDARD EQUIPMENT:

Double Tapered Roller Bearings
Dual Wheels
Hydraulic Lifting
Heavy Duty Scrapers (Tubular Mount)
Cover Disc with Scraper
Tapered Discs on Front & Rear Gangs
Self-Leveling
Reversible Balanced Clevis

MODEL NUMBER	DISK DIAM	TYPE OF DISK		DISK THCK	# OF DISK	DISK SPACING		# OF BRGS	APX WT	SUGST PRICE
		FRNT	REAR			FRNT	REAR			
<u>9'6" WIDE</u>										
<u>RIGID BEARING HANGERS</u>										
153-2445-651	24"	C.O.	C.O.	.256	24	9 ½"	9 ½"	8	4133	\$18,616.80
153-2445-751	24"	SM.	SM.	.256	24	9 ½"	9 ½"	8	4174	\$18,472.80
153-2445-851	24"	C.O.	SM.	.256	24	9 ½"	9 ½"	8	4153	\$18,546
<u>SPRING BEARING HANGERS</u>										
153-2444-651	24"	C.O.	C.O.	.256	24	9 ½"	9 ½"	8	4417	\$19,194
153-2444-751	24"	SM.	SM.	.256	24	9 ½"	9 ½"	8	4458	\$19,048.80
153-2444-851	24"	C.O.	SM.	.256	24	9 ½"	9 ½"	8	4437	\$19,120.80
<u>11'0" WIDE</u>										
<u>RIGID BEARING HANGERS</u>										
153-2845-651	24"	C.O.	C.O.	.256	28	9 ½"	9 ½"	10	4604	\$20,166
153-2845-751	24"	SM.	SM.	.256	28	9 ½"	9 ½"	10	4651	\$19,984.80
153-2845-851	24"	C.O.	SM.	.256	28	9 ½"	9 ½"	10	4628	\$20,076
<u>SPRING BEARING HANGERS</u>										
153-2844-651	24"	C.O.	C.O.	.256	28	9 ½"	9 ½"	10	4861	\$21,730.80
153-2844-751	24"	SM.	SM.	.256	28	9 ½"	9 ½"	10	4908	\$21,543.60
153-2844-851	24"	C.O.	SM.	.256	28	9 ½"	9 ½"	10	4885	\$21,634.80
<u>12'6" WIDE</u>										
<u>RIGID BEARING HANGERS</u>										
153-3245-651	24"	C.O.	C.O.	.256	32	9 ½"	9 ½"	12	5050	\$21,924
153-3245-751	24"	SM.	SM.	.256	32	9 ½"	9 ½"	12	5104	\$21,543.60
153-3245-851	24"	C.O.	SM.	.256	32	9 ½"	9 ½"	12	5078	\$21,634.80
<u>SPRING BEARING HANGERS</u>										
153-3244-651	24"	C.O.	C.O.	.256	32	9 ½"	9 ½"	12	5476	\$23,875.20
153-3244-751	24"	SM.	SM.	.256	32	9 ½"	9 ½"	12	5530	\$23,592
153-3244-851	24"	C.O.	SM.	.256	32	9 ½"	9 ½"	12	5504	\$23,733.60

RECOMMENDED TIRE SIZE : 9.5L X 15 (4 REQUIRED)

CAUTION: TIRES ARE RATED AT 20 MPH MAXIMUM.

NOTE: PRICE DOES NOT INCLUDE TIRES



Prices and Specifications may be subject to change without notice. Prices do not include shipping or setup.